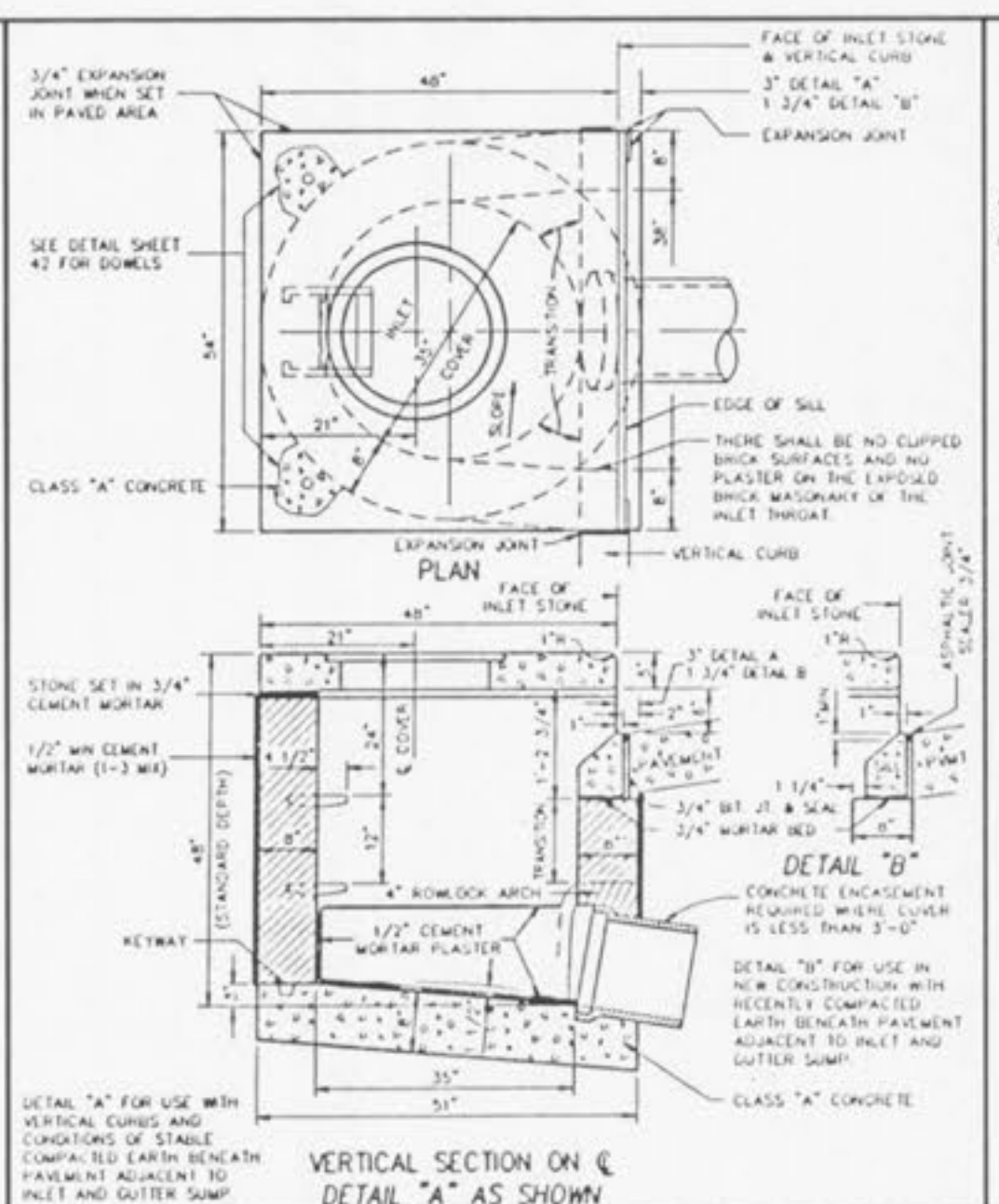
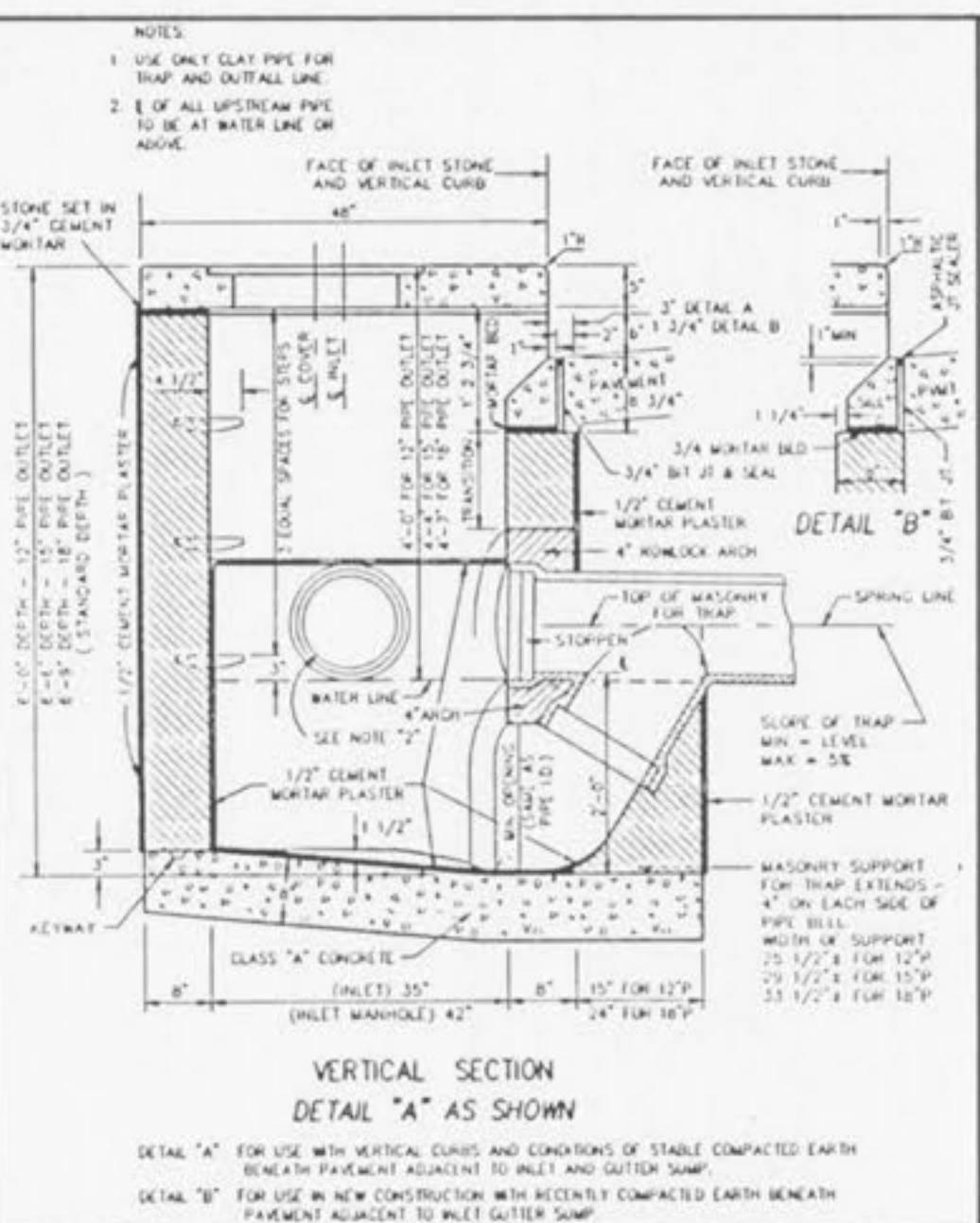


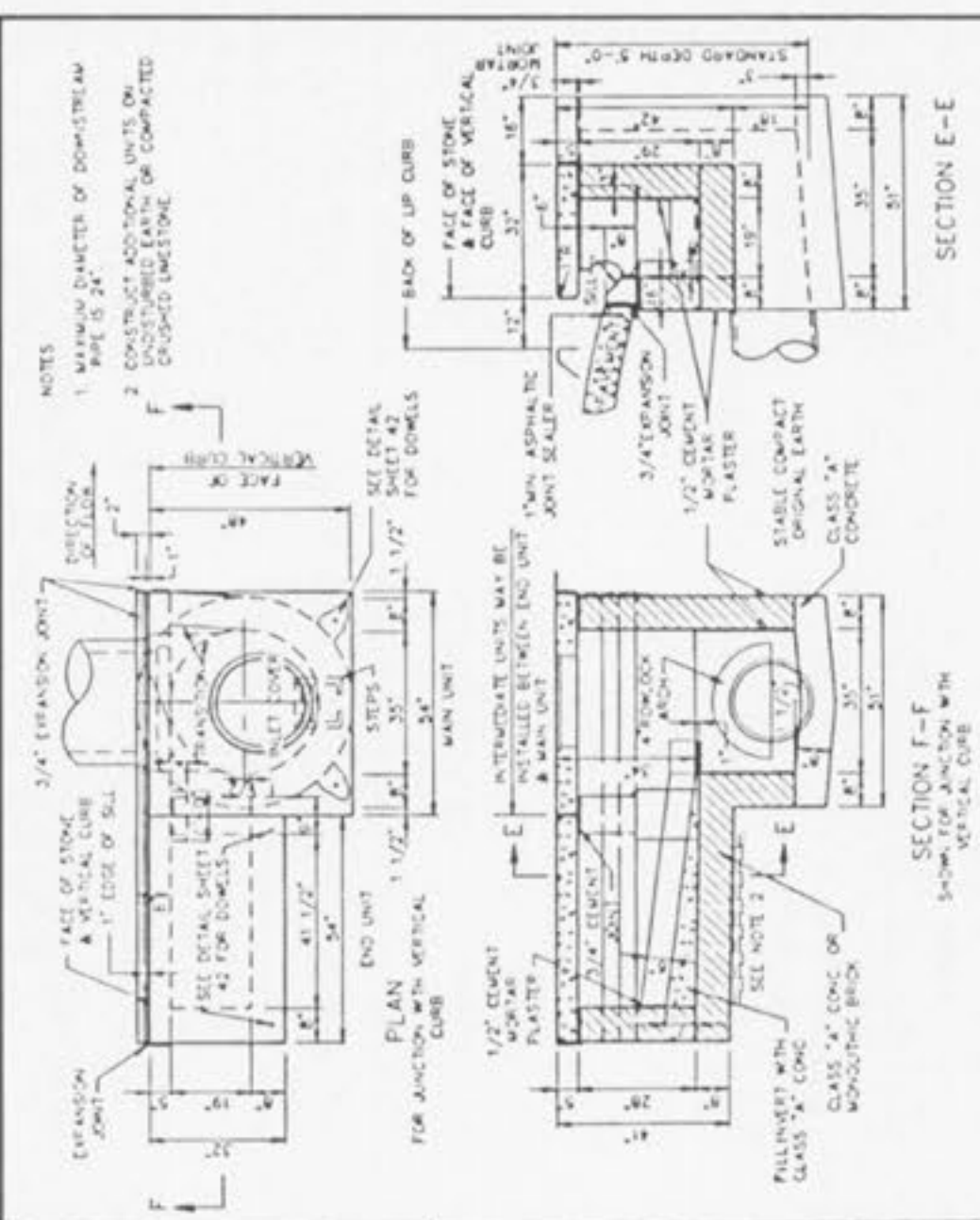
TYPICAL PRE-CAST MH TEE FOR REINFORCED CONCRETE PIPE SEWERS 48" AND LARGER IN DIAMETER
METROPOLITAN ST. LOUIS SEWER DISTRICT
Standard Details of Sewer Construction
Dr. W.S.H. Ch. J.C.K. 1992 SHEET 19



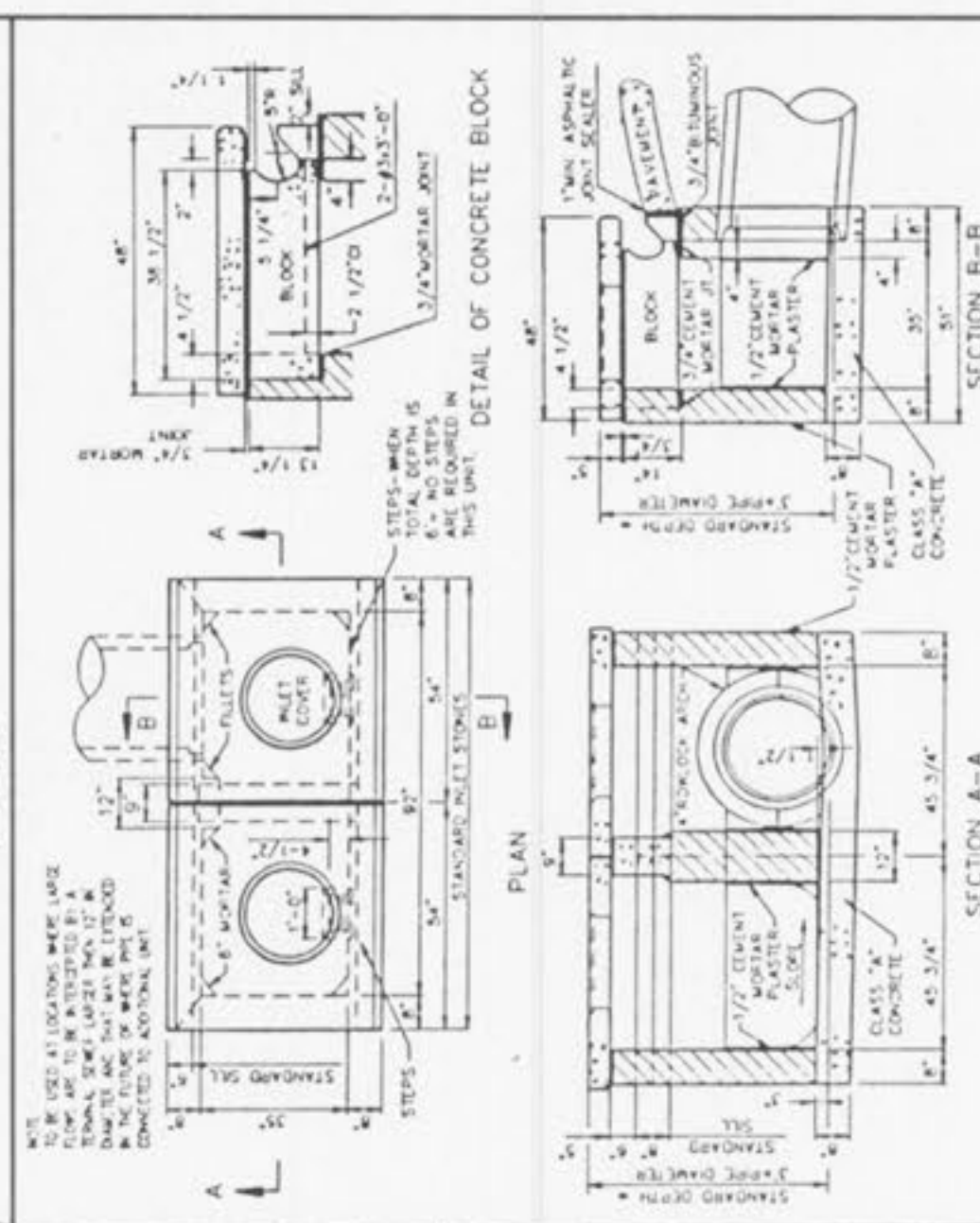
UNTRAPPED STREET INLET BRICK CONSTRUCTION
METROPOLITAN ST. LOUIS SEWER DISTRICT
Standard Details of Sewer Construction
Dr. W.S.H. Ch. J.C.K. 1992 SHEET 20



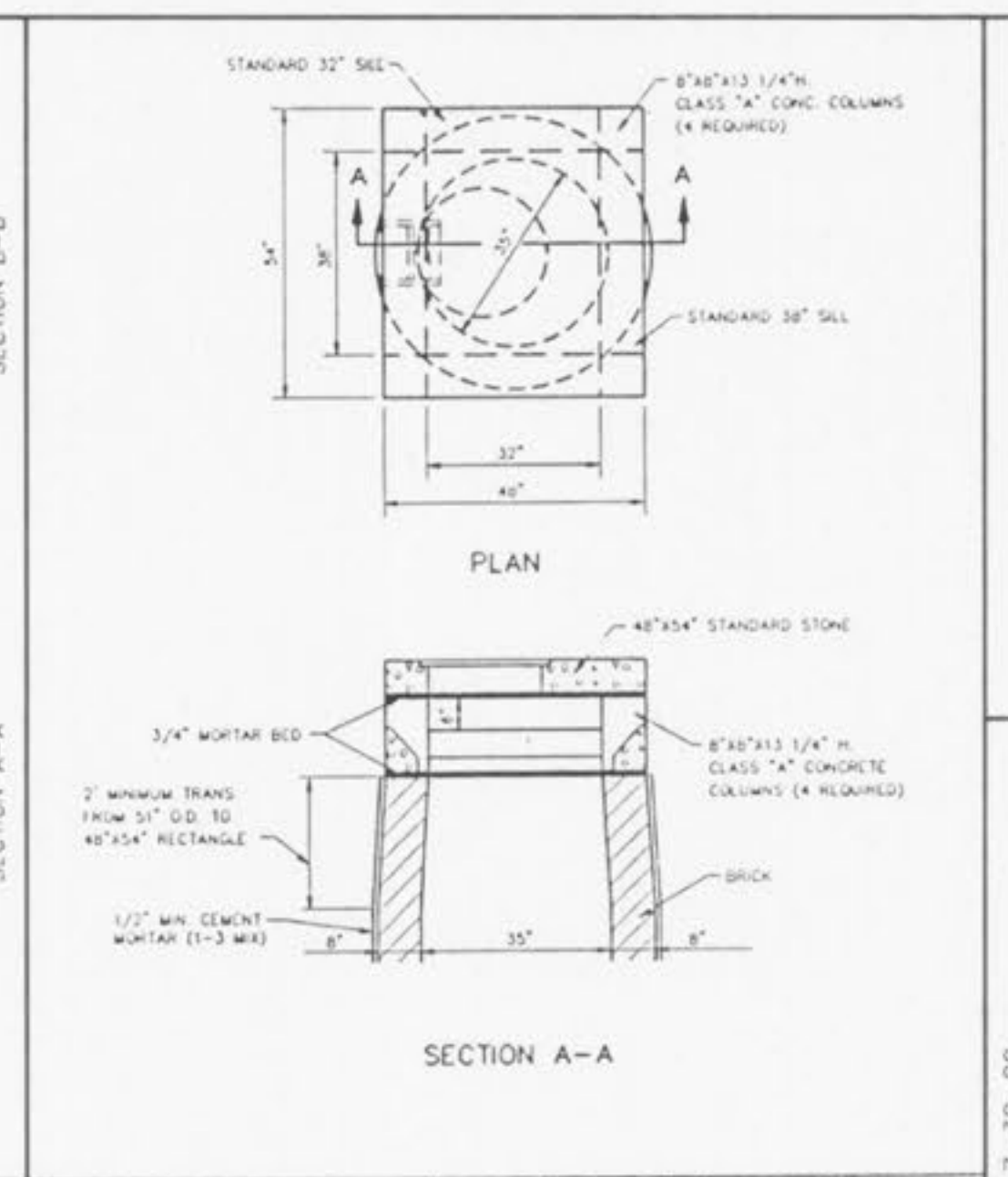
TRAPPED STREET INLET BRICK CONSTRUCTION
METROPOLITAN ST. LOUIS SEWER DISTRICT
Standard Details of Sewer Construction
Dr. W.S.H. Ch. J.C.K. 1992 SHEET 21



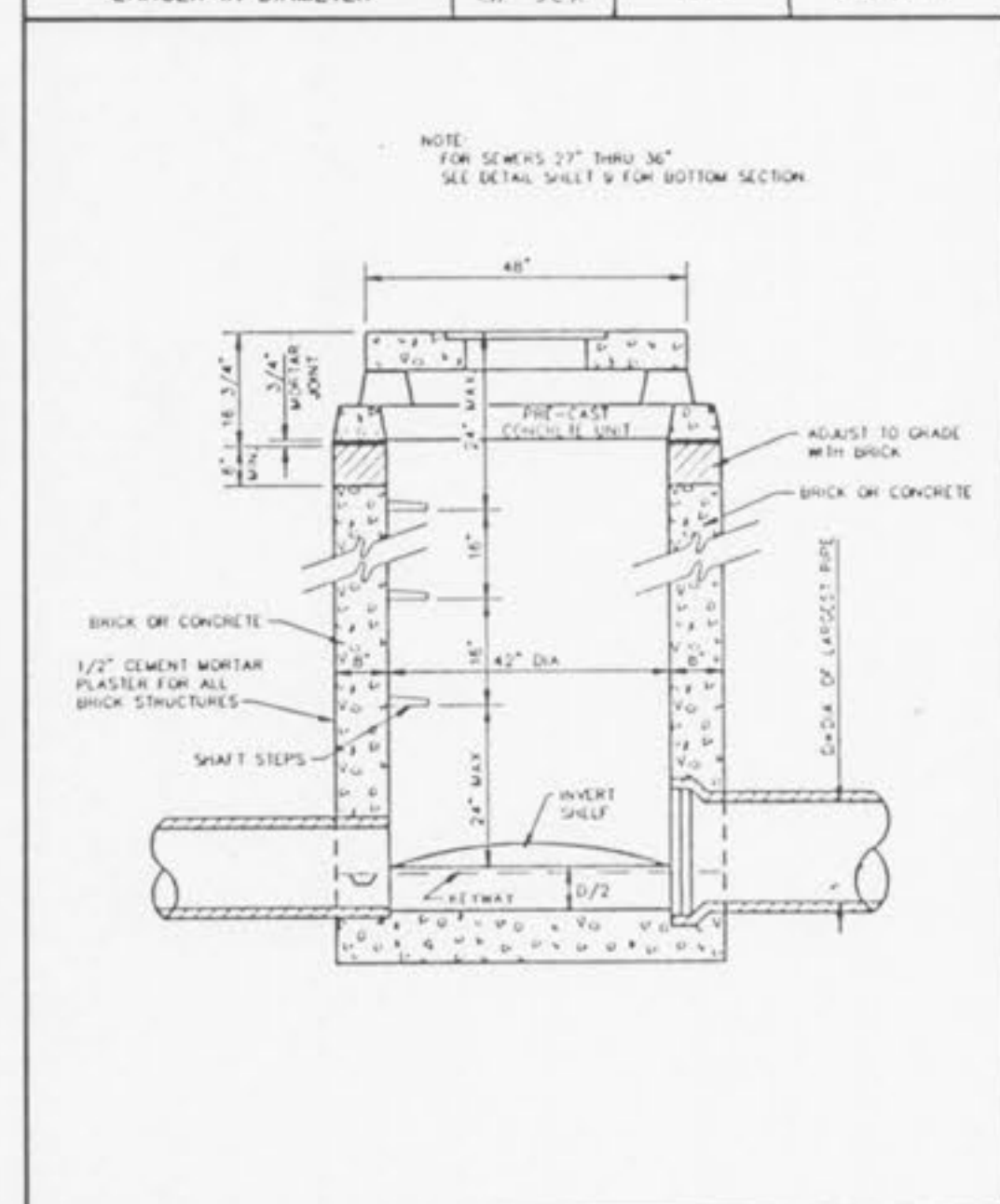
MULTIPLE STREET INLET BRICK CONSTRUCTION
METROPOLITAN ST. LOUIS SEWER DISTRICT
Standard Details of Sewer Construction
Dr. D.A.B. Ch. J.C.K. 1992 SHEET 22



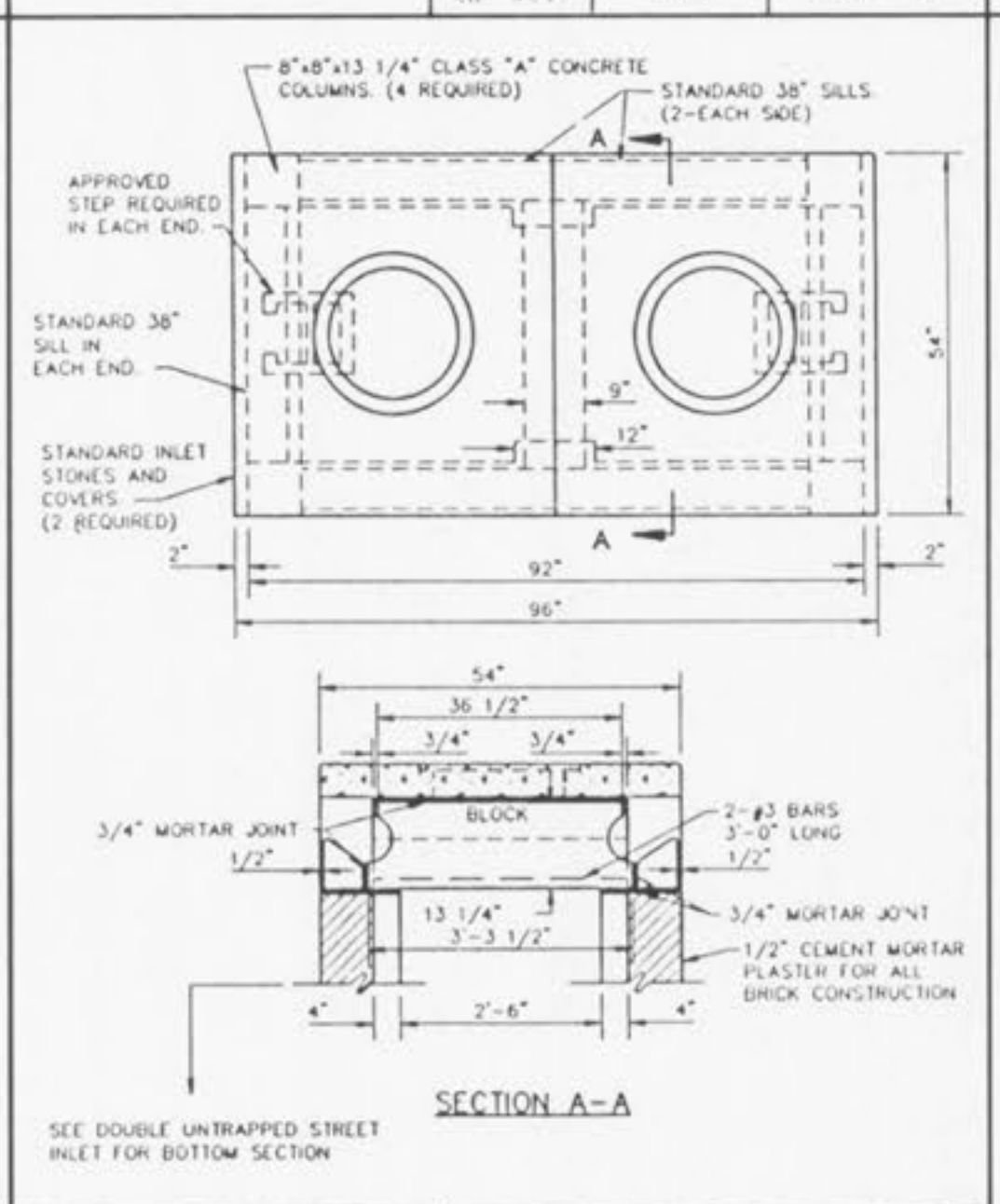
DOUBLE UNTRAPPED STREET INLET BRICK CONSTRUCTION
METROPOLITAN ST. LOUIS SEWER DISTRICT
Standard Details of Sewer Construction
Dr. D.A.B. Ch. J.C.K. 1992 SHEET 23



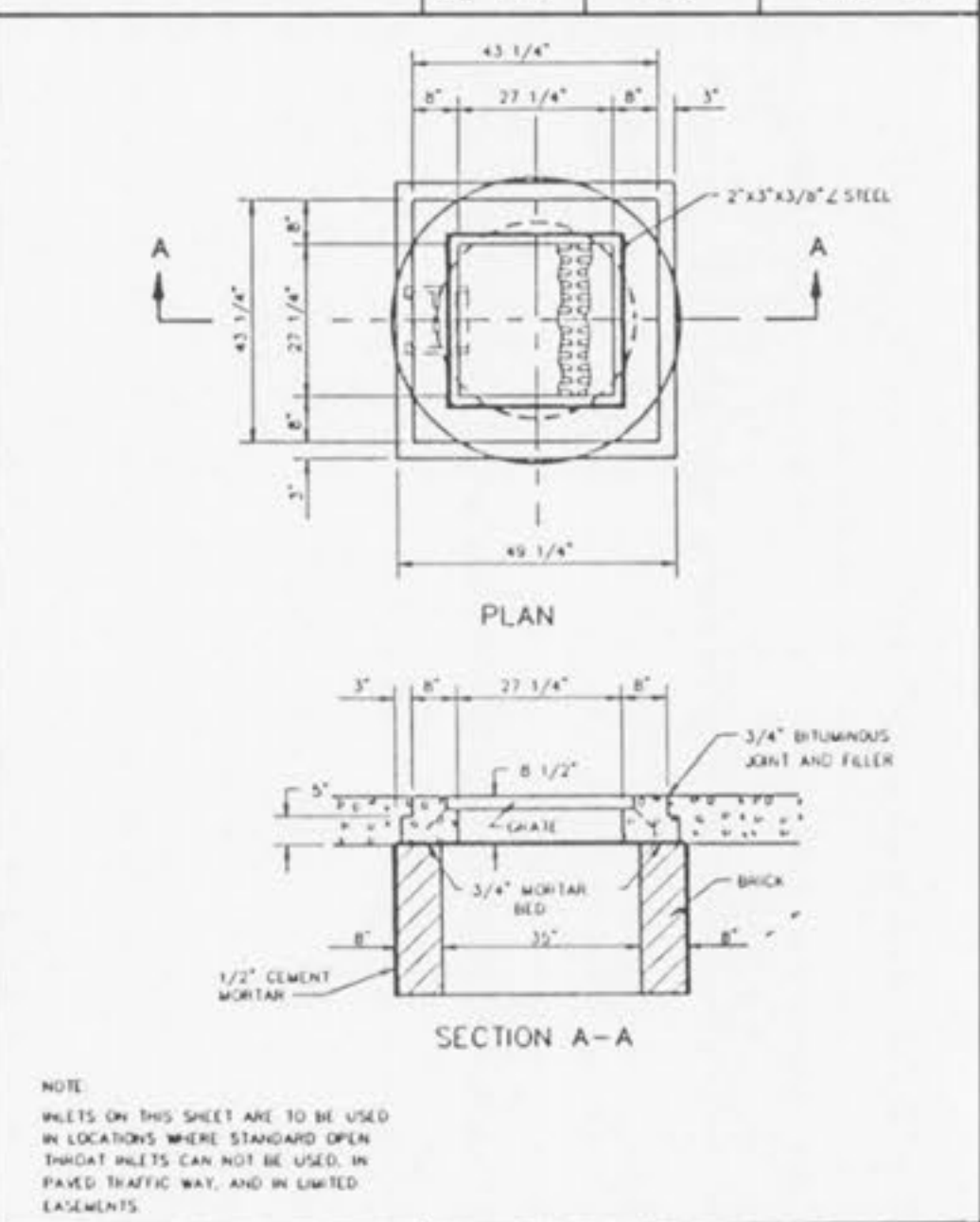
AREA INLET OPEN 4 SIDES BRICK CONSTRUCTION
METROPOLITAN ST. LOUIS SEWER DISTRICT
Standard Details of Sewer Construction
Dr. R.G.W. Ch. J.C.K. 1992 SHEET 24



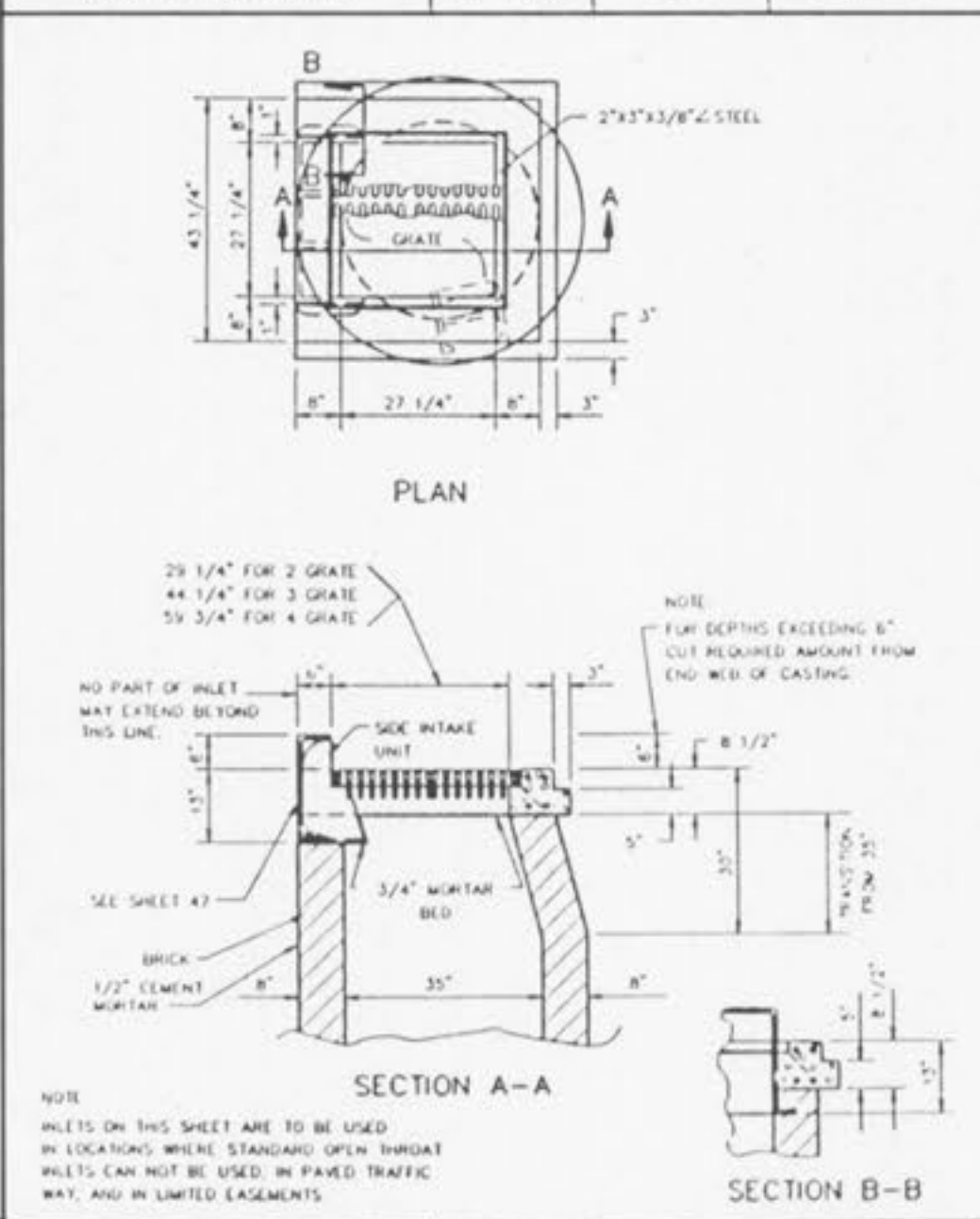
AREA INLET MANHOLE (12" THRU 24")
METROPOLITAN ST. LOUIS SEWER DISTRICT
Standard Details of Sewer Construction
Dr. R.G.W. Ch. J.C.K. 1992 SHEET 25



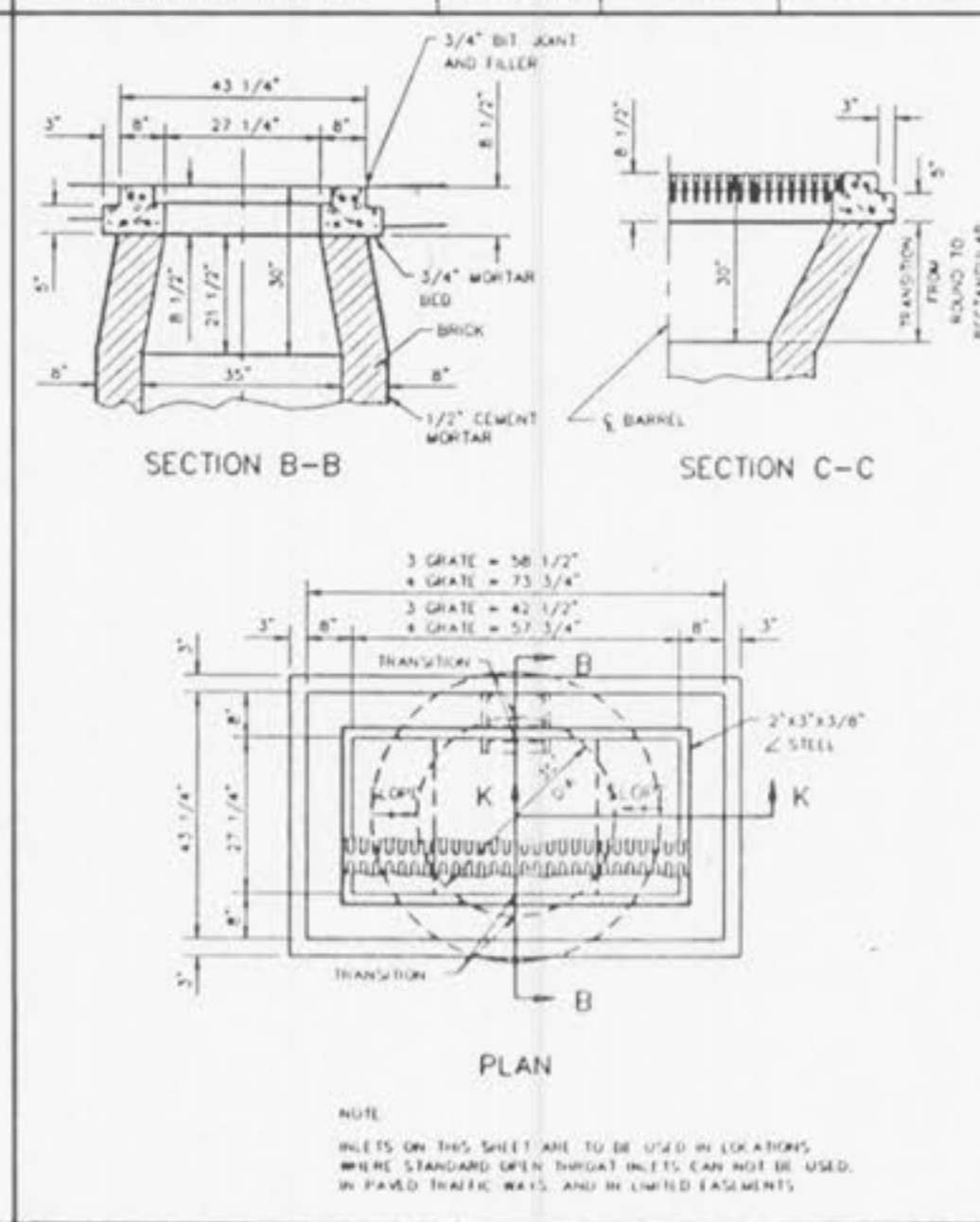
DOUBLE AREA INLET OPEN 4 SIDES BRICK CONSTRUCTION
METROPOLITAN ST. LOUIS SEWER DISTRICT
Standard Details of Sewer Construction
Dr. R.G.W. Ch. J.C.K. 1992 SHEET 26



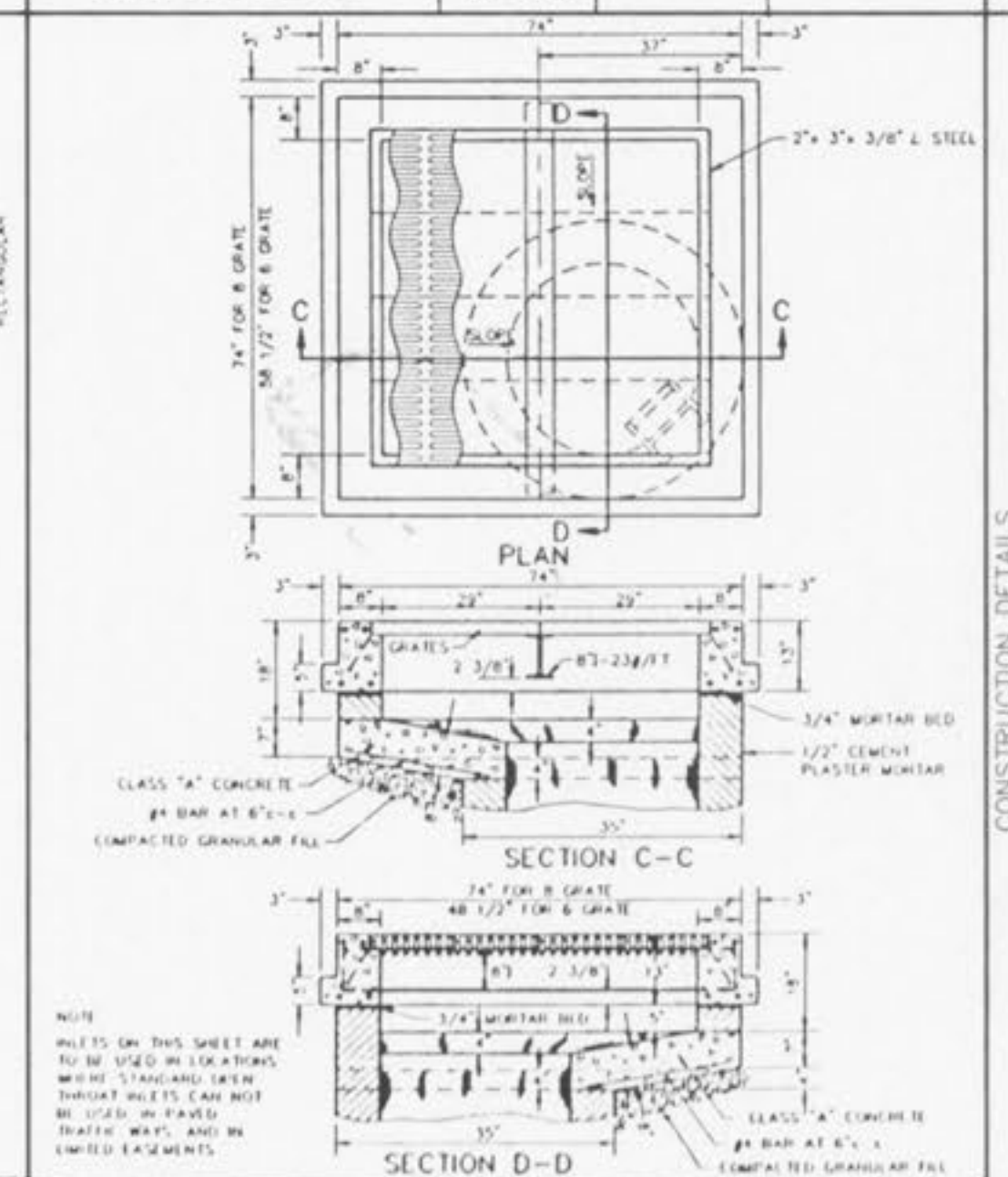
2 GRATE INLET WITH SIDE INTAKE BRICK CONSTRUCTION
METROPOLITAN ST. LOUIS SEWER DISTRICT
Standard Details of Sewer Construction
Dr. R.G.W. Ch. J.C.K. 1992 SHEET 27



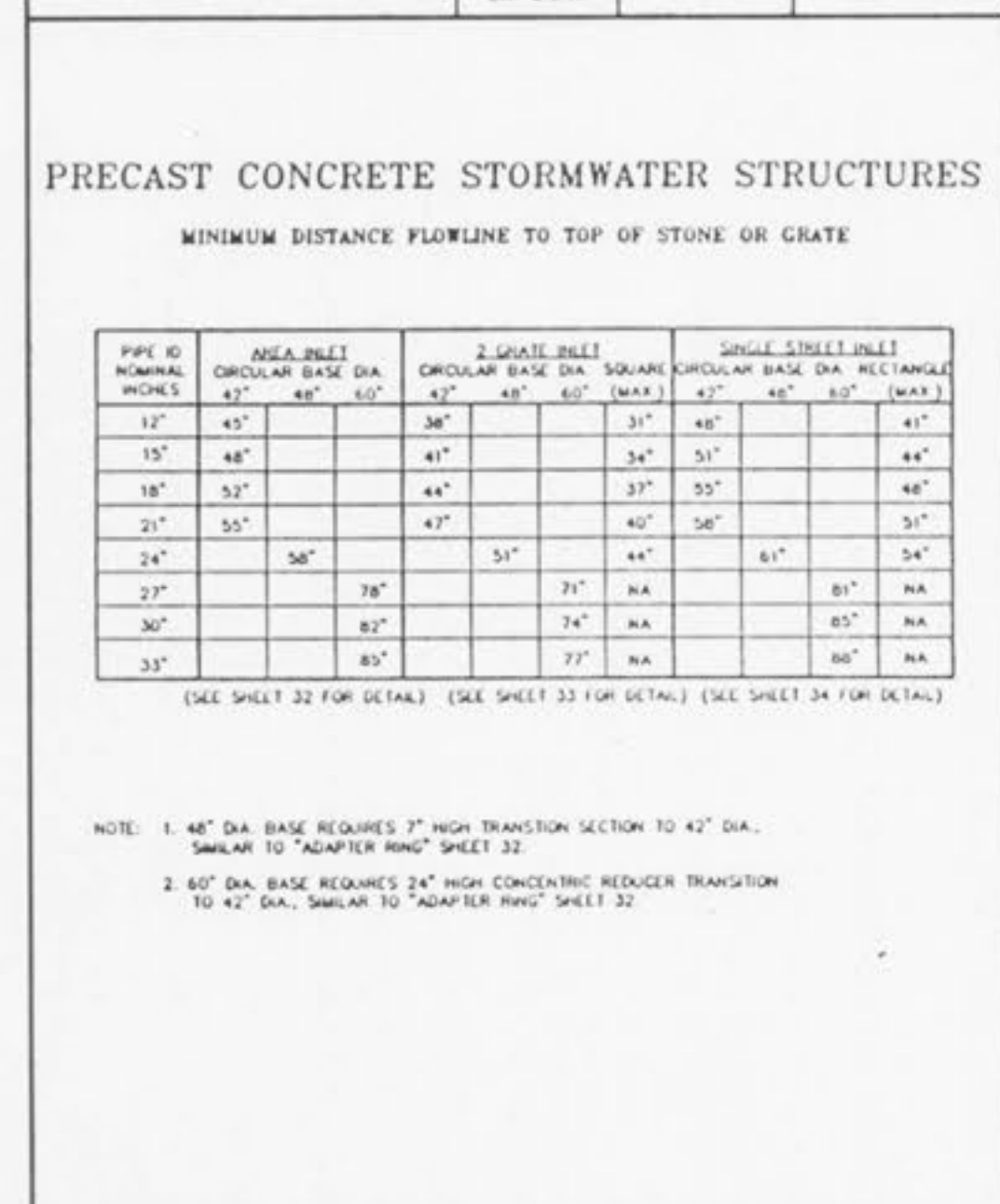
2 GRATE INLET WITH SIDE INTAKE BRICK CONSTRUCTION
METROPOLITAN ST. LOUIS SEWER DISTRICT
Standard Details of Sewer Construction
Dr. R.G.W. Ch. J.C.K. 1992 SHEET 28



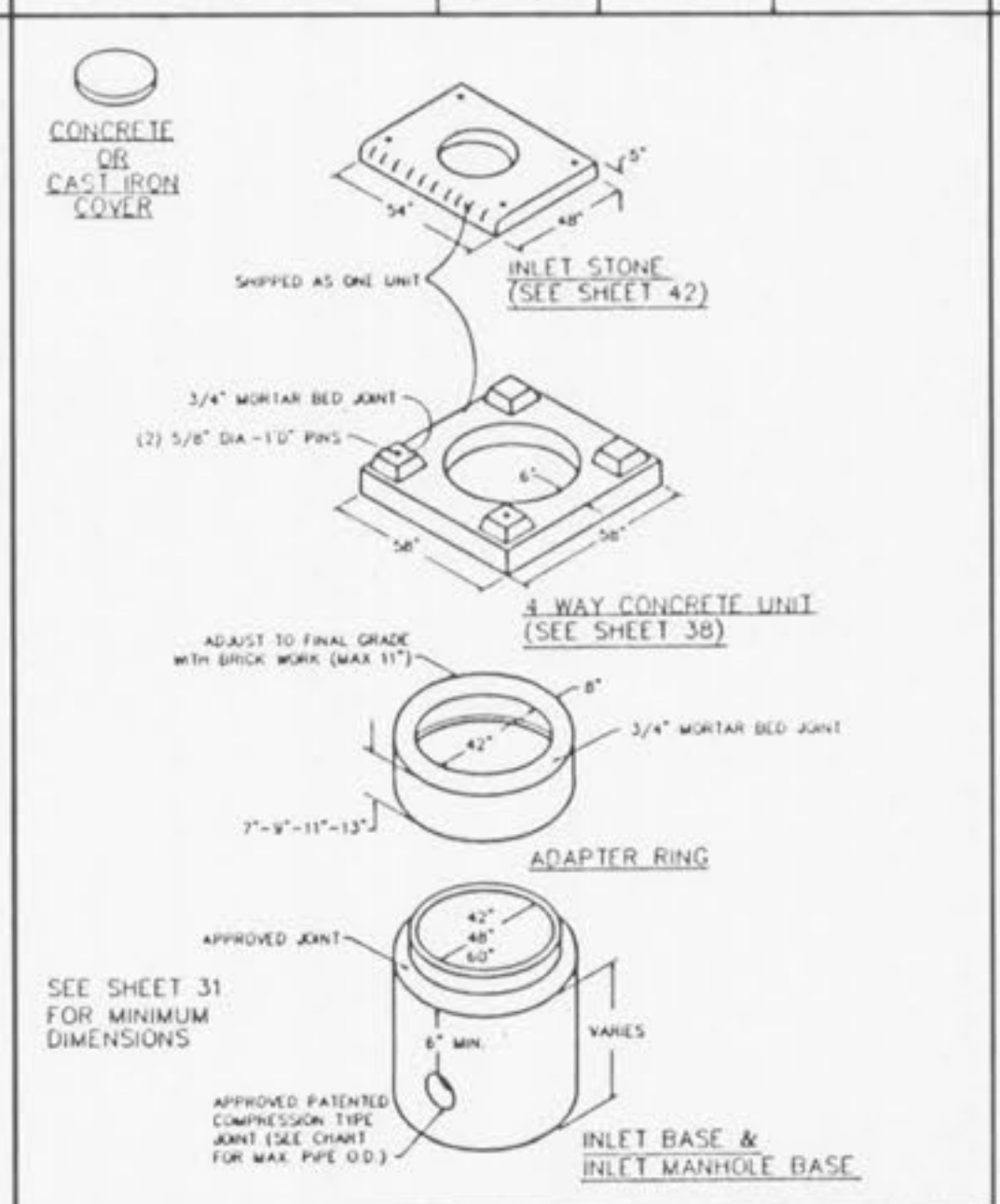
3 & 4 GRATE INLET BRICK CONSTRUCTION
METROPOLITAN ST. LOUIS SEWER DISTRICT
Standard Details of Sewer Construction
Dr. R.G.W. Ch. J.C.K. 1992 SHEET 29



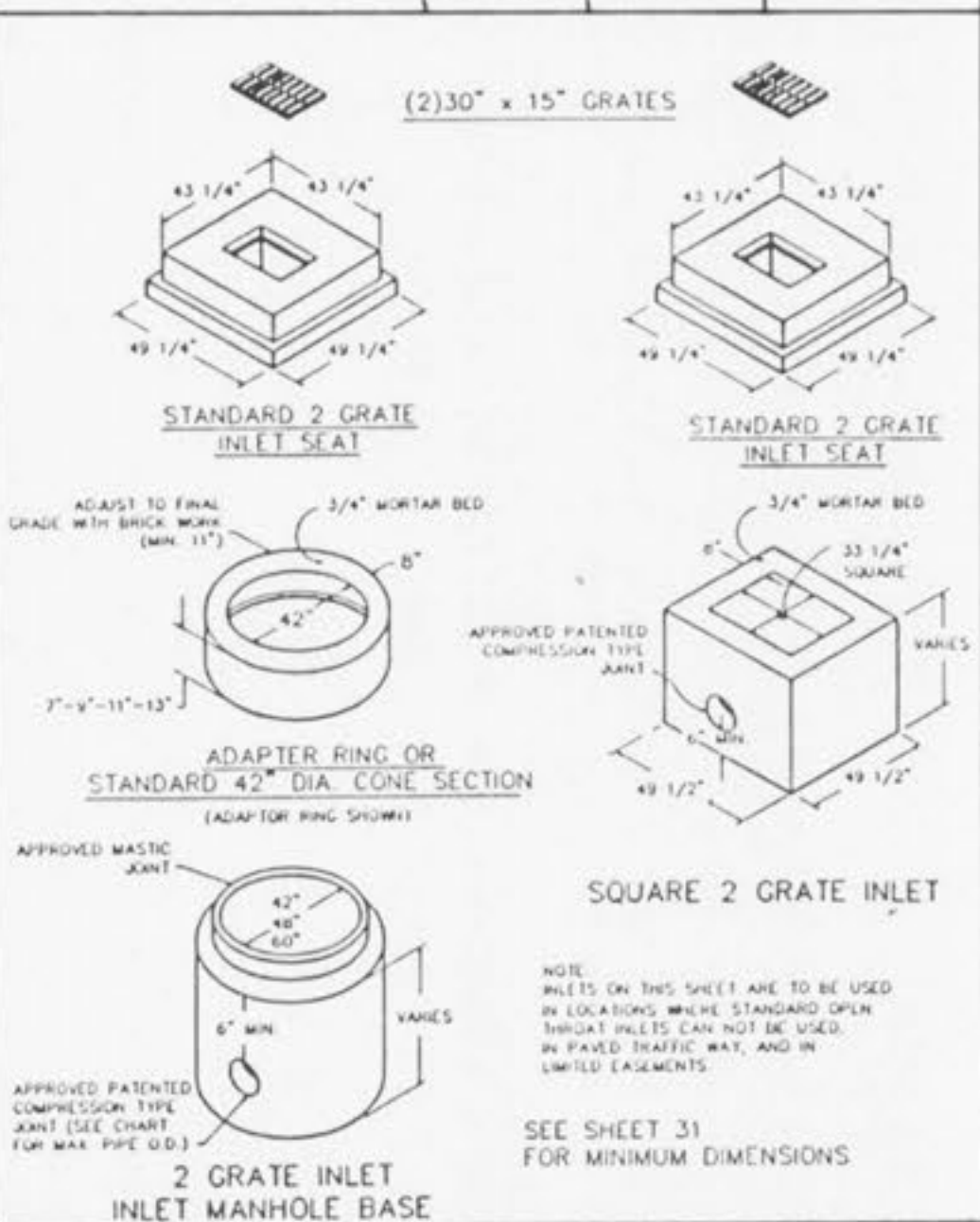
6 & 8 GRATE INLET BRICK CONSTRUCTION
METROPOLITAN ST. LOUIS SEWER DISTRICT
Standard Details of Sewer Construction
Dr. W.S.H. Ch. J.C.K. 1992 SHEET 30



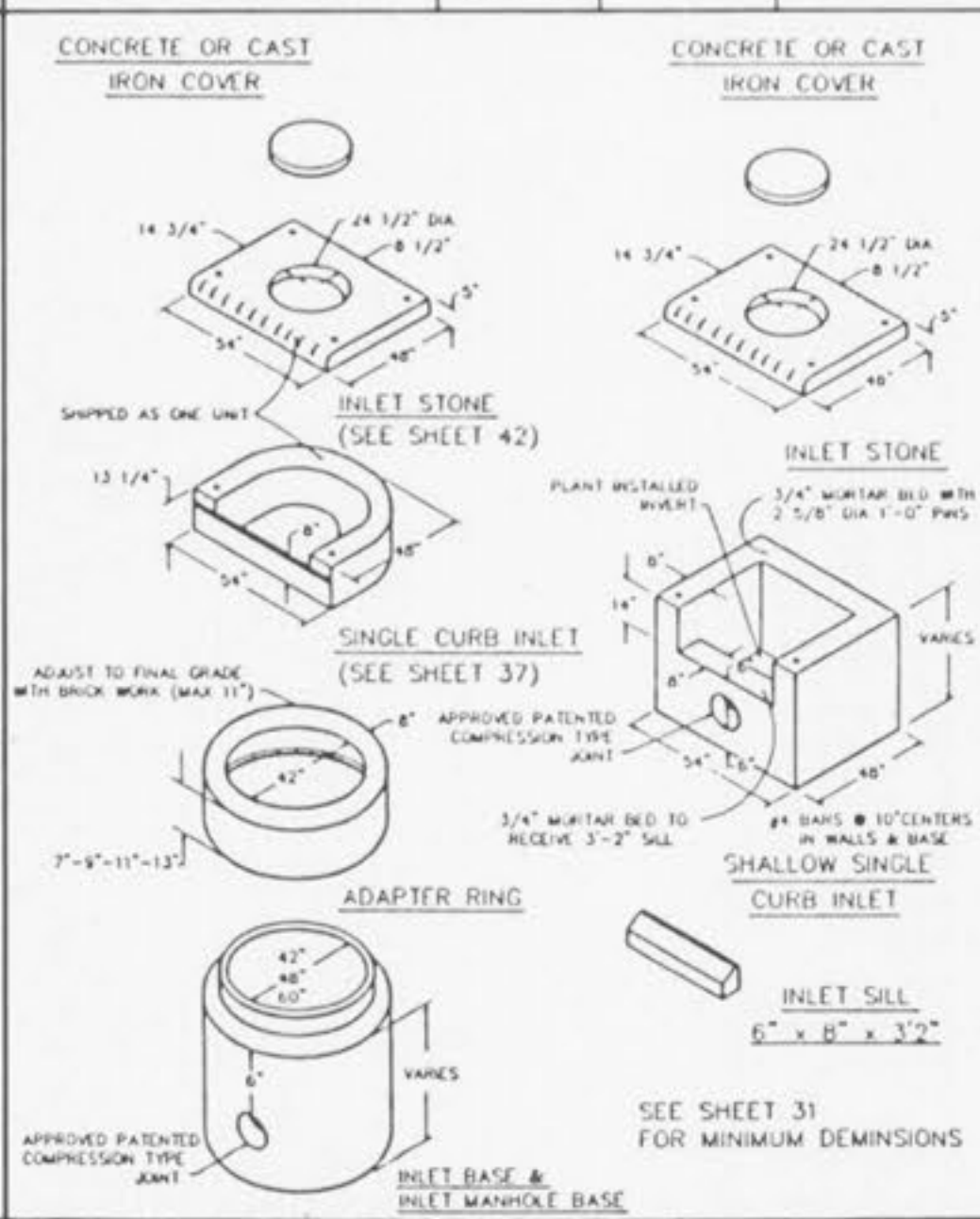
PRECAST CONCRETE STORMWATER STRUCTURES
METROPOLITAN ST. LOUIS SEWER DISTRICT
Standard Details of Sewer Construction
Dr. J.L.C. Ch. J.C.K. SEPT. 1990 SHEET 31



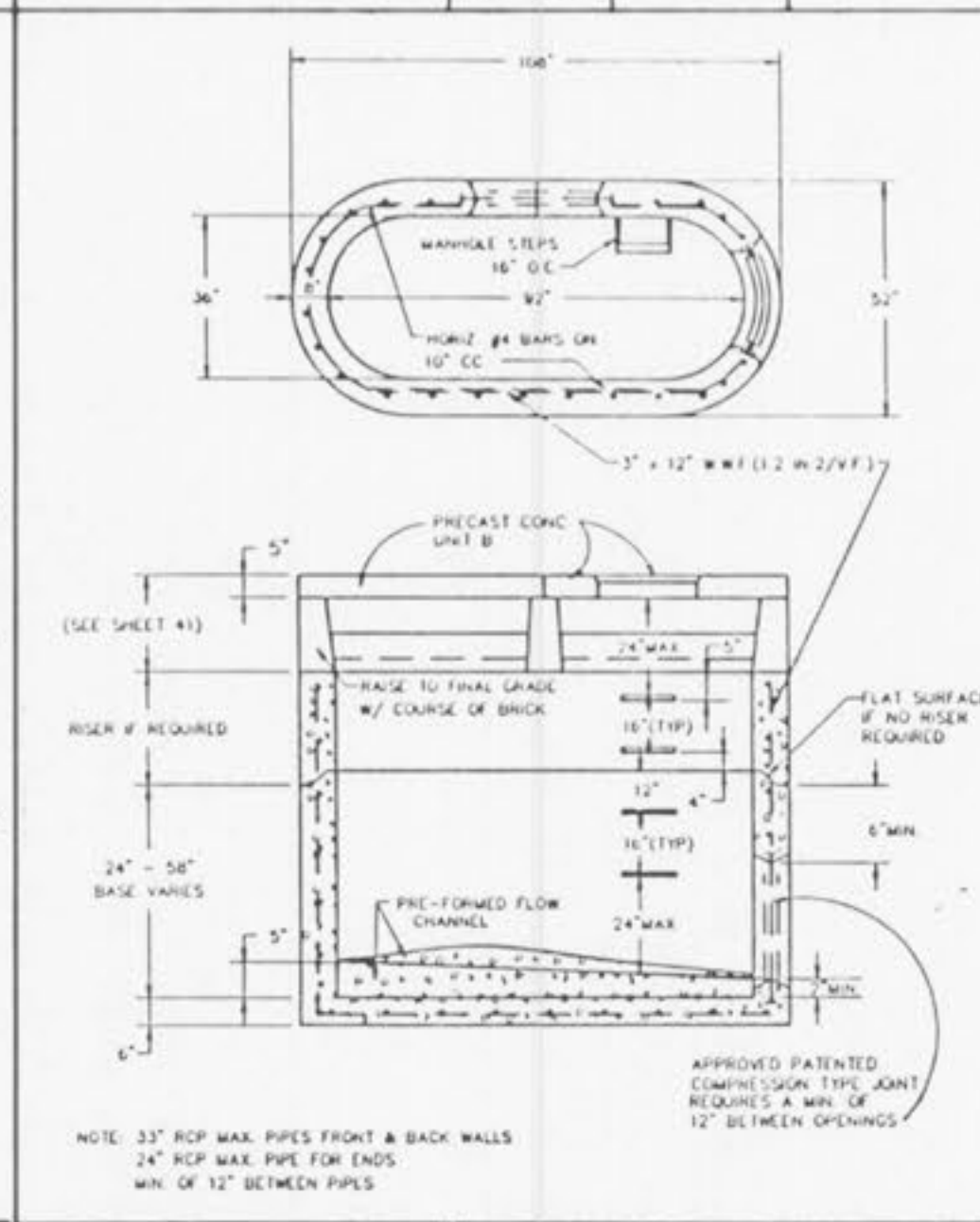
AREA INLET PRECAST CONCRETE
METROPOLITAN ST. LOUIS SEWER DISTRICT
Standard Details of Sewer Construction
Dr. J.L.C. Ch. J.C.K. APRIL 1992 SHEET 32



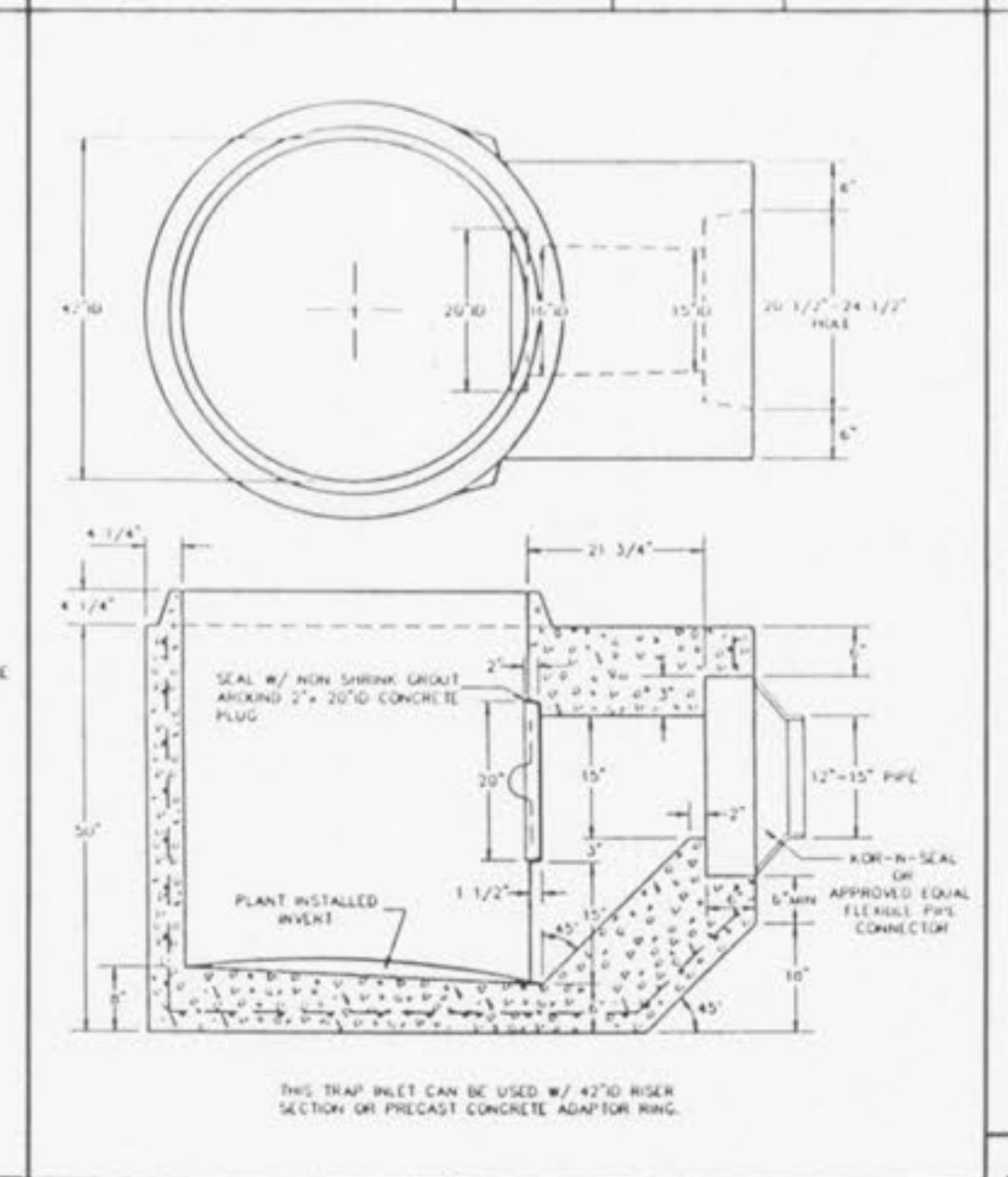
2 GRATE INLETS PRECAST CONCRETE
METROPOLITAN ST. LOUIS SEWER DISTRICT
Standard Details of Sewer Construction
Dr. J.L.C. Ch. J.C.K. APRIL 1992 SHEET 33



SINGLE STREET INLETS PRECAST CONCRETE
METROPOLITAN ST. LOUIS SEWER DISTRICT
Standard Details of Sewer Construction
Dr. J.L.C. Ch. J.C.K. APRIL 1991 SHEET 34



DOUBLE UNTRAPPED STREET INLET PRECAST CONCRETE
METROPOLITAN ST. LOUIS SEWER DISTRICT
Standard Details of Sewer Construction
Dr. J.L.C. Ch. J.C.K. SEPT. 1992 SHEET 35



TRAPPED STREET INLET BASE PRECAST CONCRETE
METROPOLITAN ST. LOUIS SEWER DISTRICT
Standard Details of Sewer Construction
Dr. W.S.H. Ch. J.C.K. 1992 SHEET 36