

TYPICAL PRE-CAST MH. TEE FOR REINFORCED CONCRETE PIPE SEWERS 48\"/>

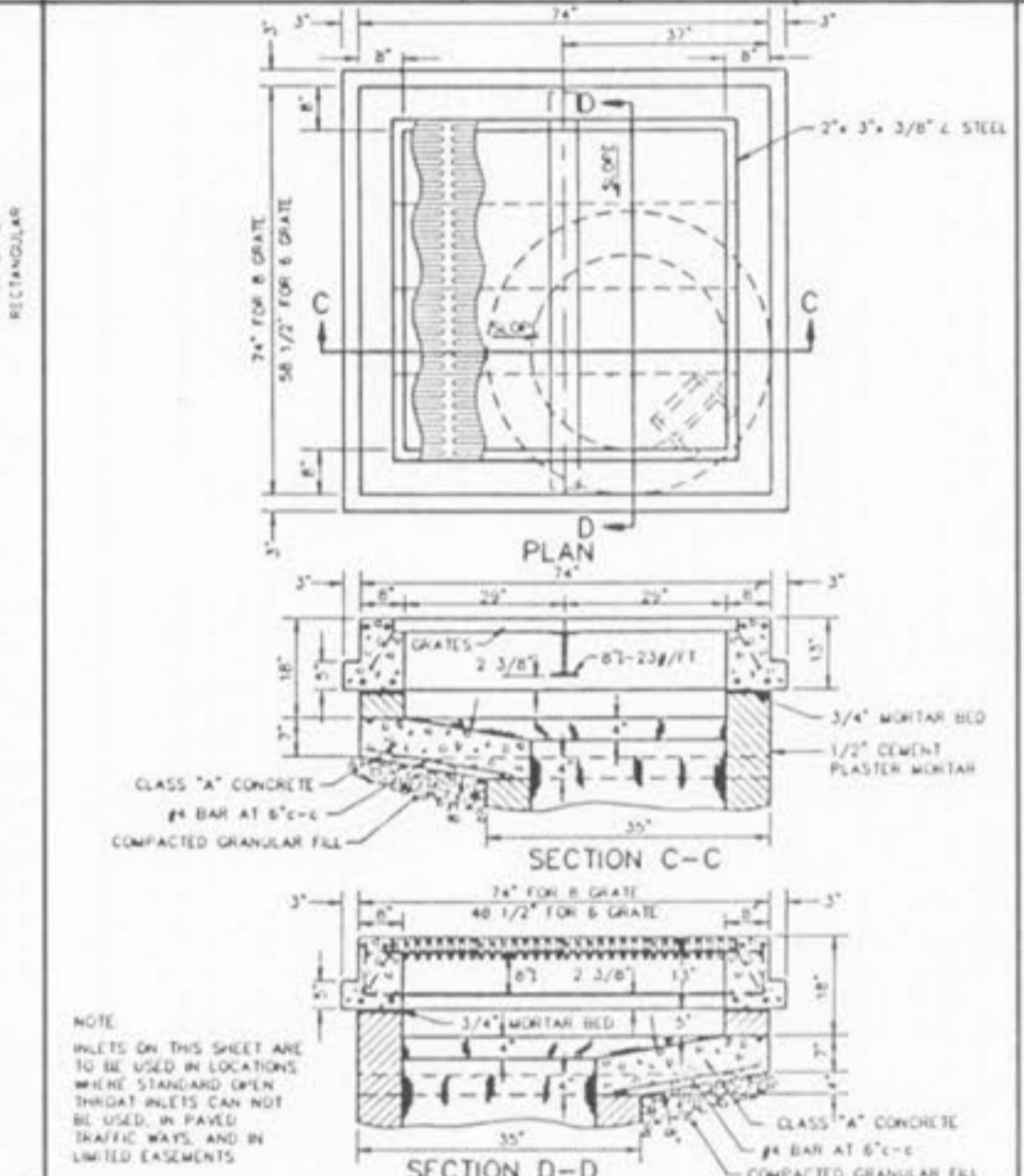
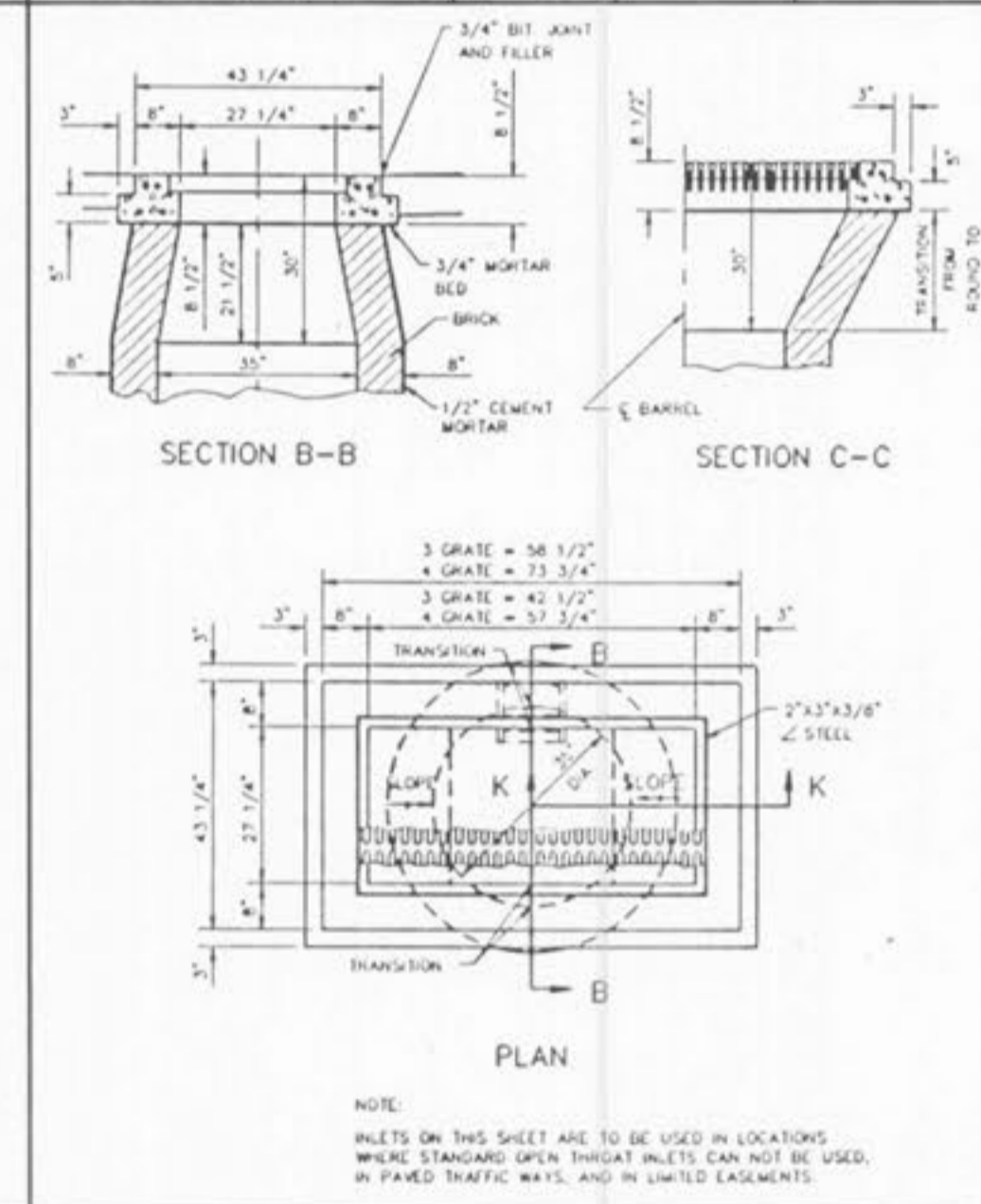
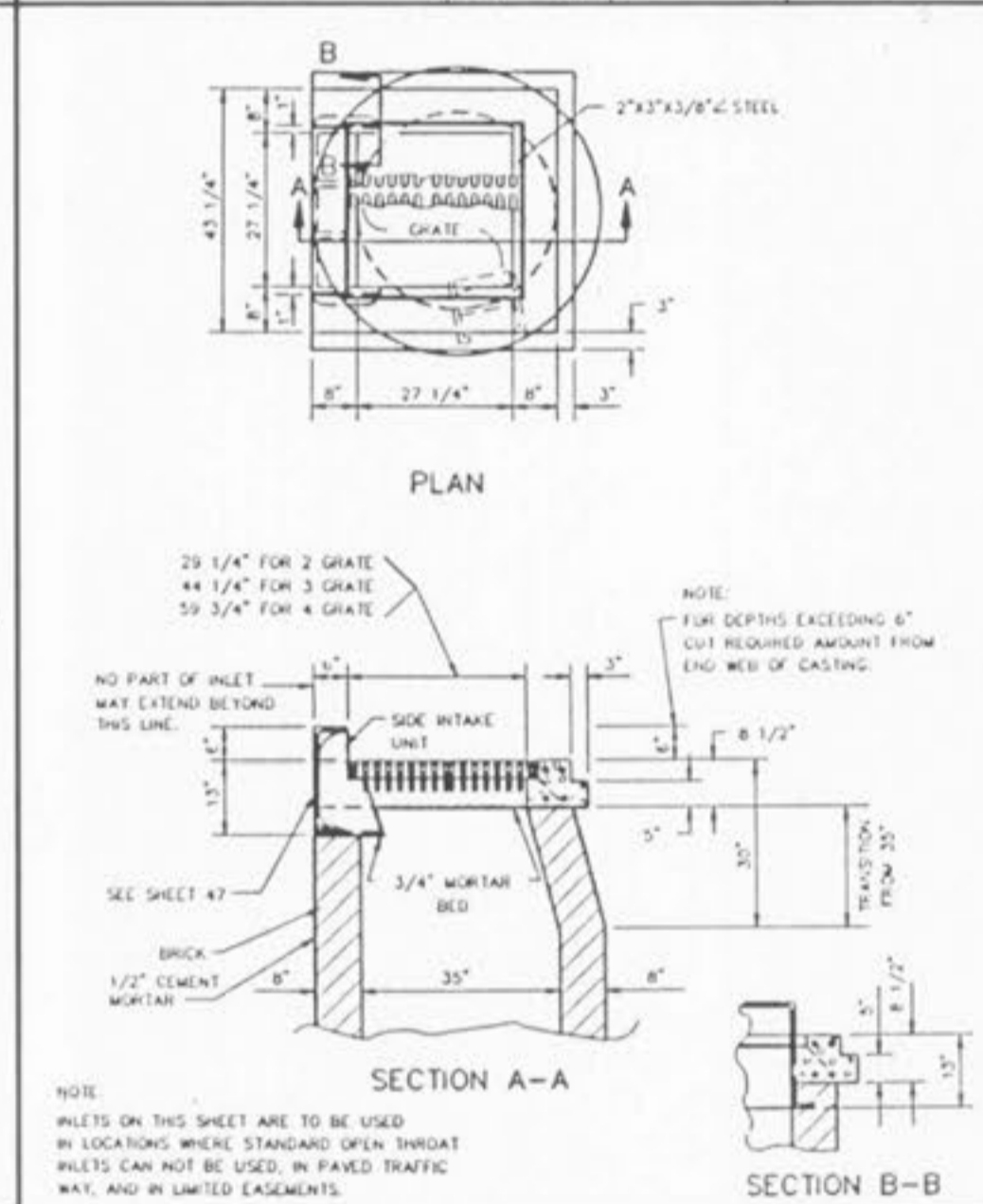
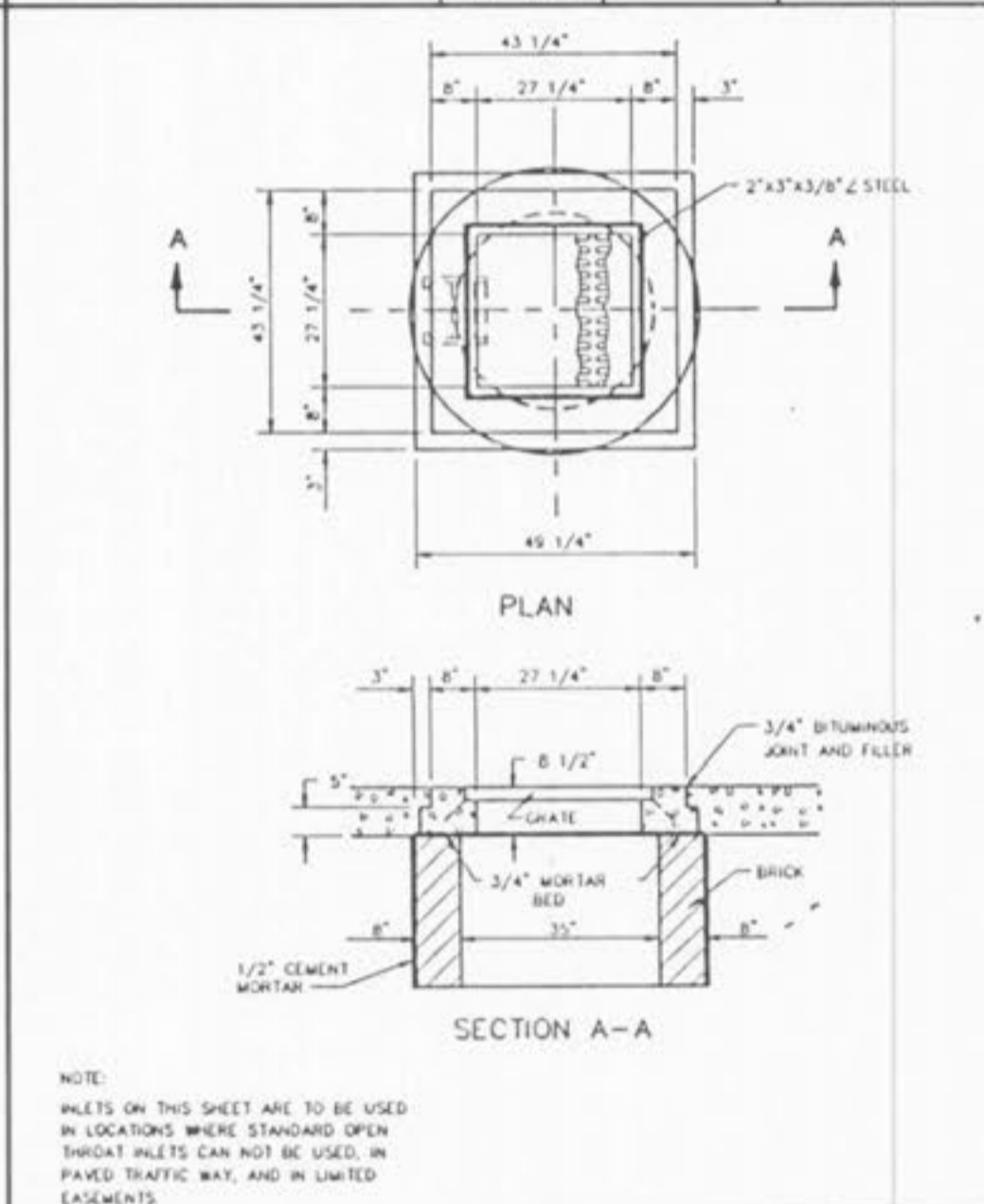
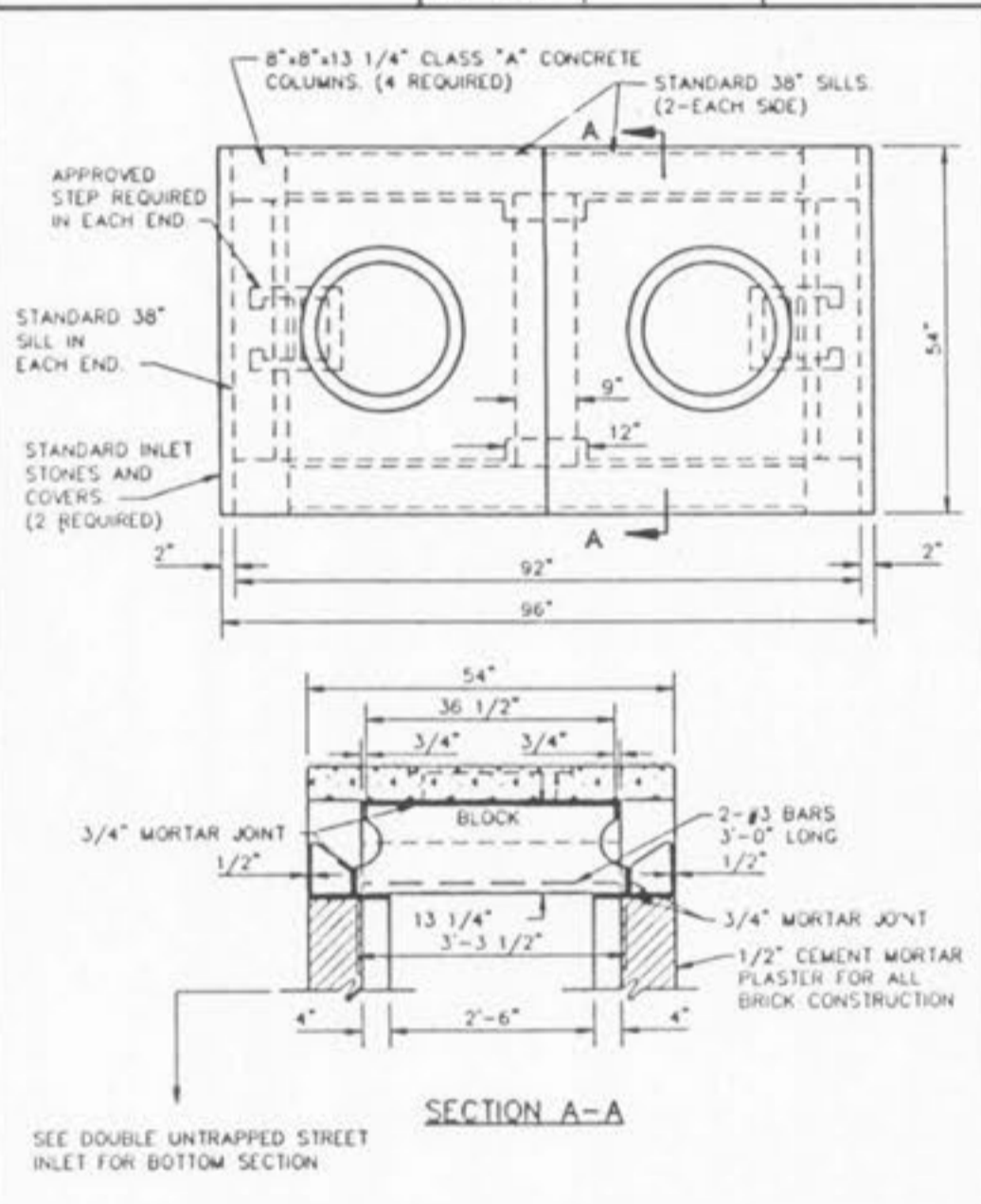
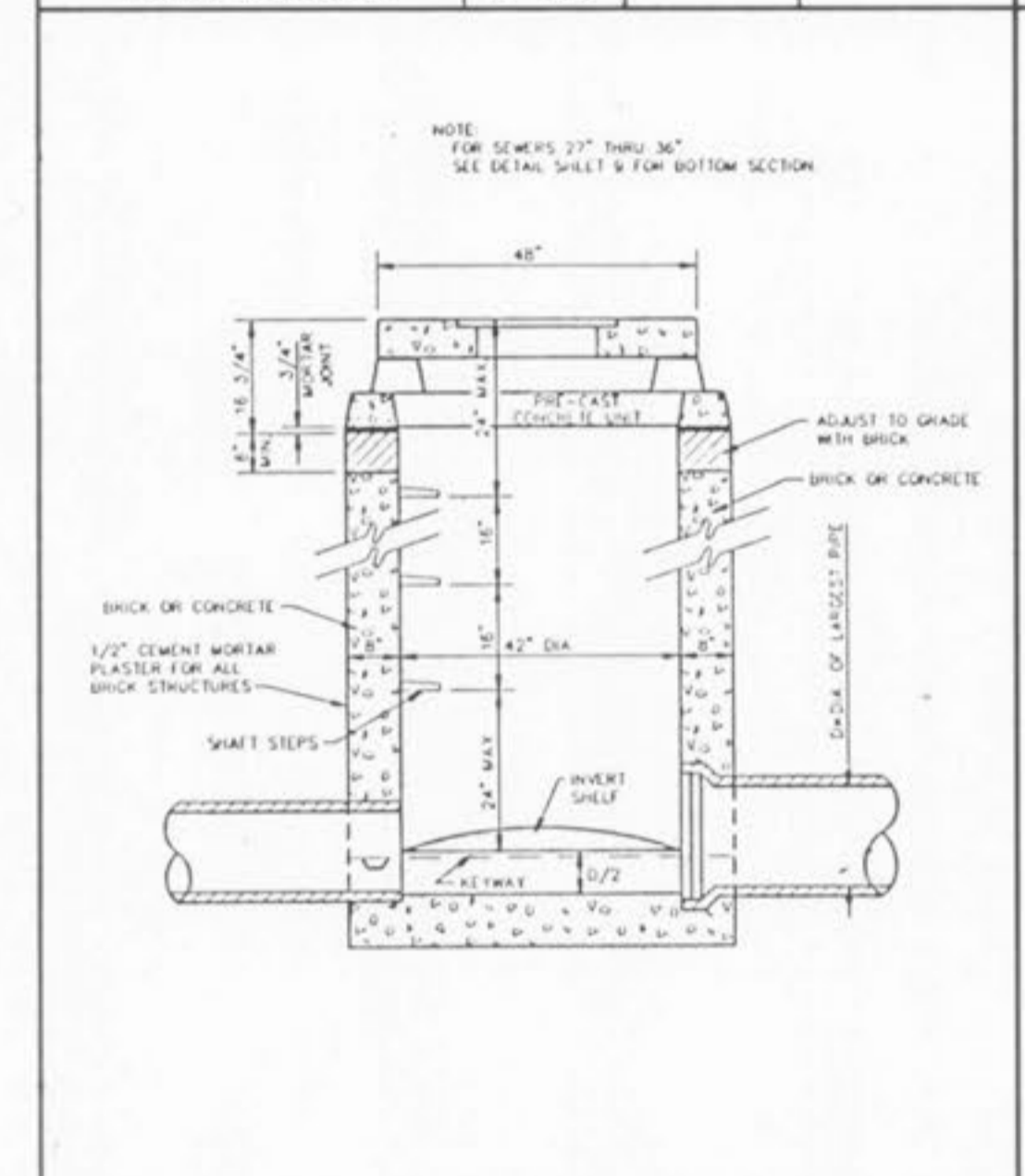
UNTRAPPED STREET INLET BRICK CONSTRUCTION

TRAPPED STREET INLET BRICK CONSTRUCTION

MULTIPLE STREET INLET BRICK CONSTRUCTION

DOUBLE UNTRAPPED STREET INLET BRICK CONSTRUCTION

AREA INLET OPEN 4 SIDES BRICK CONSTRUCTION



AREA INLET MANHOLE (12\"/>

DOUBLE AREA INLET OPEN 4 SIDES BRICK CONSTRUCTION

2 GRATE INLET BRICK CONSTRUCTION

2 GRATE INLET WITH SIDE INTAKE BRICK CONSTRUCTION

3 & 4 GRATE INLET BRICK CONSTRUCTION

6 & 8 GRATE INLET BRICK CONSTRUCTION

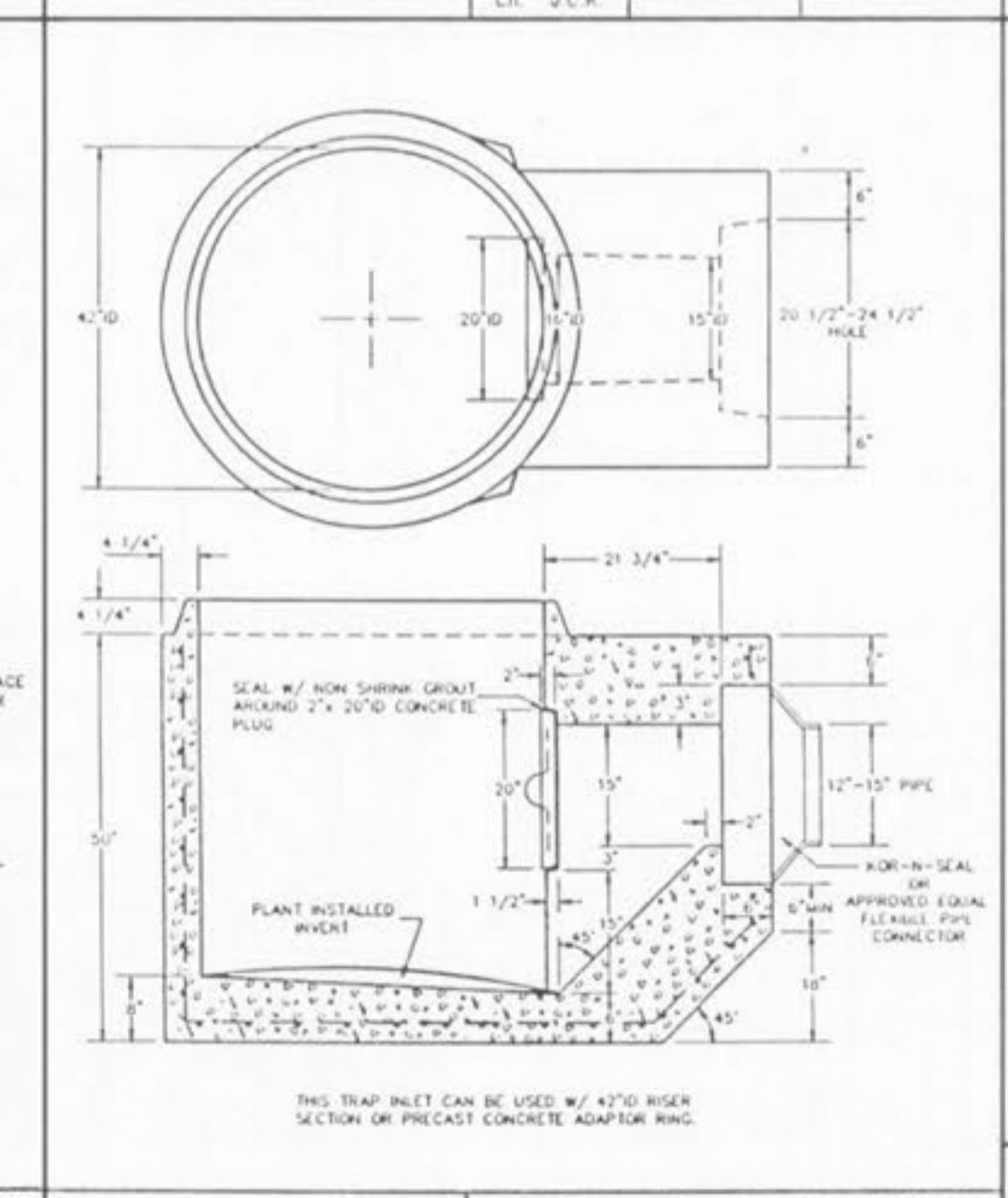
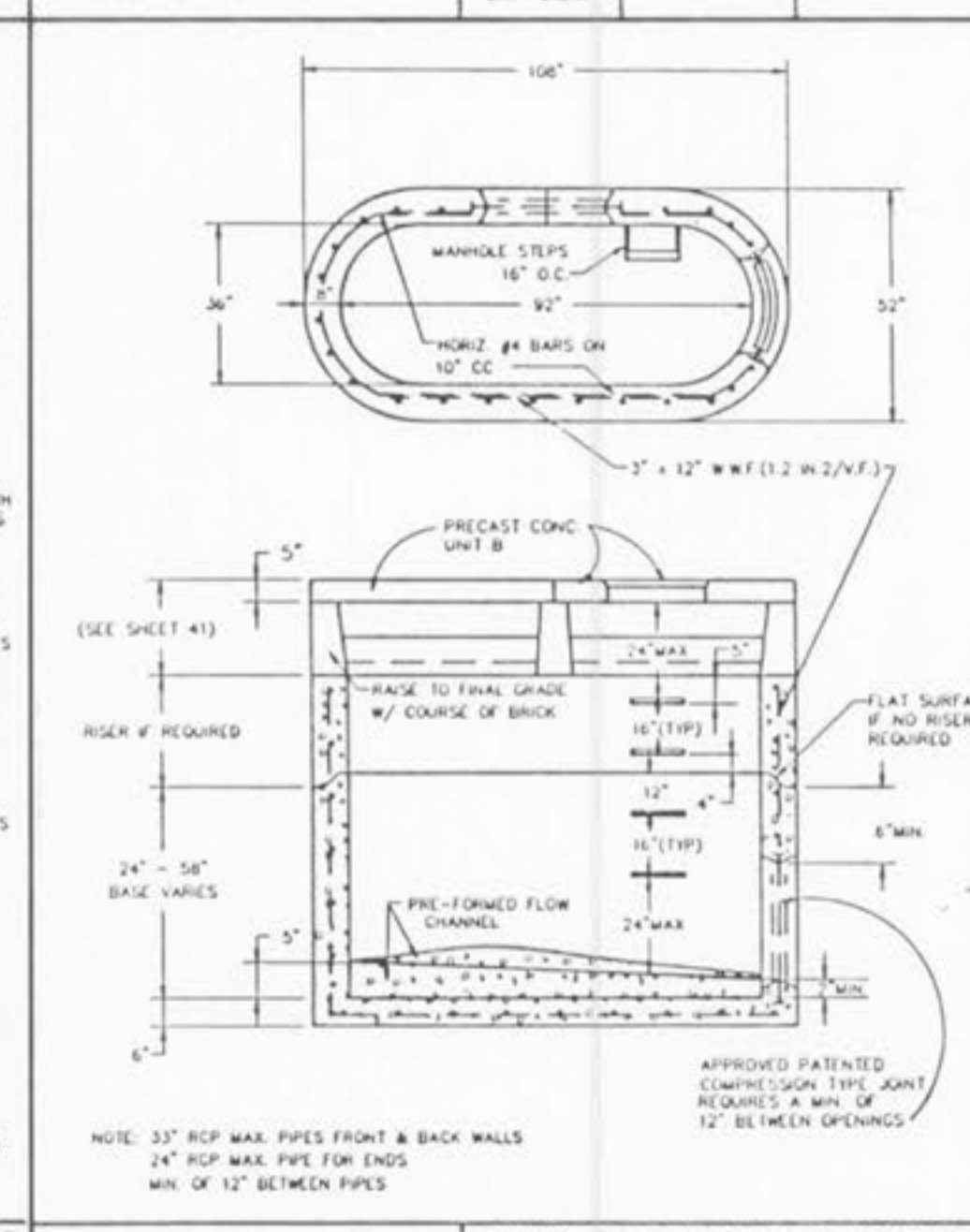
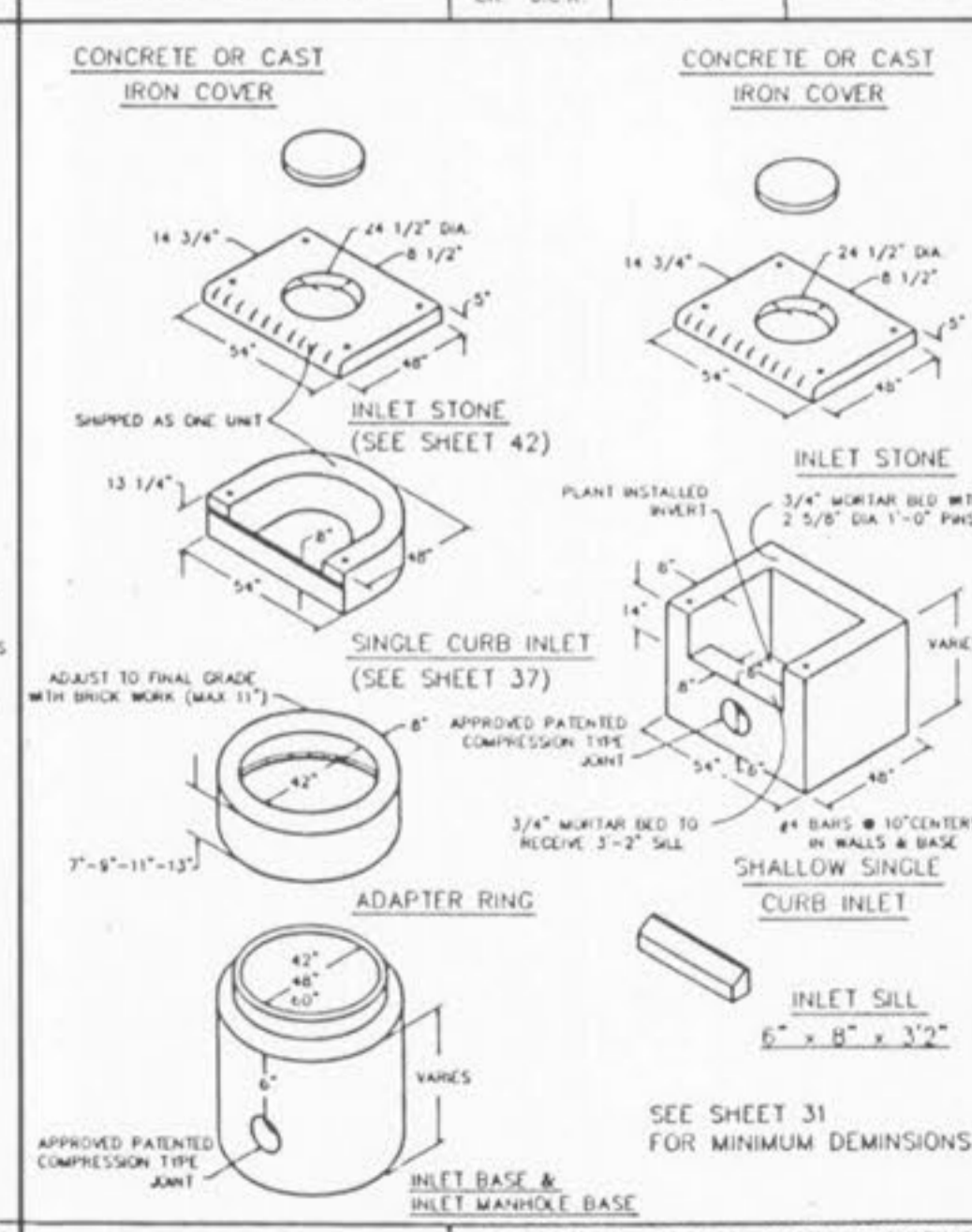
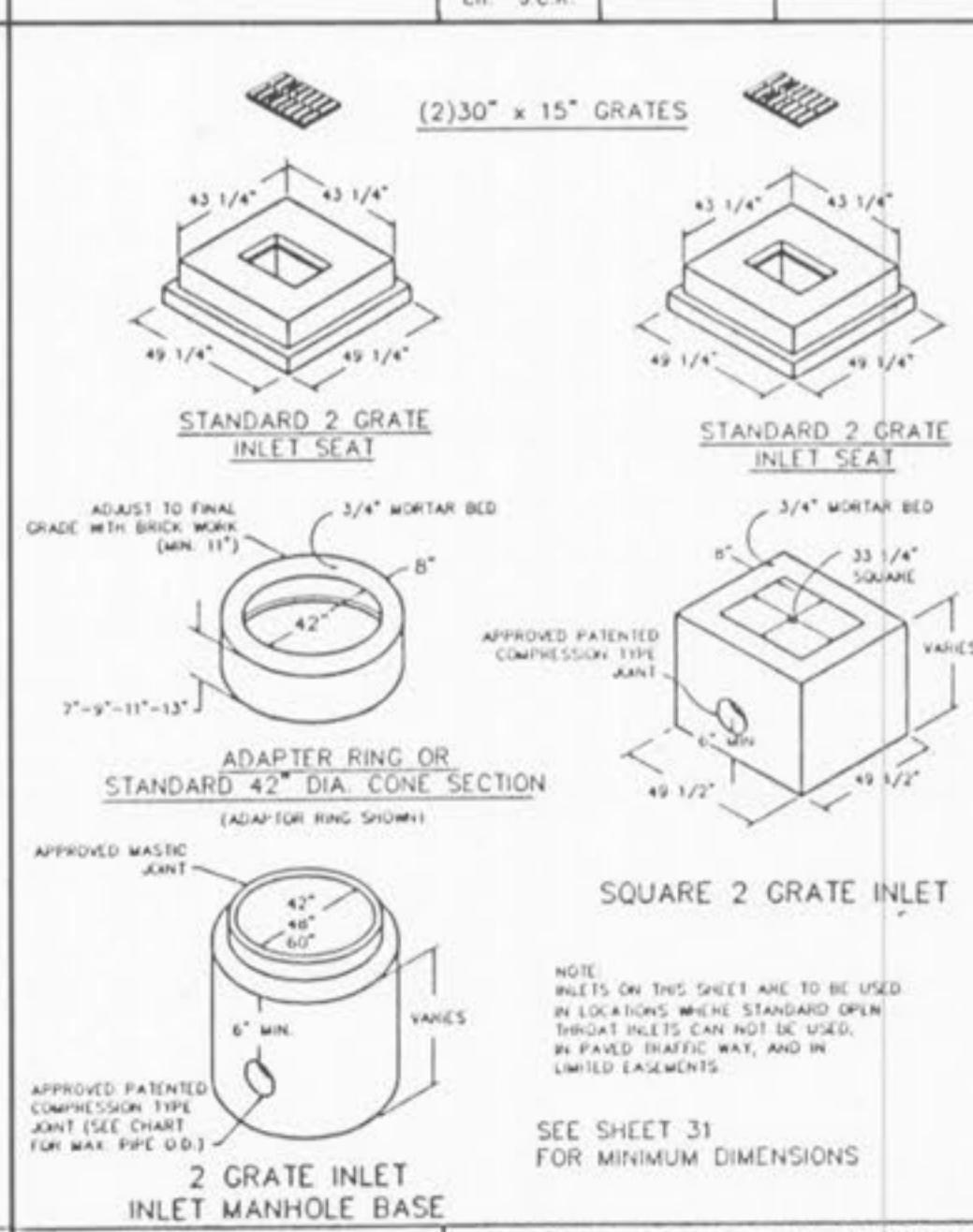
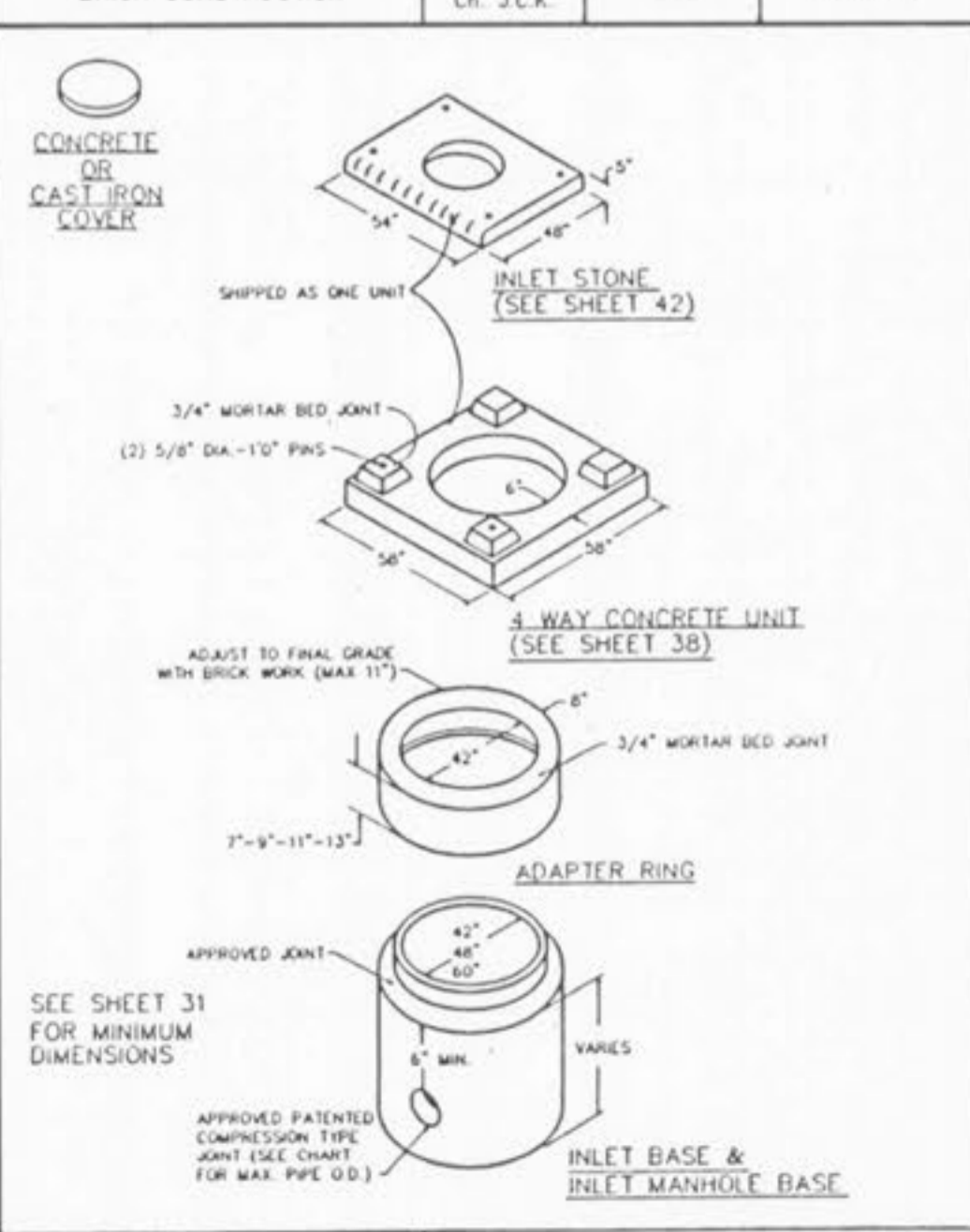
PRECAST CONCRETE STORMWATER STRUCTURES

MINIMUM DISTANCE FLOWLINE TO TOP OF STONE OR GRATE

PIPE ID. NOMINAL INCHES	AREA INLET CIRCULAR BASE DIA. (MAX.)	2 GRATE INLET CIRCULAR BASE DIA. SQUARE (MAX.)	2 GRATE INLET CIRCULAR BASE DIA. RECTANGLE (MAX.)	SINGLE STREET INLET CIRCULAR BASE DIA. RECTANGLE (MAX.)
12"	42"	36"	31"	41"
15"	48"	41"	34"	44"
18"	54"	47"	37"	48"
21"	60"	53"	40"	51"
24"	66"	59"	43"	54"
27"	72"	65"	46"	57"
30"	78"	71"	49"	60"
33"	84"	77"	52"	63"

(SEE SHEET 32 FOR DETAILS) (SEE SHEET 33 FOR DETAILS) (SEE SHEET 34 FOR DETAILS)

NOTE: 1. 48\"/>



PRECAST CONCRETE STORMWATER STRUCTURES

AREA INLET PRECAST CONCRETE

2 GRATE INLETS PRECAST CONCRETE

SINGLE STREET INLETS PRECAST CONCRETE

DOUBLE UNTRAPPED STREET INLET PRECAST CONCRETE

TRAPPED STREET INLET BASE PRECAST CONCRETE