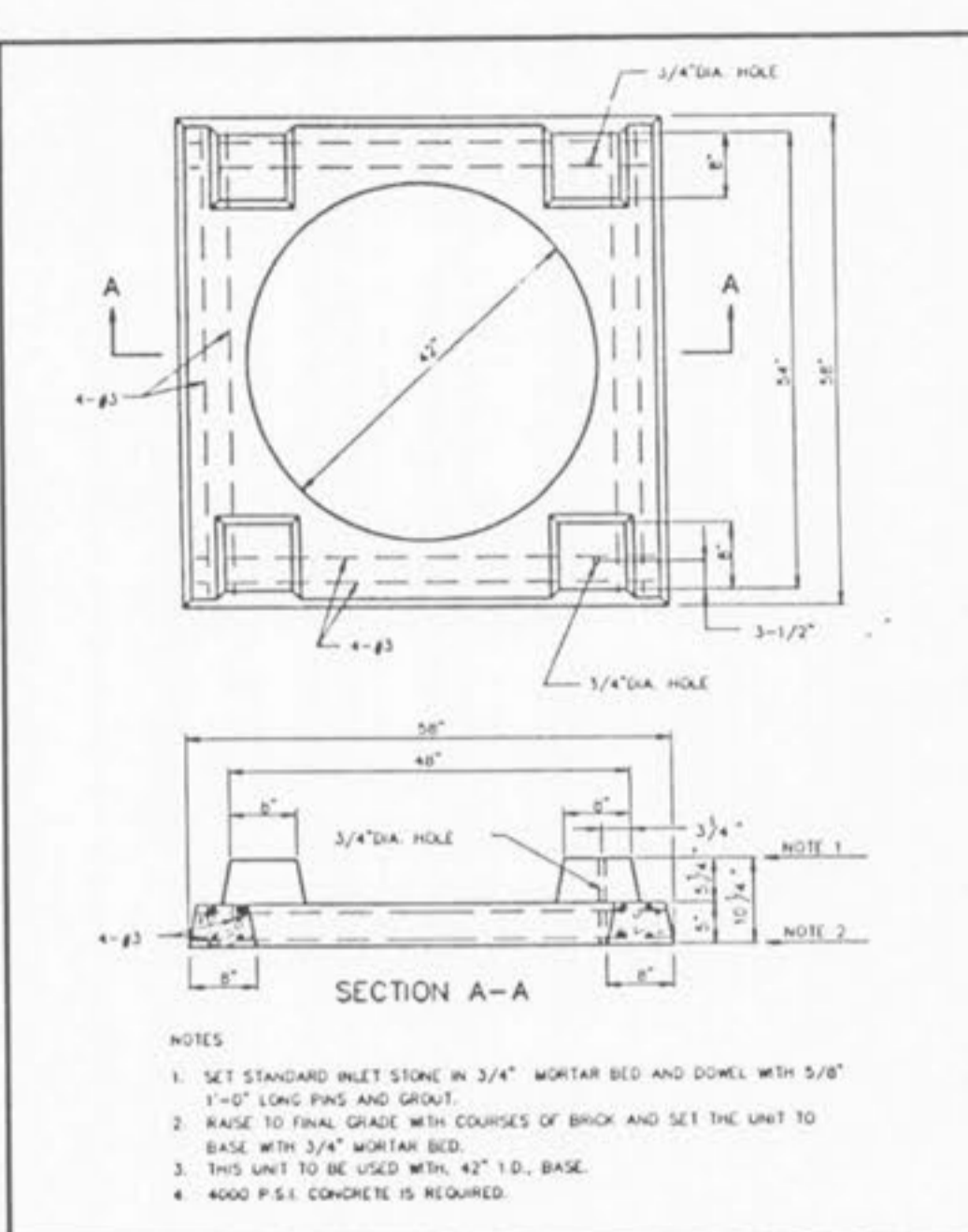
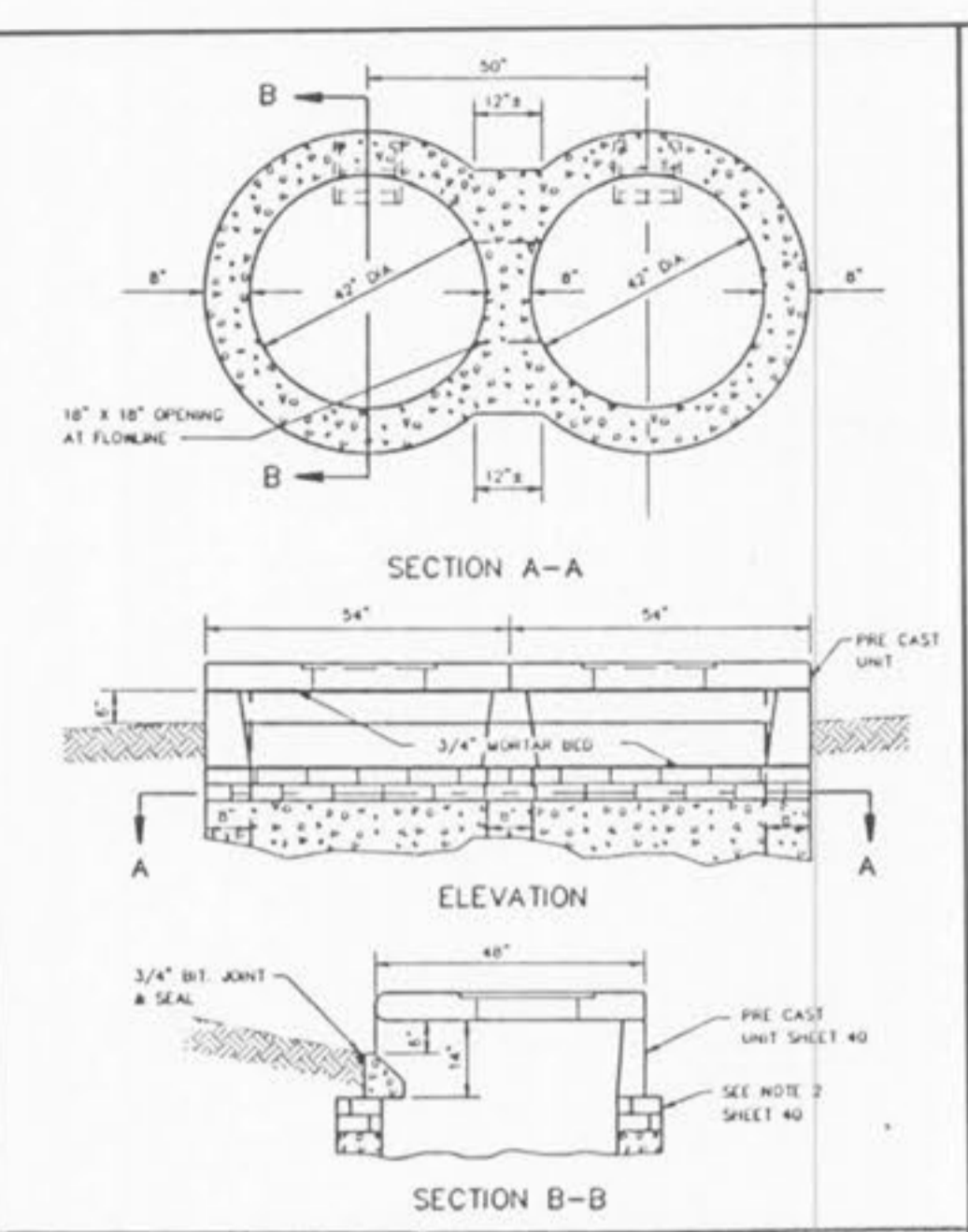


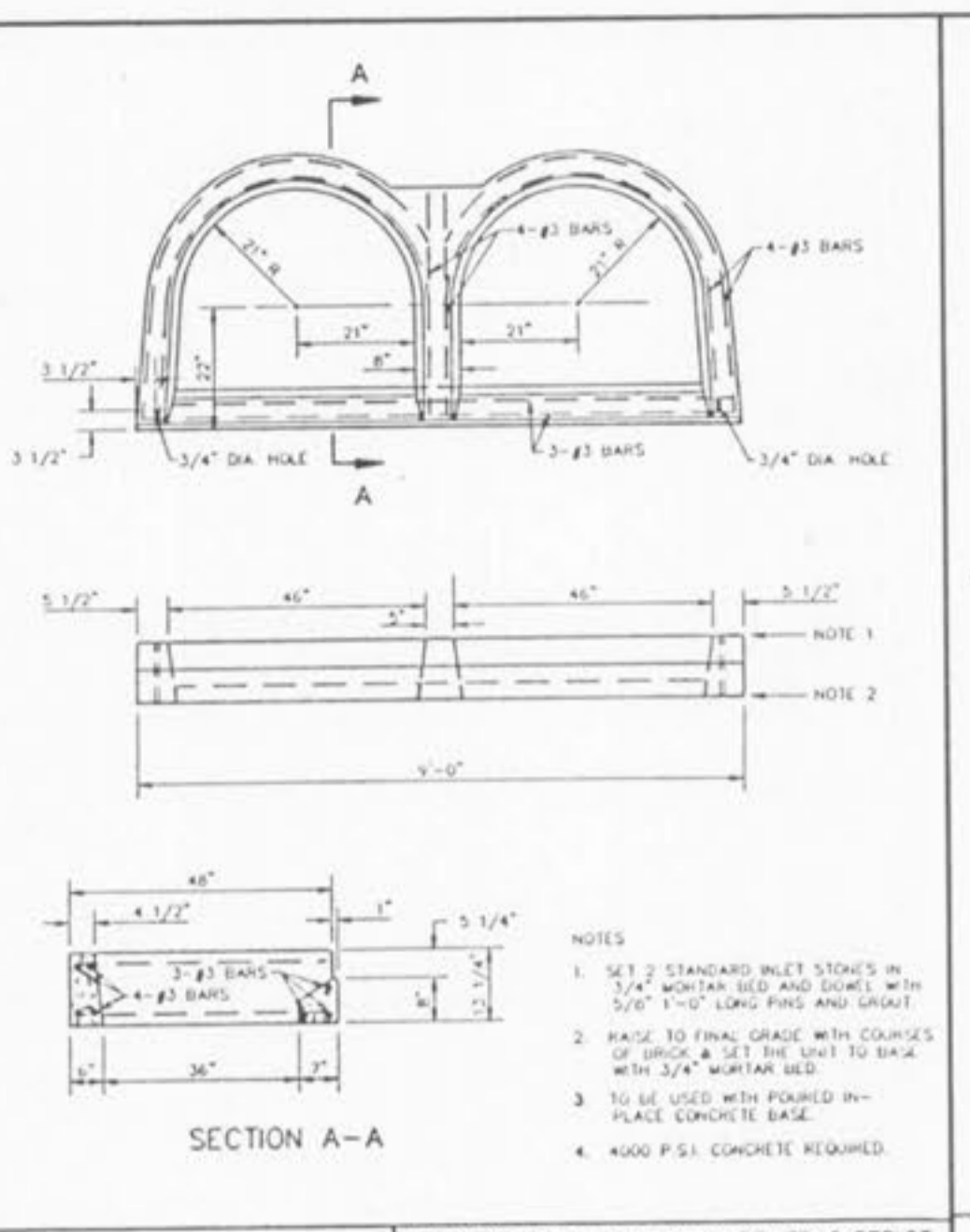
PRE-CAST CONCRETE UNIT FOR SINGLE STREET INLET
METROPOLITAN ST. LOUIS SEWER DISTRICT Standard Details of Sewer Construction
Dr. W.S.H. Ch. J.C.K. 1992 SHEET 37



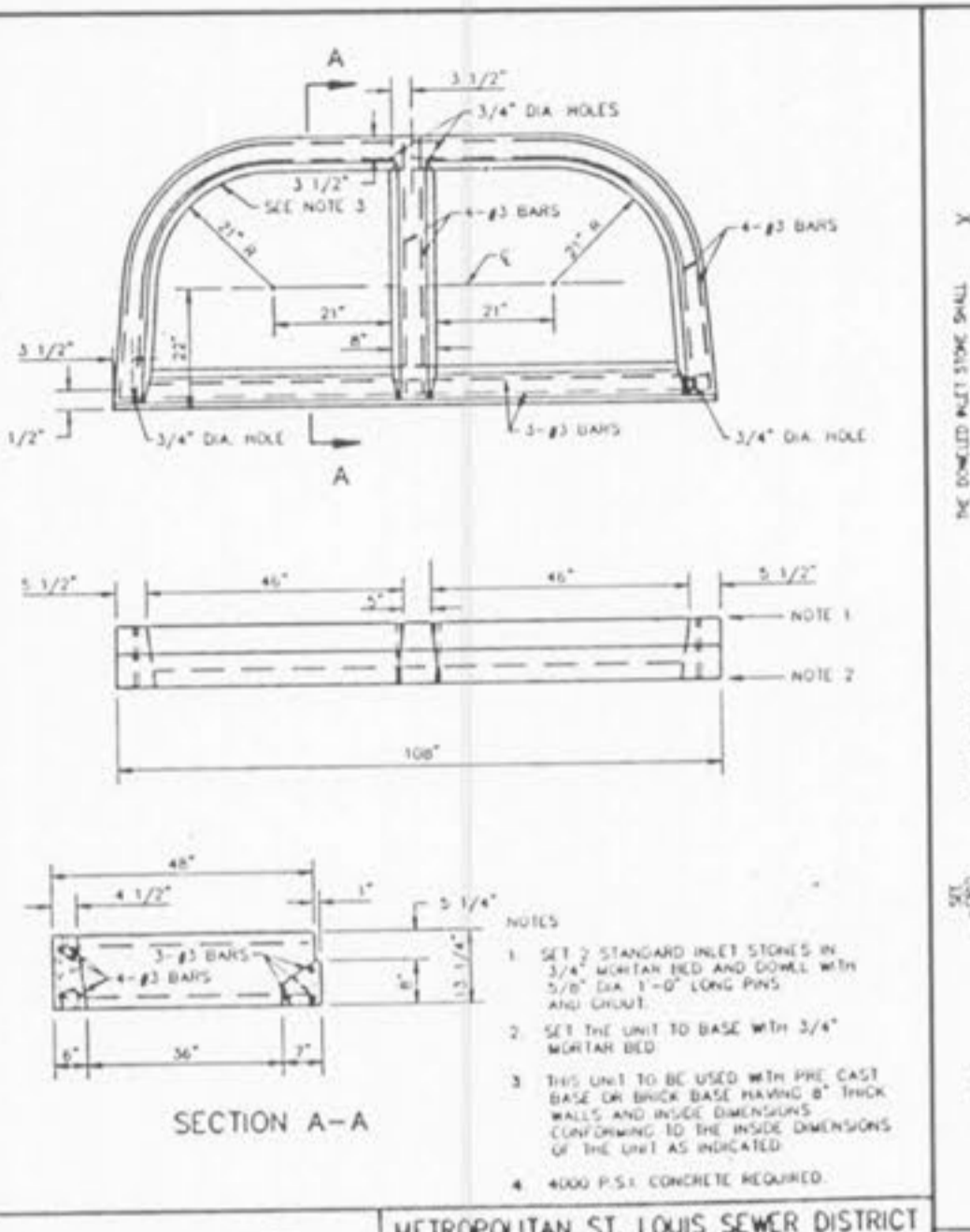
PRE-CAST CONCRETE UNIT FOR 4 WAY AREA INLET
METROPOLITAN ST. LOUIS SEWER DISTRICT Standard Details of Sewer Construction
Dr. D.A.B. Ch. J.C.K. 1992 SHEET 38



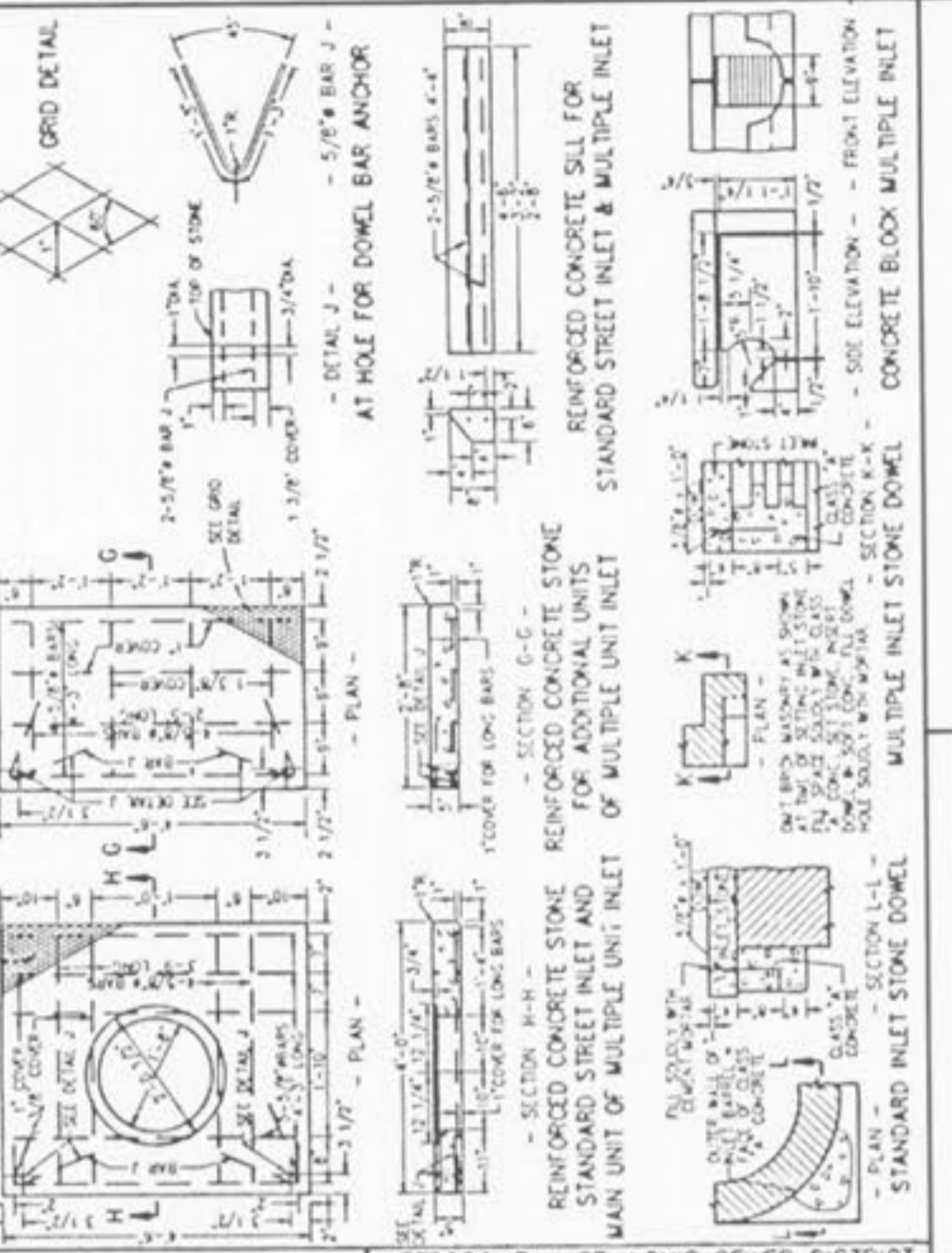
CONCRETE DOUBLE STREET INLET W/PRE CAST CONCRETE UNIT A
METROPOLITAN ST. LOUIS SEWER DISTRICT Standard Details of Sewer Construction
Dr. R.C.W. Ch. J.C.K. 1992 SHEET 39



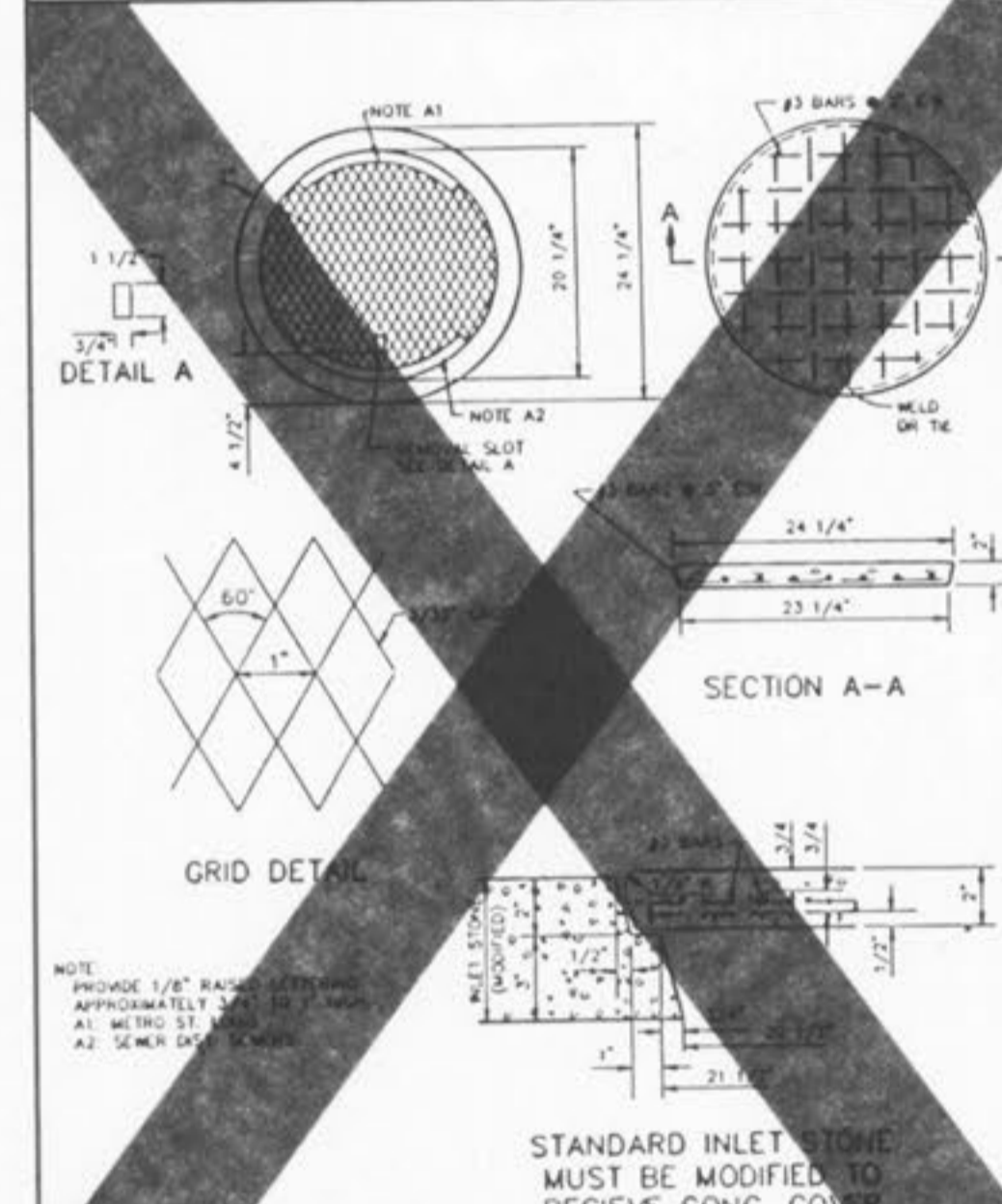
PRE-CAST CONCRETE UNIT A FOR STREET DOUBLE INLET
METROPOLITAN ST. LOUIS SEWER DISTRICT Standard Details of Sewer Construction
Dr. R.C.W. Ch. J.C.K. 1992 SHEET 40



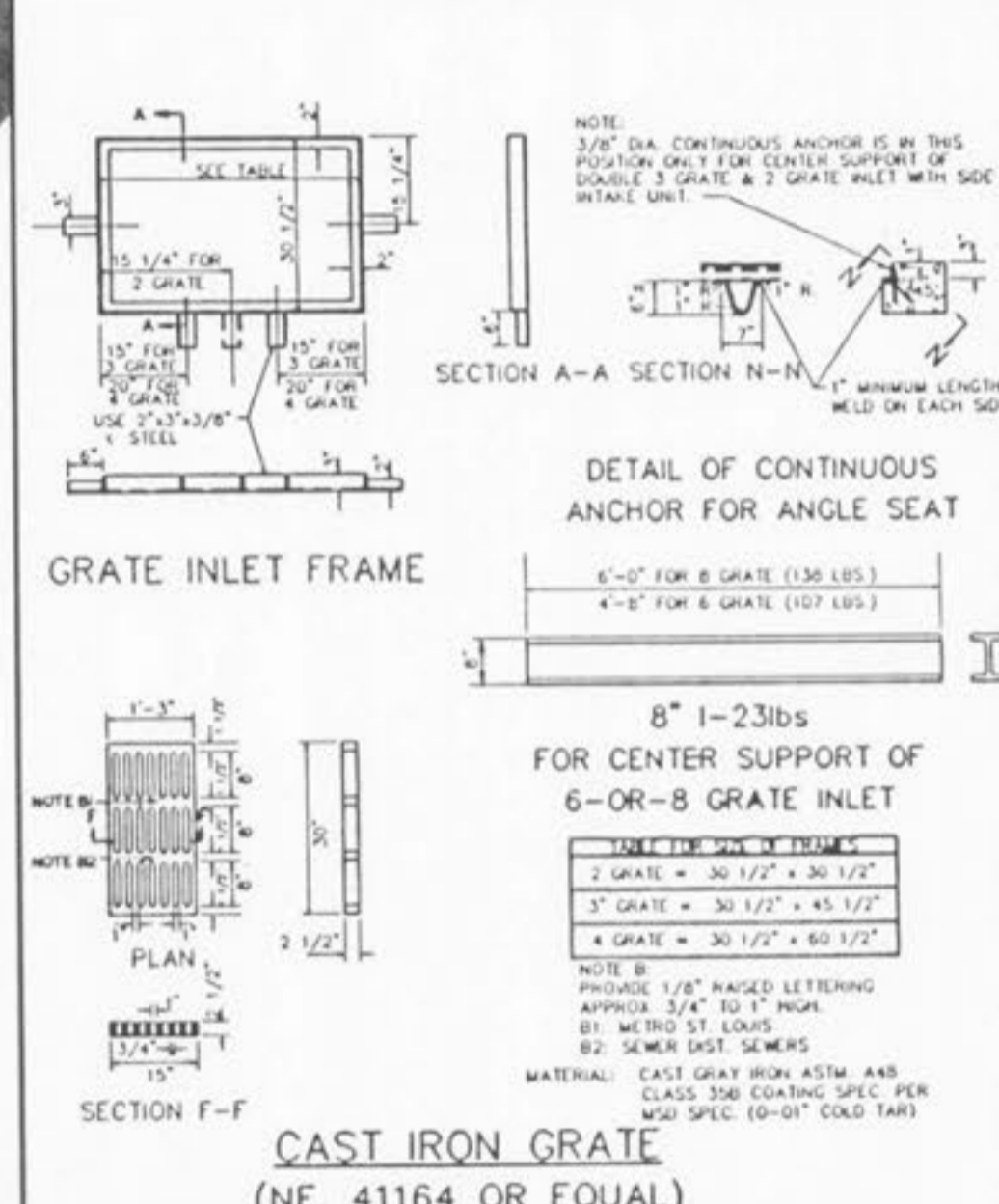
PRE-CAST CONCRETE UNIT B FOR STREET DOUBLE INLET
METROPOLITAN ST. LOUIS SEWER DISTRICT Standard Details of Sewer Construction
Dr. R.C.W. Ch. J.C.K. 1992 SHEET 41



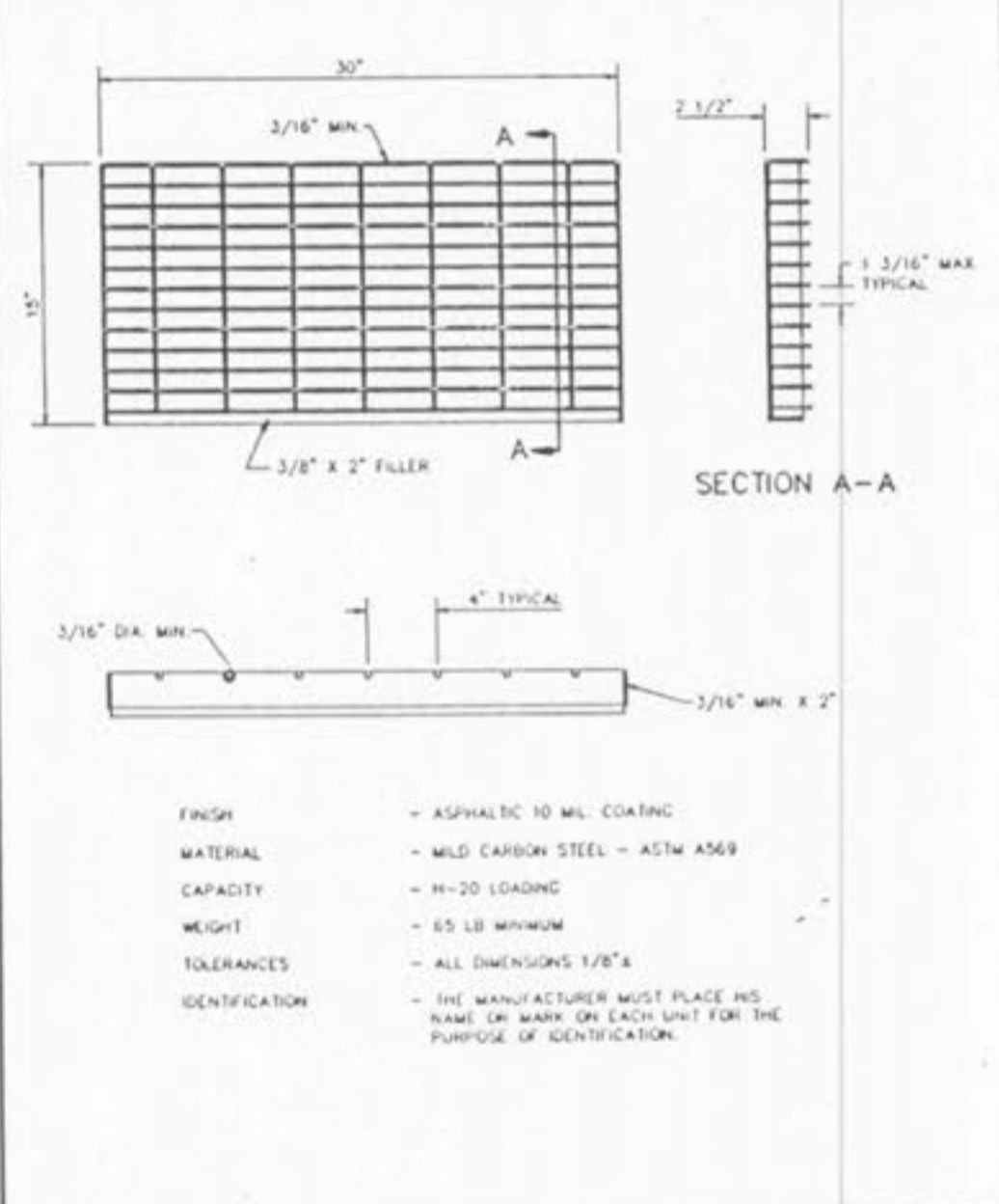
STANDARD - INLET STONES, BLOCKS & DESIGN DETAILS
METROPOLITAN ST. LOUIS SEWER DISTRICT Standard Details of Sewer Construction
Dr. W.S.H. Ch. J.C.K. 1992 SHEET 42



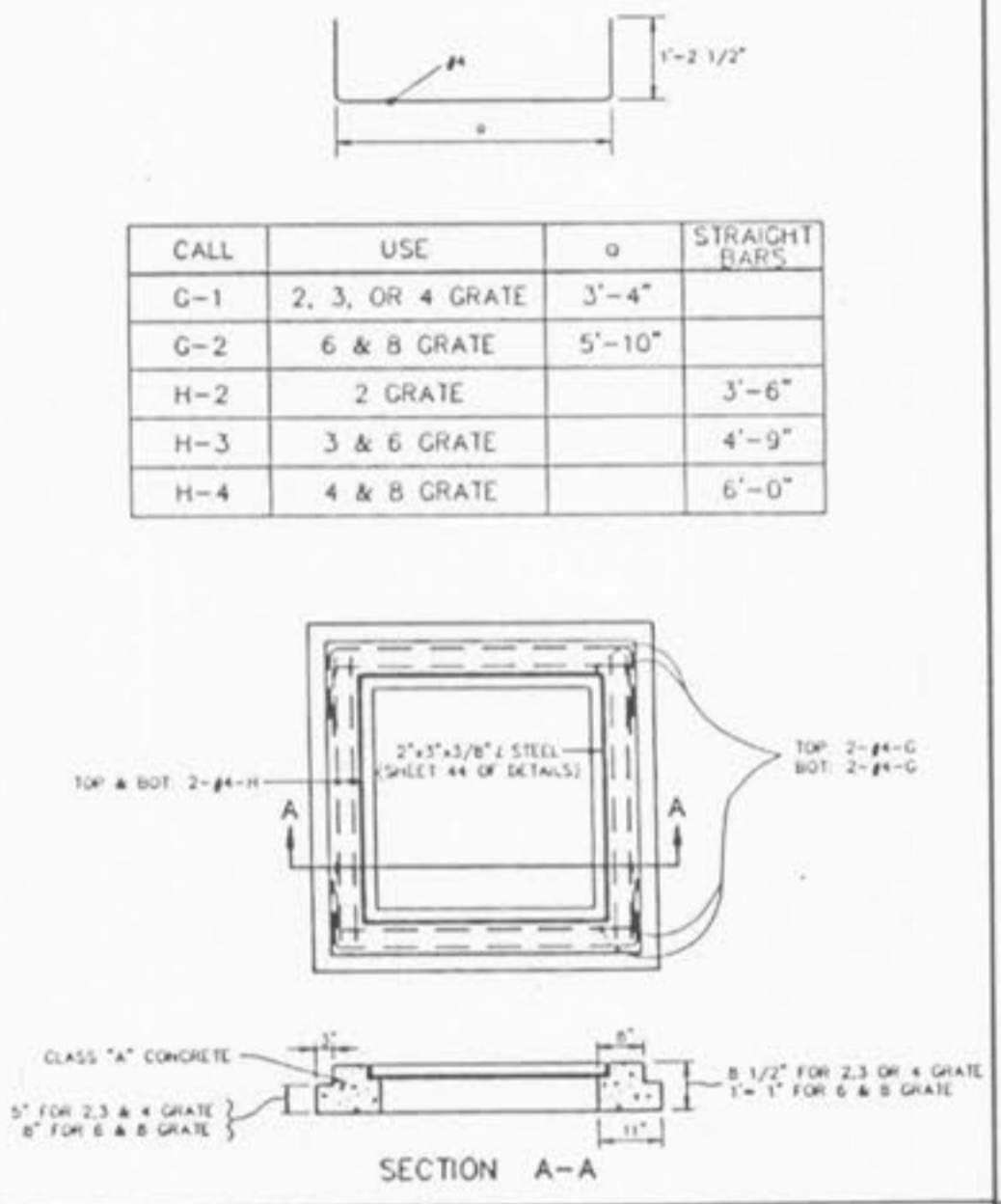
CAST CONCRETE INLET COVER
METROPOLITAN ST. LOUIS SEWER DISTRICT Standard Details of Sewer Construction
Dr. R.C.W. Ch. J.C.K. 1992 SHEET 43



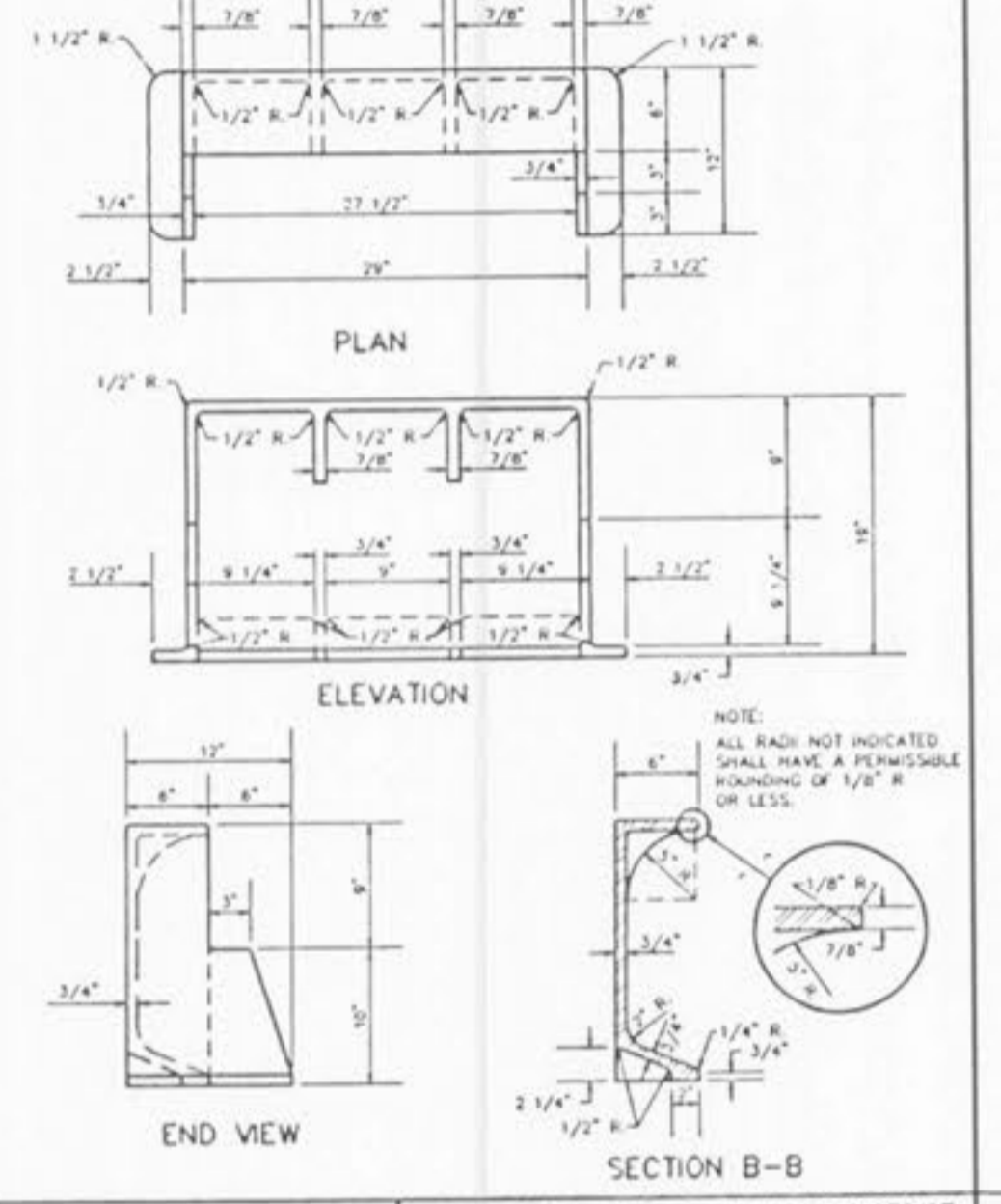
DETAILS OF INLET FRAME AND GRATES
METROPOLITAN ST. LOUIS SEWER DISTRICT Standard Details of Sewer Construction
Dr. R.C.W. Ch. J.C.K. 1992 SHEET 44



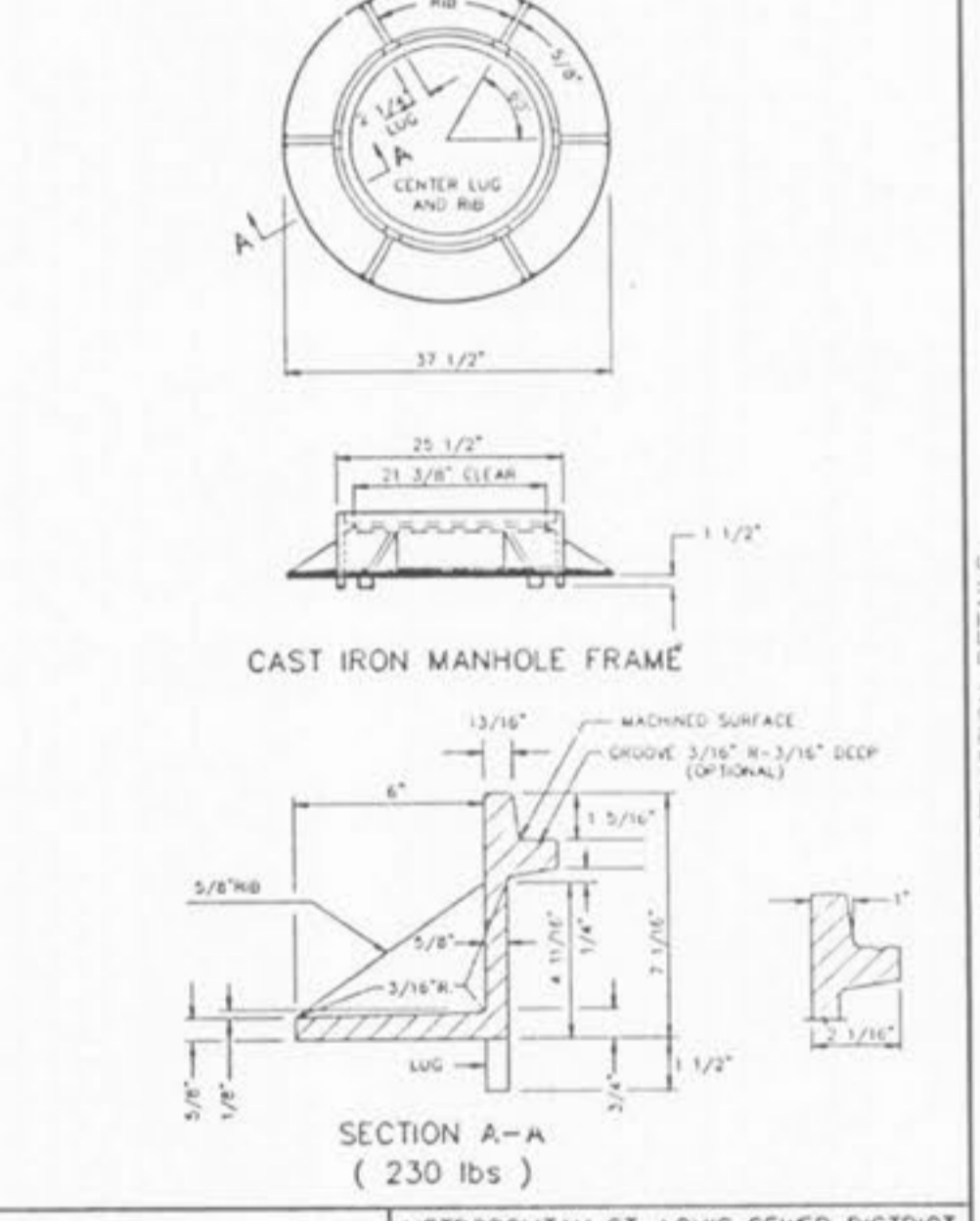
DETAIL OF STEEL GRATE
METROPOLITAN ST. LOUIS SEWER DISTRICT Standard Details of Sewer Construction
Dr. R.C.W. Ch. J.C.K. 1992 SHEET 45



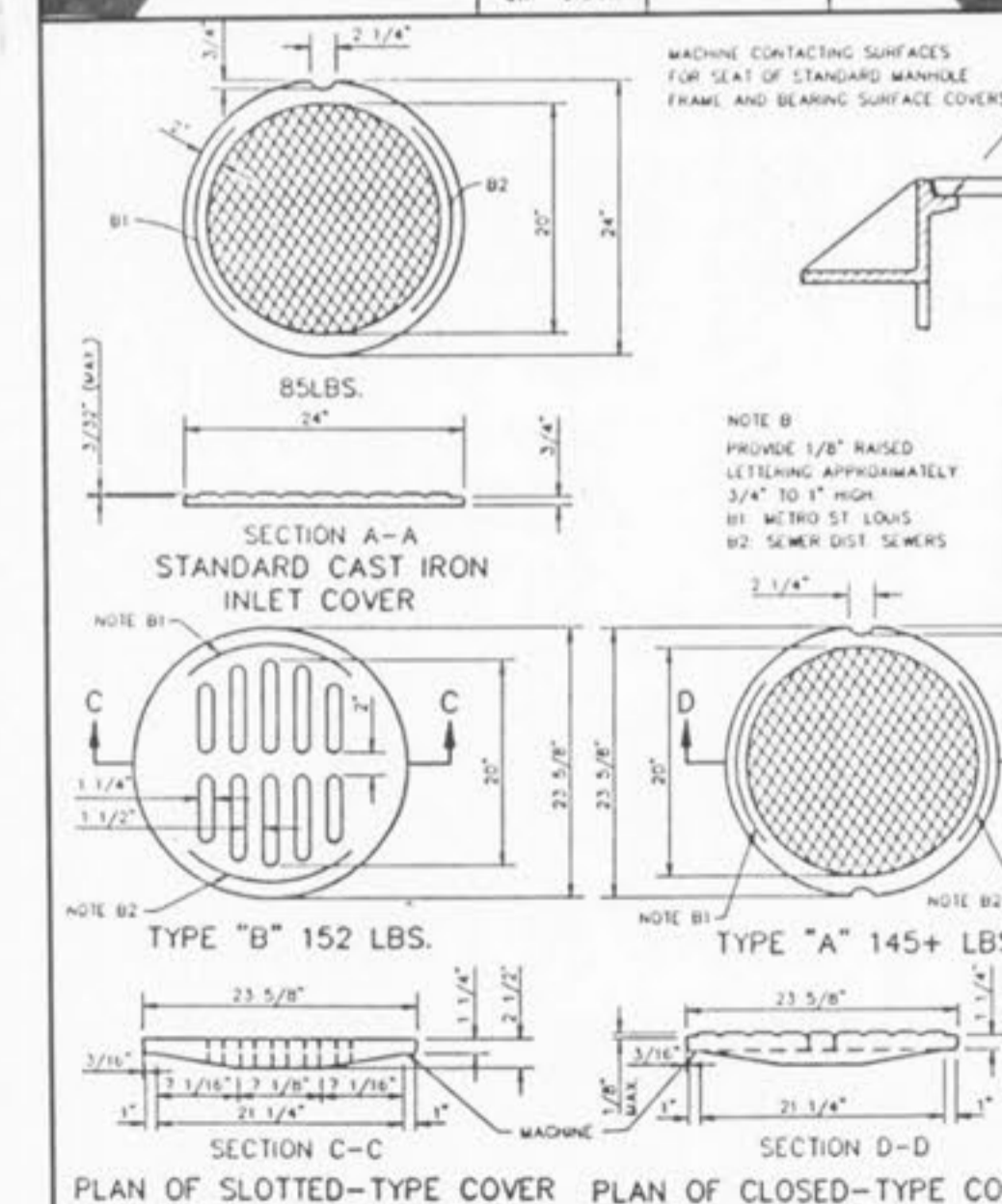
STEEL REQUIREMENTS FOR GRATE INLET SEAT
METROPOLITAN ST. LOUIS SEWER DISTRICT Standard Details of Sewer Construction
Dr. W.S.H. Ch. J.C.K. 1992 SHEET 46



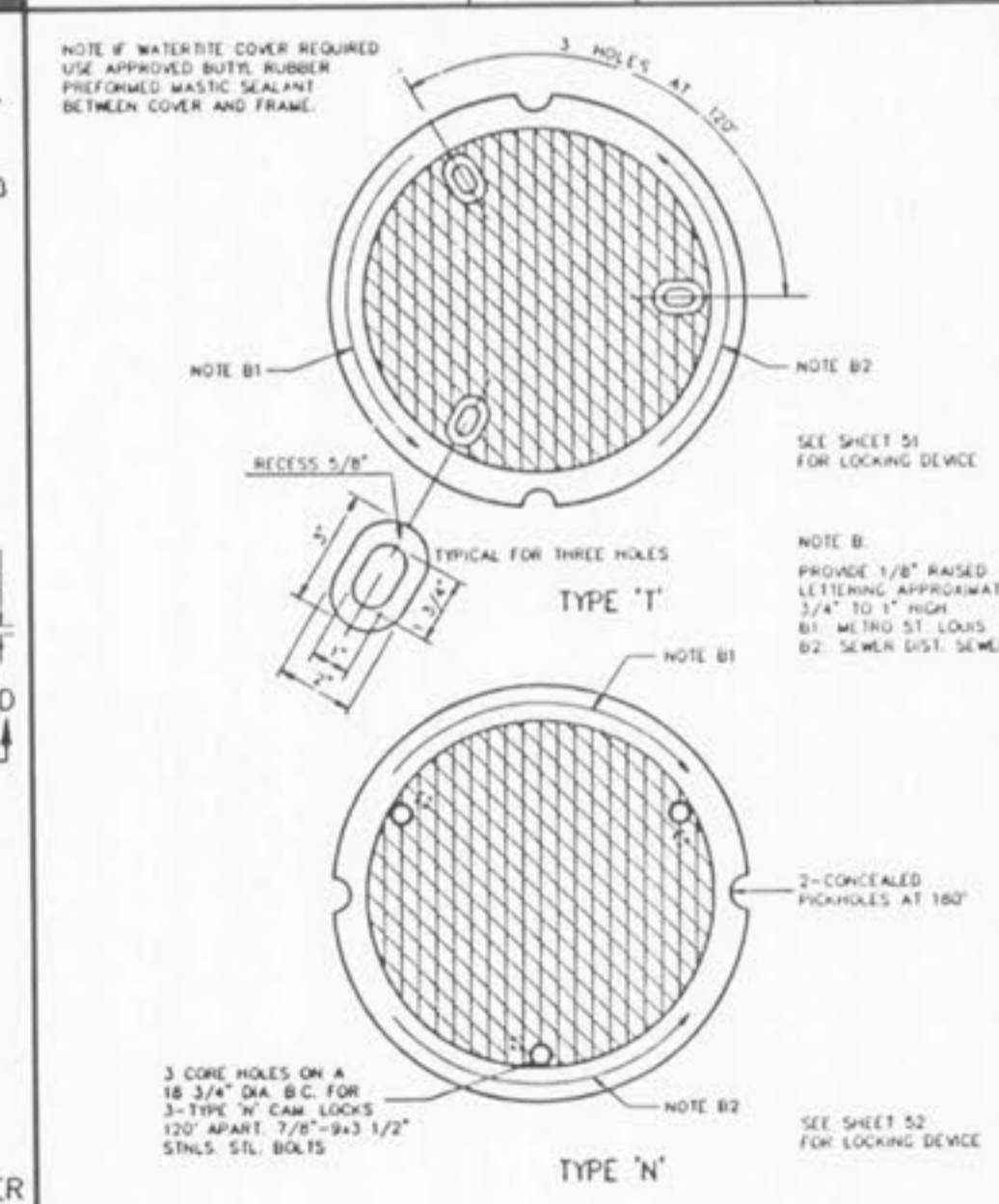
CAST IRON SIDE INTAKE UNIT FOR GRATED INLETS 249 LBS.
METROPOLITAN ST. LOUIS SEWER DISTRICT Standard Details of Sewer Construction
Dr. R.C.W. Ch. J.C.K. 1992 SHEET 47



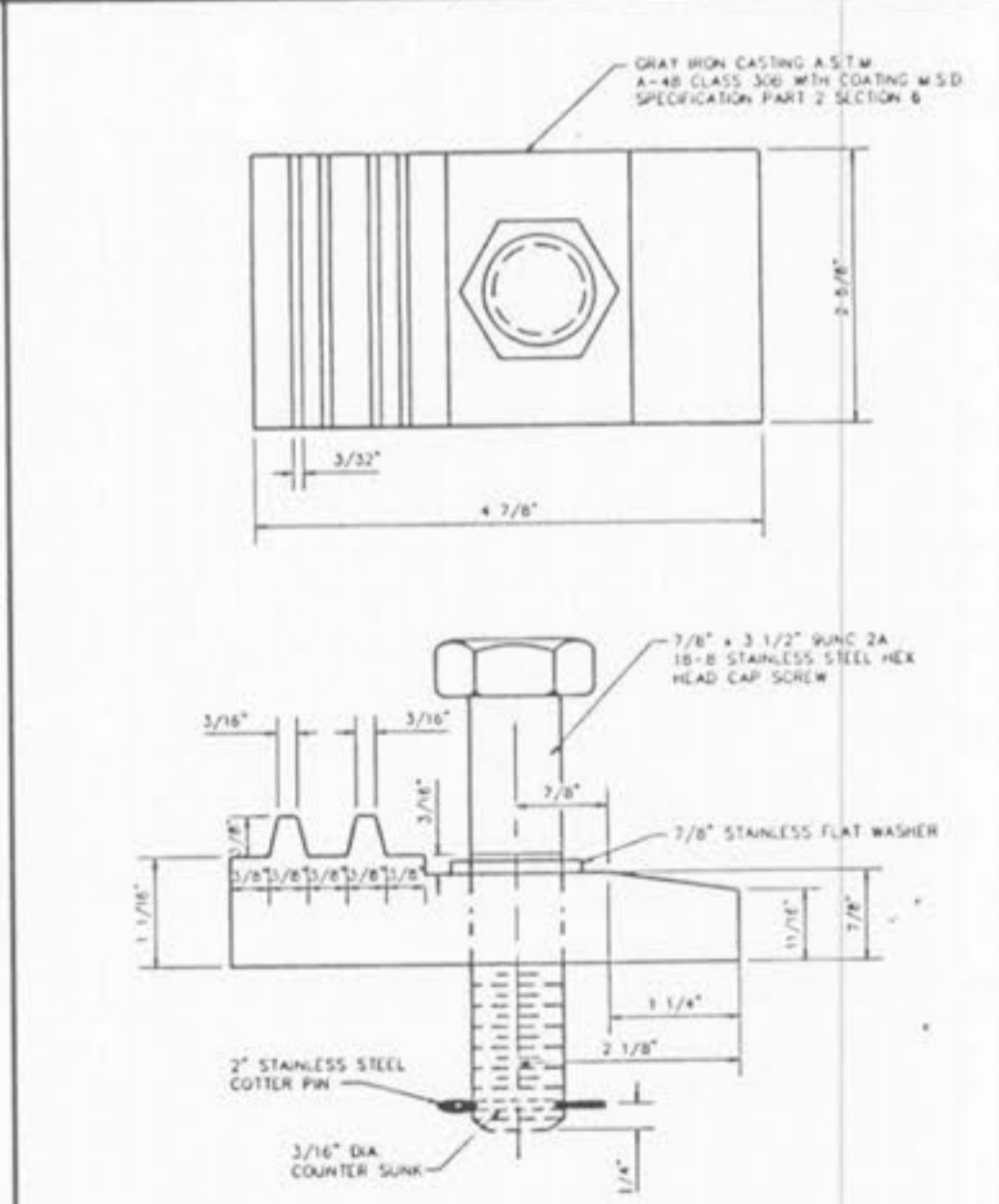
CAST IRON MANHOLE FRAME
METROPOLITAN ST. LOUIS SEWER DISTRICT Standard Details of Sewer Construction
Dr. D.A.B. Ch. J.C.K. 1992 SHEET 48



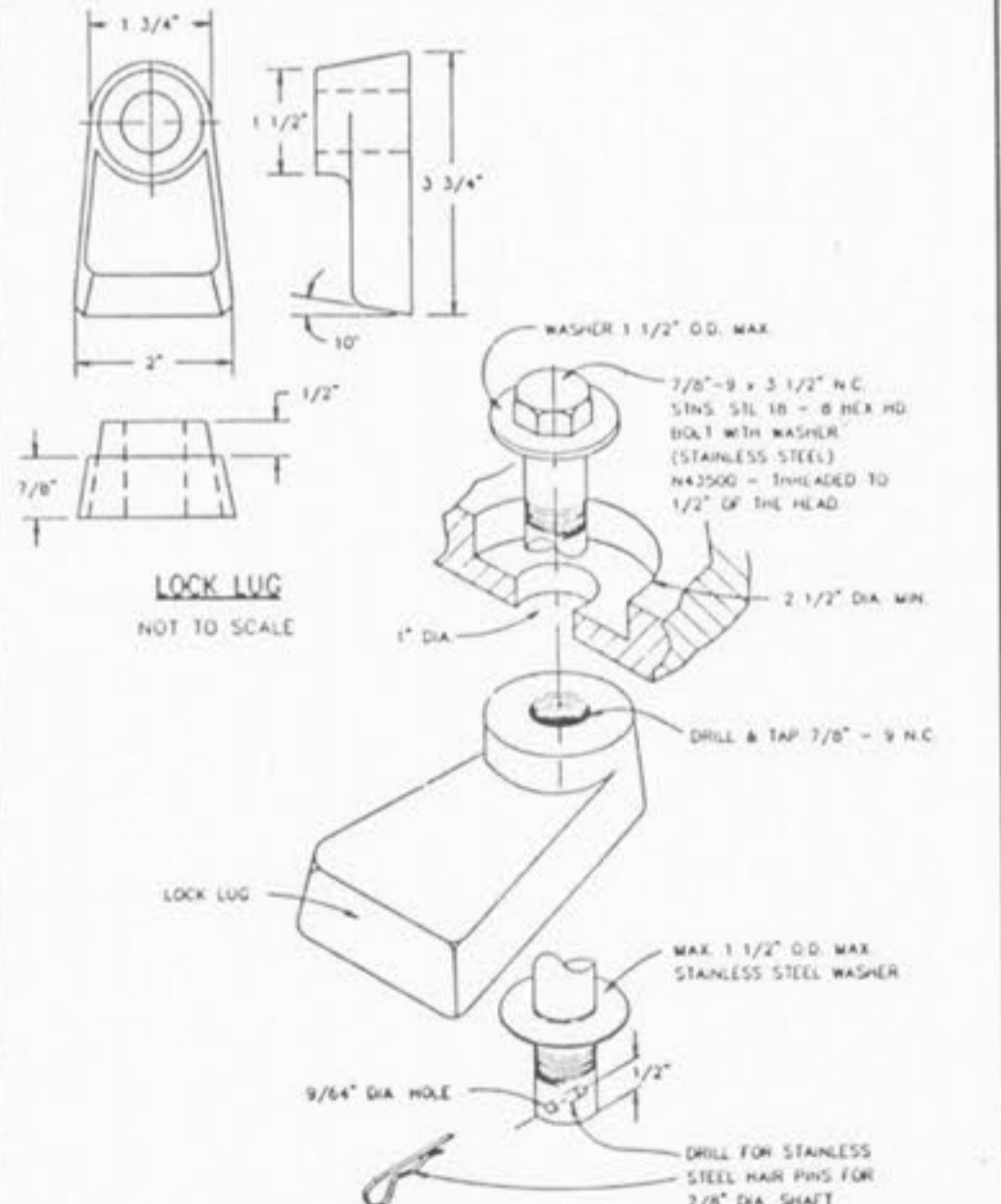
CAST IRON COVERS MANHOLES AND INLETS
METROPOLITAN ST. LOUIS SEWER DISTRICT Standard Details of Sewer Construction
Dr. R.C.W. Ch. J.C.K. 1992 SHEET 49



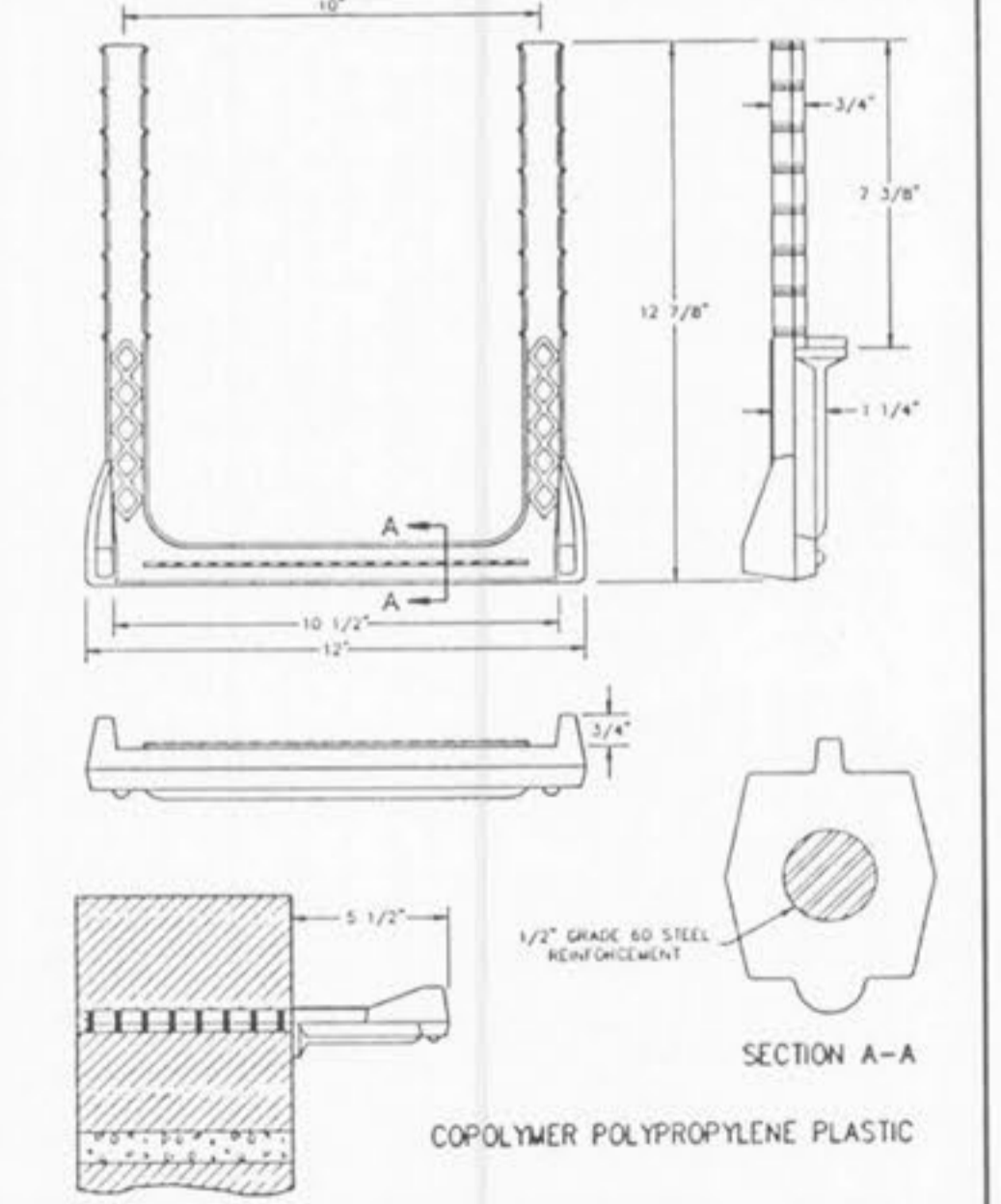
CAST IRON MANHOLE COVERS (LOCK TYPE)
METROPOLITAN ST. LOUIS SEWER DISTRICT Standard Details of Sewer Construction
Dr. W.S.H. Ch. J.C.K. 1992 SHEET 50



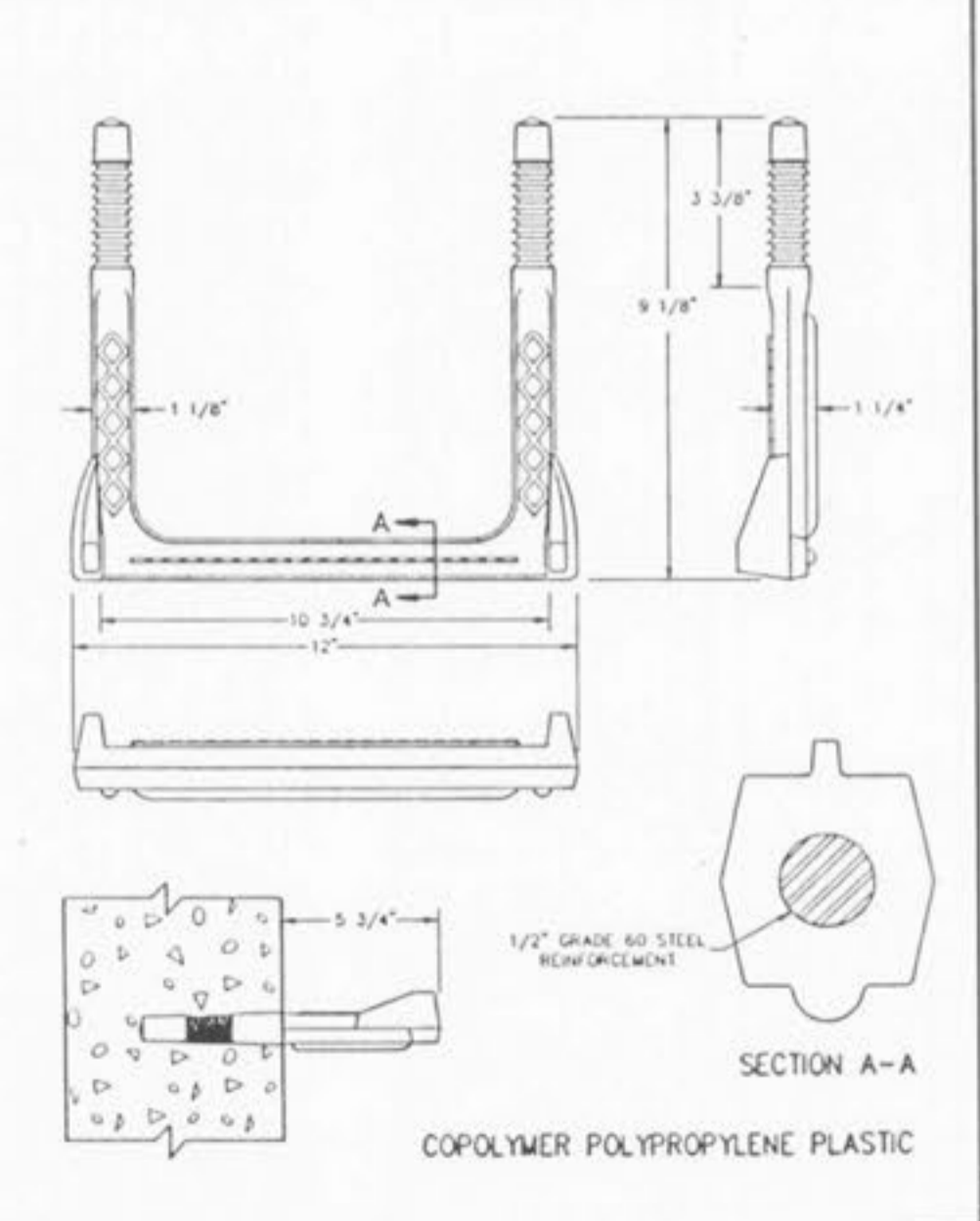
LOCKING DEVICE FOR TYPE 'T' LOCK TYPE MANHOLE COVER
METROPOLITAN ST. LOUIS SEWER DISTRICT Standard Details of Sewer Construction
Dr. R.C.W. Ch. J.C.K. 1992 SHEET 51



LOCKING DEVICE FOR TYPE 'N' LOCK TYPE MANHOLE COVER
METROPOLITAN ST. LOUIS SEWER DISTRICT Standard Details of Sewer Construction
Dr. J.L.C. Ch. J.C.K. 1992 SHEET 52



PS1-B MANHOLE STEP INTO JOINT
METROPOLITAN ST. LOUIS SEWER DISTRICT Standard Details of Sewer Construction
Dr. W.S.H. Ch. J.C.K. 1992 SHEET 53



MANHOLE STEP FOR PRECAST MANHOLE
METROPOLITAN ST. LOUIS SEWER DISTRICT Standard Details of Sewer Construction
Dr. D.A.B. Ch. J.C.K. 1992 SHEET 54