

TYPICAL PRE-CAST MH. TEE FOR REINFORCED CONCRETE PIPE SEWERS 48" AND LARGER IN DIAMETER

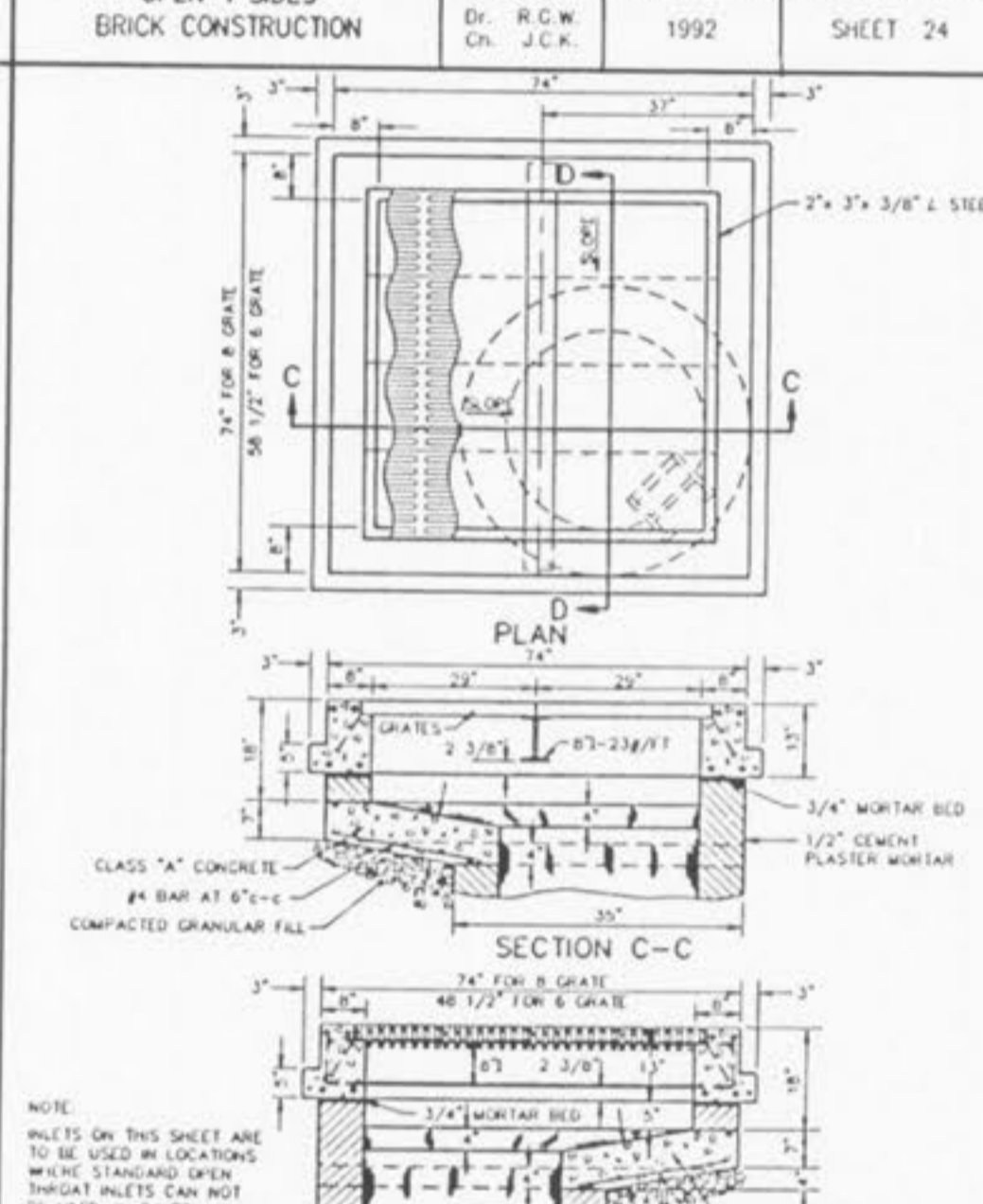
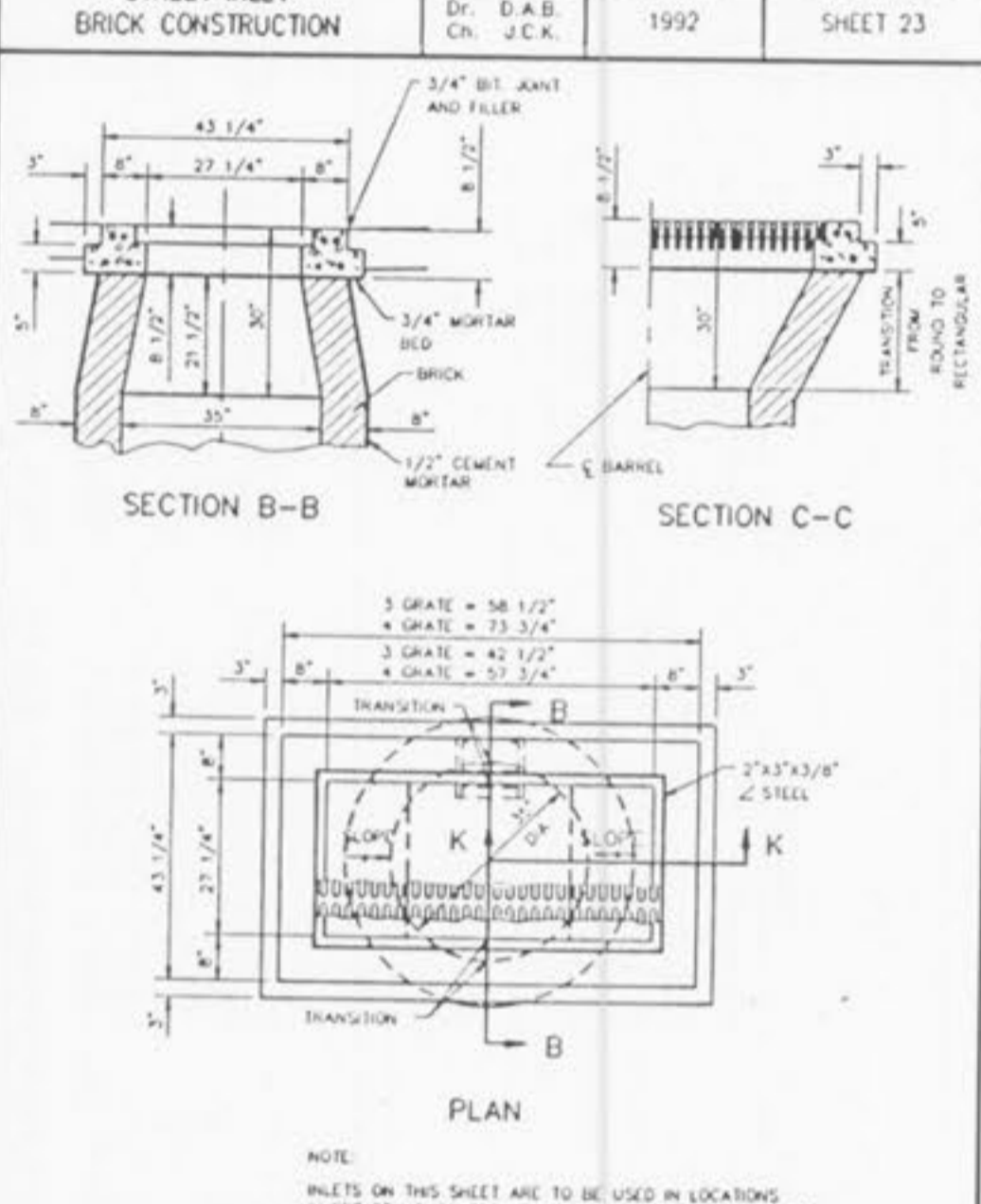
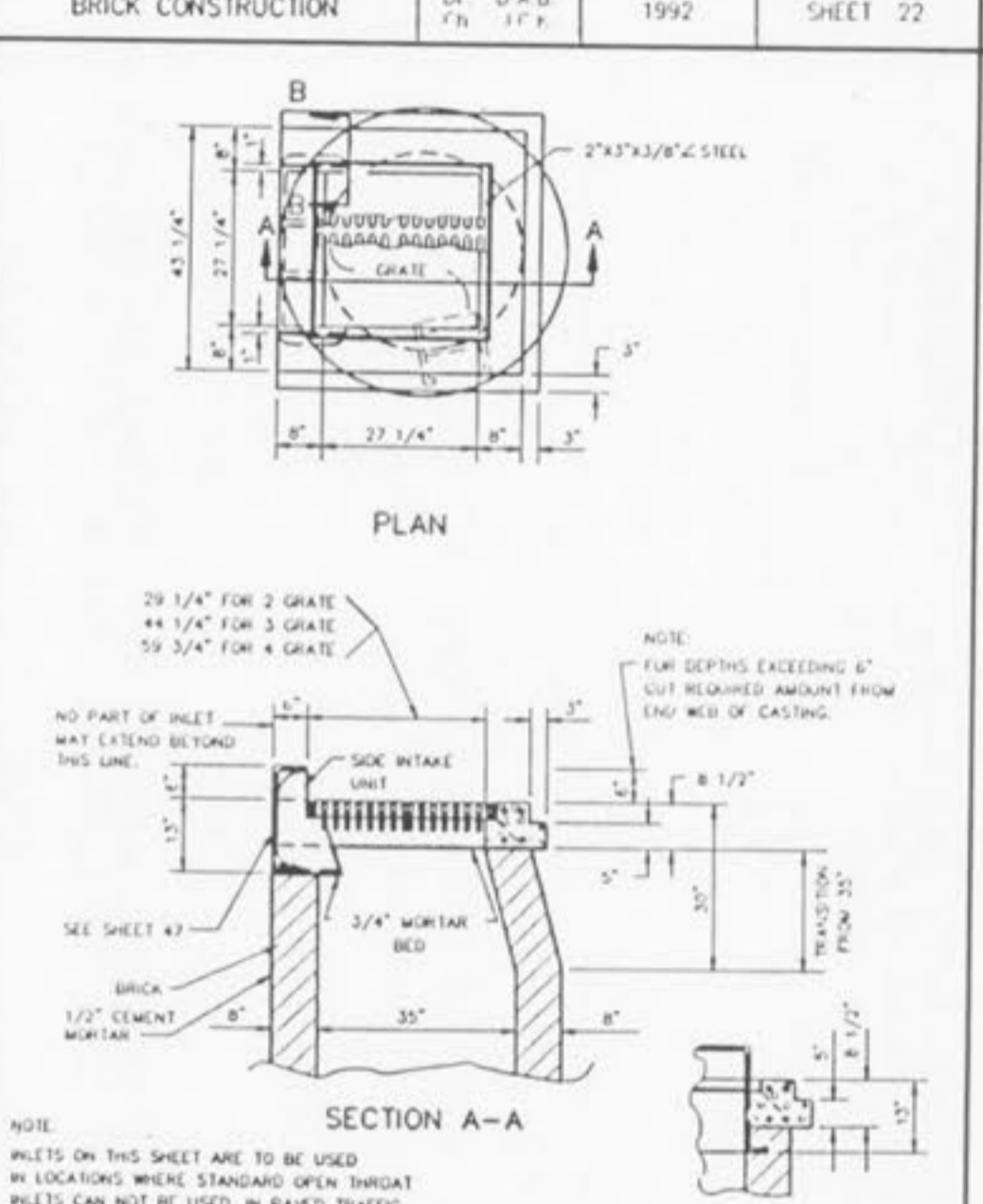
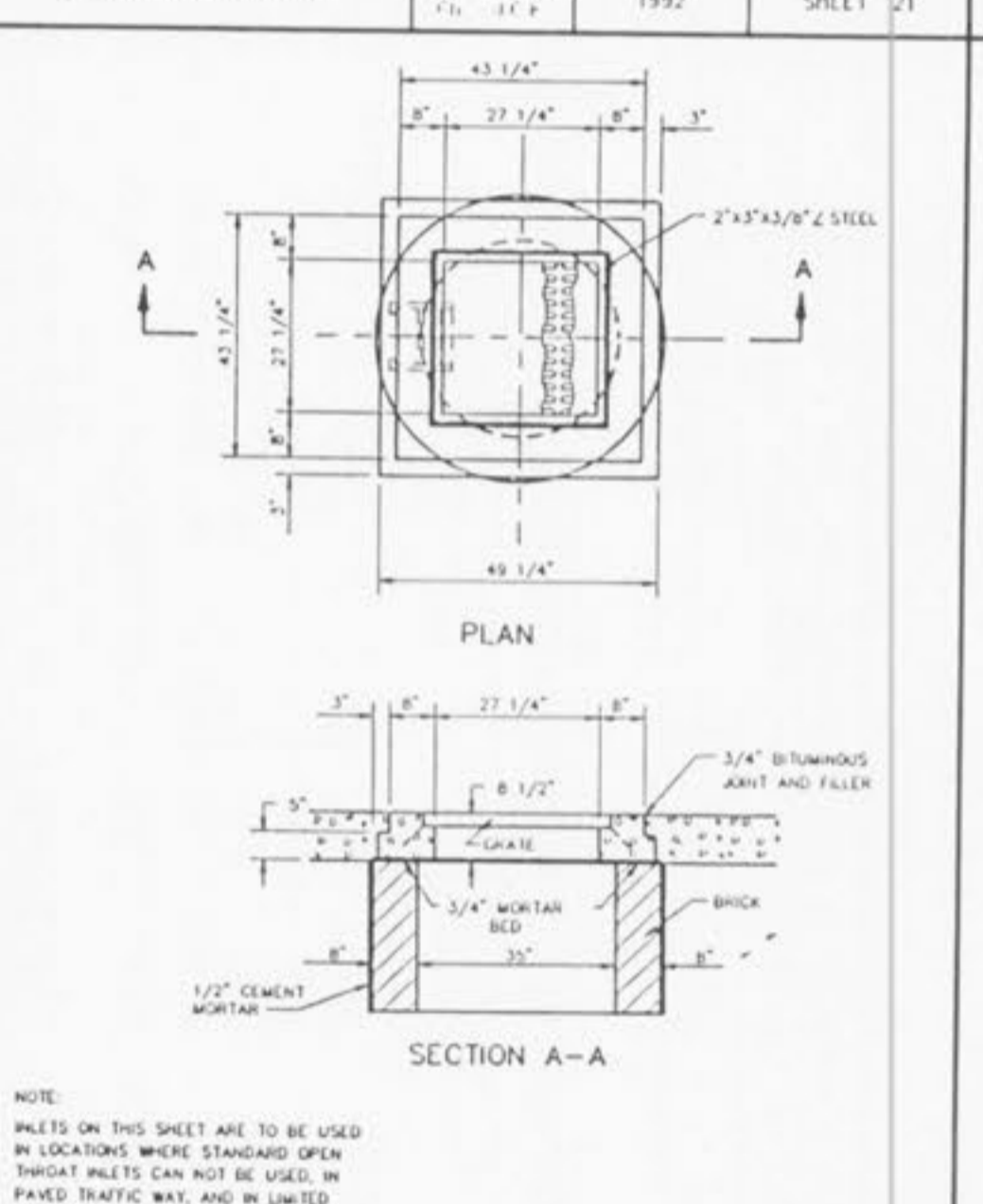
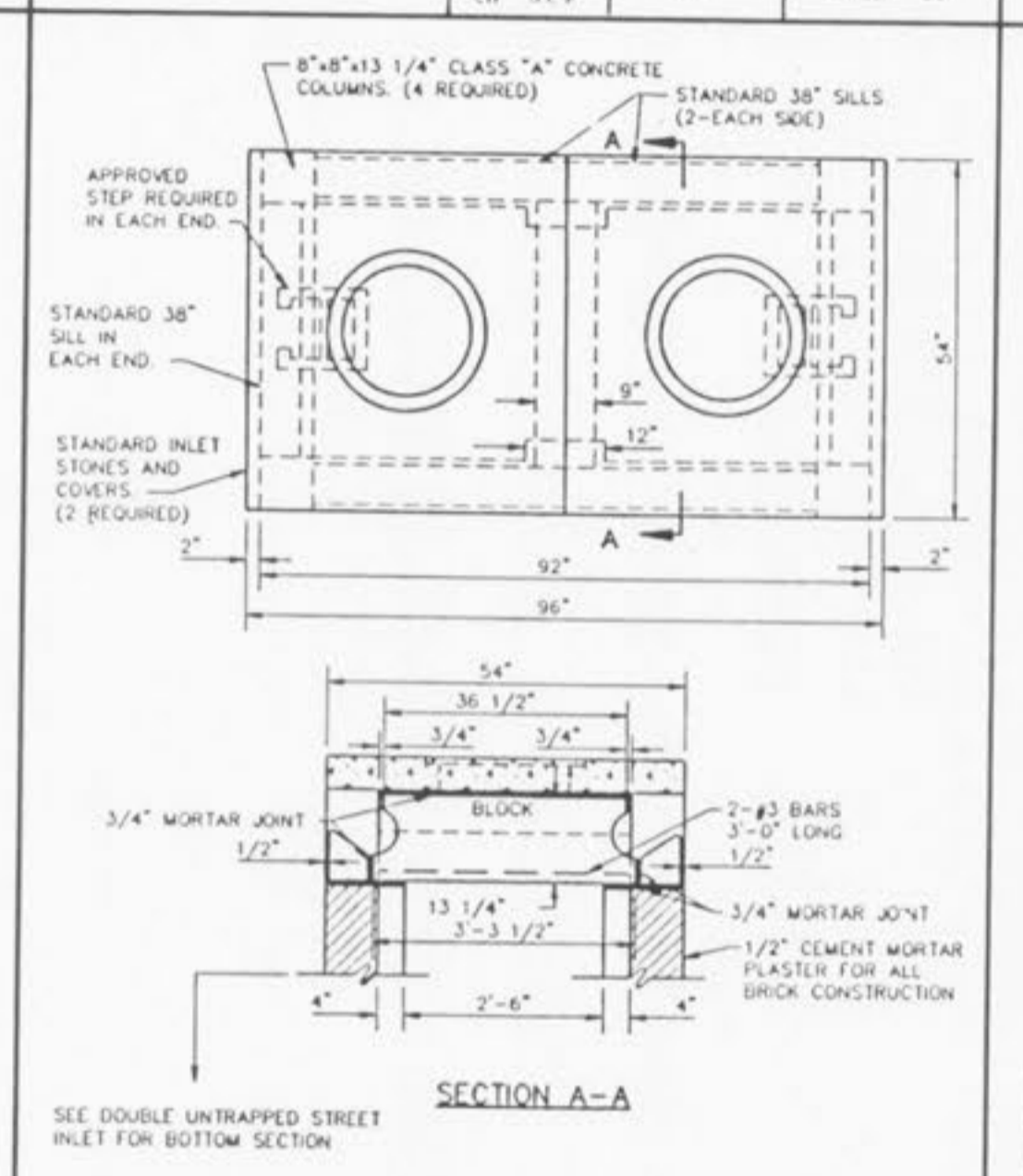
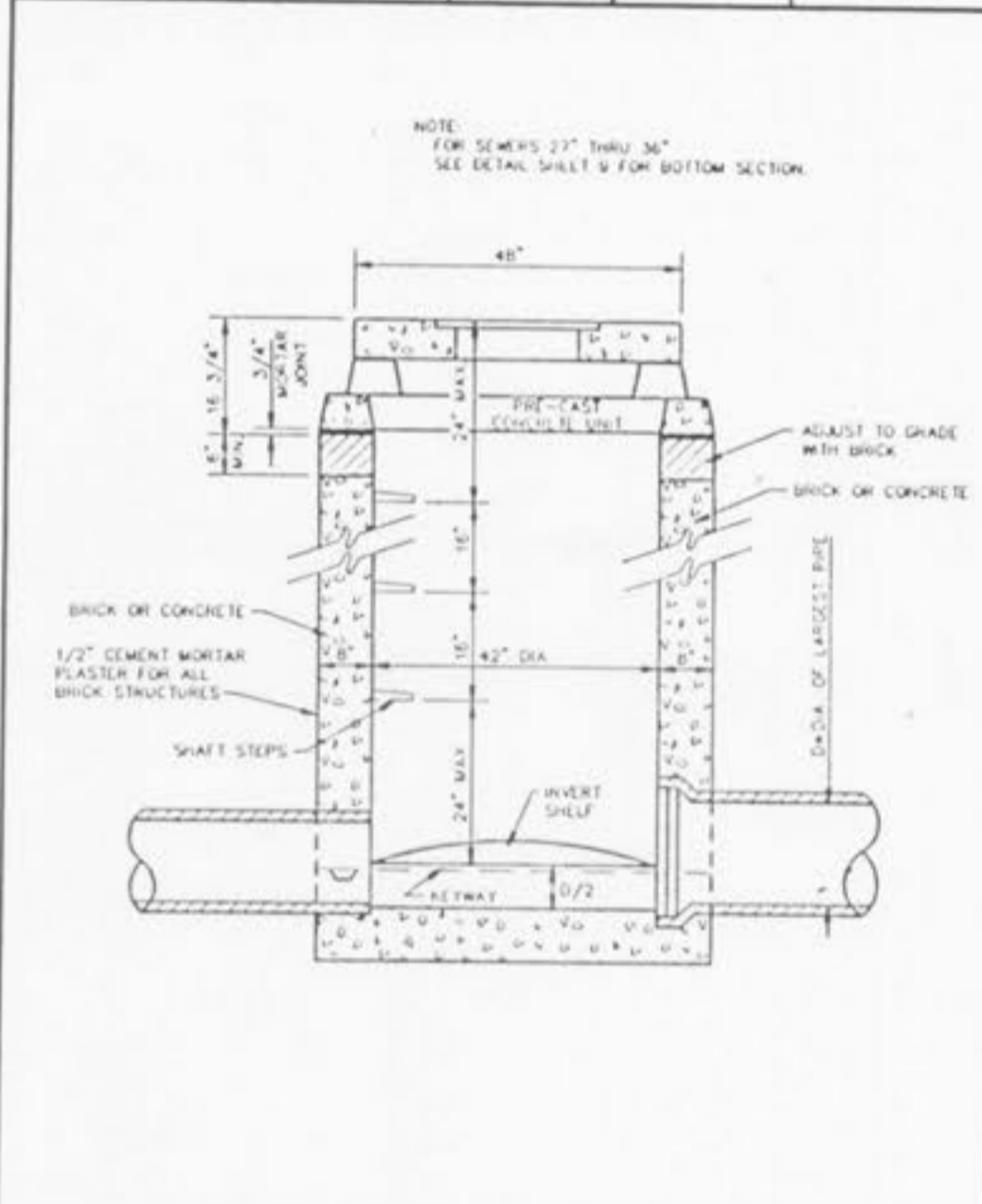
UNTRAPPED STREET INLET BRICK CONSTRUCTION

TRAPPED STREET INLET BRICK CONSTRUCTION

MULTIPLE STREET INLET BRICK CONSTRUCTION

DOUBLE UNTRAPPED STREET INLET BRICK CONSTRUCTION

AREA INLET OPEN 4 SIDES BRICK CONSTRUCTION



AREA INLET MANHOLE (12" THRU 24")

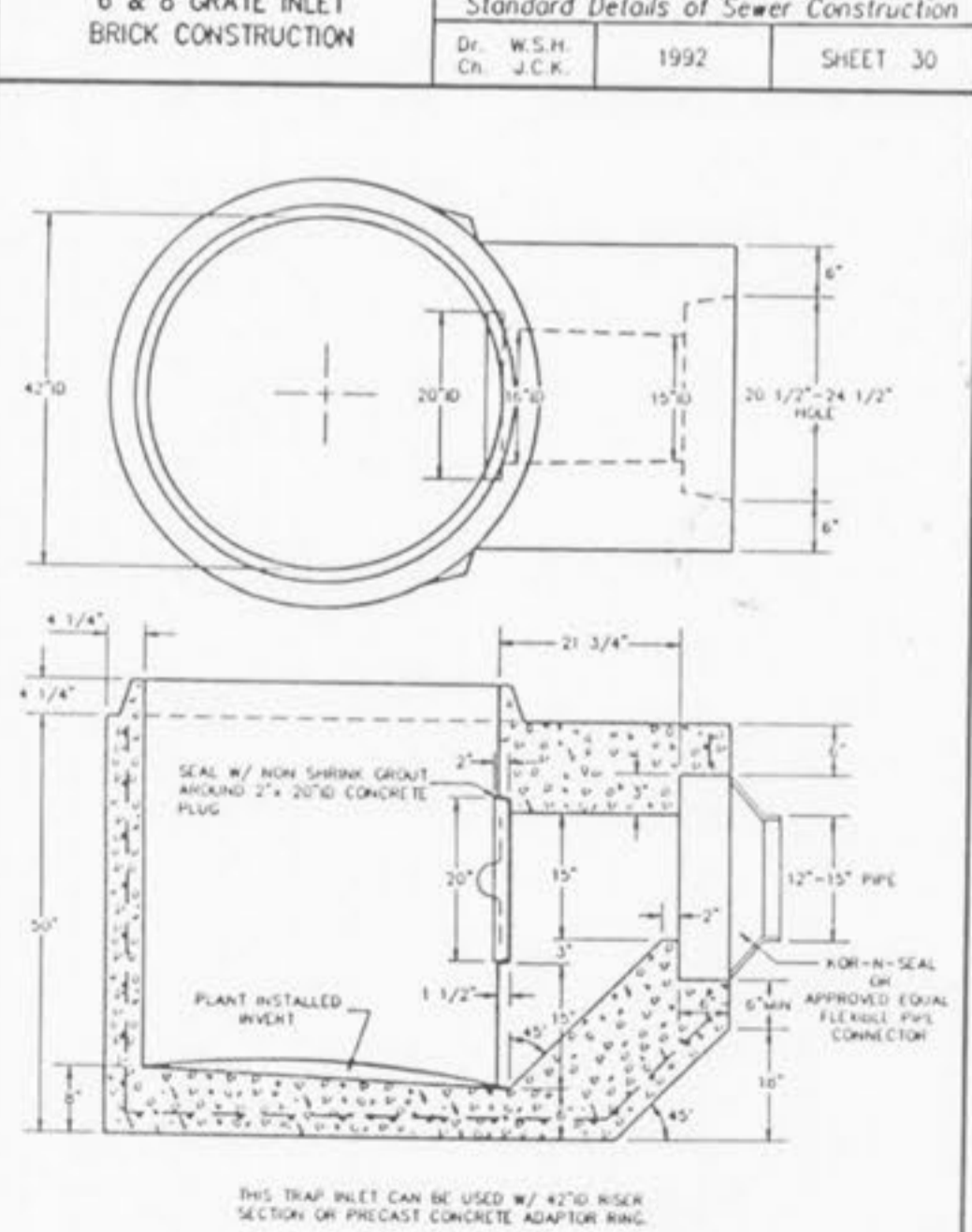
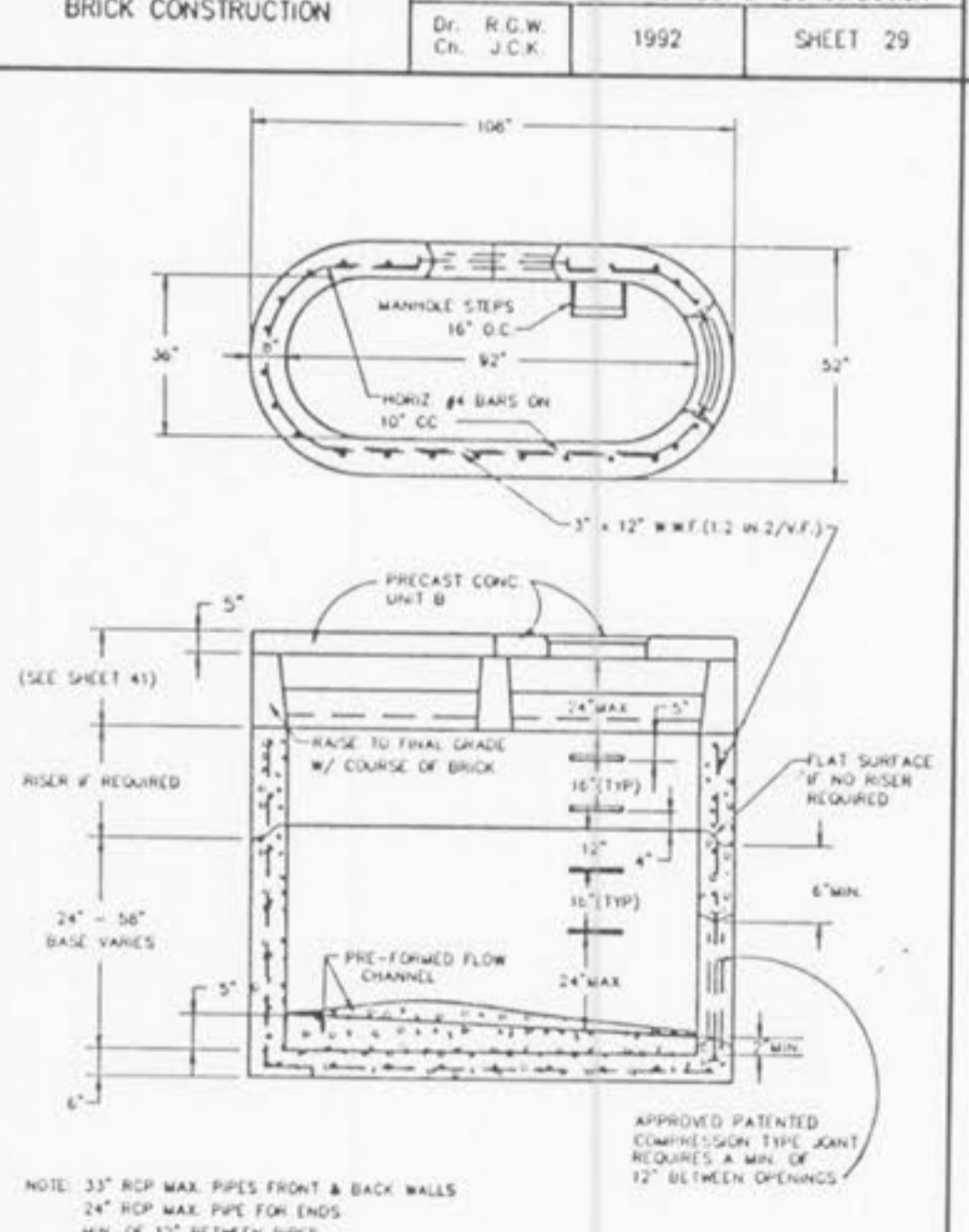
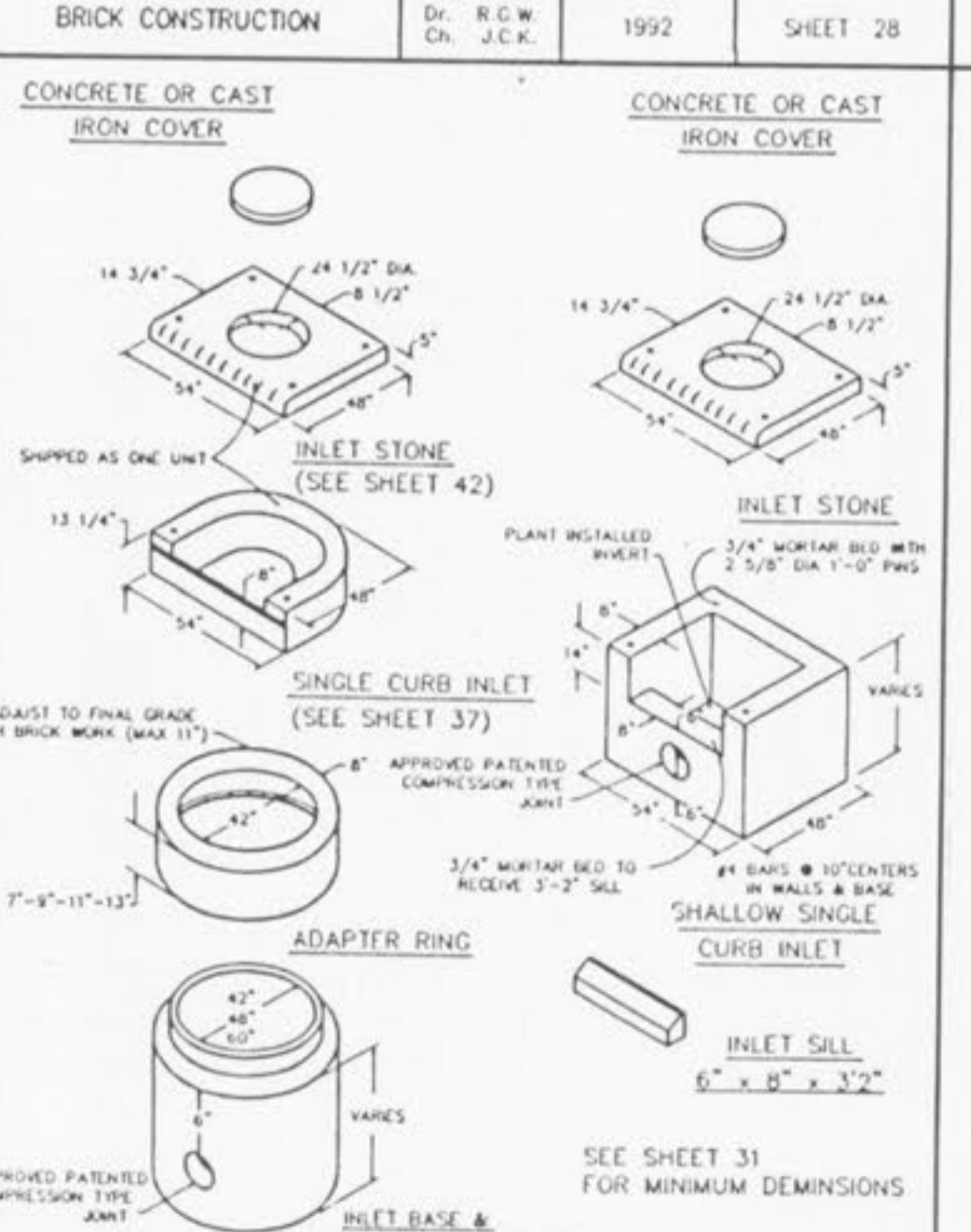
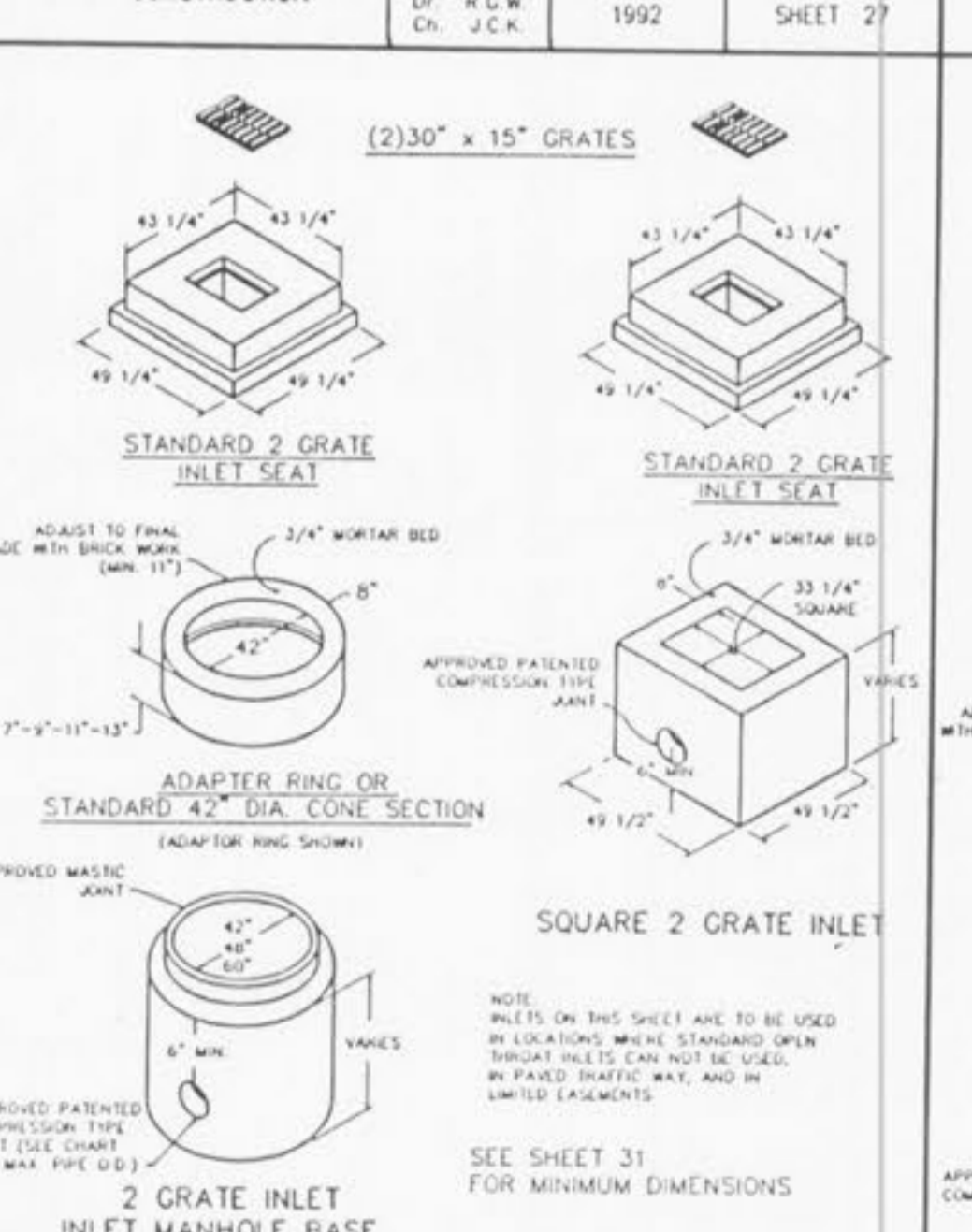
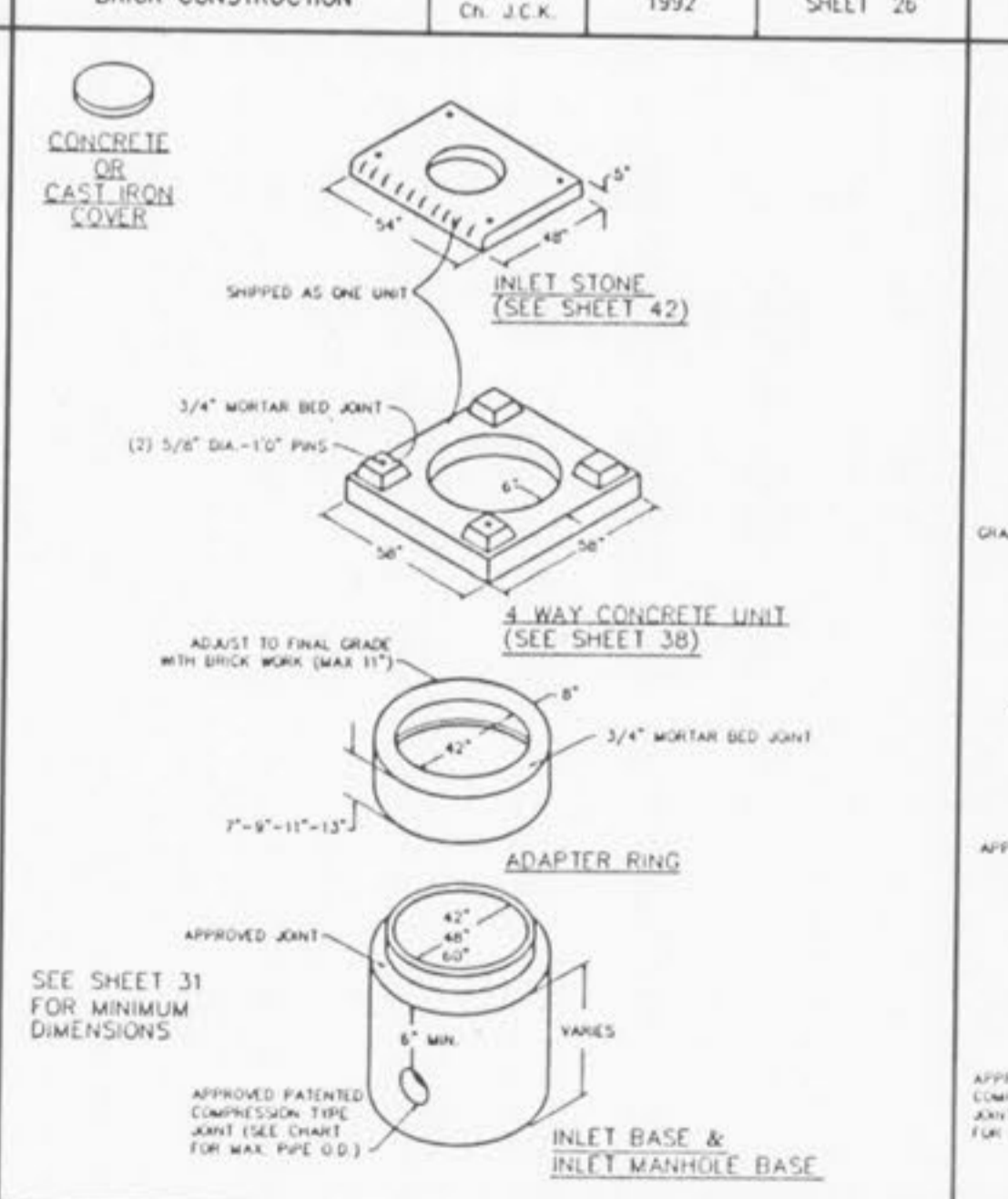
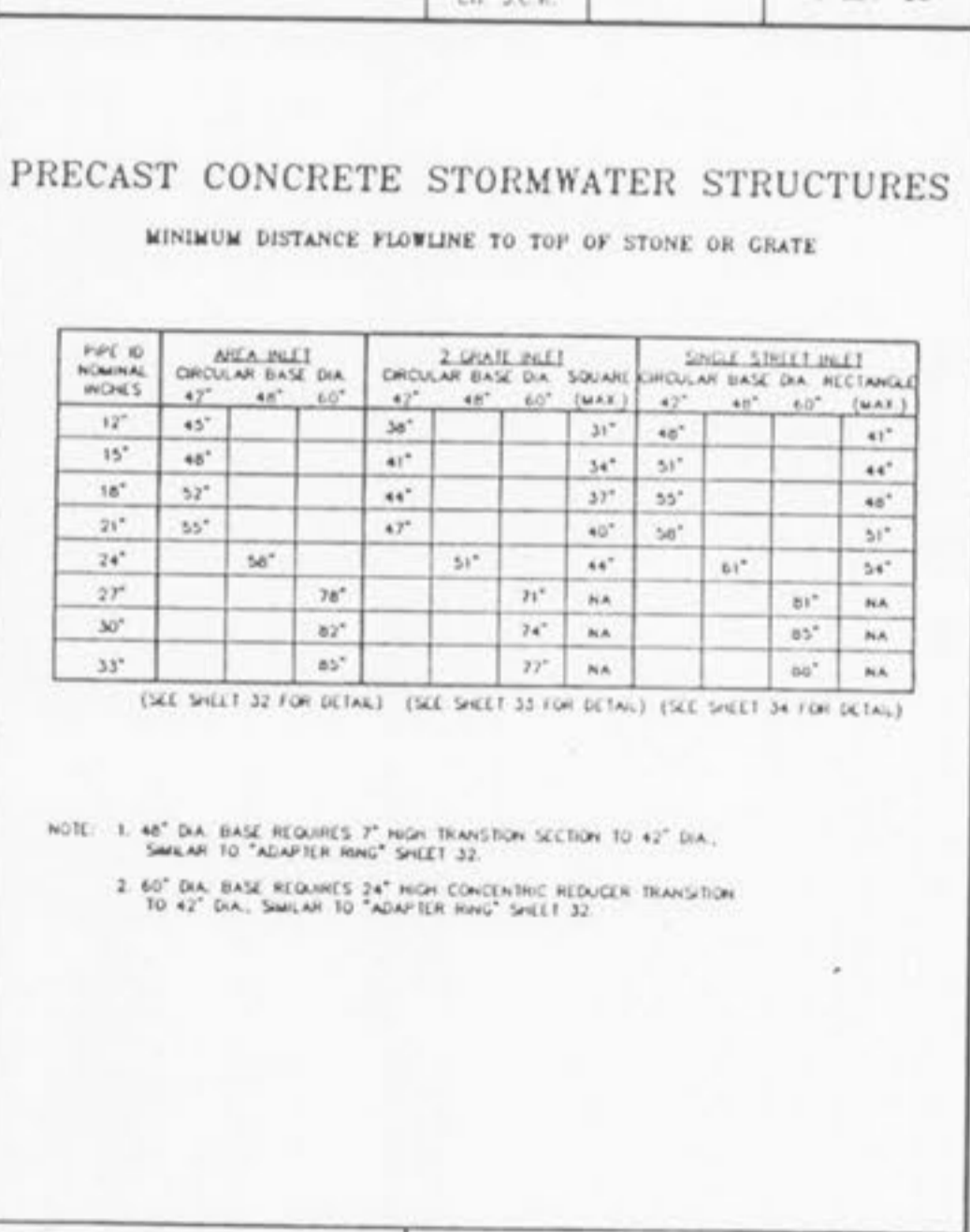
DOUBLE AREA INLET OPEN 4 SIDES BRICK CONSTRUCTION

2 GATE INLET BRICK CONSTRUCTION

2 GATE INLET WITH SIDE INTAKE BRICK CONSTRUCTION

3 & 4 GATE INLET BRICK CONSTRUCTION

6 & 8 GATE INLET BRICK CONSTRUCTION



PRECAST CONCRETE STORMWATER STRUCTURES

AREA INLET PRECAST CONCRETE

2 GATE INLETS PRECAST CONCRETE

SINGLE STREET INLETS PRECAST CONCRETE

DOUBLE UNTRAPPED STREET INLET PRECAST CONCRETE

TRAPPED STREET INLET BASE PRECAST CONCRETE