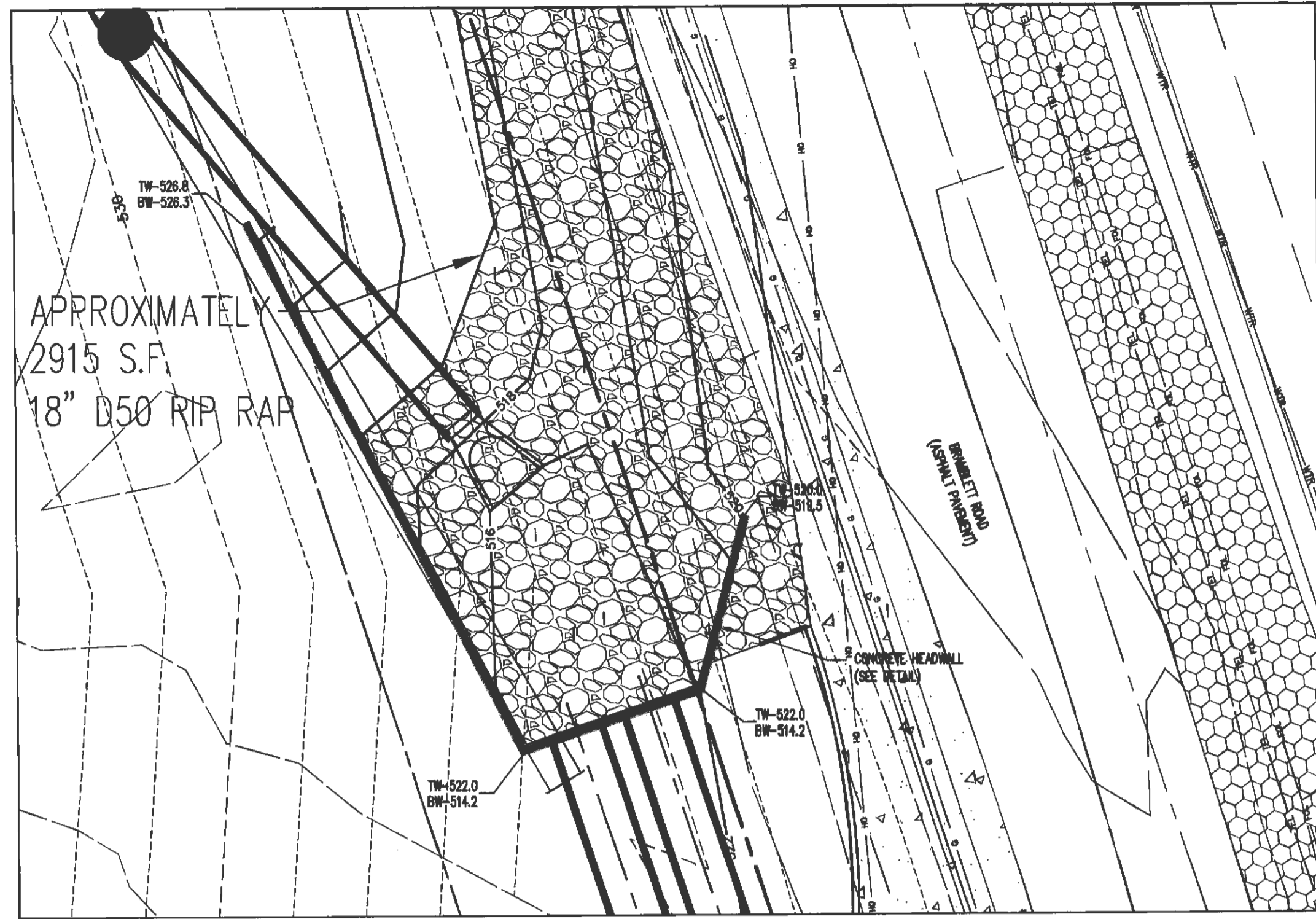
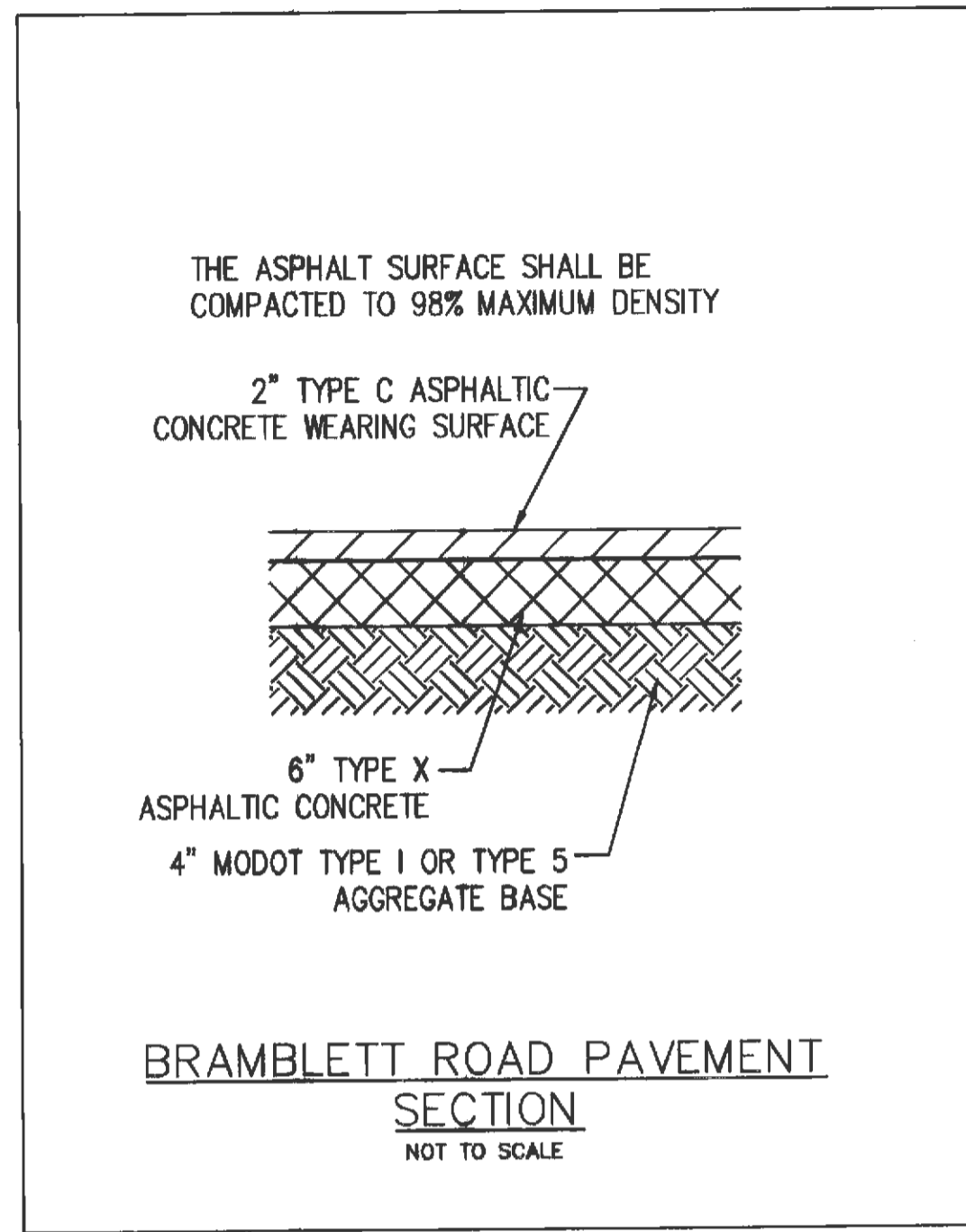


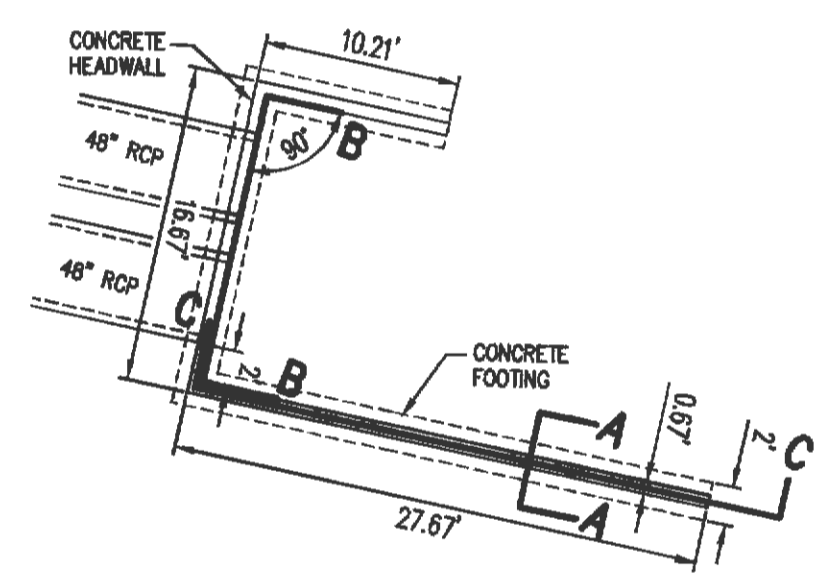
PLAN @ 200A & 200B
SCALE: 1"=10'



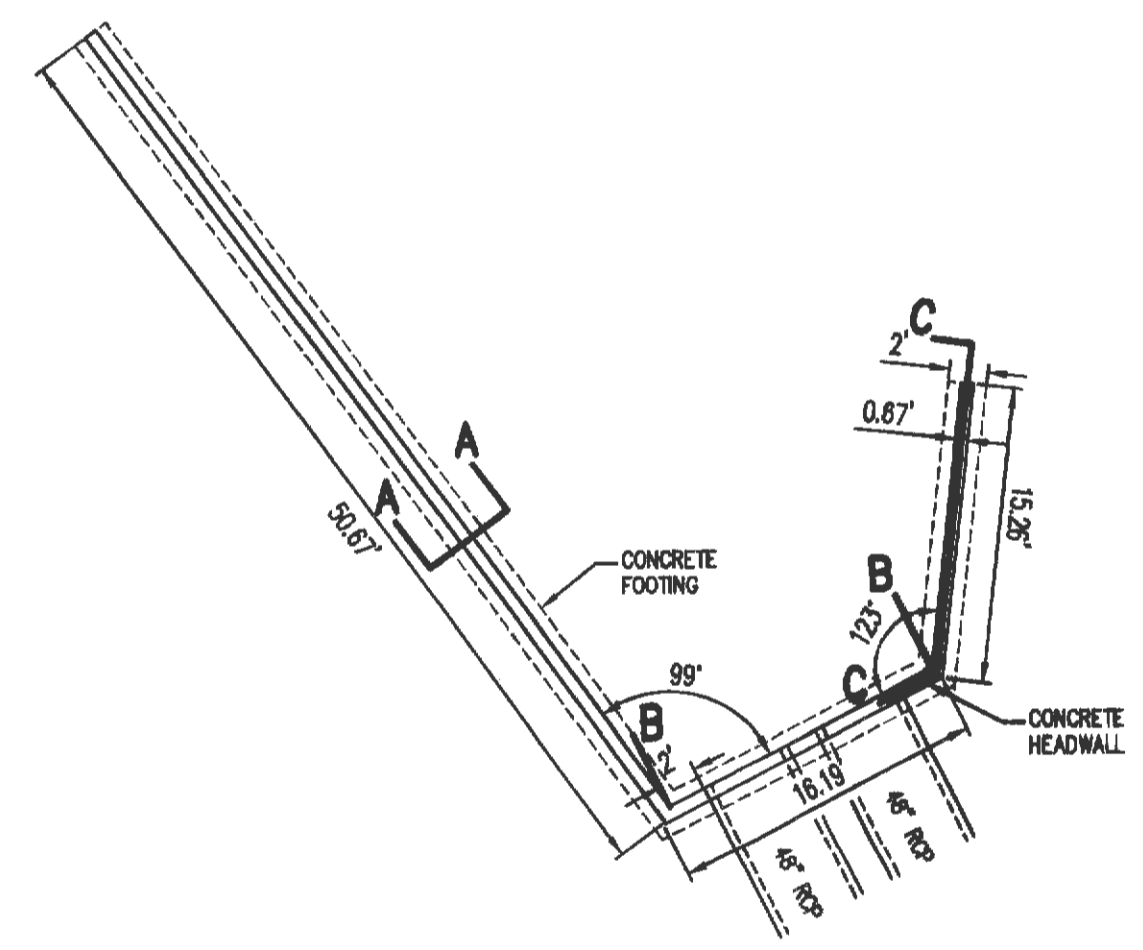
PLAN @ 202A & 202B
SCALE: 1"=10'



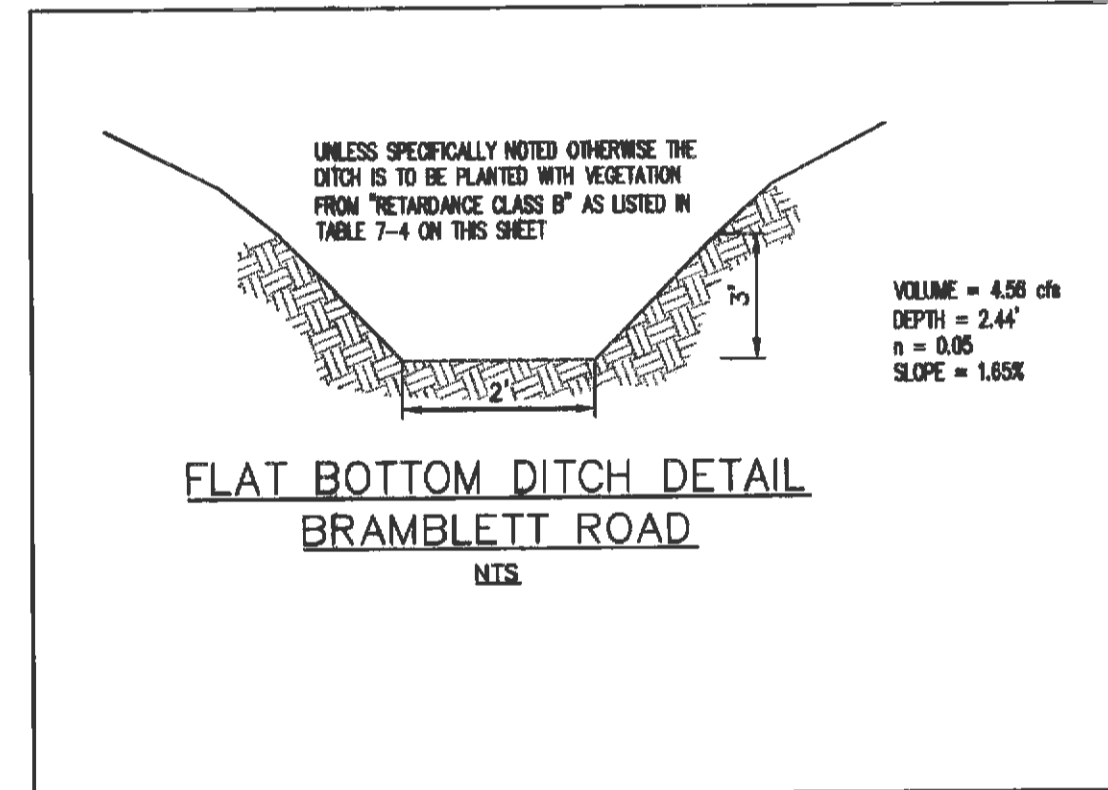
BRAMBLETT ROAD PAVEMENT
SECTION
NOT TO SCALE



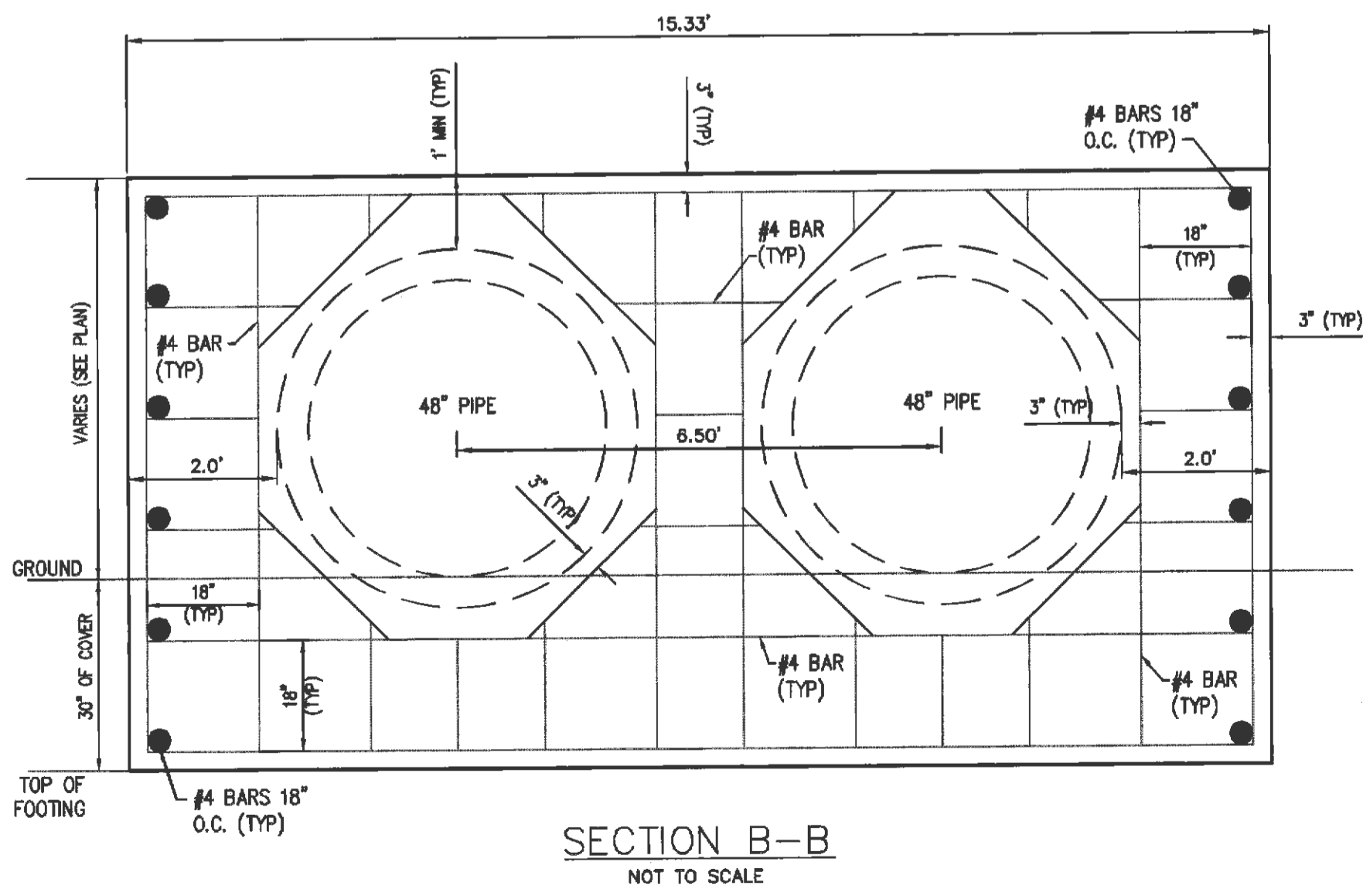
HEADWALL DETAIL @ EP 200A & 200B
SCALE - 1"=10'



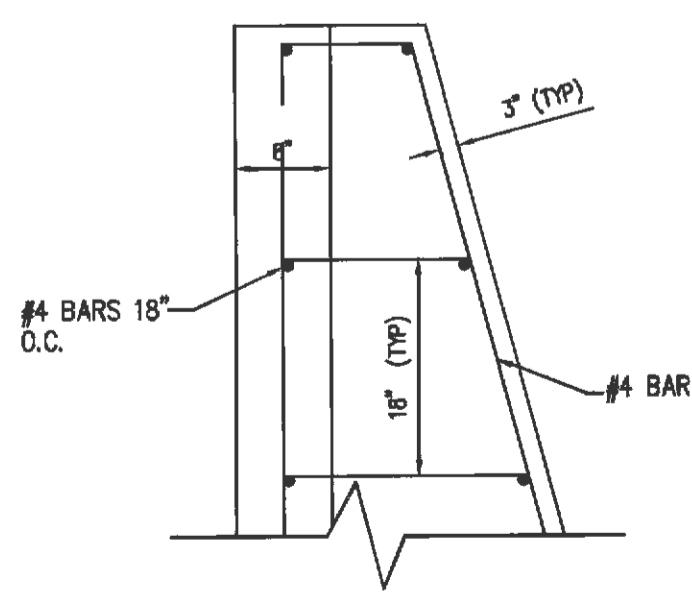
HEADWALL DETAIL @ EP 202A & 202B
SCALE - 1"=10'



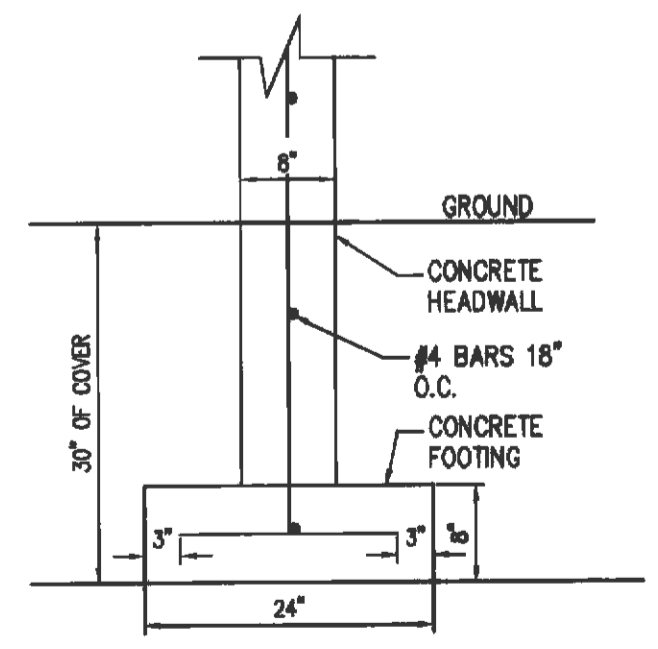
FLAT BOTTOM DITCH DETAIL
BRAMBLETT ROAD
N.T.S.



SECTION B-B
NOT TO SCALE



SECTION C-C
NOT TO SCALE



SECTION A-A
NOT TO SCALE

Table 7-4 Classification of vegetation cover as to degree of retardance

Retardance	Cover	Condition
A	Weeping lovegrass	Excellent stand, tall (average 30 in)
	Reed canarygrass or Yellow bluestem ischaemum	Excellent stand, tall (average 36 in)
B	Smooth bromegrass	Good stand, mowed (average 12 to 15 in)
	Bermudagrass	Good stand, tall (average 12 in)
	Native grass mixture (little bluestem, blue grama, and other long and short midwest grasses)	Good stand, unmowed
	Tall fescue	Good stand, unmowed (average 18 in)
	Sericea lespedeza	Good stand, not woody, tall (average 19 in)
C	Grass-legume mixture—Timothy, smooth bromegrass, or orchardgrass	Good stand, uncut (average 20 in)
	Reed canarygrass	Good stand, uncut (average 12 to 15 in)
	Tall fescue, with birdsfoot trefoil or ladino clover	Good stand, uncut (average 18 in)
	Blue grama	Good stand, uncut (average 13 in)
	Bahia grass	Good stand, uncut (6 to 8 in)
	Bermudagrass	Good stand, mowed (average 6 in)
	Redtop	Good stand, headed (15 to 20 in)
	Grass-legume mixture—summer (orchardgrass, redtop, Italian ryegrass, and common lespedeza)	Good stand, uncut (6 to 8 in)
	Centipede grass	Very dense cover (average 6 in)
	Kentucky bluegrass	Good stand, headed (6 to 12 in)
D	Bermudagrass	Good stand, cut to 2.5-in height
	Red fescue	Good stand, headed (12 to 18 in)
	Buffalograss	Good stand, uncut (8 to 6 in)
	Grass-legume mixture—fall, spring (orchardgrass, redtop, Italian ryegrass, and common lespedeza)	Good stand, uncut (4 to 5 in)
	Sericea lespedeza or Kentucky bluegrass	Good stand, cut to 2-in height. Very good stand before cutting
E	Bermudagrass	Good stand, cut to 1.5-in height
	Bermudagrass	Burned stubble

HIGHWAY "K" RETAIL
— ACCESS DRIVE

S I C S
E I S

ENGINEER SIGNATURE
BLOCK

MICHAEL NEWELL
MEMBER NUMBER
E-22483
PROFESSIONAL ENGINEER
STATE OF MISSOURI
MICHAEL NEWELL MEMBERS
CIVIL ENGINEER PE-22483

Developer / Owner Information
K PROPERTIES HOLDINGS, LLC
1704 NORTH FOURTH STREET
ST. CHARLES, MO 63301
CONTACT: MIKE THOLE
(314) 220-1205

CONSTRUCTION / MODOT DETAILS

P+Z No. 18-1205
Approval Date: May 2, 2013
City No.

Page No.
21