

BAX PROJECT NAME : HYLAND GREEN REC. AREA
 BAX PROJECT NO. : 98-10293H
 DESIGN DATE : 5-27-05
 DESIGNED BY : ALJ
 15 YEAR STORM DESIGN

FILENAME: 10293H

UPP STR	LOW STR	L	DIA	UPPER FL LN	LOWER FL LN	PS	UPPER ST EL	DEPTH HY GR	UPPER HY EL	LOWER HY EL	HYDR GRADE	FR HEAD	VEL	VEL HEAD	JUNC LOSS	TURN LOSS	CURVE LOSS	STR GRADE	INL CAP	DR AREA	PT	Q	TQ	PIPE CAP	REMARKS	
AI 102	CI 101	143	18	466.18	464.75	1.00	472.92	4.74	468.18	467.11	.00540	0.77	4.37	0.30	0.30	0.00	0.00	0.00	0.00	0.00	0.00	0.00	7.72	10.51	1	HW=466.57
CI 101	FE 100	29	18	464.55	464.26	1.02	471.24	4.13	467.11	466.57	.00810	0.23	5.34	0.44	0.25	0.06	0.00	0.00	0.00	0.00	0.00	0.00	9.43	10.58	2	

* INDICATES CRITICAL DEPTH

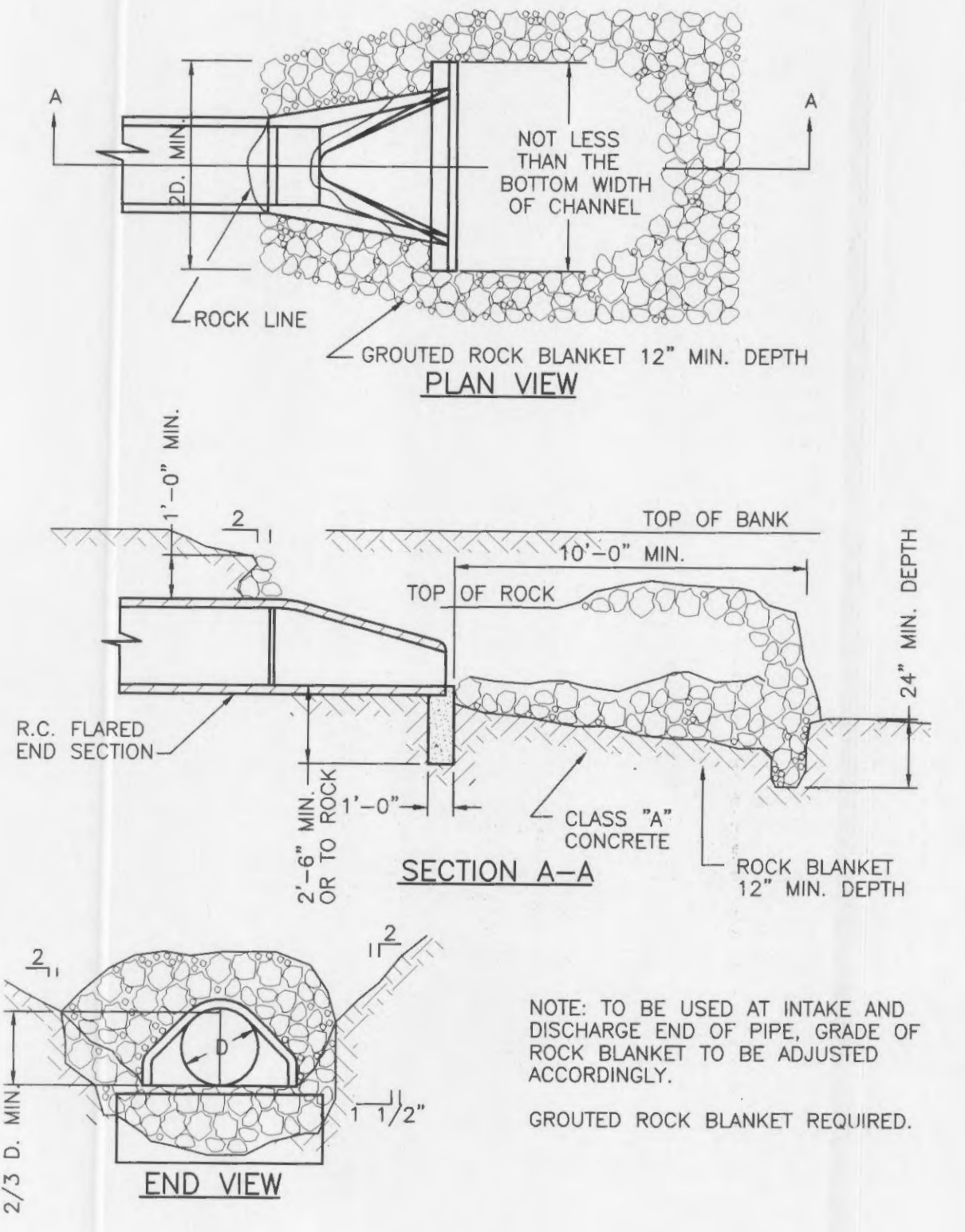
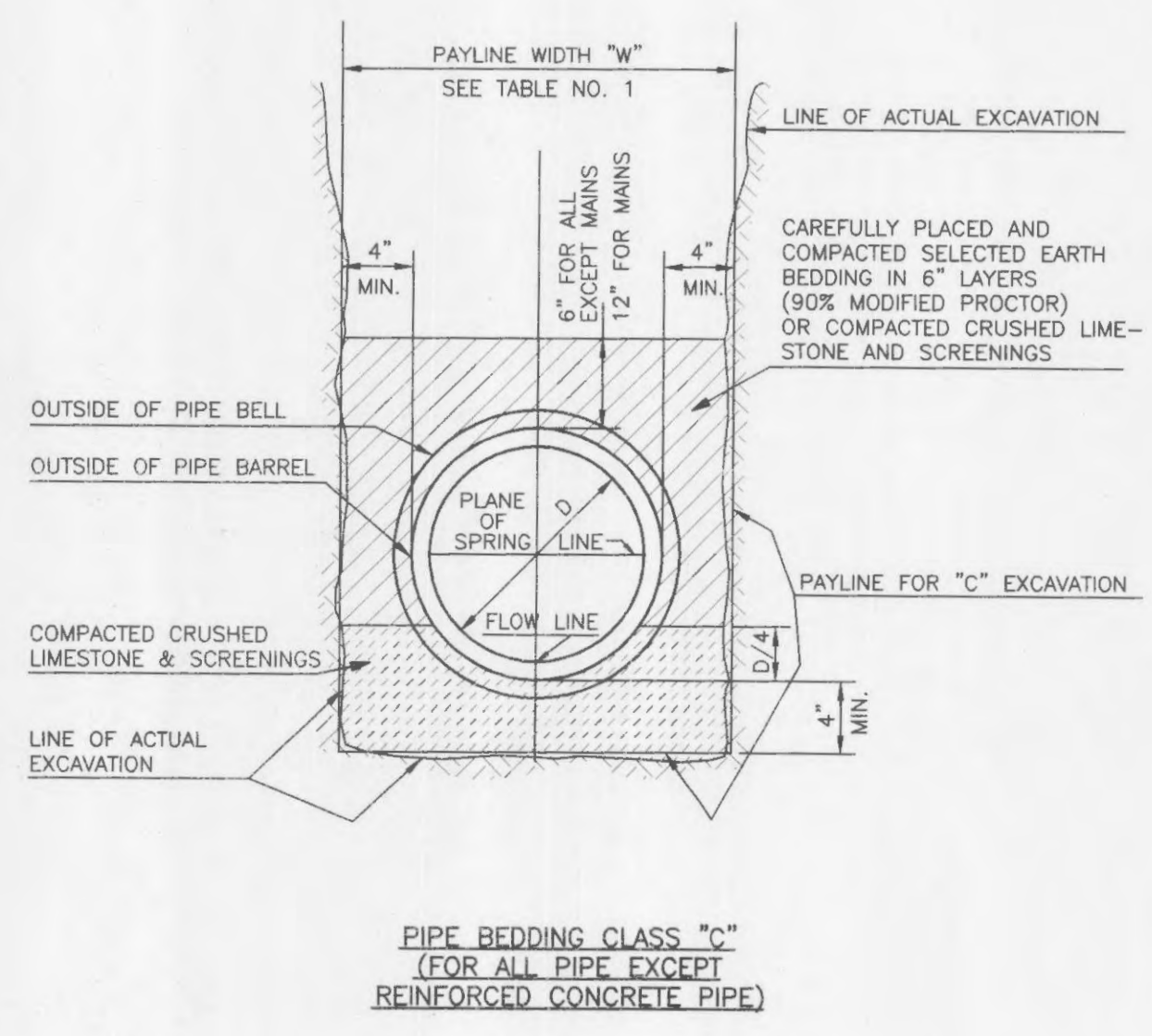
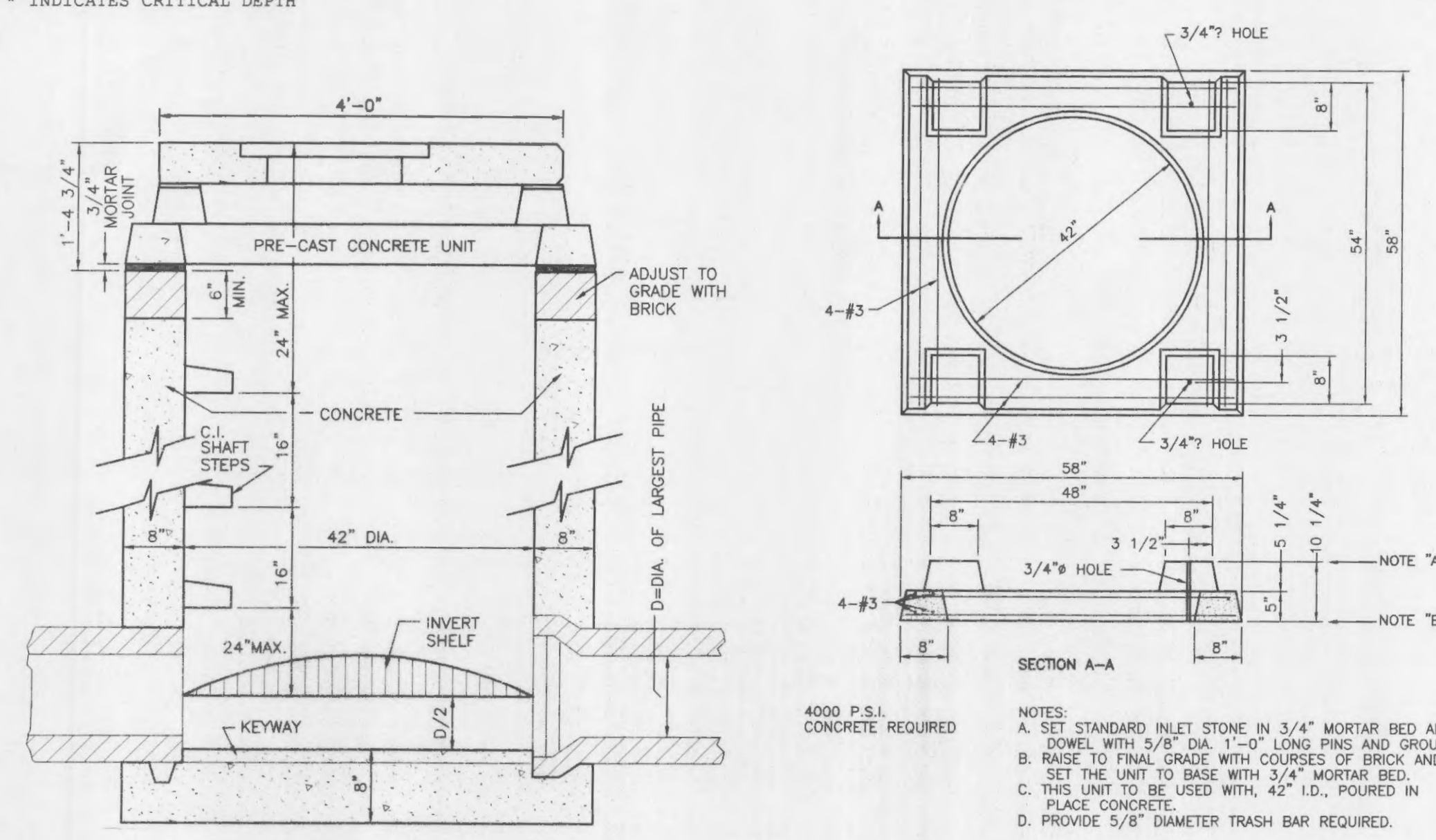


TABLE NO. 1
 PAYLINE WIDTHS OF TRENCH AND
 PAY-QUANTITIES OF CONCRETE

Inside Diameter of Pipe (Inches)	ROUND PIPE			HORIZONTAL ELLIPTICAL PIPE		
	Payline Width of Trench (Feet)	Pay-volume cu. ft. per ft. of Pipe	Concrete Encasement	Payline Width of Trench (Feet)	Payline Width of Trench (Feet)	Pay-volume cu. ft. per ft. of Concrete Encasement
4	28	2.33	3.20			
6	28	2.33	3.46			
8	28	2.33	3.70			
10	28	2.33	3.85			
12	28	2.33	3.98			
15	32	2.67	4.89			
18	35	2.92	5.63	14 x 23	41	3.42
21	39	3.25	6.61	19 x 30	49	4.08
24	42	3.50	7.39	19 x 30	49	4.08