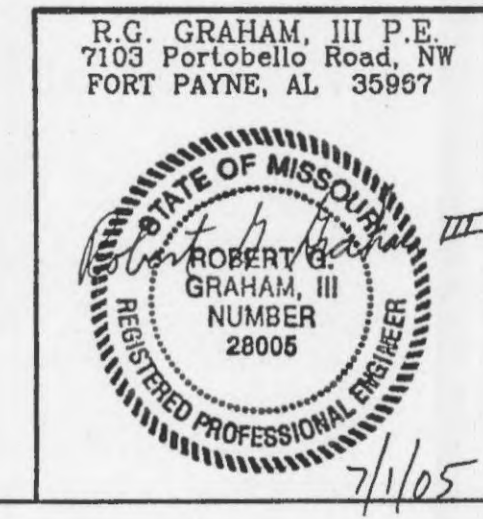
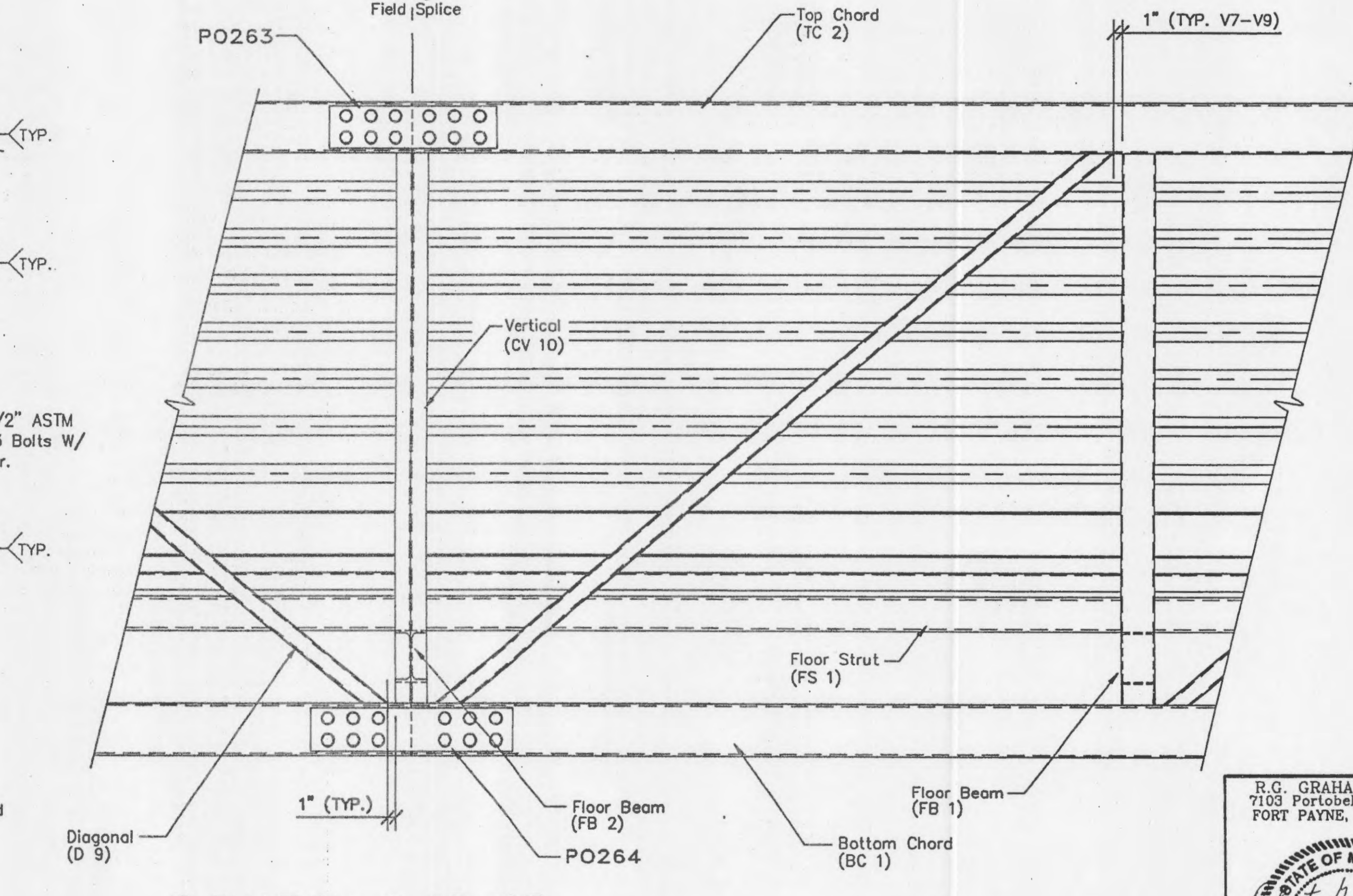
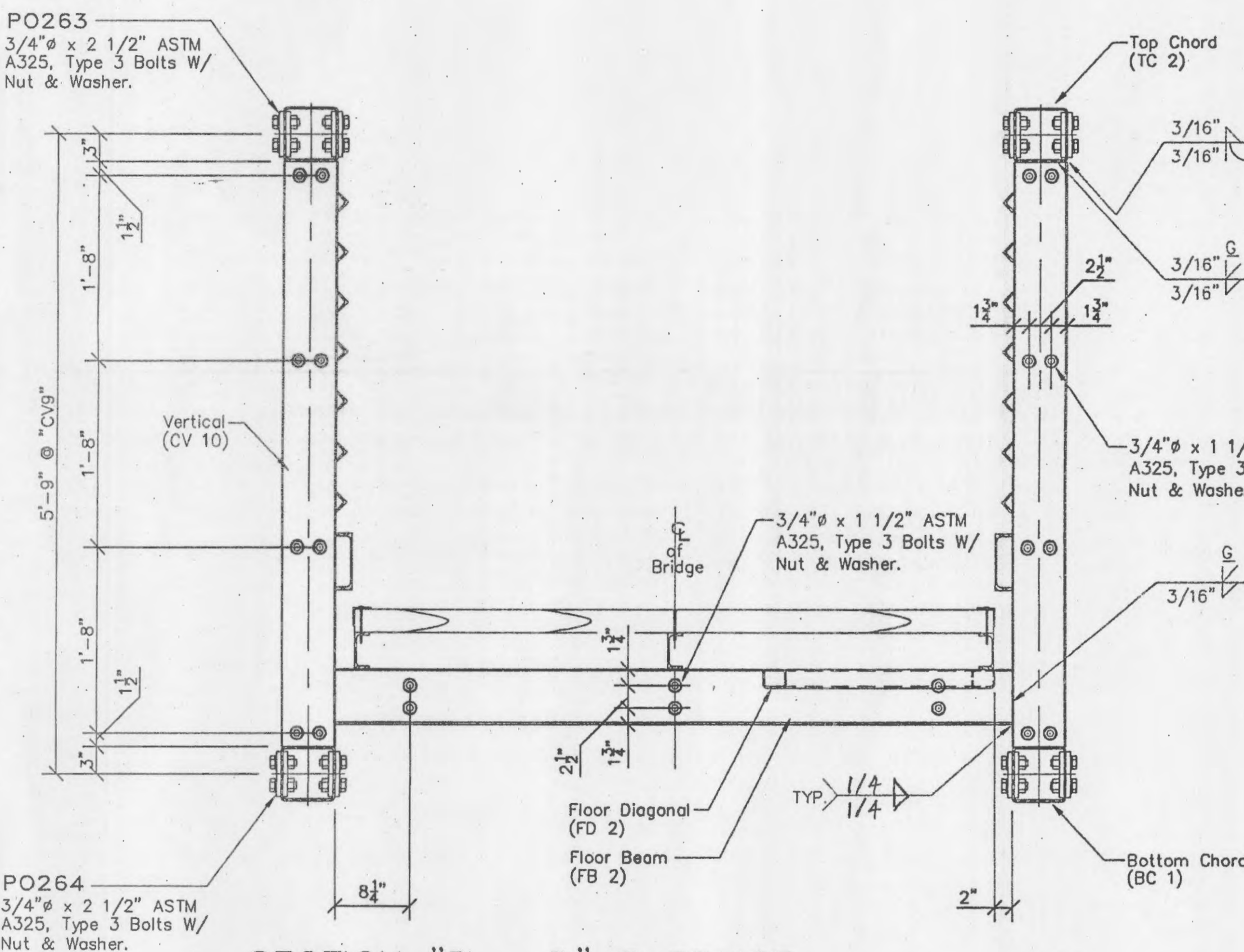


SPlice PLATES
SCALE: 1 1/2" = 1'-0"



APPROVAL ONLY		
APPROVAL ONLY		
A Released For Approval		
Rev	DESCRIPTION	BY/DATE CHK'D BY
A DIVISION OF BILTOLAST PRODUCTS INC. 4021 GAULT AVENUE FORT PAYNE, AL 35967-8139 1-800-749-7515		
PLACED ATTACHED OR RIGHT END HERE AT EACH END OF BRIDGE 	JOB: HIGHLAND GREEN POOLHOUSE BRIDGE FOR: D'FALLON, MISSOURI ADDRESS: HYLAND GREEN, LLC 21 JASON COURT ST. CHARLES, MO 63304 ARCHITECT: Plans By Owner	ACTIVE MEMBER DRAWN BY: TEB DATE: 6/30/05 CHECKED BY: JET
BILTOLAST PRODUCTS INC. DATE OF MANUFACTURE: _____ SERIAL # _____	CONTRACTOR: BRIDGE No. 052235A 6' x 115' 'CONNECTOR' BRIDGE	SHEET 2/2 OF A
THIS BRIDGE STRUCTURE SHALL NOT BE FIELD MODIFIED IN ANY WAY WITHOUT PRIOR APPROVAL FROM STEADFAST BRIDGES. THESE DRAWINGS AND DESIGNS ARE THE PROPERTY OF BILTOLAST PRODUCTS, INC. AND ARE NOT TO BE COPIED OR USED IN ANY WAY DETRIMENTAL WITHOUT THEIR WRITTEN CONSENT.		