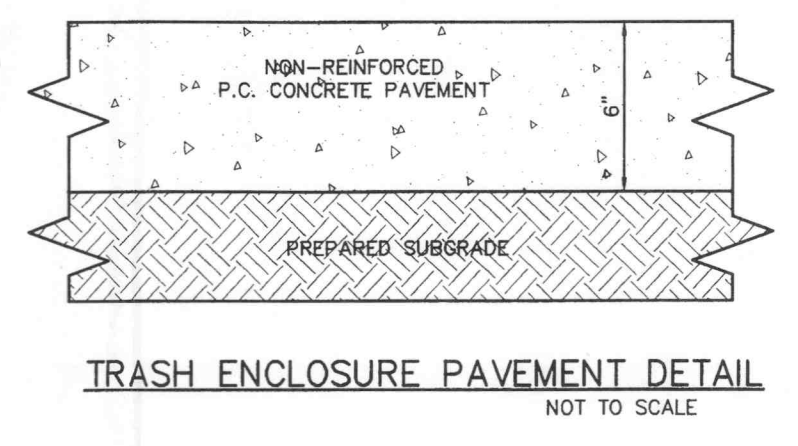
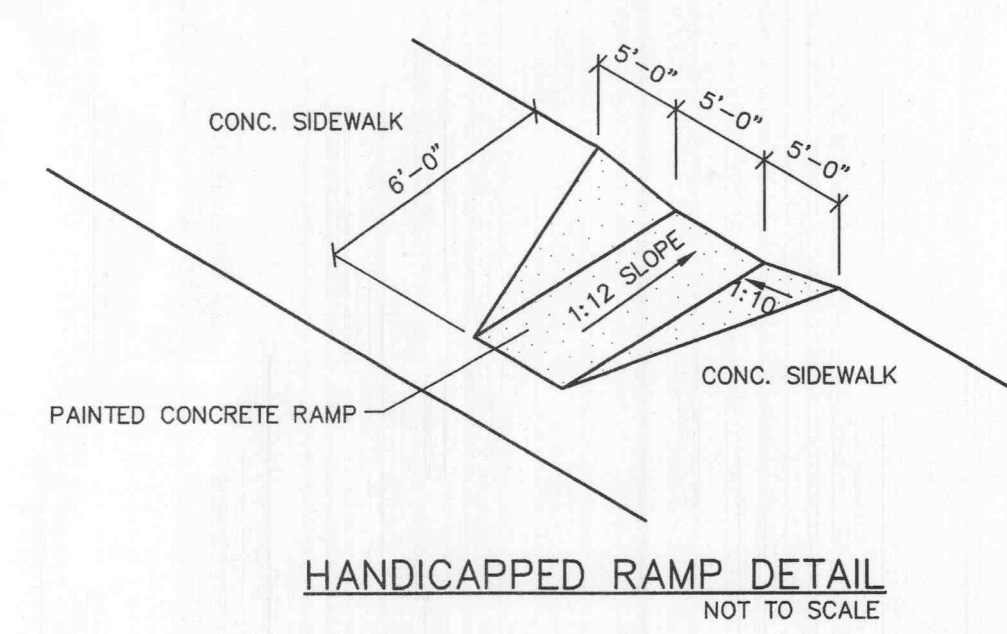
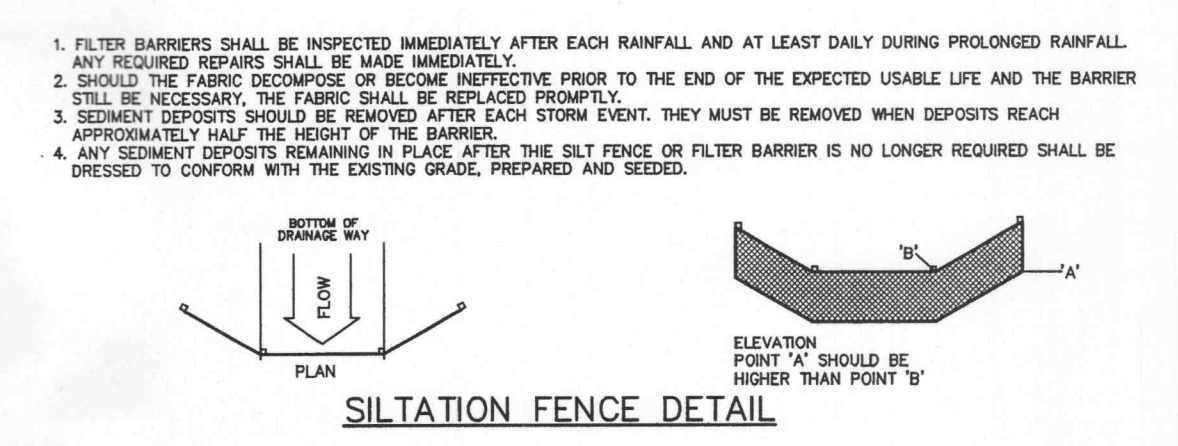
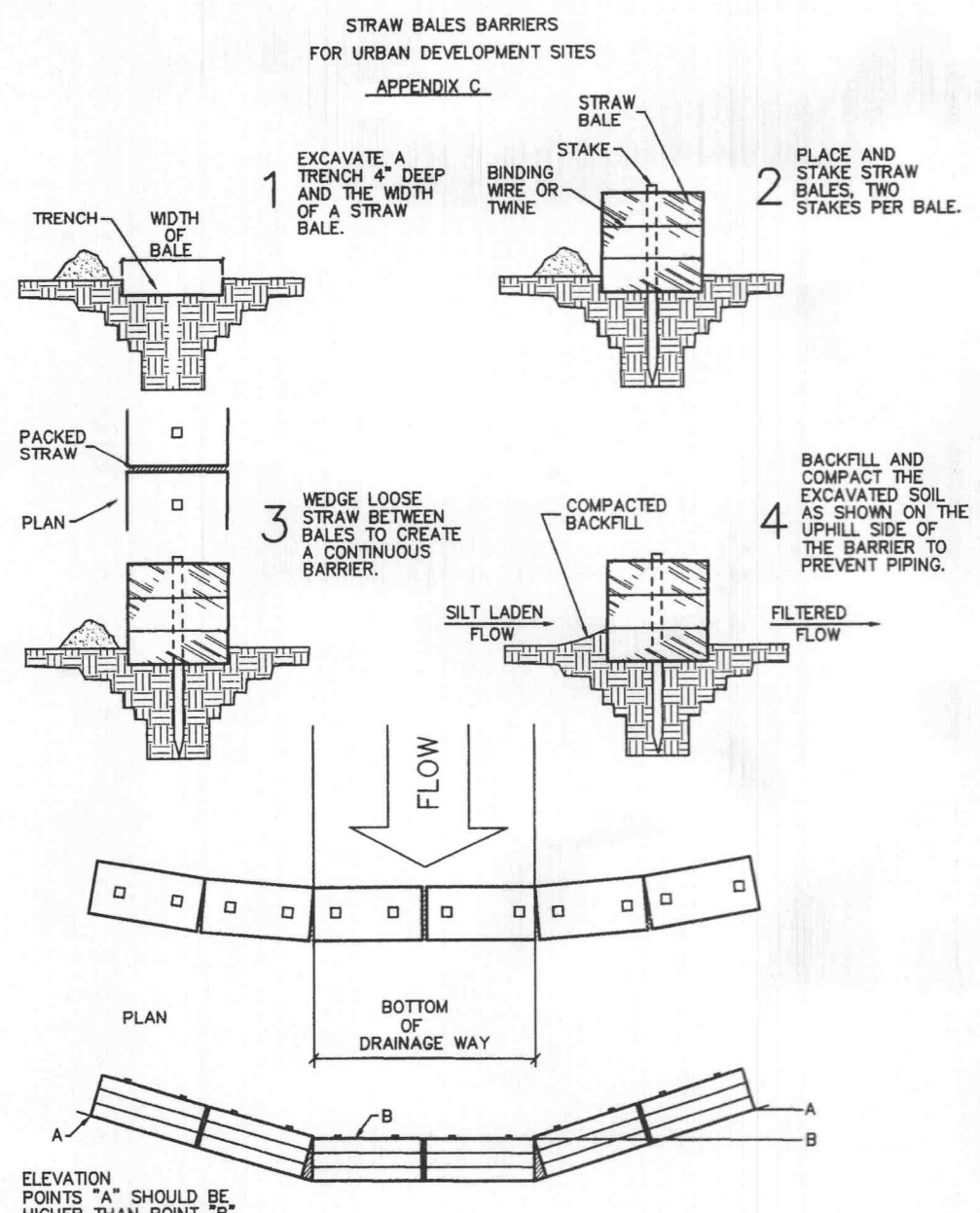
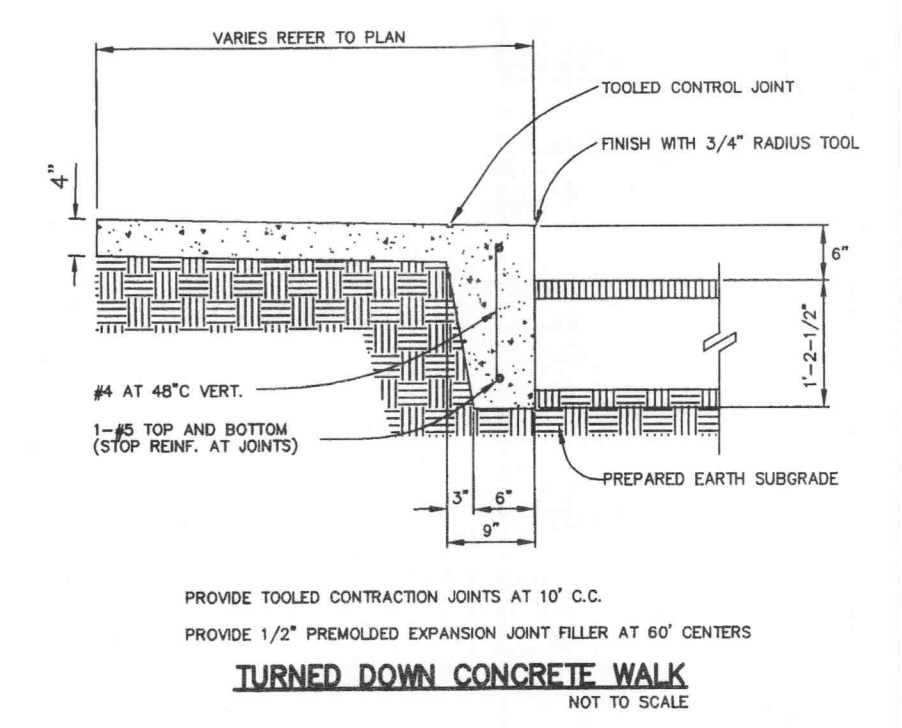
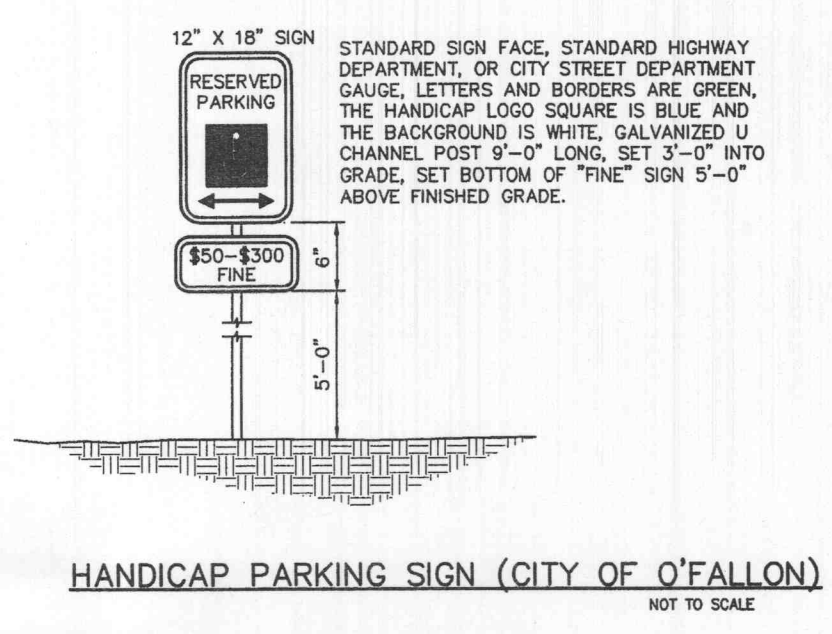
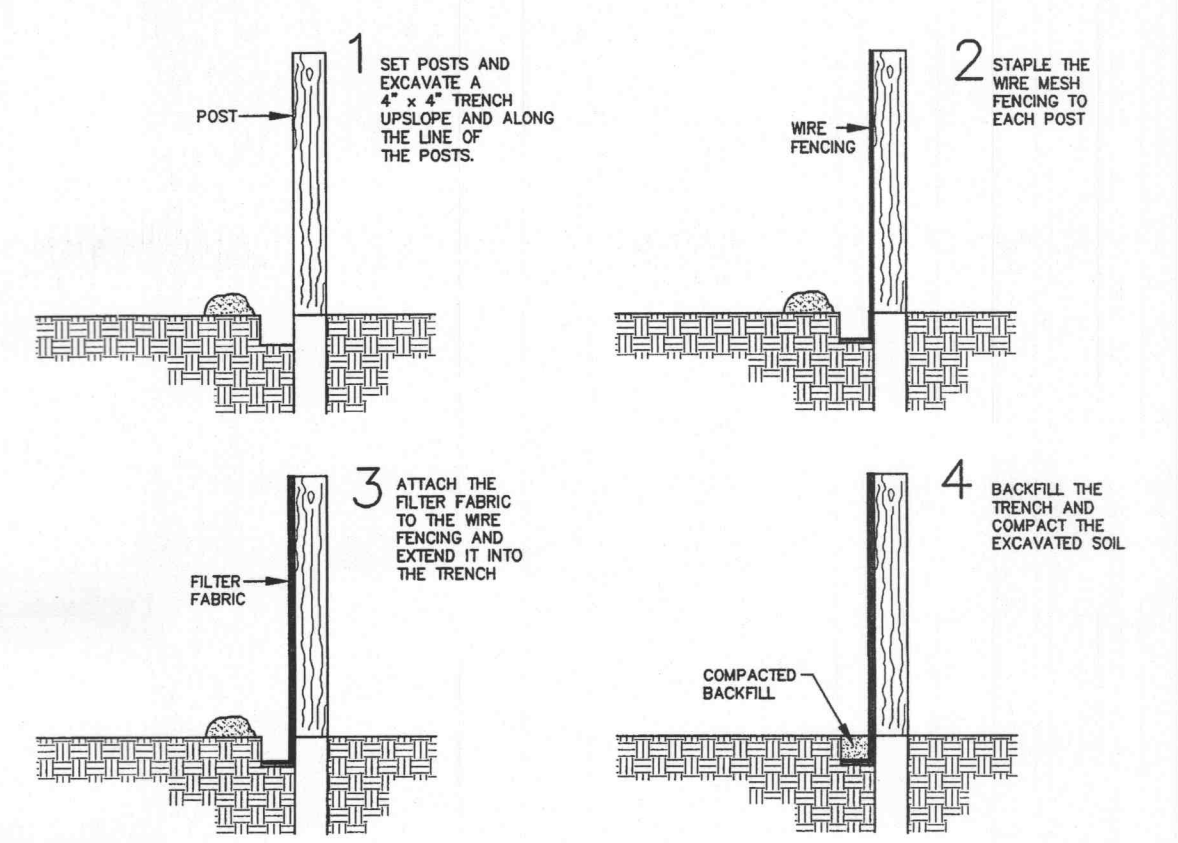
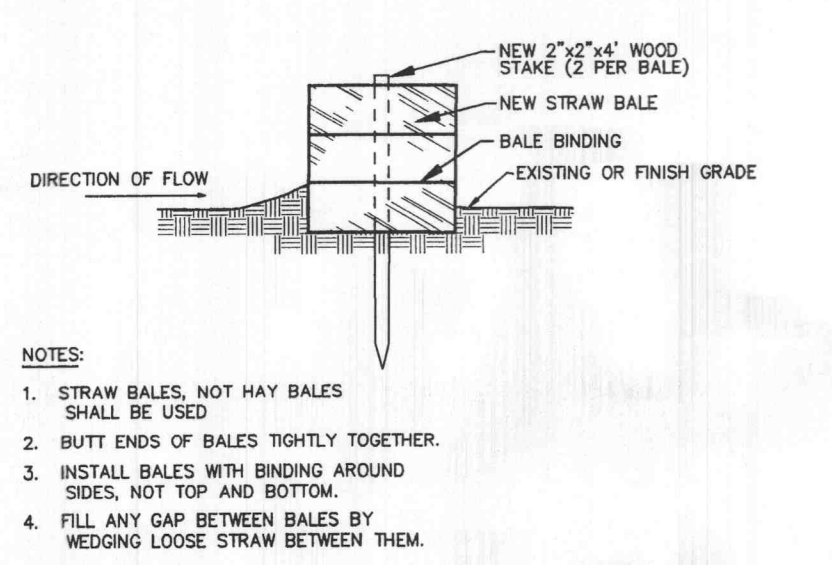
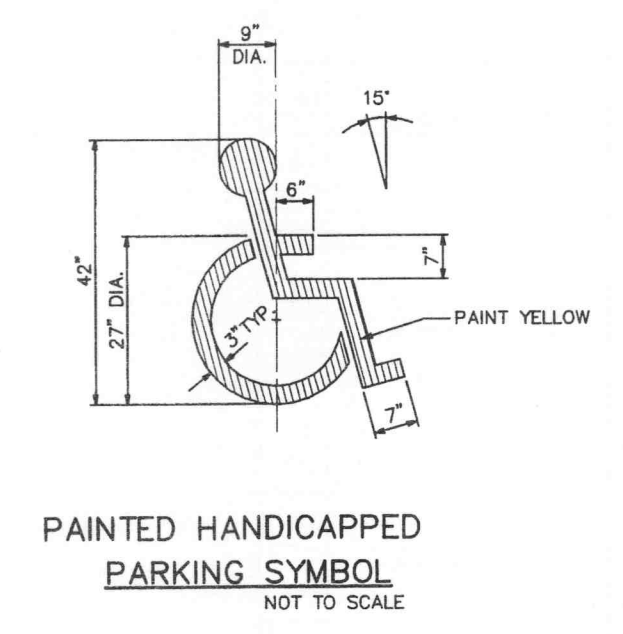
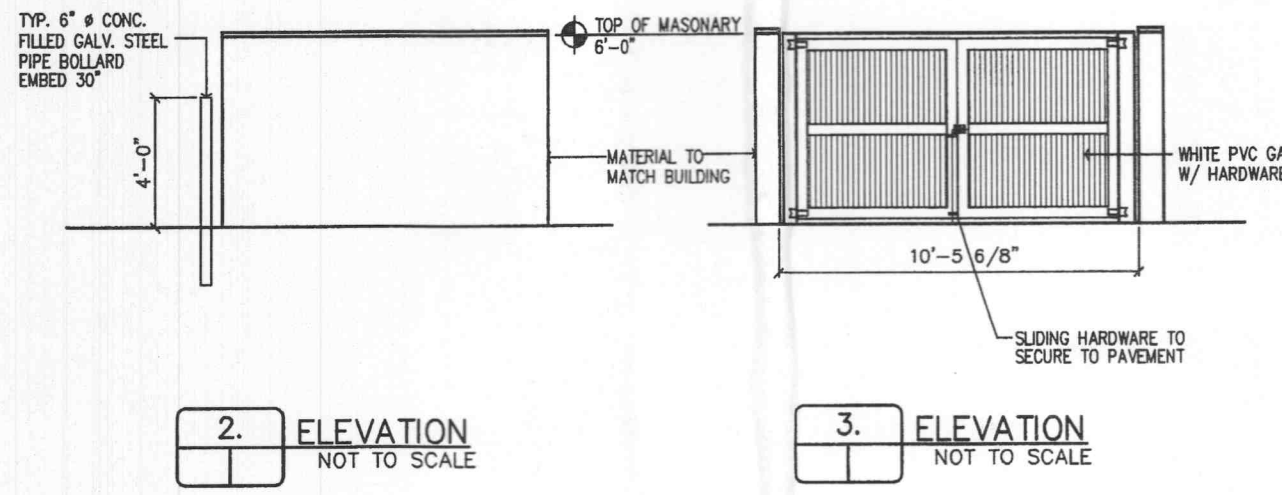
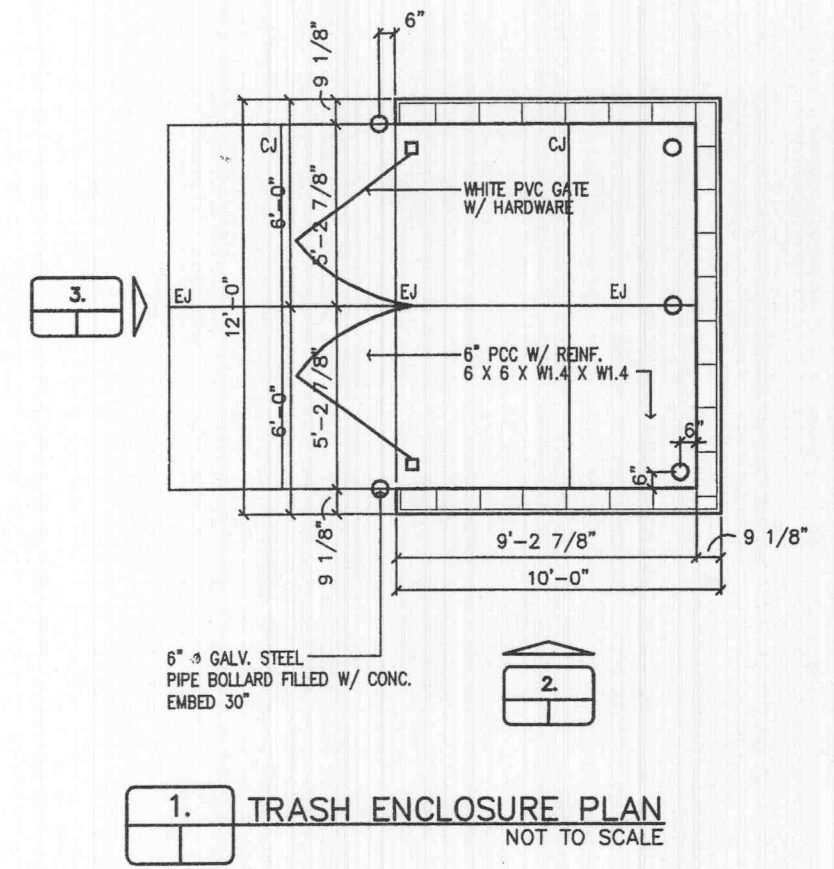
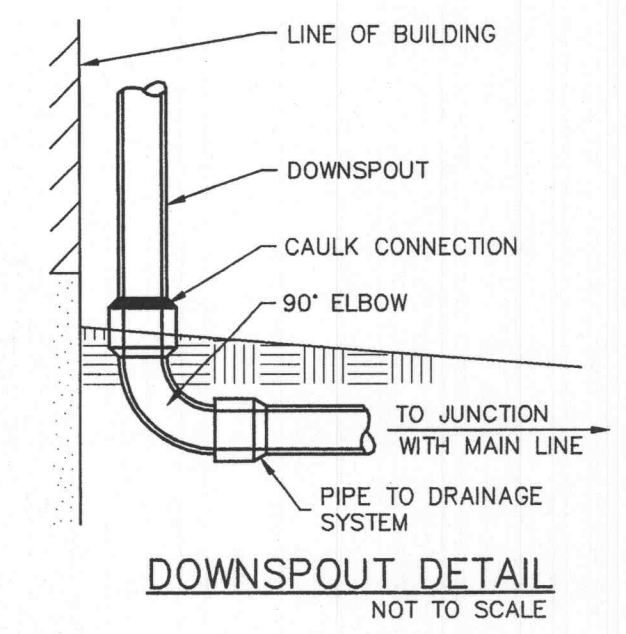
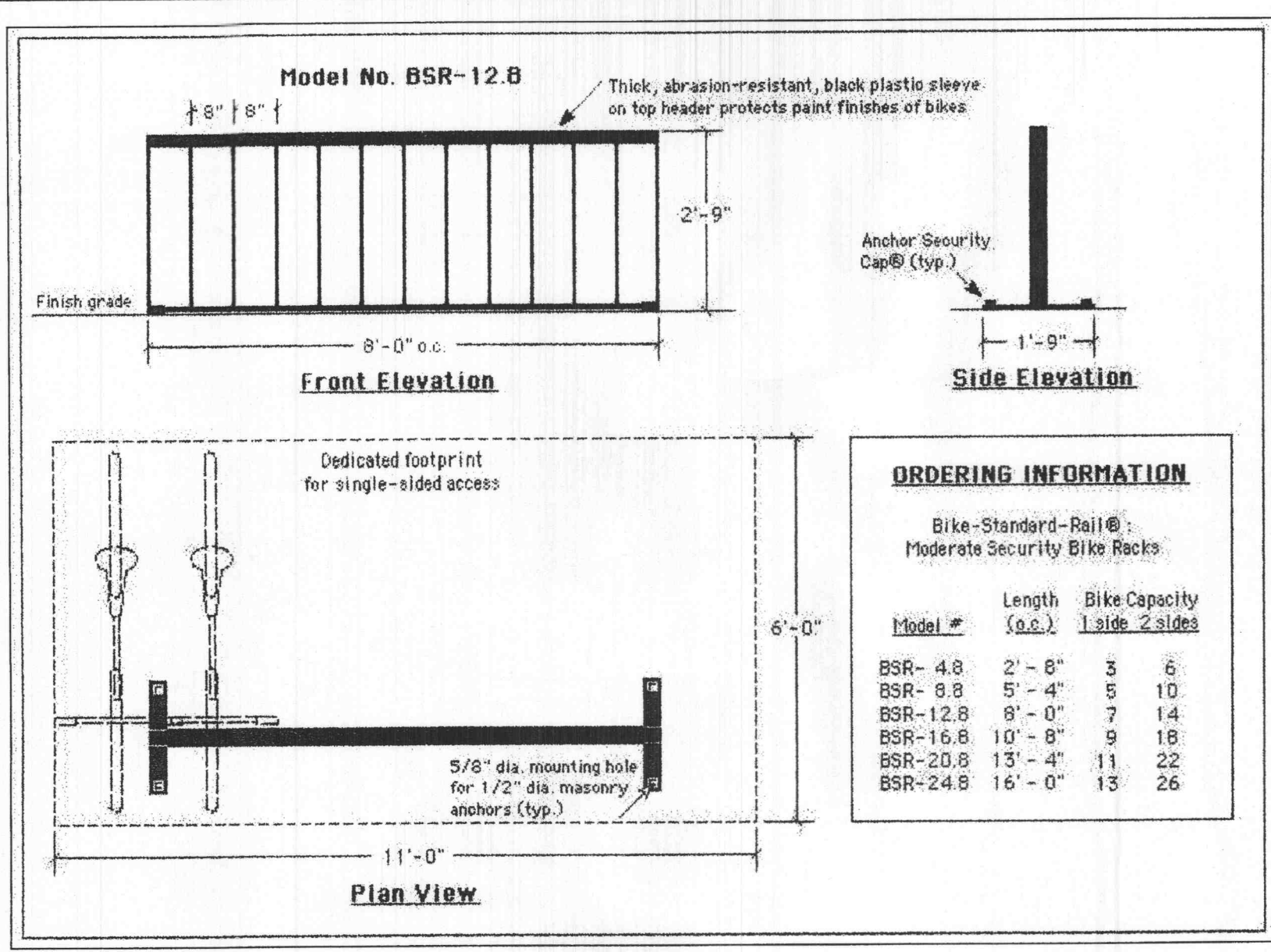


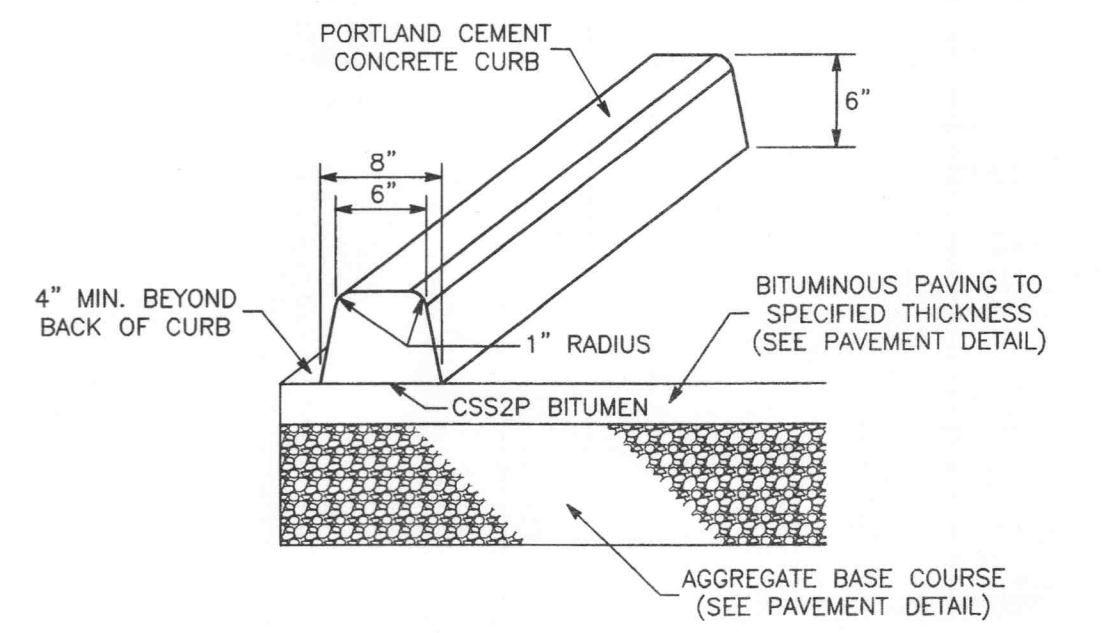
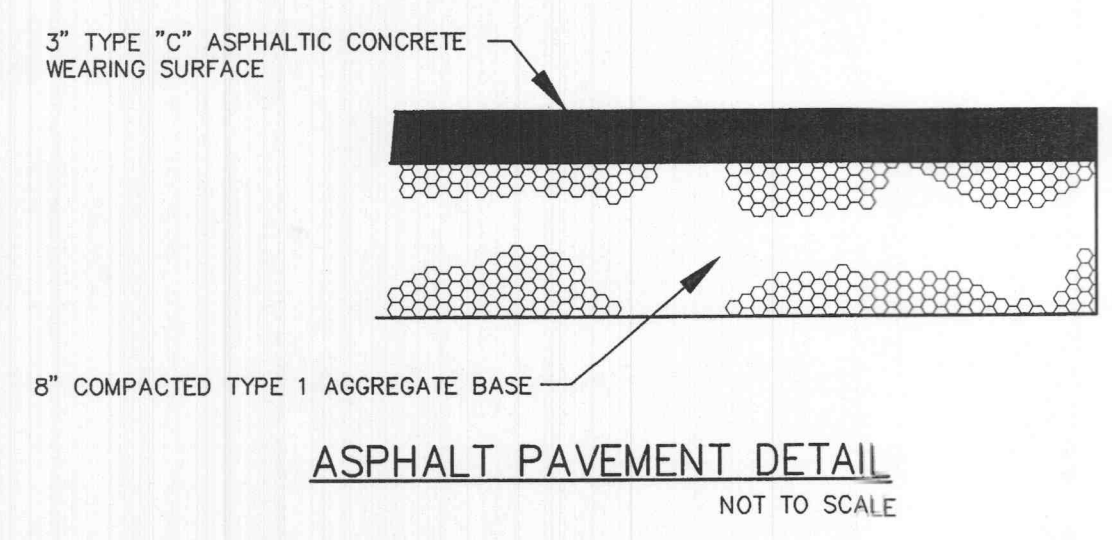
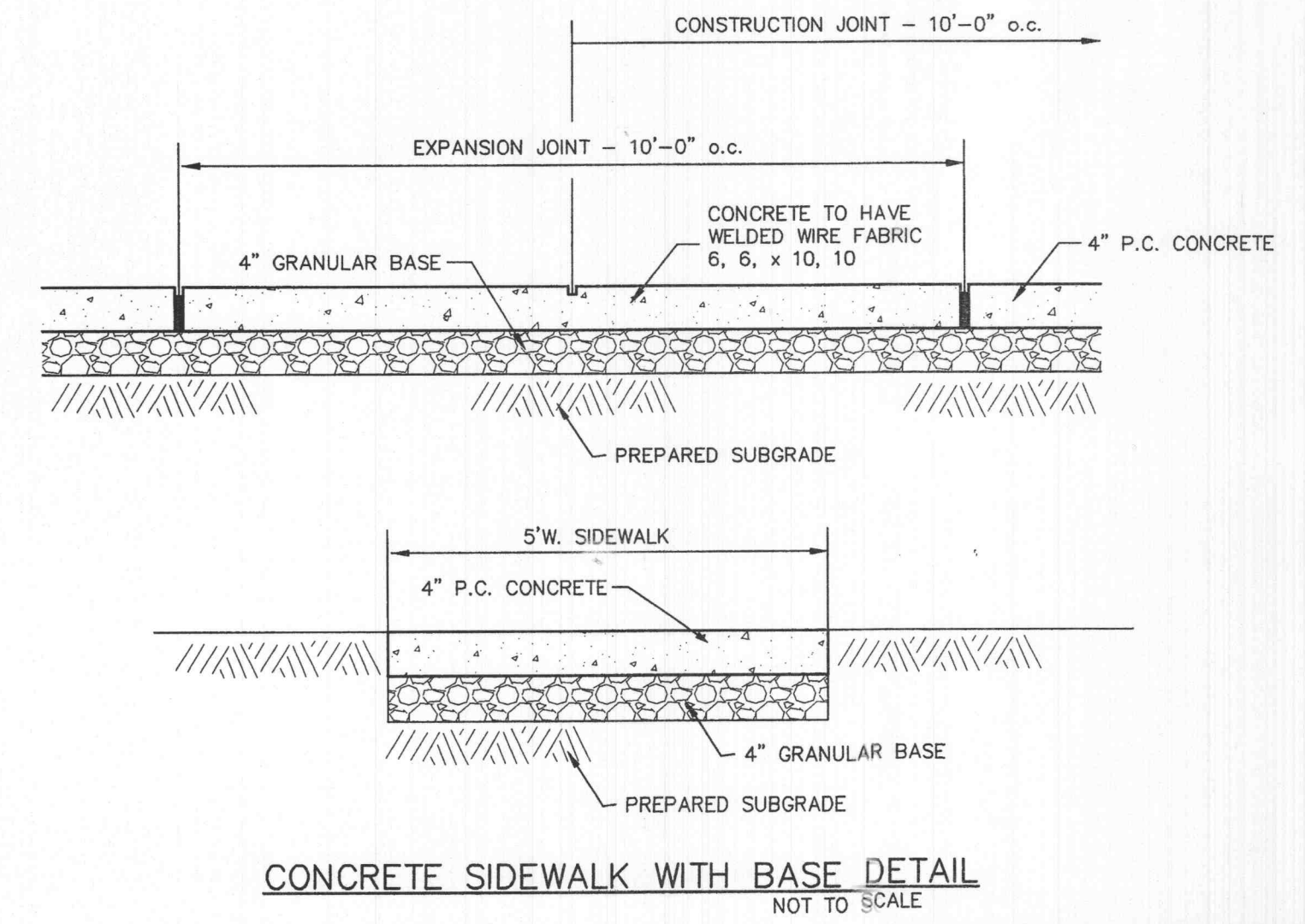
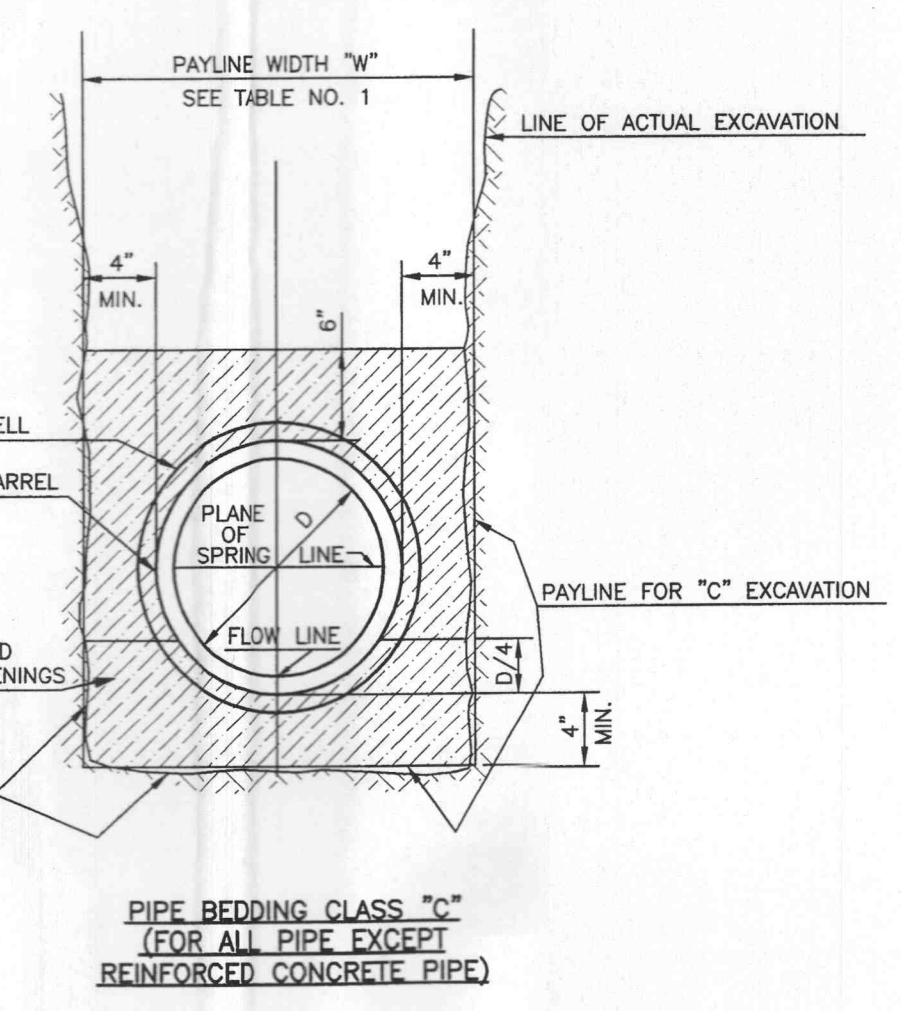
REVISIONS:
 08-10-05 PER DUCKETT CREEK COMMENTS
 08-16-05 PER FWSD#2 COMMENTS
 09-14-05 Per City Comments
 10-06-05 Footprint/Walls

CONSTRUCTION DETAILS FOR
IMO'S PIZZA

05-13233 07/27/05



PLACEMENT AND CONSTRUCTION OF STRAW BALE BARRIER



UNDERGROUND UTILITIES HAVE BEEN PLOTTED FROM AVAILABLE INFORMATION AND THEREFORE THEIR LOCATIONS SHALL BE CONSIDERED APPROXIMATE ONLY. THE VERIFICATION OF THE LOCATION OF ALL UNDERGROUND UTILITIES, EITHER SHOWN OR NOT SHOWN ON THESE PLANS SHALL BE THE RESPONSIBILITY OF THE CONTRACTOR, AND SHALL BE LOCATED PRIOR TO ANY GRADING OR CONSTRUCTION OF THE IMPROVEMENTS.

PLANNING AND ZONING FILE #9831.37.07