

STRUCTURAL
LePIQUE & ORNE
ARCHITECTS, INC.
CIVIL ENGINEER
 BAX ENGINEERING
 1052 SOUTH CLOVERLEAF
 ST. PETERS, MO 63376
 CONTACT: LARRY WALKER
 PHONE: 636-929-5552
 FAX: 636-928-1718

MECHANICAL
PLUMBING
ELECTRICAL
 FACILITY ENGINEERING
 SERVICES
 13067 WINDING TRAIL
 LANE ST. LOUIS, MO 63131
 PHONE: 314-821-1339
 FAX: 314-822-9738

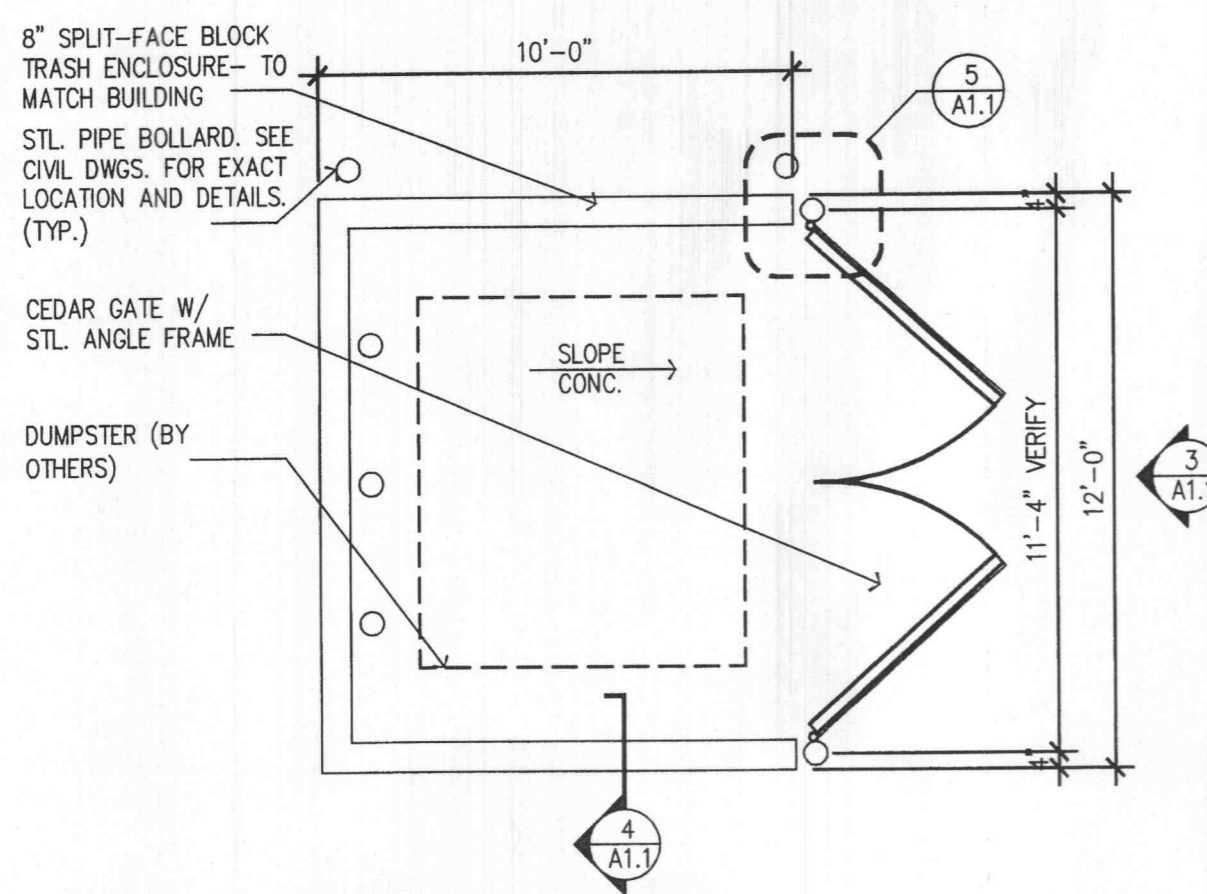
LePIQUE & ORNE
ARCHITECTS, INC.
 ESTABLISHED 1916
 423 JACKSON STREET, SAINT CHARLES, MO 63301
 PHONE (636) 947-0099 FAX (636) 947-8700

NEW IMO'S PIZZA
 AND RETAIL BUILDING FOR:
WINGHAVEN CENTRE
 9951, 9953 & 9955
 WINGHAVEN BOULEVARD
 O'FALLON, MISSOURI 63366

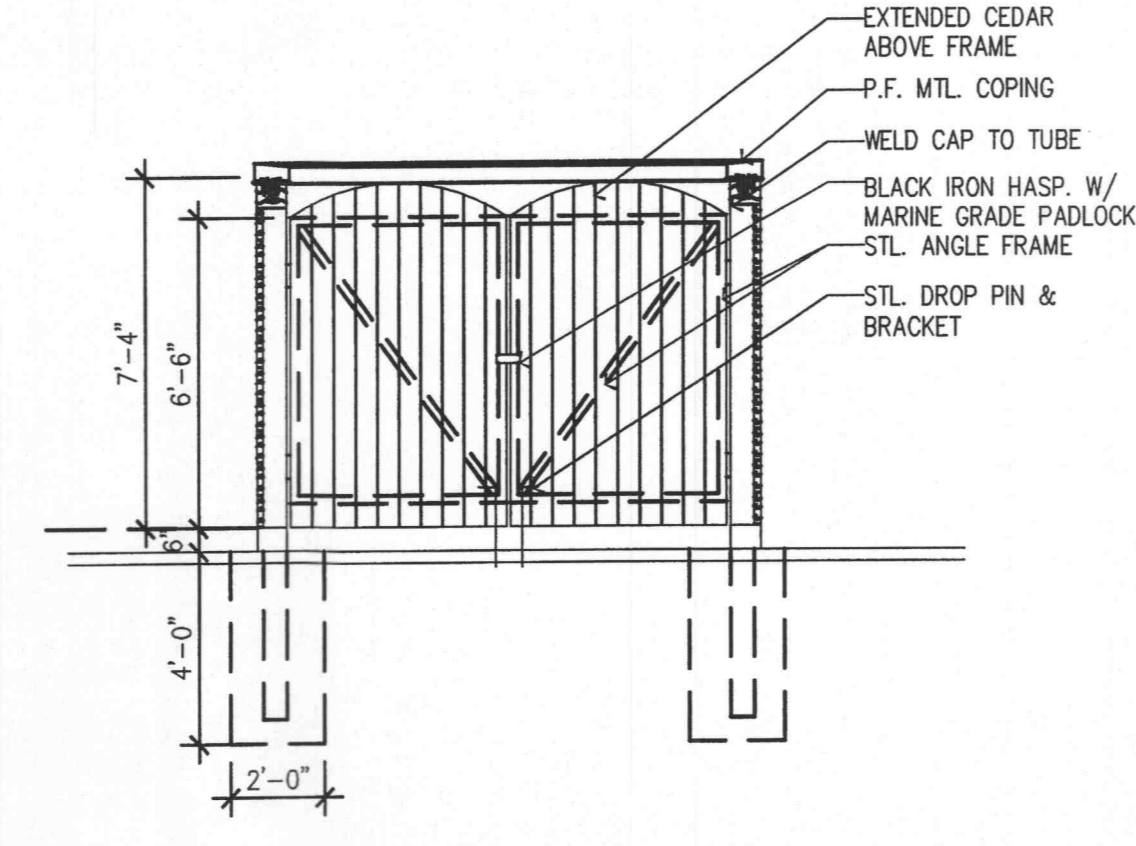
DATE	ISSUE
9-15-05	OWNER REVIEW
9-30-05	OWNER REVIEW
10-25-05	OWNER REVIEW
11-2-05	PERMIT & BID ISSUE
1-3-06	ADDENDUM NO. 3
	OWNER REVISIONS

PROJECT NUMBER
05-091
 ISSUE DATE
JANUARY 3, 2006

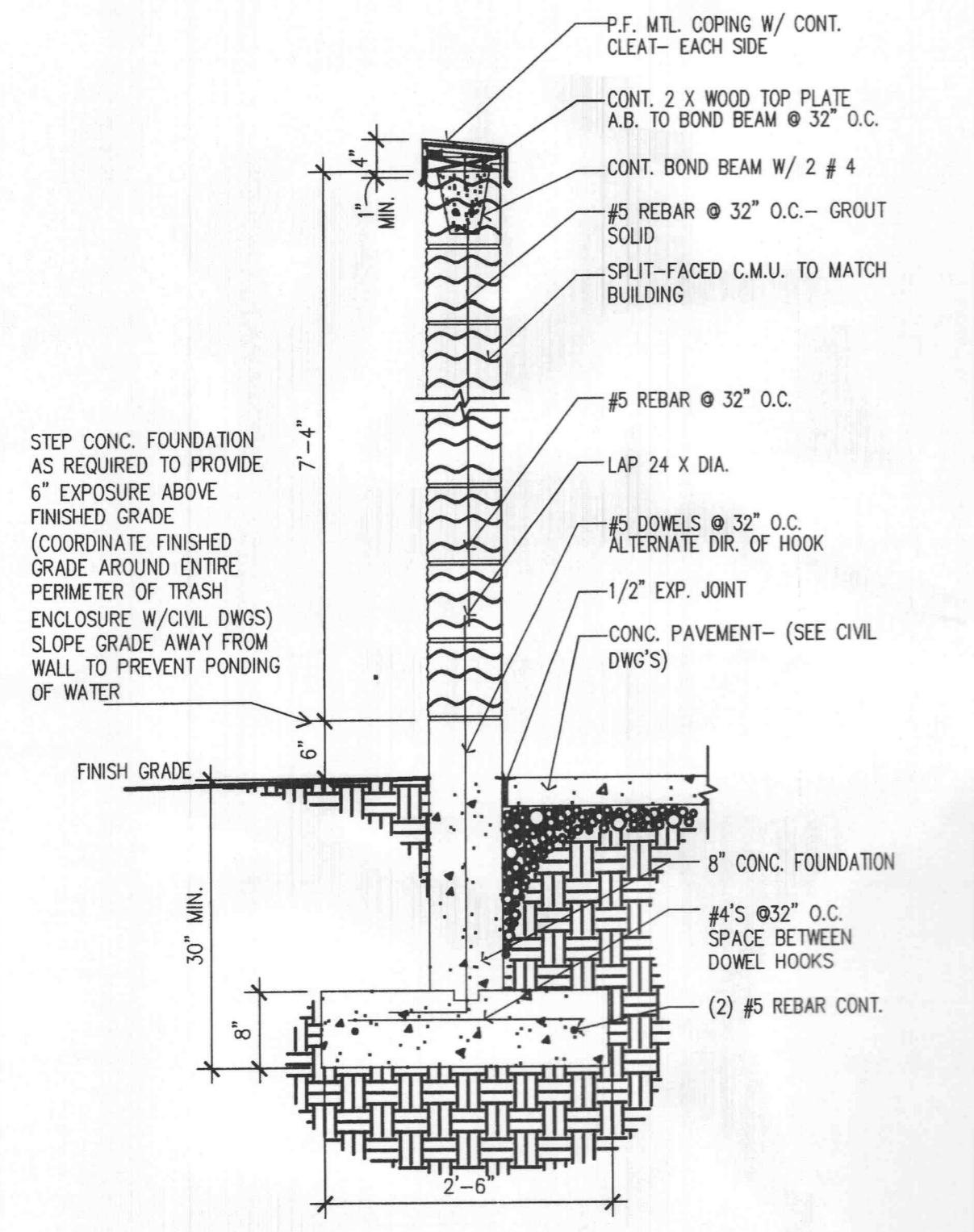
SHEET
A1.1
 ARCHITECTURAL
 SITE PLAN
 AND DETAILS



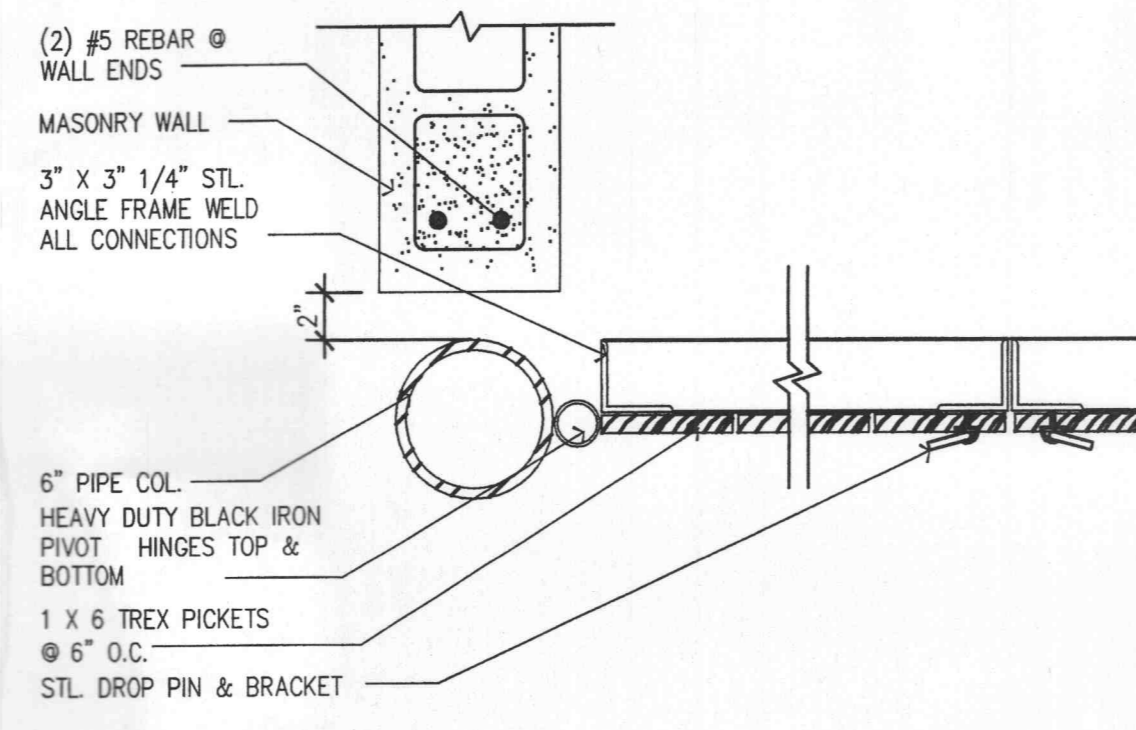
2 DUMPSTER ENCLOSURE PLAN
 A1.1|A1.1 SCALE: 1/4" = 1'-0" SEE CIVIL DWGS. FOR LOCATION



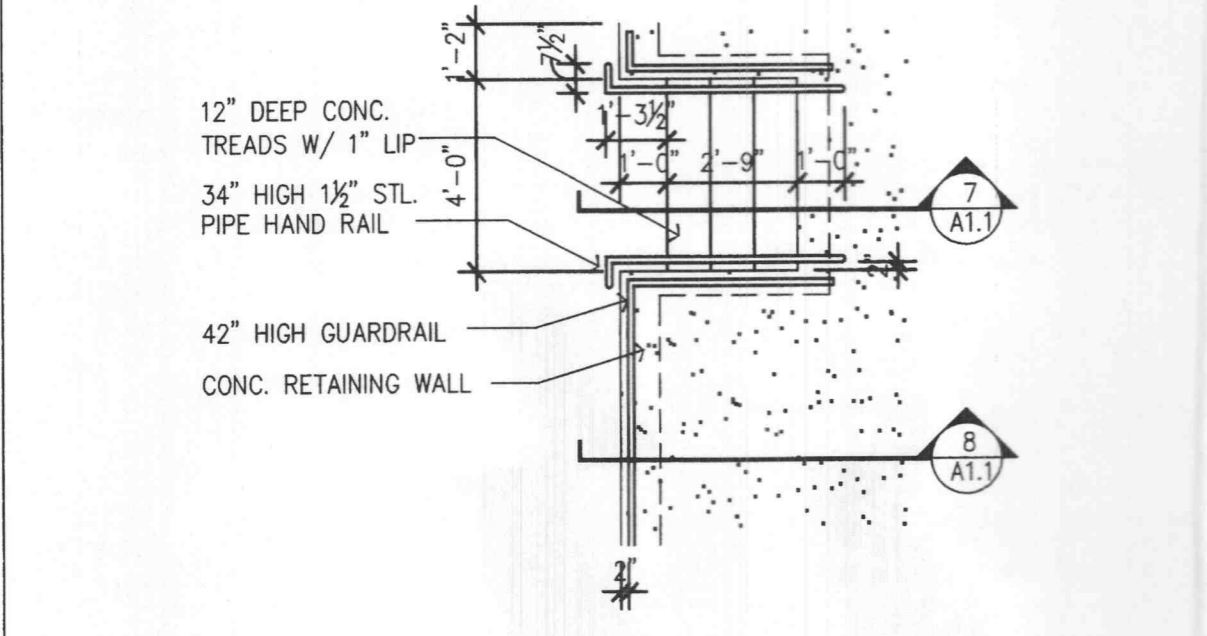
3 DUMPSTER ENCLOSURE ELEVATION
 A1.1|A1.1 SCALE: 1/4" = 1'-0"



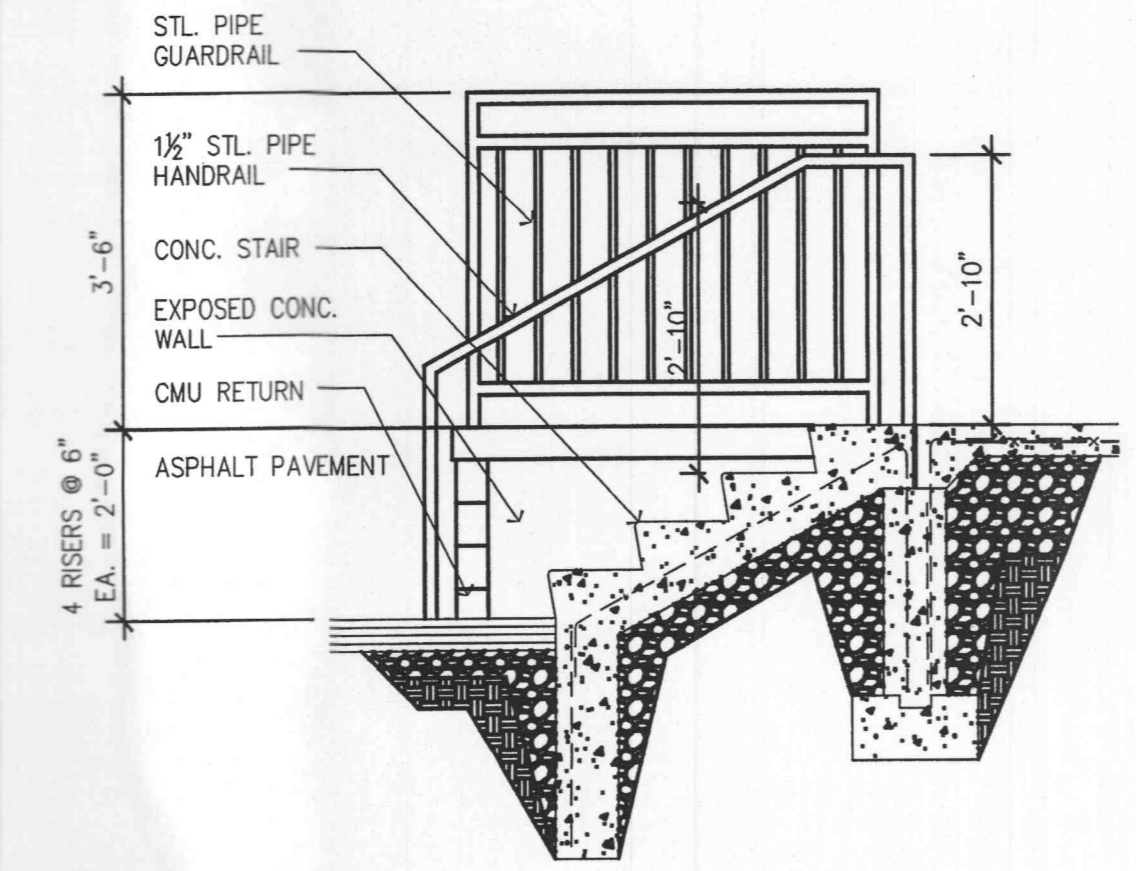
4 WALL SECTION
 A1.1|A1.1 SCALE: 3/4" = 1'-0"



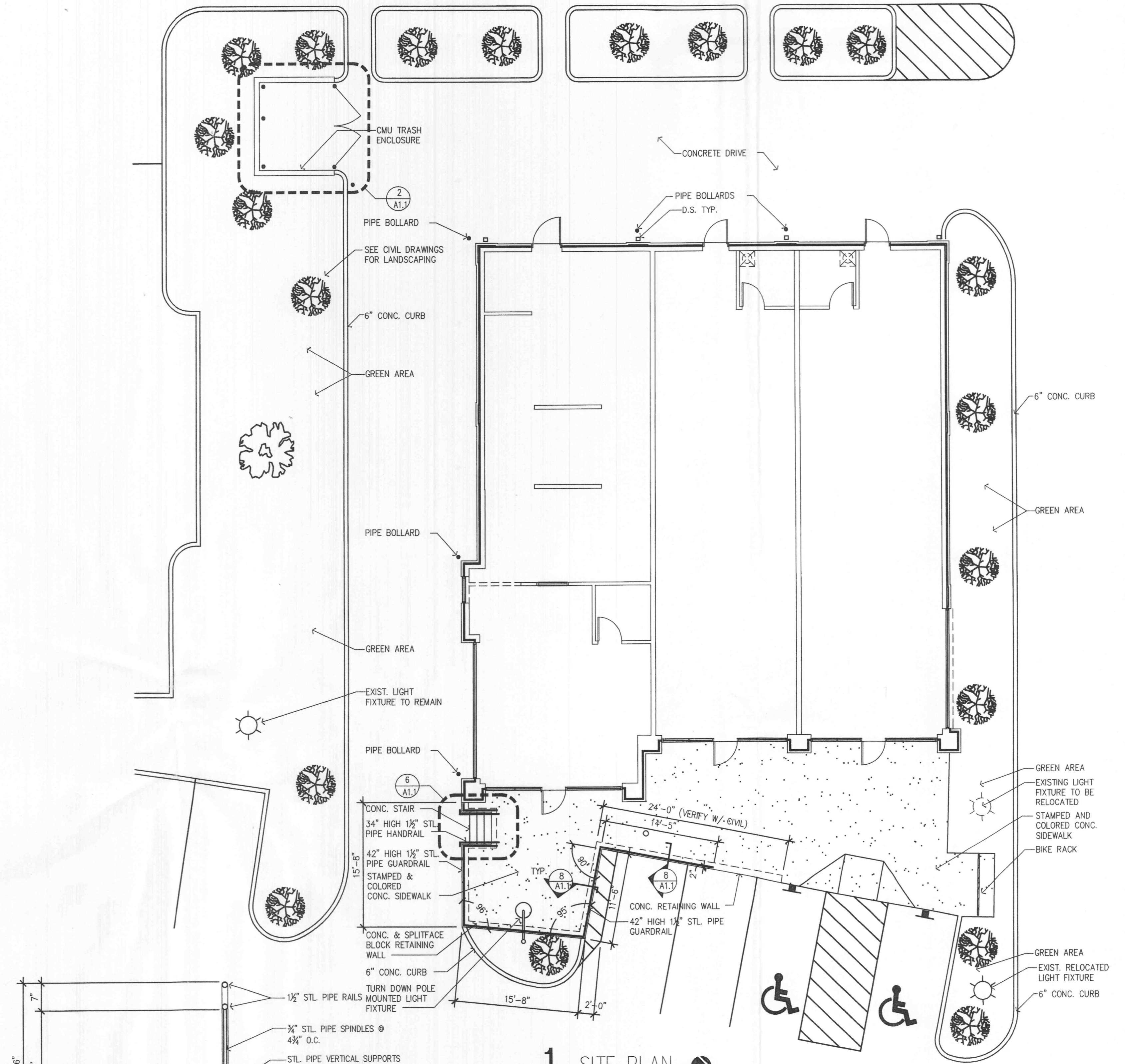
5 HINGE DETAIL
 A1.1|A1.1 SCALE: 1 1/2" = 1'-0"



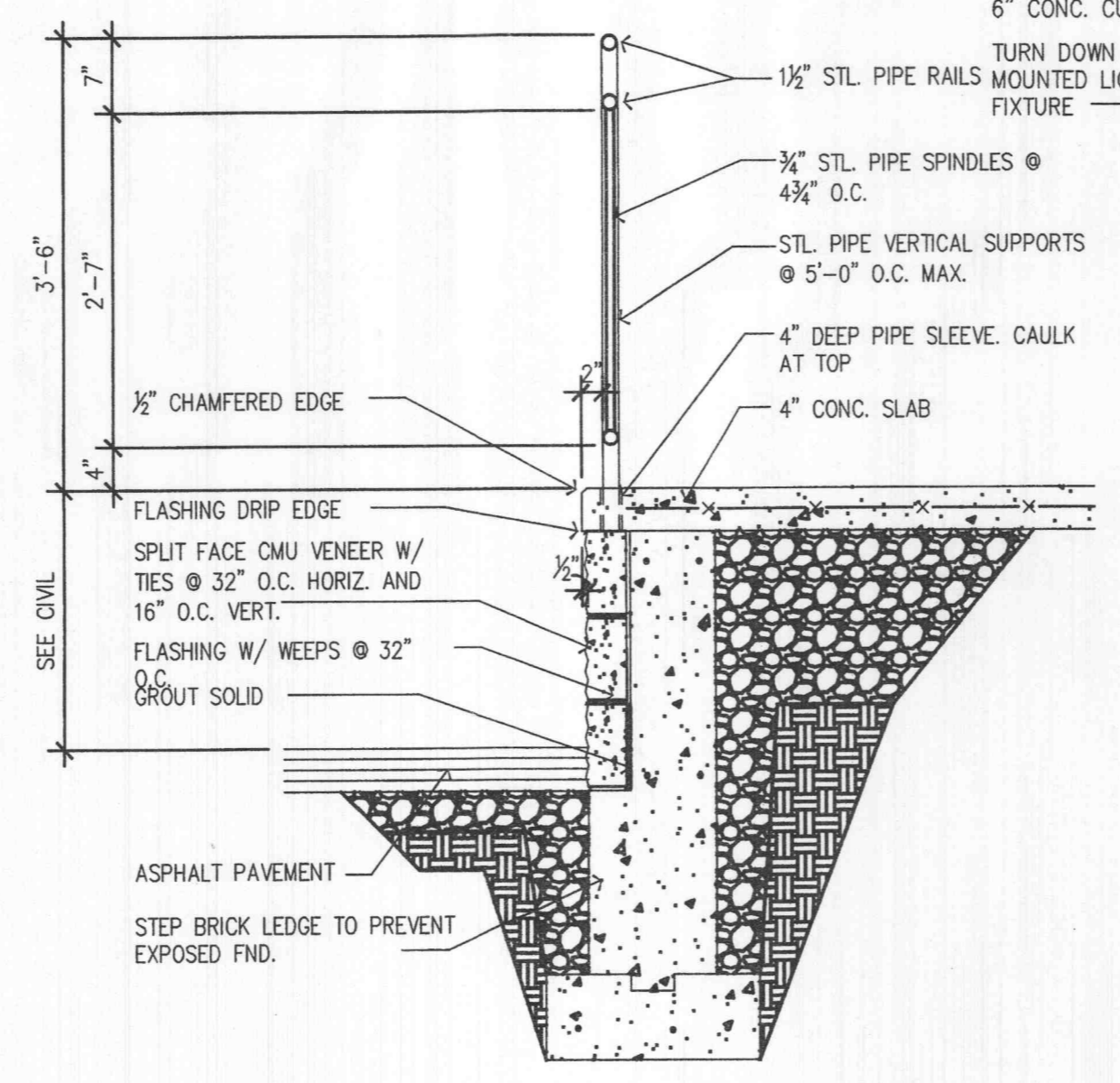
6 STAIR PLAN
 A1.1|A1.1 SCALE: 1/4" = 1'-0"



7 STAIR SECTION
 A1.1|A1.1 SCALE: 1/2" = 1'-0"



1 SITE PLAN
 A1.1|A1.1 SCALE: 1/8" = 1'-0" NORTH



8 WALL SECTION
 A1.1|A1.1 SCALE: 3/4" = 1'-0"