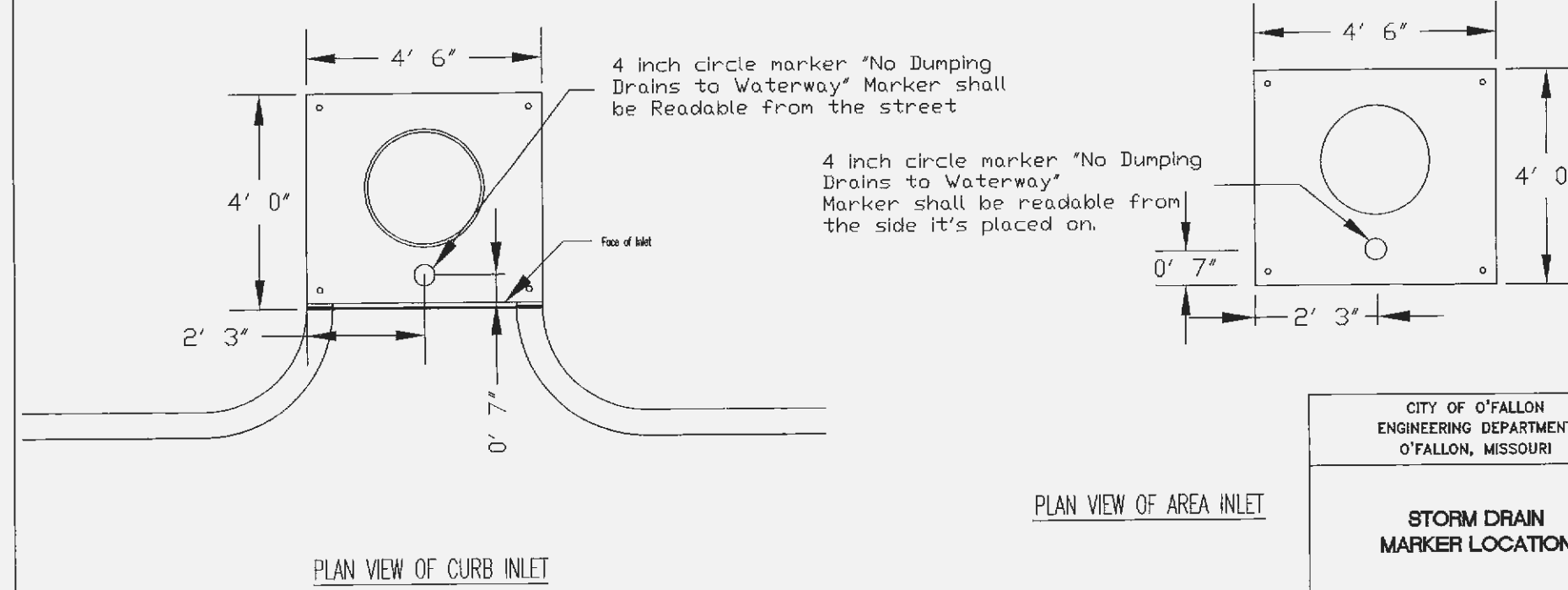


* The City of O'Fallon must be provided with a symbol/medallion for review and approval prior to installation. Contact the City if any information is needed.

Size	Style	Adhesive	Message (Part #)
3 7/8" TO 4"	Crystal Cap or Standard Style	Epoxy	No Dumping Drains to Waterway

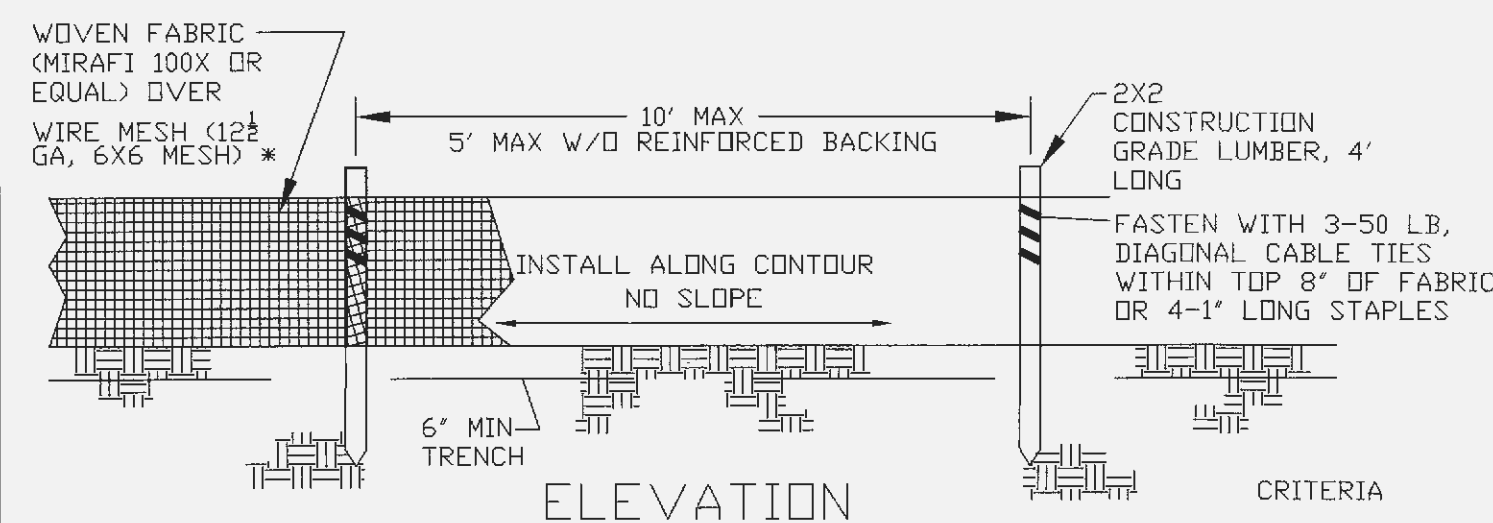


PLAN VIEW OF CURB INLET

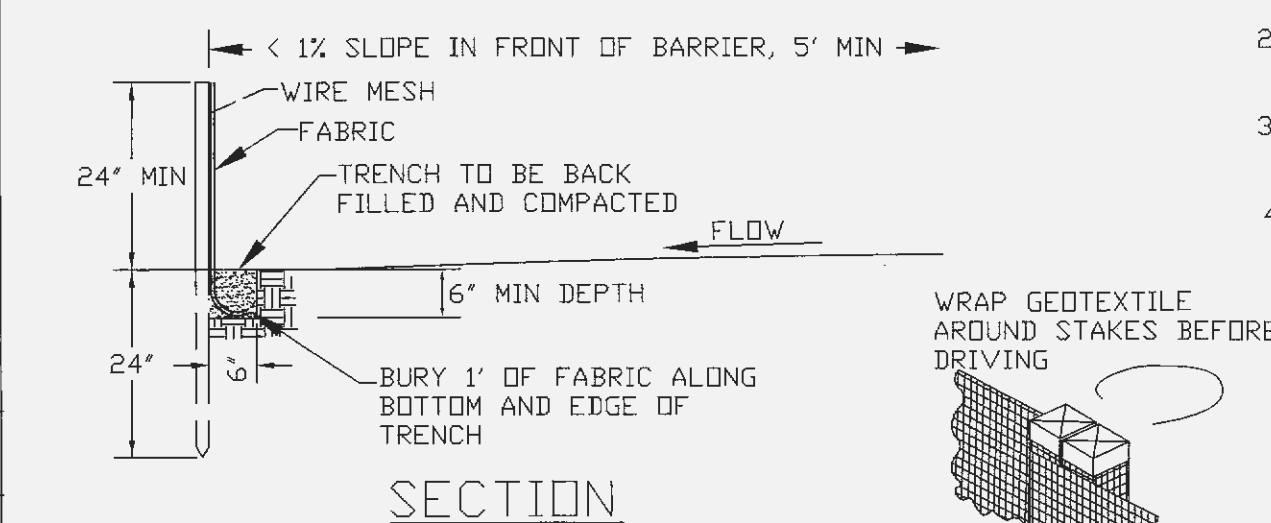
PLAN VIEW OF AREA INLET

STORM DRAIN MARKER LOCATION

CITY OF O'FALLON
ENGINEERING DEPARTMENT
O'FALLON, MISSOURI



ELEVATION



SECTION

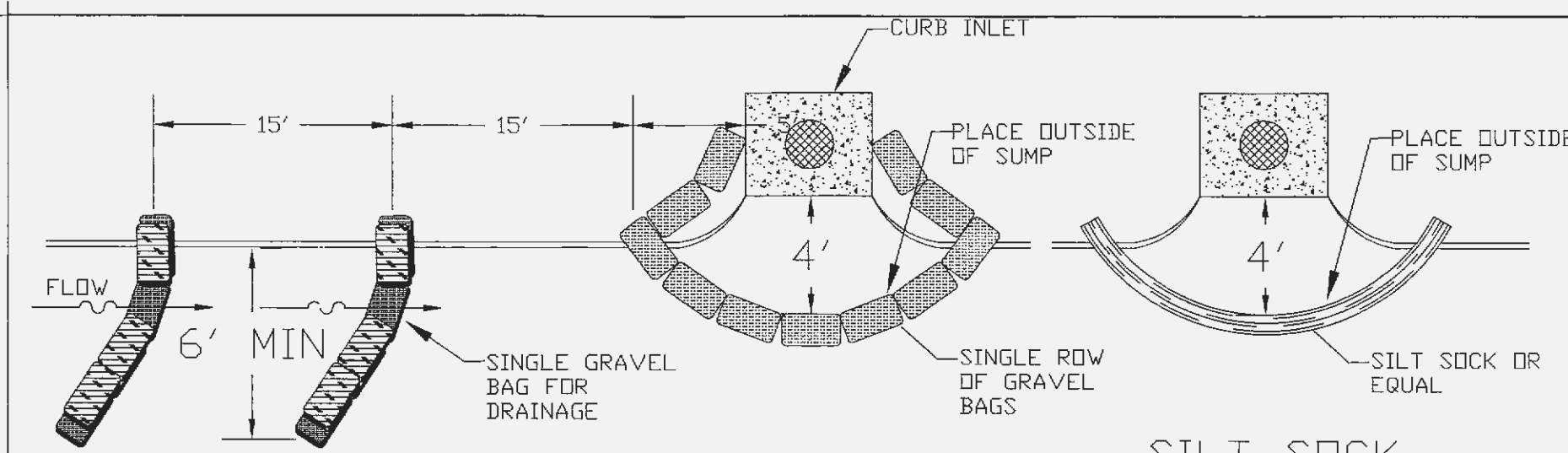
NOTE: IF FABRIC IS INSTALLED BY EQUIPMENT DESIGNED TO SLICE INTO THE GROUND, THE TRENCH IS NOT REQ'D.

JOINING SECTIONS OF SILT FENCE

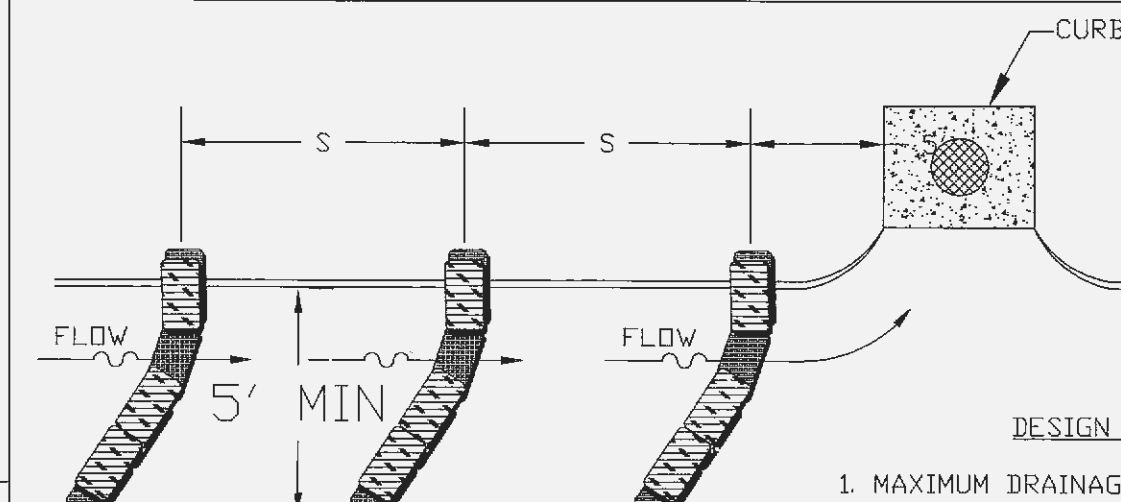
CITY OF O'FALLON
ENGINEERING DEPARTMENT
O'FALLON, MISSOURI

SILT FENCE INSTALLATION SHEET FLOW (ONLY)

- CRITERIA
- SILT FENCE SHALL BE 24 INCHES HIGH.
 - SILT FENCE SHALL NOT BE USED FOR CONCENTRATED FLOWS.
 - GEOSYNTHETIC REINFORCED SILT FENCE BACKING MAY BE USED IN LIEU OF WIRE MESH.
 - WIRE MESH WILL BE USED AT LOCATIONS SHOWN ON THE APPROVED SWPPP.



TRAP PLACEMENT AT LOW POINT



TRAP PLACEMENT AT INTERMEDIATE INLET

DESIGN CRITERIA

- MAXIMUM DRAINAGE AREA - 1 ACRE.
- PEAK RUNOFF SHALL BE ≤2 CFS BASED ON THE 6-MONTH STORM.
- STACK GRAVEL BAGS DOUBLE HIGH. PROVIDE GAP FOR DRAINAGE.

SILT SOCK (ALTERNATIVE)

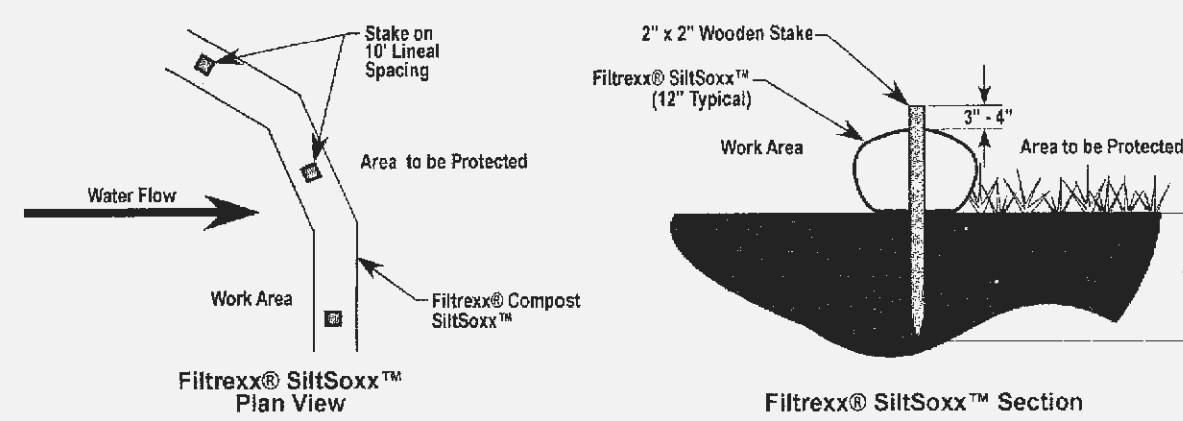
SPACING OF TRAPS

GUTTER SLOPE	LOW PT
1%	15'
2%	20'
3% MAX.	15'
	10'

CITY OF O'FALLON
ENGINEERING DEPARTMENT
O'FALLON, MISSOURI

CURB INLET PROTECTION

Filtrexx® SiltSoxx™ Details



Filtrexx® SiltSoxx™ Plan View

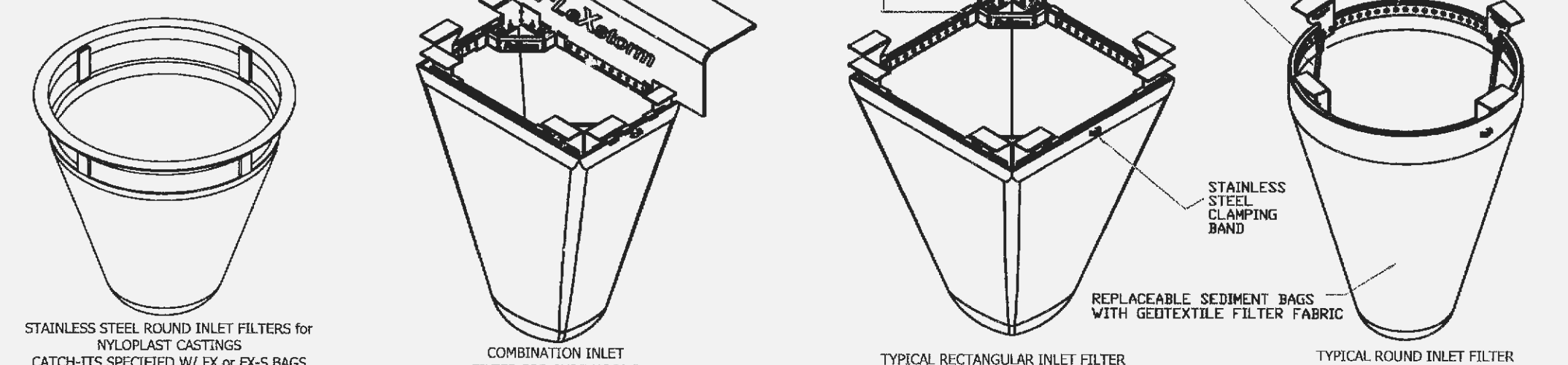
Filtrexx® SiltSoxx™ Section

- Notes:
- All material to meet Filtrexx® specifications.
 - SiltSoxx™ composite/siltsockseed fill to meet application requirements.
 - SiltSoxx™ depleted is for minimum slopes. Greater slopes may require larger socks per the Engineer.
 - Compost material to be dispersed on site, as determined by Engineer.

Slope Percent	Maximum Slope Length Above SiltSoxx™ in Feet (meters)*				
	8 in (200 mm) SiltSoxx™	12 in (300 mm) SiltSoxx™	18 in (450 mm) SiltSoxx™	24 in (600mm) SiltSoxx™	32 in (800mm) SiltSoxx™
2 (or less)	600 (180)	750 (225)	1000 (300)	1300 (400)	1650 (500)
5	400 (120)	500 (150)	550 (165)	650 (200)	750 (225)
10	200 (60)	250 (75)	300 (90)	400 (120)	500 (150)
15	140 (40)	170 (50)	200 (60)	325 (100)	450 (140)
20	100 (30)	125 (38)	140 (42)	260 (80)	400 (120)
25	80 (24)	100 (30)	110 (33)	200 (60)	375 (85)
30	60 (18)	75 (23)	90 (27)	130 (40)	200 (60)
35	60 (18)	75 (23)	80 (24)	115 (35)	150 (45)
40	60 (18)	75 (23)	80 (24)	100 (30)	125 (38)
45	40 (12)	50 (15)	60 (18)	80 (24)	100 (30)
50	40 (12)	50 (15)	55 (17)	65 (20)	75 (23)

*Based on a failure point of 36 in (0.9 m) super silt fence (wire reinforced) at 1000 lb (303 m) of slope, watershed with equivalent to receiving length of sediment control device, 1 in / 24 hr (25 mm/24 hr) rain event. **Effective height of SiltSoxx™ after installation and with constant head from runoff as determined by Ohio State University.

FLEXSTORM INLET FILTERS PRODUCT SELECTION AND SPECIFICATION DRAWING



1. IDENTIFY YOUR FRAME STYLE, SIZE, AND MATERIAL

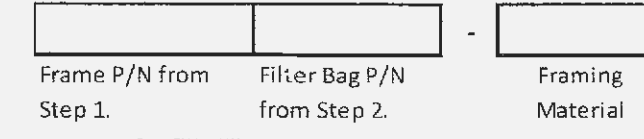
STYLE	FRAME STYLE AND SIZE	Frame P/N
ROUND	Small Round (up to 20.0" dia grates (A) dim)	62SRD
	Med Round (20.1" - 26.0" dia grates (A) up to 25" dia openings (B))	62MRD
	Large Round (26.1" - 32.0" dia grates (A) up to 30" dia openings (B))	62LRD
RECT. SQUARE	XL Round (32.1" dia - 38" dia grates (A) up to 37" dia openings (B))	62XLRD
	Small Rect / Square (up to 36" (B) x 36" (D) openings or 84" perimeter)	62RSQ
	Med Rect / Square (up to 24" (B) x 24" (D) openings or 96" perimeter)	62MSQ
WALL MOUNT	Large Rect / Square (up to 36" (B) x 24" (D) openings or 120" perimeter)	62LSQ
	XL Rect / Square (side by side 2 pc set to fit up to 48" (B) x 36" (D) openings)	62XLSQ
	Small Rect / Square (ref Rect sizing; shipped with Magnetic Curb Flaps)	62SCB
NICKEL-PLATED	Med Rect / Square (ref Rect sizing; shipped with Magnetic Curb Flaps)	62MCB
	Large Rect / Square (ref Rect sizing; shipped with Magnetic Curb Flaps)	62LCB
	XL Rect / Square (ref Rect sizing; shipped with Magnetic Curb Flaps)	62XLCB
WALL MOUNT	12" diameter Nyloplast castings (Stainless Steel) Framing standard)	6212NY
	15" diameter Nyloplast castings (Stainless Steel) Framing standard)	6215NY
	18" diameter Nyloplast castings (Stainless Steel) Framing standard)	6218NY
WALL MOUNT	24" diameter Nyloplast castings (Stainless Steel) Framing standard)	6224NY
	30" diameter Nyloplast castings (Stainless Steel) Framing standard)	6230NY
	Open Throat Gutters - Curb Opening Size	
WALL MOUNT	Up to 4" (1 Filter and Mounting Hardware)	62WMB
	Between 4" and 8" (2 Filters and Mounting Hardware)	62WMD
	Between 8" and 12" (3 Filters and Mounting Hardware)	62WMB
WALL MOUNT	Between 12" and 16" (4 Filters and Mounting Hardware)	62WMB
	UPGRADED FRAMING MATERIAL OPTIONS (STANDARD IS ZINC PLATED)	SUFFIX
	CHROME PLATED FRAMING FOR HIGH SALT EXPOSURE	-CHR
WALL MOUNT	STAINLESS STEEL FRAMING FOR HIGH SALT AND/OR CHEMICAL EXPOSURE	-SS

2. SELECT YOUR FILTER BAG PART NUMBER

FLEXSTORM FILTER BAGS	(22" depth) STD Bag P/N	(12" depth) Short Bag P/N	Clean Water Flow Rate (GPM/SqFt)	Min A.O.S. (US Sieve)
FX-Standard Woven Bag	FX	FX-S	200	40
FX-Woven w/ MyCelx	FXP	FXP-S	200	40
FXO-Woven w/ Oil Boom	FXO	FXO-S	200	40
PC-Post Construction Bag	PC	PC-S	137	140
PCP-PC Bag w/ MyCelx	PCP	PCP-S	137	140
LL-Litter and Leaf Bag	LL	LL-S	High	3.5
IL-IDOT Non-Woven Bag	IL	IL-S	145	70

- INSTALLATION:
- REMOVE GRATE
 - DROP FLEXSTORM INLET FILTER INTO LOAD BEARING LIP OF CASTING OR CONCRETE STRUCTURE
 - REPLACE GRATE

3. CREATE YOUR FLEXSTORM INLET FILTER PART NUMBER



SPECIFICATIONS FOR STANDARD BAGS BY NOMINAL SIZE

Nominal Bag Size	Solids Storage (CuFt)	Filtered Flow Rate at 50% Max	PC (Woven)	PC (Post Constr)	PC (Non Woven)	PC Oil Retent (Oz)	PCP Oil Retent (Oz)
Small	1.6	1.2	0.8	0.9	66	155	
Medium	2.1	1.8	1.2	1.3	96	185	
Large	3.8	2.2	1.5	1.6	120	209	
XL	4.2	2.6	2.4	2.6	192	370	

* PC filter bag at 50% max adsorption capacity
** PCP filter bag at 50% capacity and MyCelx skimmer at 100% capacity

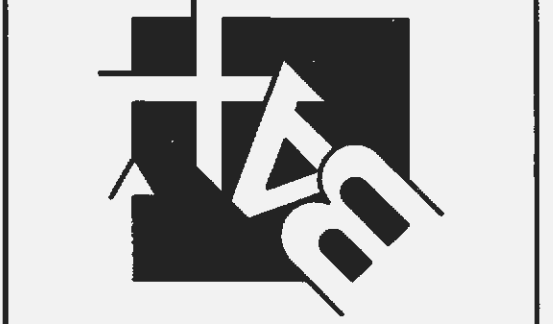
ALL PRODUCTS MANUFACTURED BY INLET & PIPE PROTECTION, INC. DISTRIBUTED BY ADS WWW.INLETFILTERS.COM (866) 287-8655 PH (630) 355-3477 FX INFO@INLETFILTERS.COM

SIZE	DWG NO	REV
C	FLEXSTORM_SPECS	
SCALE	SHEET 1 OF 1	

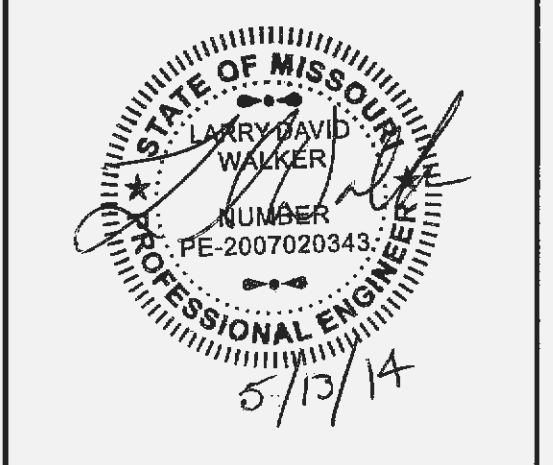
ENGINEER'S SEAL DOES NOT APPLY TO DETAILS ON THIS SHEET.

PROJECT TITLE:
INQUIRY INTELLIGENCE SYSTEMS

ENGINEERING PLANNING SURVEYING
221 Point West Blvd.
St. Charles, MO 63301
636-828-5652
FAX 636-828-1718



DISCLAIMER OF RESPONSIBILITY
I hereby specify that the documents intended to be authorized by my seal are limited to this sheet, and I hereby disclaim any responsibility for all other drawings, specifications, estimates, reports or other documents or instruments relating to or intended to be used for any part or parts of the architectural or engineering project or survey.



REVISIONS

DATE	BY	REVISION
05/01/14		CITY COMMENTS
05/13/14		CITY COMMENTS

Developer / Owner:
INQUIRY INTELLIGENCE SYSTEMS
18 NORTH CENTRAL AVENUE
O'FALLON, MO 63366
(636) 240-1800

CONSTRUCTION DETAILS

P+Z No. #20-14.01
City No. #14-163

Page No. 9 of 9

Blax Project # 95-6653B Issue Date: 04/21/2014