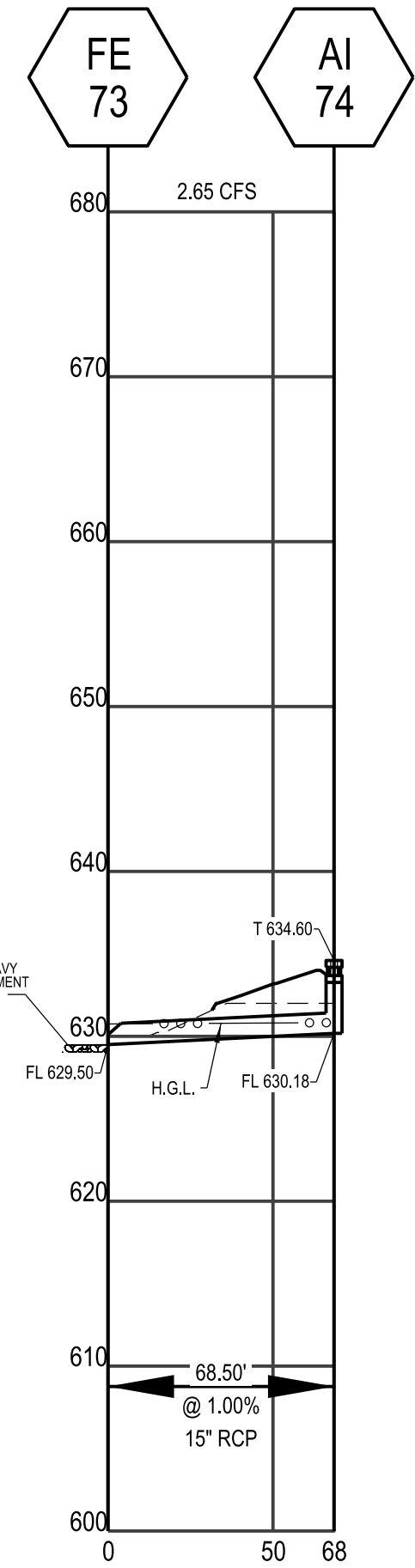
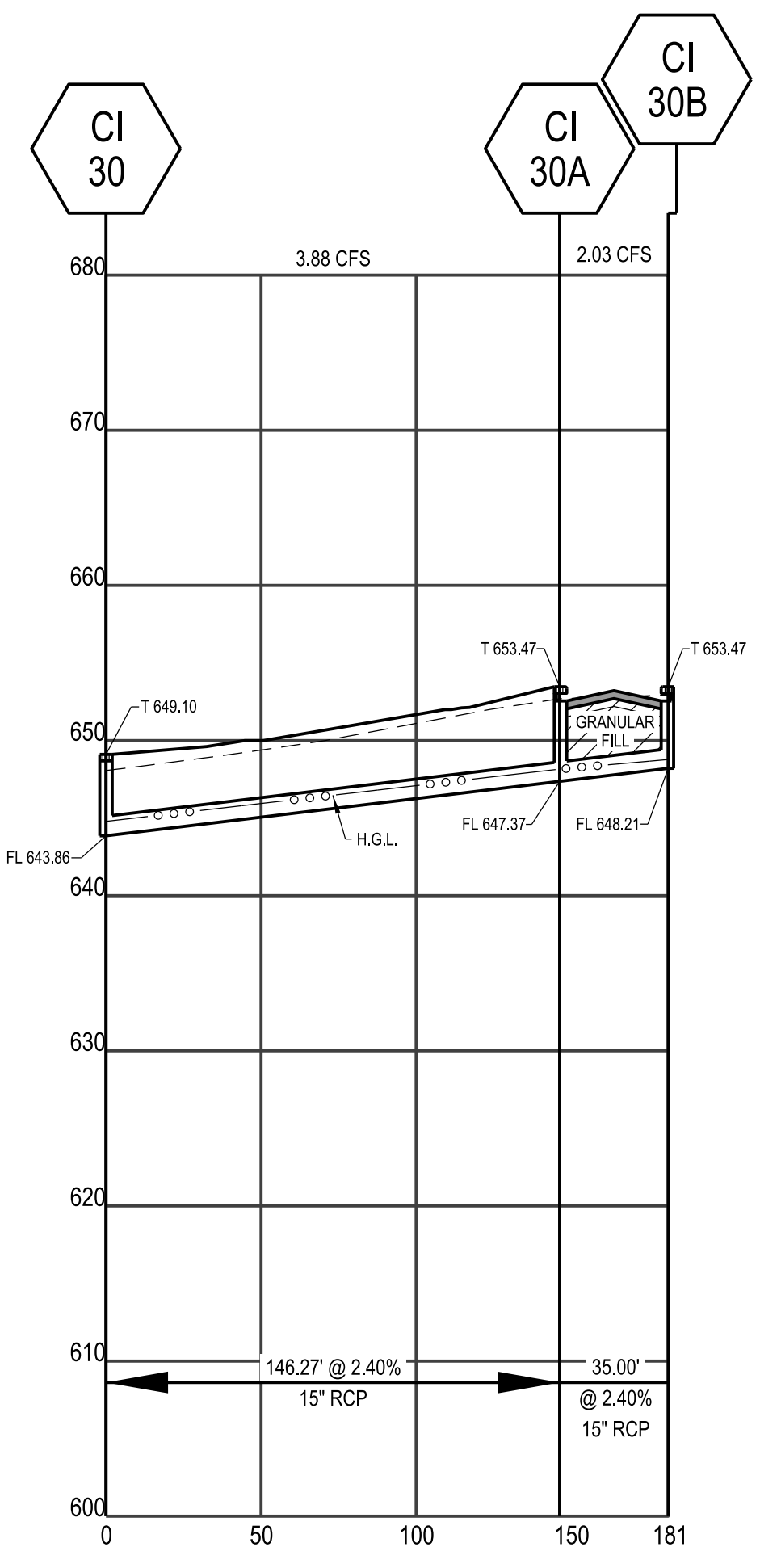
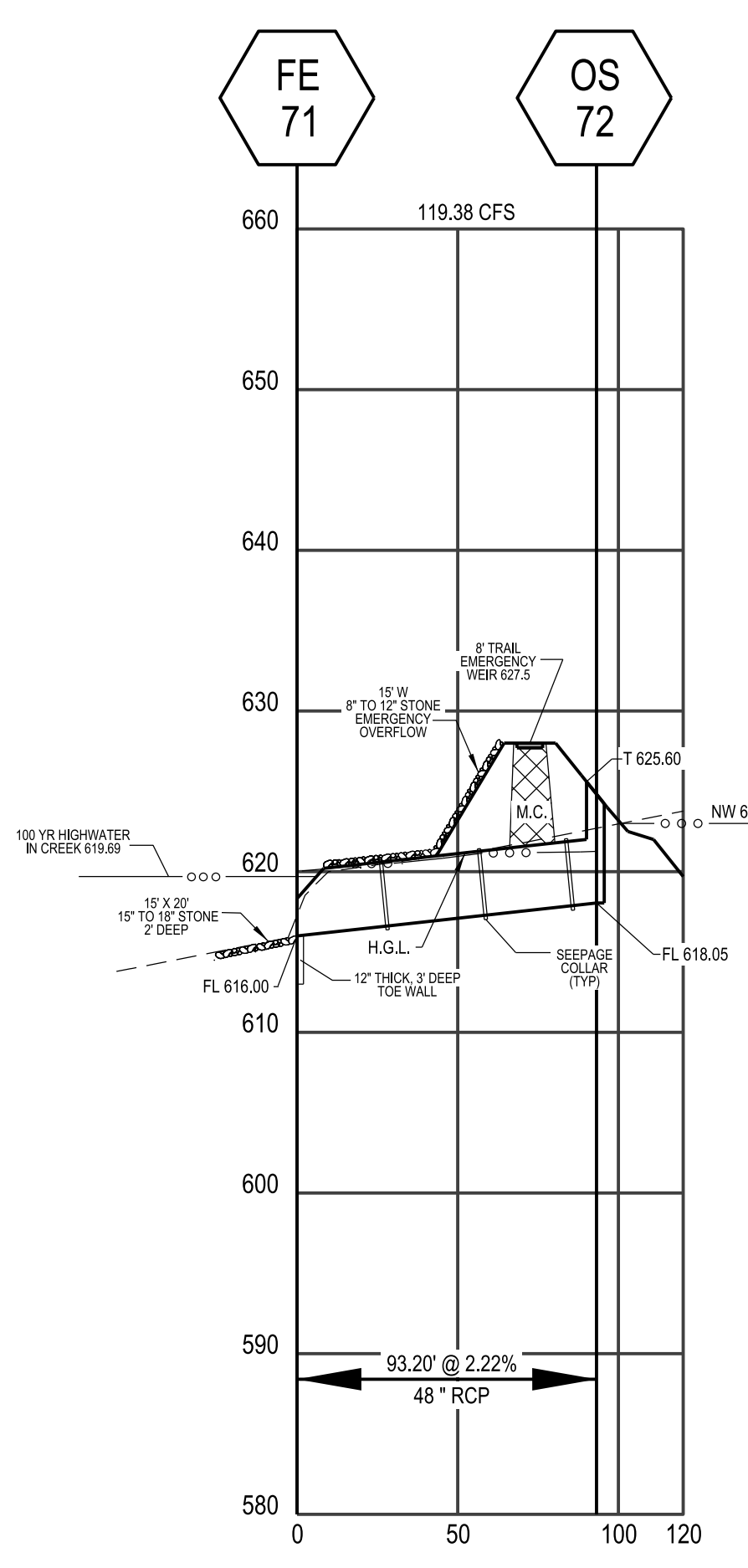
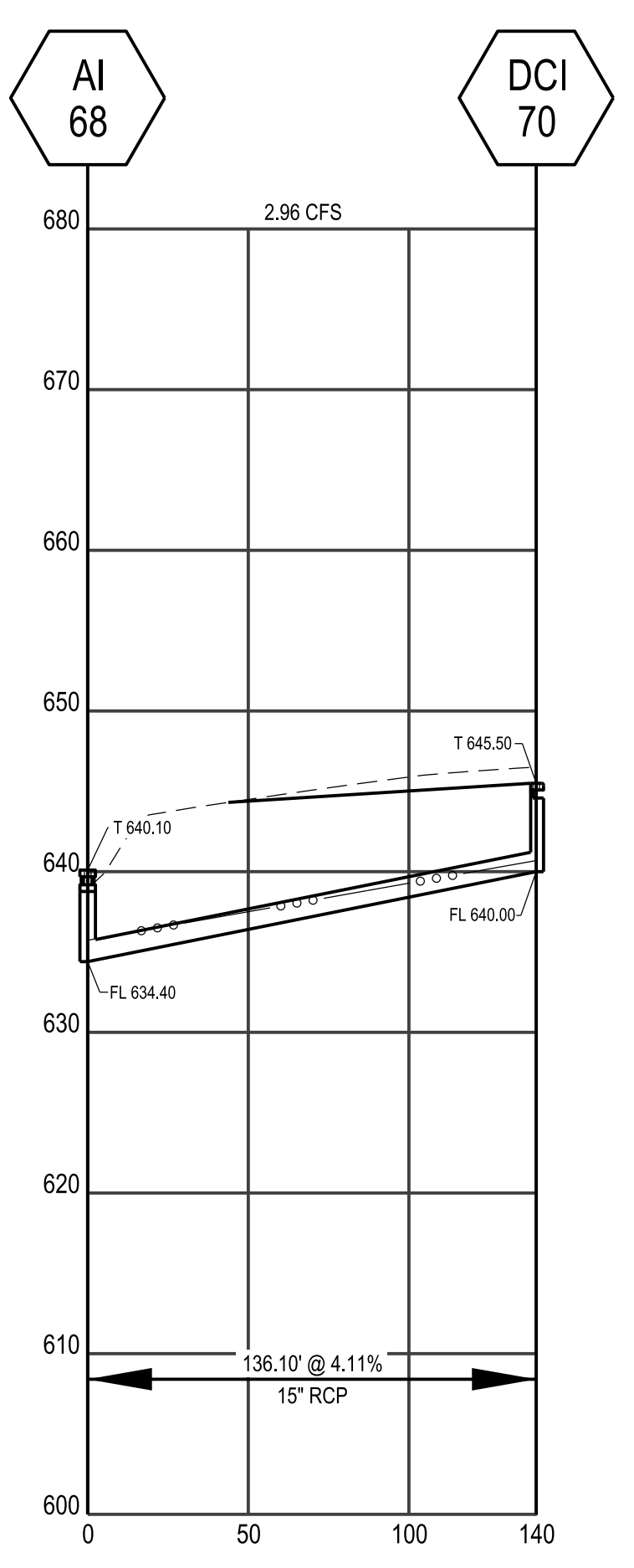
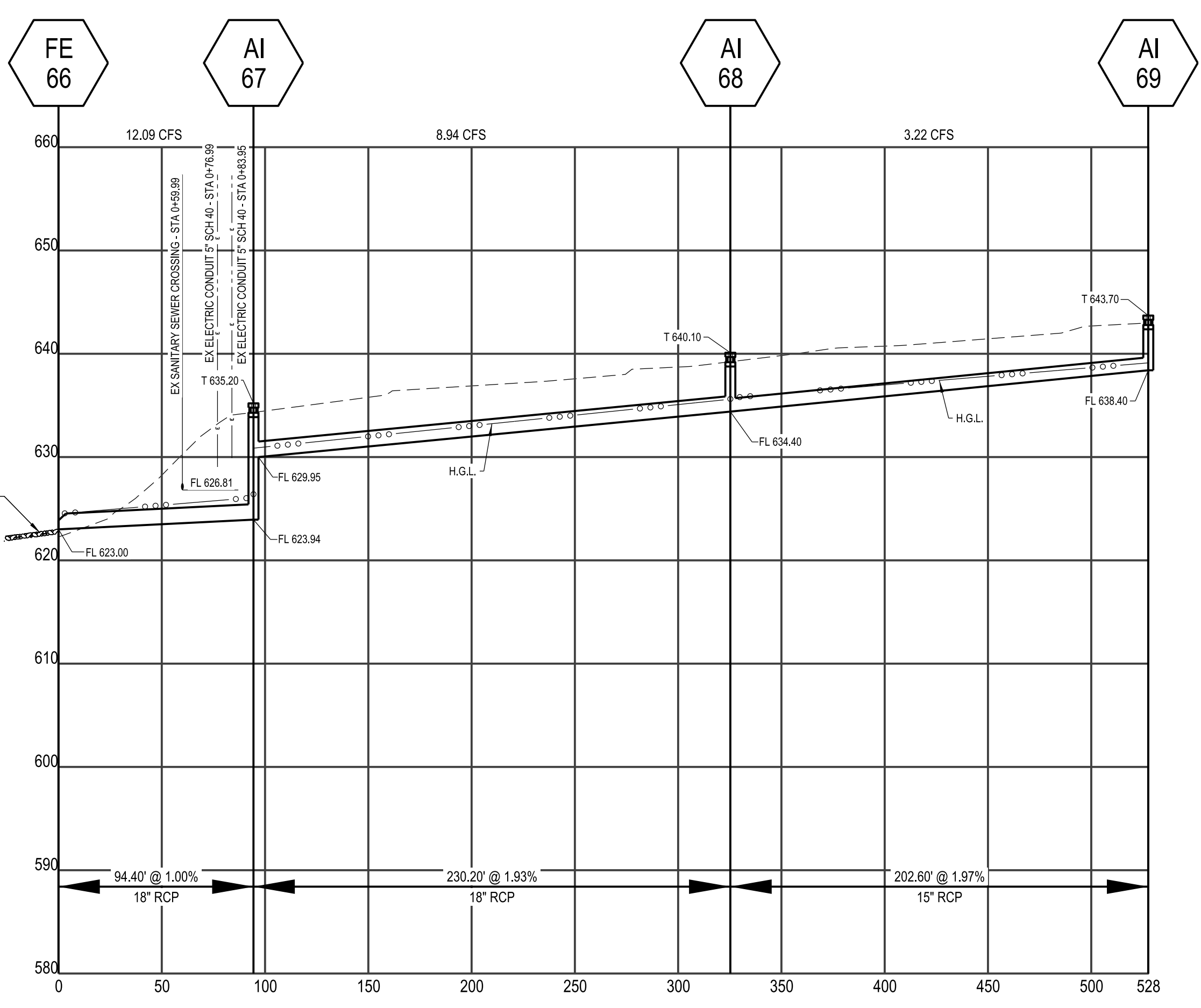
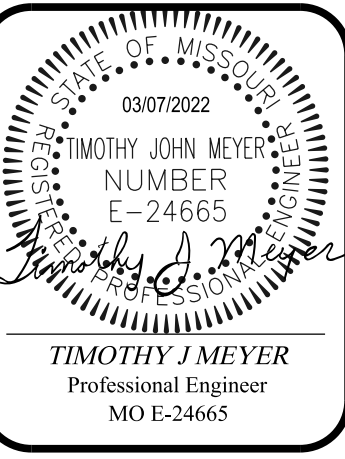


H:\CAD\24400-22450\mp\Drawings\22450 - C26 Storm Sewer.dgn - Master Model 3/7/2022 2:12:51 PM Plotted by j.parkins Plot Scale: 50.000000 - J:\as\plot\Driver\Voice5 PDF.plt;g Pen Table: voice5 PDF.tbl



ENGINEERS
 LAND PLANNING
 LAND SURVEYING
 TRANSPORTATION
 CONSTRUCTION MANAGEMENT
VOLZ Incorporated
 10848 Indian Head Trl. Bldg.
 St. Louis, Missouri 63132
 314-426-0212 Main
 314-426-0213 Fax
 www.volzinc.com
 Authority #203



TIMOTHY J. MEYER
 Professional Engineer
 MO E-24665

INVERNESS

STORM SEWER
 1575 BRYAN RD.
 Project # 22450
PHASE 3
 01/20/2022
C26