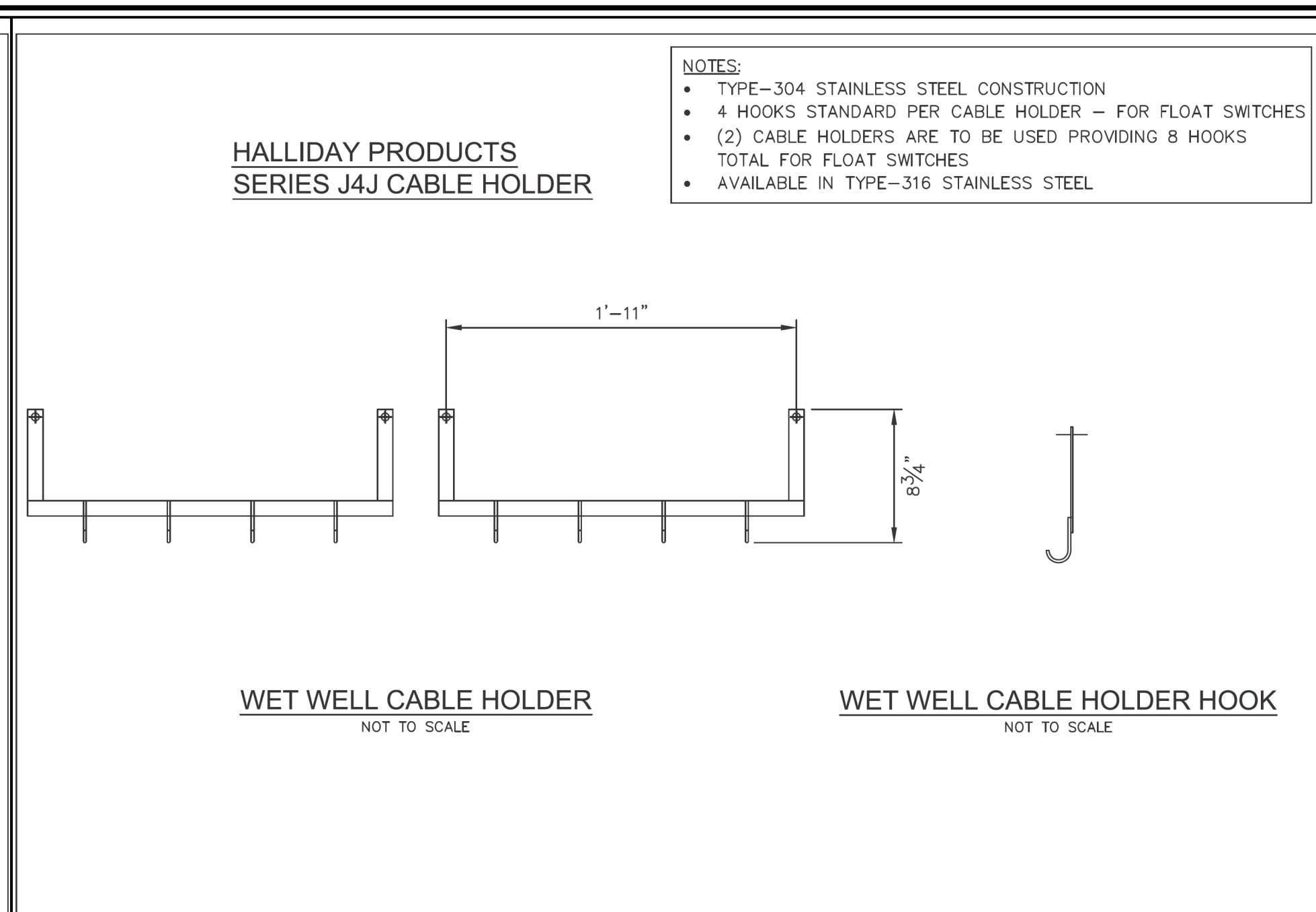
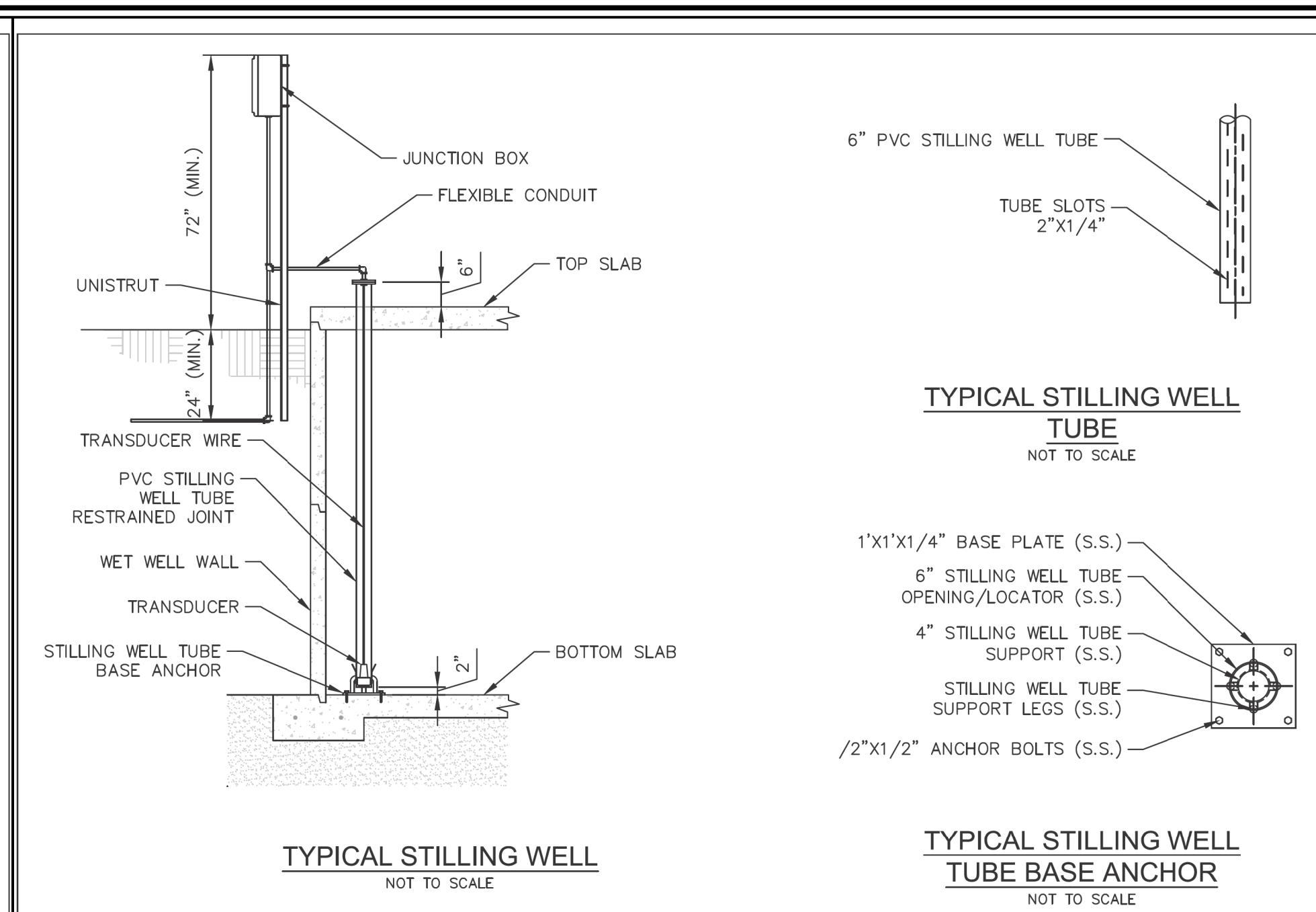


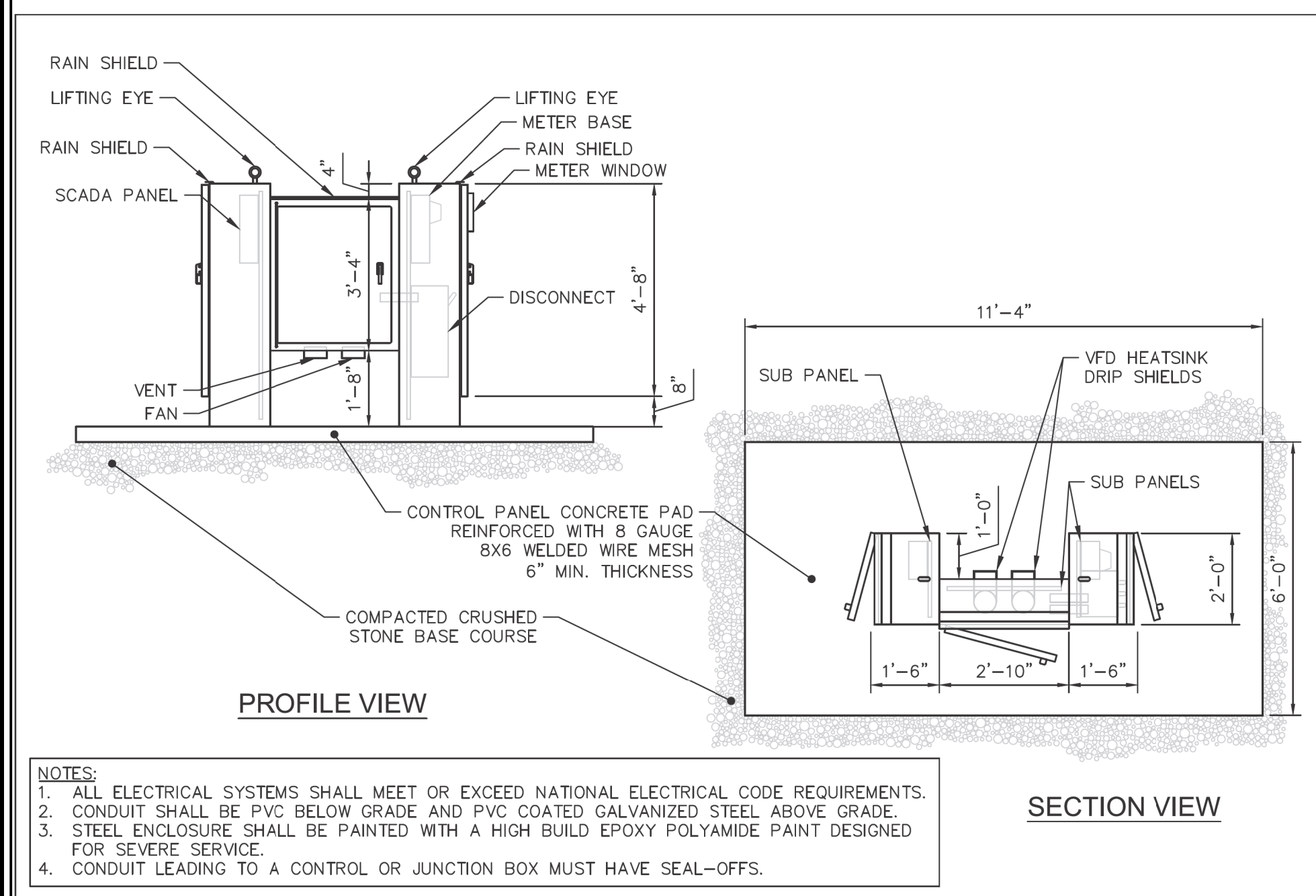
<p>gonzalez 1515 BENTLEY BLVD SUITE 200 SAINT LOUIS, MO 63104 PHONE: (314) 861-1888 WWW.GONZALEZCO.COM</p>	<p>TYPICAL LIFT STATION DETAILS TYPICAL BY-PASS PUMP CONNECTION</p>	<p>CITY OF O'FALLON 100 NORTH MAIN O'FALLON, MO. 63366</p>	<p>PREPARED BY: J.J.H. CHECKED BY: J.J.H. DATE: 06/04/2020 DETAIL NUMBER: G</p>	<p>PROJECT NO: 18-203-02 SHEET 7 OF 10</p>
			<p>gonzalez 1515 BENTLEY BLVD SUITE 200 SAINT LOUIS, MO 63104 PHONE: (314) 861-1888 WWW.GONZALEZCO.COM</p>	<p>TYPICAL LIFT STATION DETAILS TYPICAL WET WELL CABLE HOLDER</p>



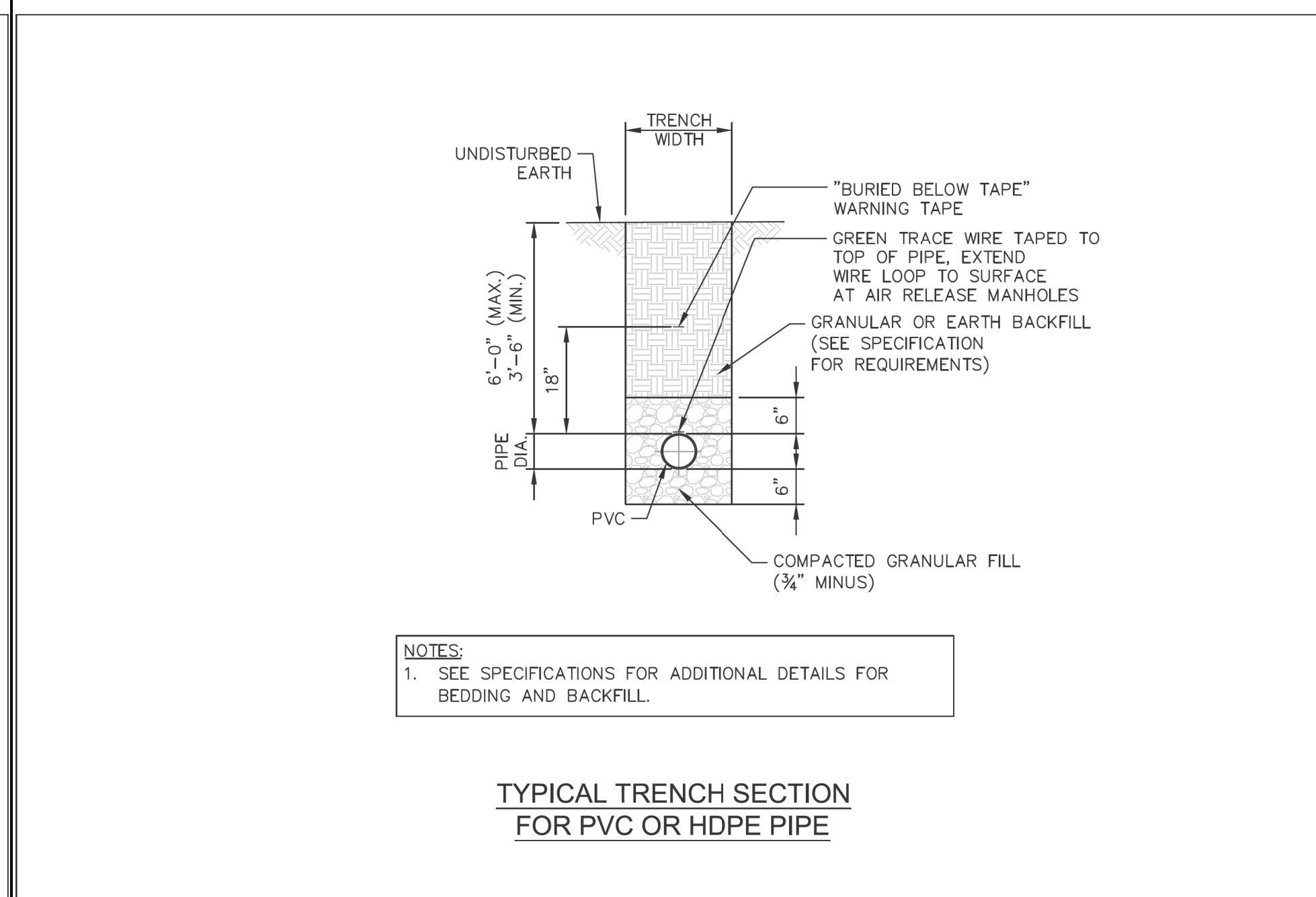
<p>gonzalez 1515 BENTLEY BLVD SUITE 200 SAINT LOUIS, MO 63104 PHONE: (314) 861-1888 WWW.GONZALEZCO.COM</p>	<p>TYPICAL LIFT STATION DETAILS TYPICAL WET WELL CABLE HOLDER</p>	<p>CITY OF O'FALLON 100 NORTH MAIN O'FALLON, MO. 63366</p>	<p>PREPARED BY: J.J.H. CHECKED BY: J.J.H. DATE: 06/04/2020 DETAIL NUMBER: H</p>	<p>PROJECT NO: 18-203-02 SHEET 8 OF 10</p>
			<p>gonzalez 1515 BENTLEY BLVD SUITE 200 SAINT LOUIS, MO 63104 PHONE: (314) 861-1888 WWW.GONZALEZCO.COM</p>	<p>TYPICAL LIFT STATION DETAILS TYPICAL STILLING WELL</p>



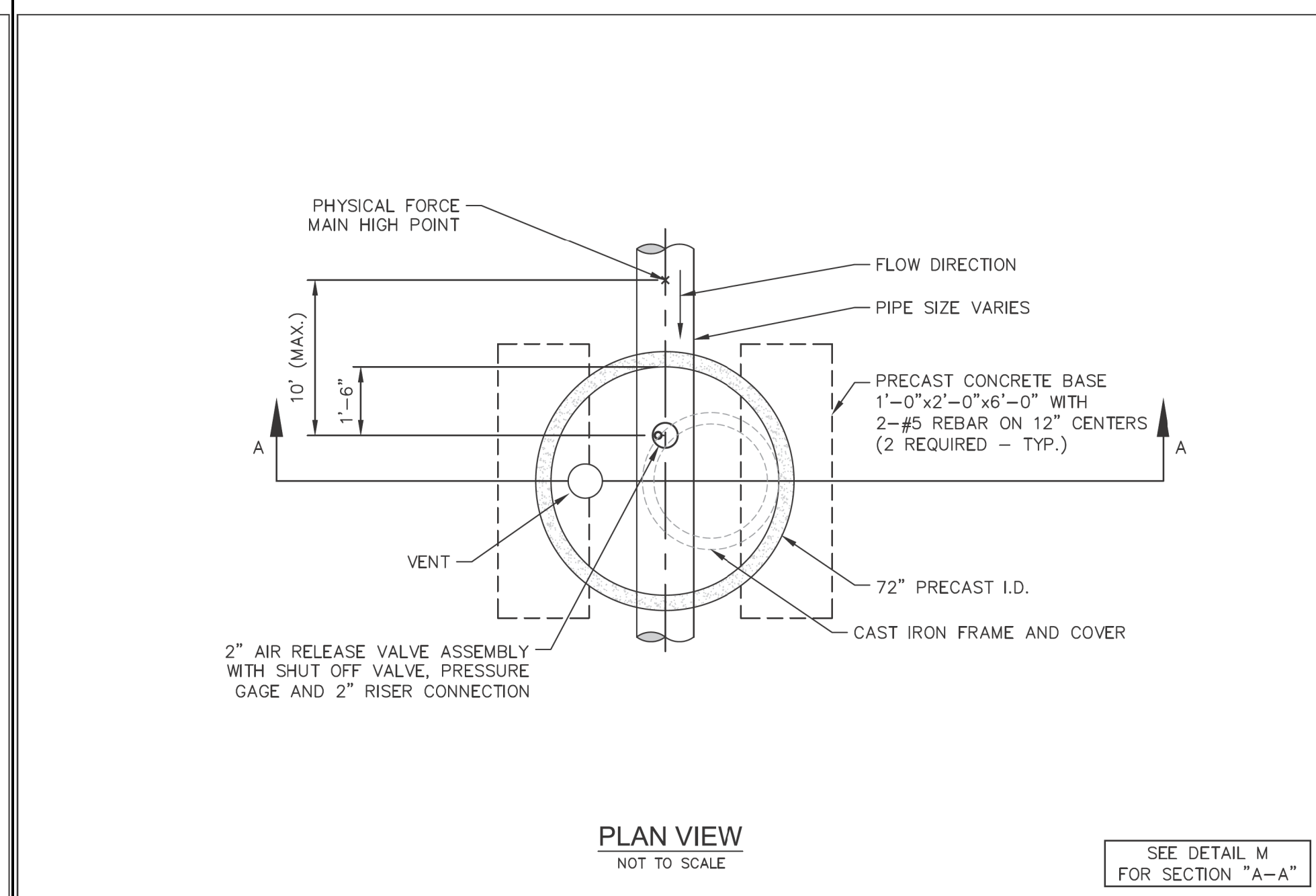
<p>gonzalez 1515 BENTLEY BLVD SUITE 200 SAINT LOUIS, MO 63104 PHONE: (314) 861-1888 WWW.GONZALEZCO.COM</p>	<p>TYPICAL LIFT STATION DETAILS TYPICAL STILLING WELL</p>	<p>CITY OF O'FALLON 100 NORTH MAIN O'FALLON, MO. 63366</p>	<p>PREPARED BY: J.J.H. CHECKED BY: J.J.H. DATE: 06/04/2020 DETAIL NUMBER: I</p>	<p>PROJECT NO: 18-203-02 SHEET 9 OF 10</p>
			<p>gonzalez 1515 BENTLEY BLVD SUITE 200 SAINT LOUIS, MO 63104 PHONE: (314) 861-1888 WWW.GONZALEZCO.COM</p>	<p>TYPICAL LIFT STATION DETAILS TYPICAL AIR RELEASE</p>



<p>gonzalez 1515 BENTLEY BLVD SUITE 200 SAINT LOUIS, MO 63104 PHONE: (314) 861-1888 WWW.GONZALEZCO.COM</p>	<p>TYPICAL LIFT STATION DETAILS TYPICAL AIR RELEASE</p>	<p>CITY OF O'FALLON 100 NORTH MAIN O'FALLON, MO. 63366</p>	<p>PREPARED BY: J.J.H. CHECKED BY: J.J.H. DATE: 06/04/2020 DETAIL NUMBER: L</p>	<p>PROJECT NO: 18-203-02 SHEET 10 OF 10</p>
			<p>gonzalez 1515 BENTLEY BLVD SUITE 200 SAINT LOUIS, MO 63104 PHONE: (314) 861-1888 WWW.GONZALEZCO.COM</p>	<p>TYPICAL TRENCH SECTION FOR PVC OR HDPE PIPE</p>



<p>gonzalez 1515 BENTLEY BLVD SUITE 200 SAINT LOUIS, MO 63104 PHONE: (314) 861-1888 WWW.GONZALEZCO.COM</p>	<p>TYPICAL TRENCH SECTION FOR PVC OR HDPE PIPE</p>	<p>CITY OF O'FALLON 100 NORTH MAIN O'FALLON, MO. 63366</p>	<p>PREPARED BY: J.J.H. CHECKED BY: J.J.H. DATE: 06/04/2020 DETAIL NUMBER: K</p>	<p>PROJECT NO: 18-203-02 SHEET 11 OF 10</p>
			<p>gonzalez 1515 BENTLEY BLVD SUITE 200 SAINT LOUIS, MO 63104 PHONE: (314) 861-1888 WWW.GONZALEZCO.COM</p>	<p>TYPICAL AIR RELEASE</p>



<p>gonzalez 1515 BENTLEY BLVD SUITE 200 SAINT LOUIS, MO 63104 PHONE: (314) 861-1888 WWW.GONZALEZCO.COM</p>	<p>TYPICAL AIR RELEASE</p>	<p>CITY OF O'FALLON 100 NORTH MAIN O'FALLON, MO. 63366</p>	<p>PREPARED BY: J.J.H. CHECKED BY: J.J.H. DATE: 06/04/2020 DETAIL NUMBER: L</p>	<p>PROJECT NO: 18-203-02 SHEET 12 OF 10</p>
--	----------------------------	--	---	---

H:\CAD\22450\22450\mp\Drawings\22450 - C49 Pump Station - Details.dgn - Master Model 3/7/2022 2:51:26 PM Plotted by: jenkins Plot Scale: 50.000000 1/8" = 1'-0" Plot Driver: volz15 PDF.plt/g Plot Title: volz15 PDF.plt