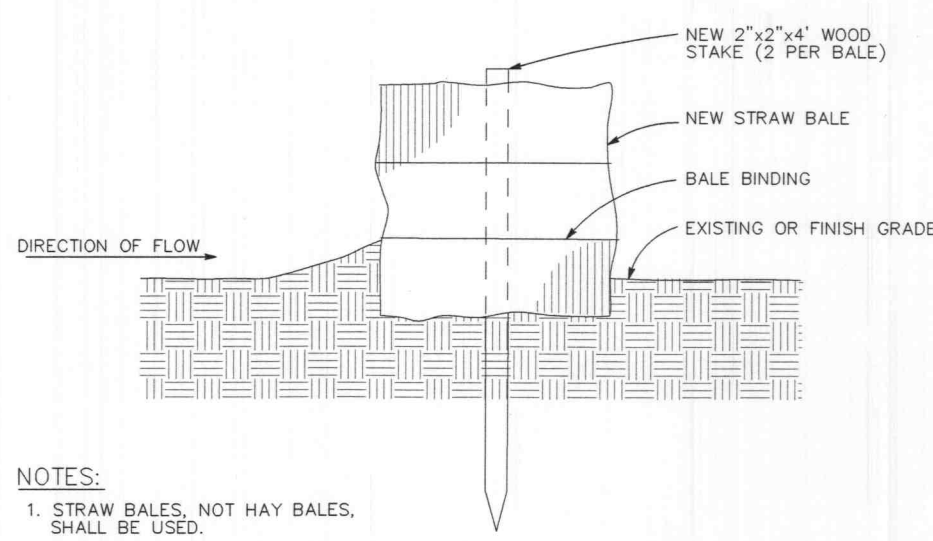
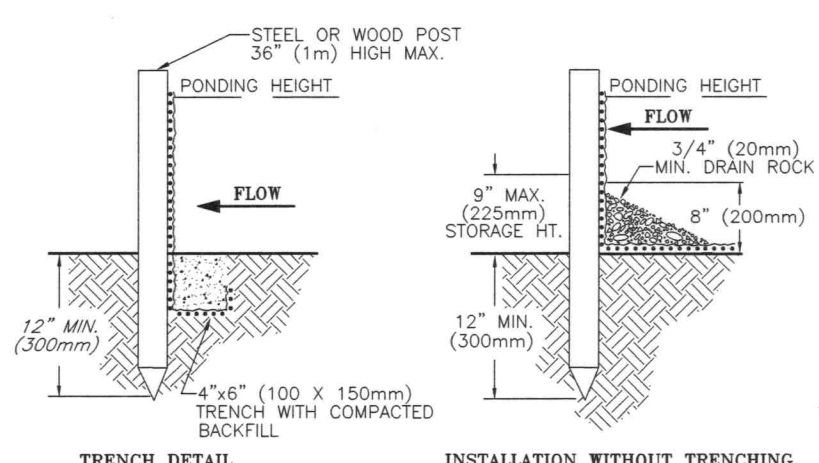
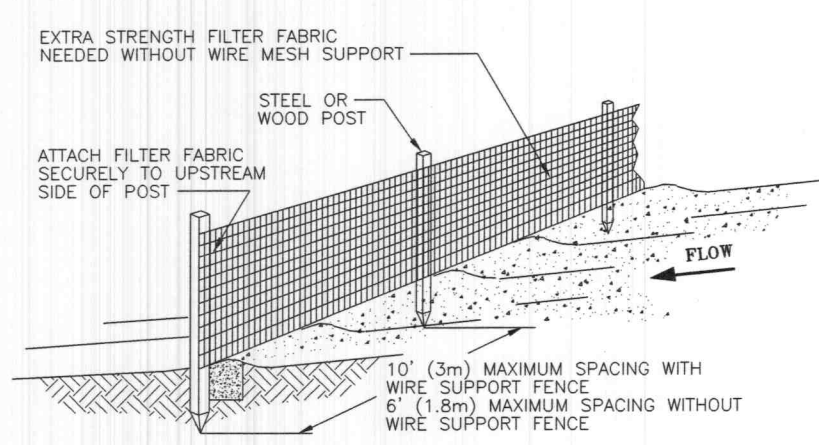
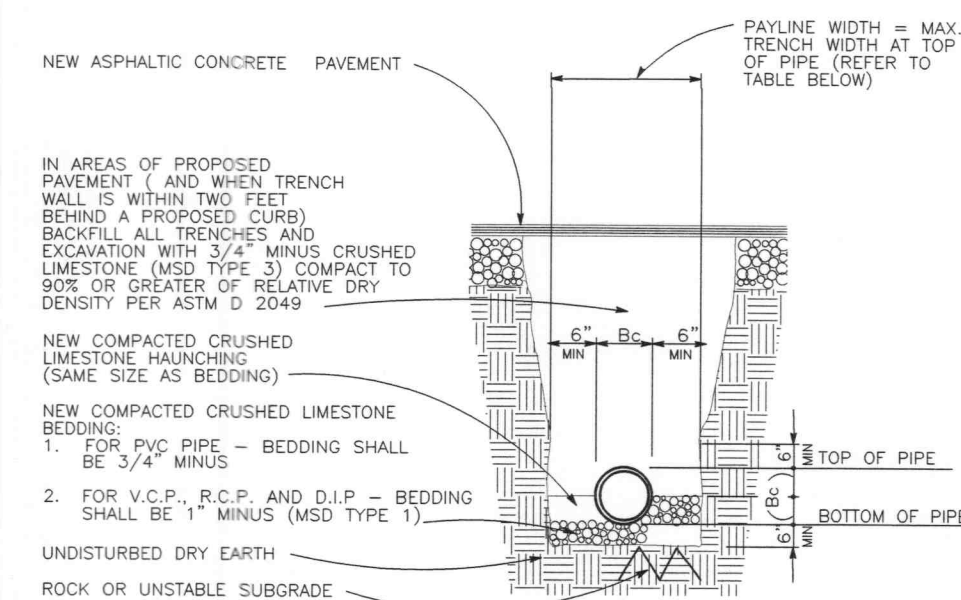


ISSUE:

#	Date	Description
1	5/30/05	PER CITY COMMENTS
2	8/30/05	CROSS ACCESS ESMT



- NOTES:
1. STRAW BALES, NOT HAY BALES, SHALL BE USED.
  2. BUTT ENDS OF BALES TIGHTLY TOGETHER
  3. INSTALL BALES WITH BINDING AROUND SIDES, NOT TOP AND BOTTOM.
  4. FILL ANY GAP BETWEEN BALES BY WEDGING LOOSE STRAW BETWEEN THEM.

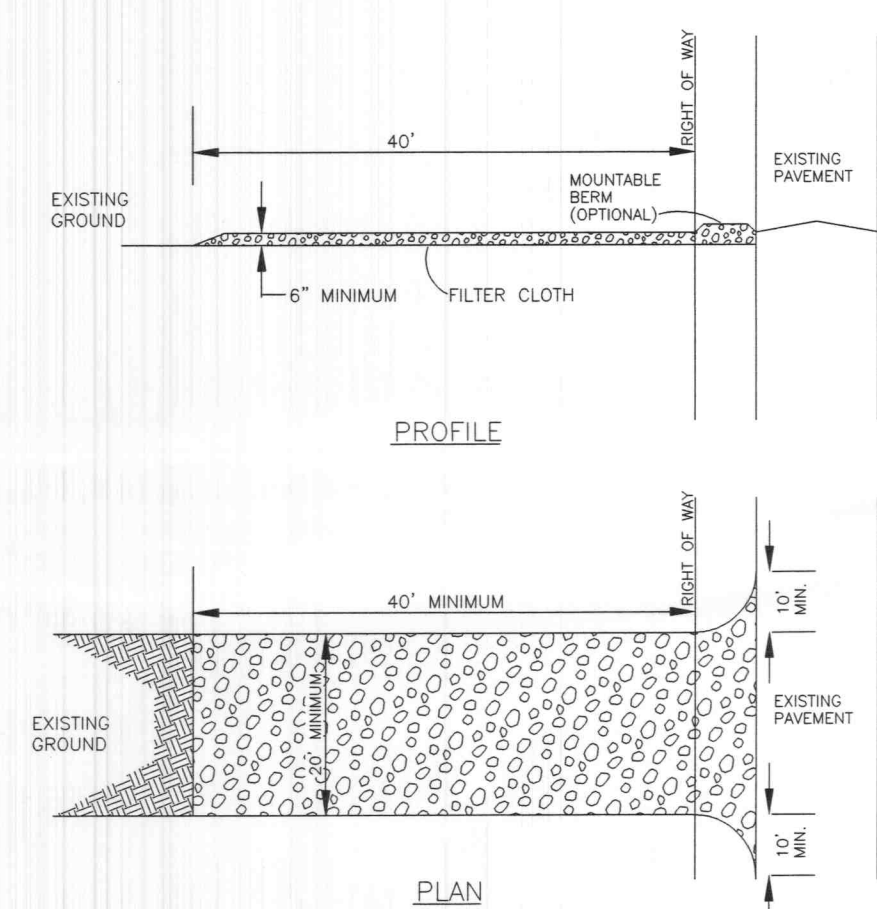


- NOTES:
1. TRENCHES BEHIND CURBS SHALL BE BACKFILLED WITH ROCK TO WITHIN 12" OF SURFACE. REMAINING TRENCH SHALL BE FILLED W/6" CLEAN TOPSOIL ON 6" CLEAN EARTH BACKFILL.
  2. BACKFILL IN TRENCHES WHICH ARE NOT IN AREAS OF (OR NOT WITHIN TWO FEET OF) PAVING SHALL CONSIST OF SELECTED JOB-EXCAVATED EARTH THOROUGHLY COMPACTED BY WATER JETTING OR WITH SUITABLE MECHANICAL TAMPERS.

INSIDE DIAMETER OF PIPE (INCHES)	PAYLINE WIDTH OF TRENCH (INCHES)	INSIDE DIAMETER OF PIPE (INCHES)	PAYLINE WIDTH OF TRENCH (INCHES)
4.625	28		
15	32		
18	36		
21	39		
24	42		

**1 Sediment Barrier Detail**  
Scale: Not To Scale

**3 Typical Trench Detail**  
Scale: Not To Scale



**CONSTRUCTION SPECIFICATIONS**

STONE SIZE - USE 2" STONE, OR RECLAIMED OR RECYCLED CONCRETE EQUIVALENT.

LENGTH - AS REQUIRED, BUT NOT LESS THAN 50 FEET (EXCEPT ON A SINGLE RESIDENCE LOT WHERE A 30 FOOT MINIMUM LENGTH WOULD APPLY).

THICKNESS - NOT LESS THAN SIX (6) INCHES.

WIDTH - TWENTY (20) FOOT MINIMUM, BUT NOT LESS THAN THE FULL WIDTH AT POINTS WHERE INGRESS OR EGRESS OCCURS.

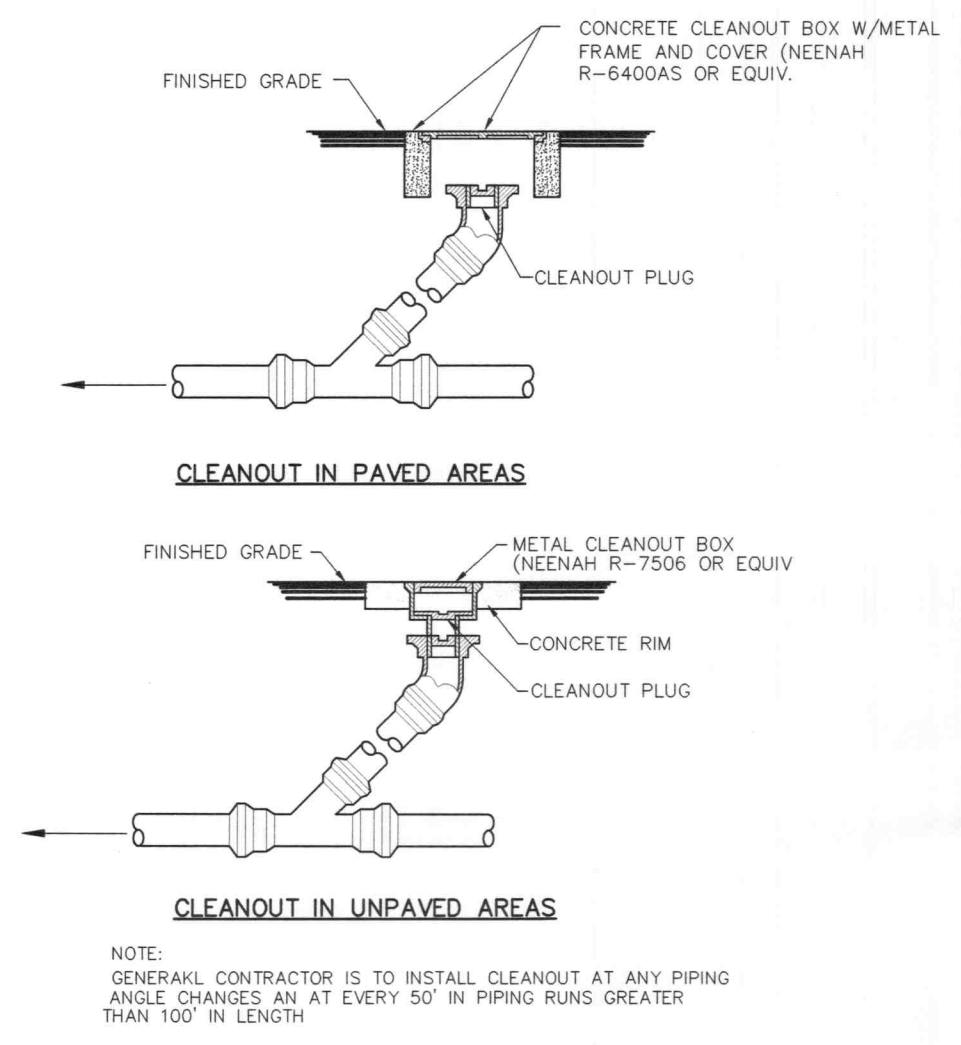
FILTER CLOTH - WILL BE PLACED OVER THE ENTIRE AREA PRIOR TO THE PLACING OF STONE. FILTER WILL NOT BE REQUIRED ON A SINGLE FAMILY RESIDENCE LOT.

SURFACE WATER - ALL SURFACE WATER FLOWING OR DIVERTED TOWARD CONSTRUCTION ENTRANCES SHALL BE PIPED ACROSS THE ENTRANCE. IF PIPING IS IMPRACTICAL, A MOUNTABLE BERM WITH 5:1 SLOPES WILL BE PERMITTED.

MAINTENANCE - THE ENTRANCE SHALL BE MAINTAINED IN A CONDITION WHICH WILL PREVENT TRACKING OR FLOWING OF SEDIMENT ONTO PUBLIC RIGHTS OF WAY. THIS MAY REQUIRE PERIODIC TOP DRESSING WITH ADDITIONAL STONE AS CONDITIONS DEMAND AND REPAIR AND/OR CLEANOUT OF ANY MEASURES USED TO TRAP SEDIMENT. ALL SEDIMENT SPILLED, DROPPED, WASHED, OR TRACKED ONTO PUBLIC RIGHTS OF WAY MUST BE REMOVED IMMEDIATELY.

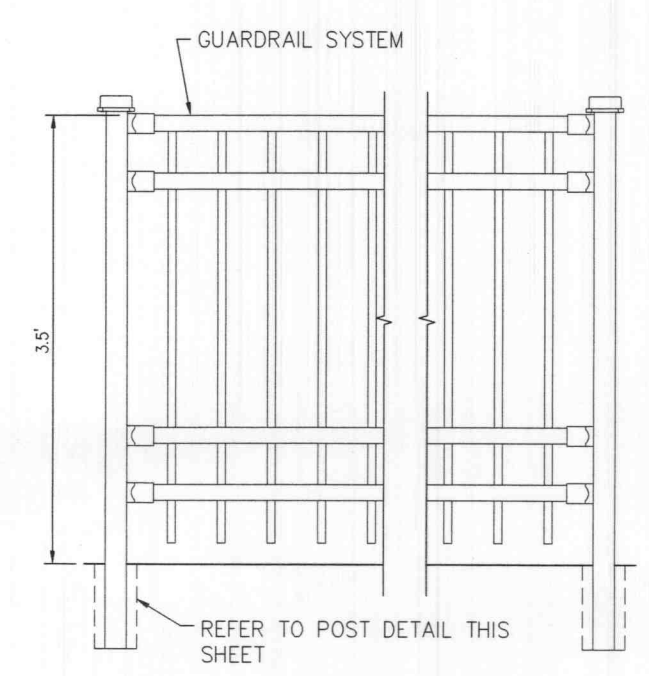
WASHING - WHEELS SHALL BE CLEANED TO REMOVE SEDIMENT PRIOR TO ENTRANCE ONTO PUBLIC RIGHTS OF WAY. WHEN WASHING IS REQUIRED, IT SHALL BE DONE ON AN AREA STABILIZED WITH STONE AND WHICH DRAINS INTO A SEDIMENT TRAPPING DEVICE.

PERIODIC INSPECTION AND NEEDED MAINTENANCE SHALL BE PROVIDED AFTER EACH RAIN.



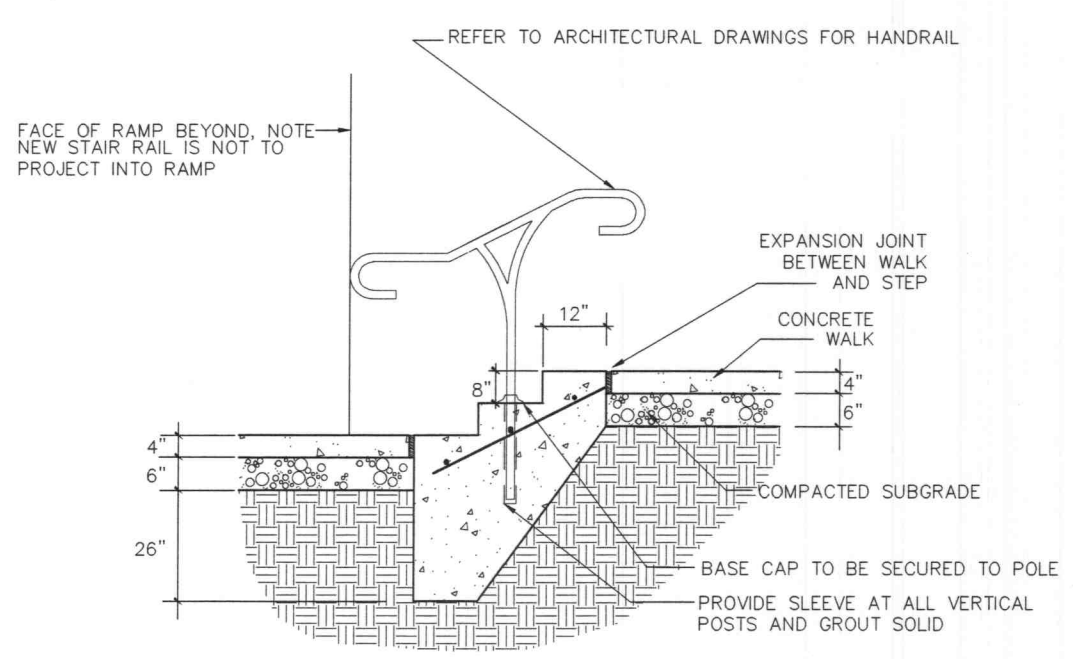
NOTE: GENERAL CONTRACTOR IS TO INSTALL CLEANOUT AT ANY PIPING ANGLE CHANGES AN AT EVERY 50' IN PIPING RUNS GREATER THAN 100' IN LENGTH

**4 Cleanout Detail**  
Scale: Not To Scale



NEW FENCE SHALL BE HUNTER GREEN COMMERCIAL STRATFORD AS MANUFACTURED BY DELGARD

**6 Handrail Detail**  
Scale: Not To Scale



**5 Stair Detail**  
Scale: Not To Scale

**3 Wash Down Area Detail**  
Scale: Not To Scale



PROJECT:  
**JBUCK'S RESTAURANT**  
**LOT 2 PERSIMMON POINTE**

1165 TECHNOLOGY DR  
OFALLON, MO

Date: 06/28/05  
Design/Drawn: JPB  
Approved: JTB  
Book No.:

SHEET TITLE:  
**SITE DETAILS**

SHEET NUMBER:  
**C-5**  
SHEET 6 OF 9

Project No.: 29916320