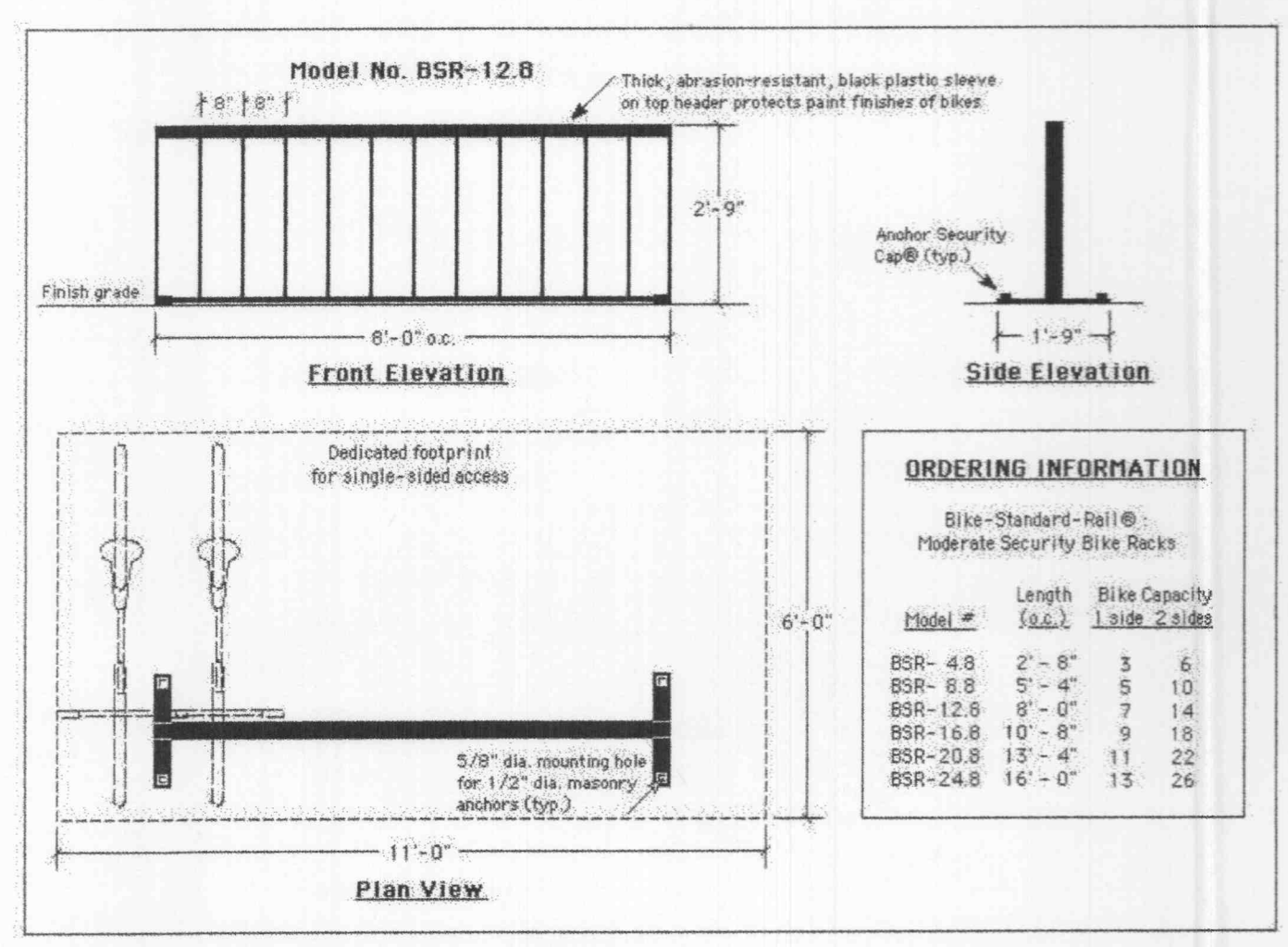


ROUND PIPE			
Inside Diameter of Pipe (Inches)	"W" Payline Width of Trench (Inches)	"W" Payline Width of Trench (Feet)	Pay-volumes cu. ft. per ft. Concrete Encasement
4	28	2.33	3.20
6	28	2.33	3.46
8	28	2.33	3.70
10	28	2.33	3.86
12	28	2.33	3.98
15	32	2.67	4.89

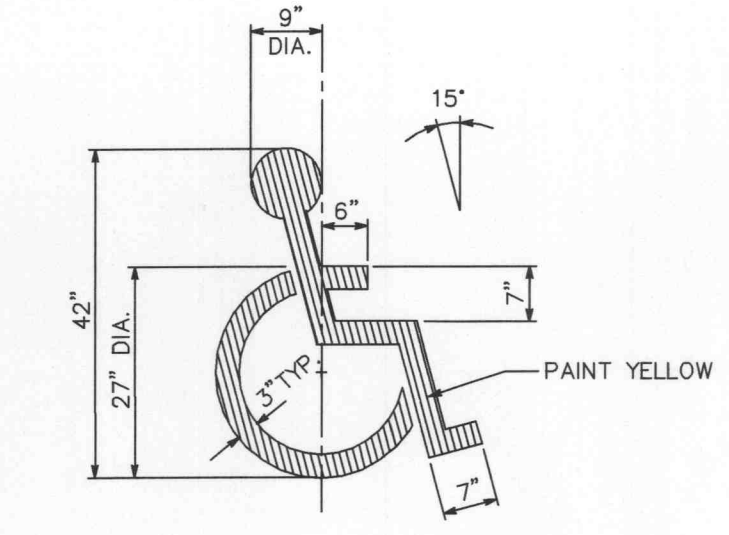
**TABLE NO. 1
 PAYLINE WIDTHS OF TRENCH AND
 PAY-QUANTITIES OF CONCRETE**



ORDERING INFORMATION

Bika-Standard-Rail® Moderate Security Bike Racks

Model #	Length (ft.)	Bike Capacity (2 sides)
BSR-4.8	2'-8"	3
BSR-6.8	5'-4"	10
BSR-12.8	8'-0"	14
BSR-16.8	10'-8"	18
BSR-20.8	13'-4"	22
BSR-24.8	16'-0"	26

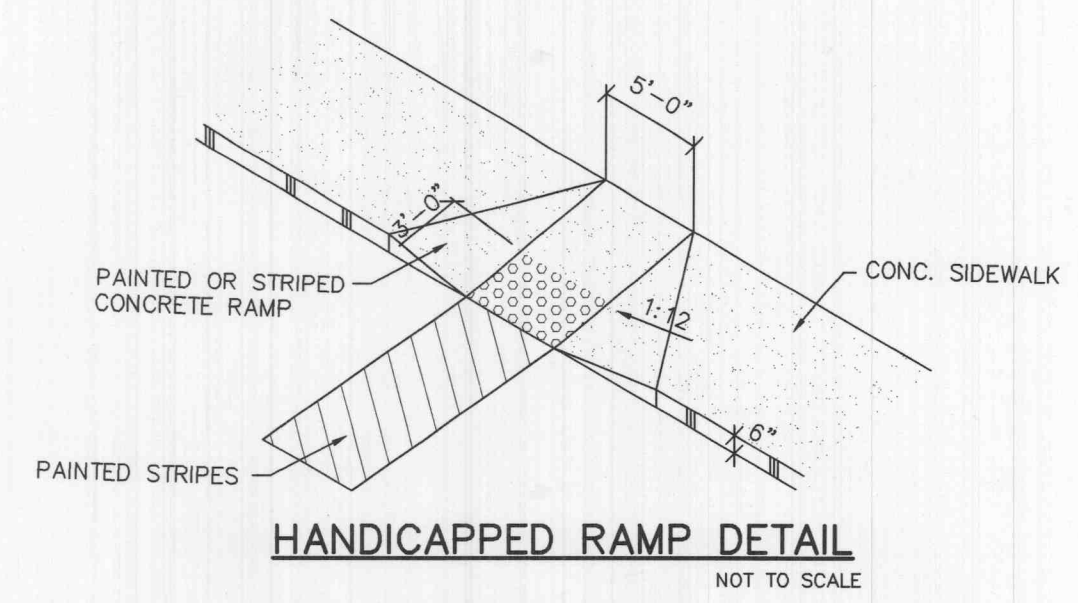


**PAINTED HANDICAPPED
 PARKING SYMBOL**
 NOT TO SCALE

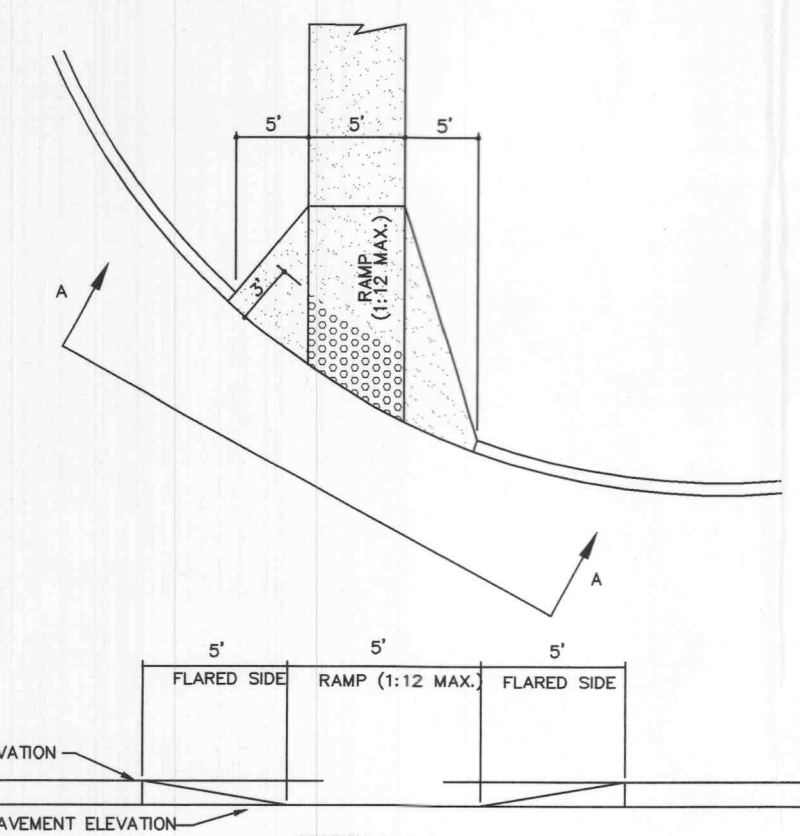


STANDARD SIGN FACE, STANDARD HIGHWAY DEPARTMENT, OR CITY STREET DEPARTMENT GAUGE, LETTERS AND BORDERS ARE GREEN, THE HANDICAP LOGO SQUARE IS BLUE AND THE BACKGROUND IS WHITE, GALVANIZED U CHANNEL POST 8'-0" LONG, SET 3'-0" INTO GRADE, SET BOTTOM OF SIGN 5'-0" ABOVE FINISHED GRADE.

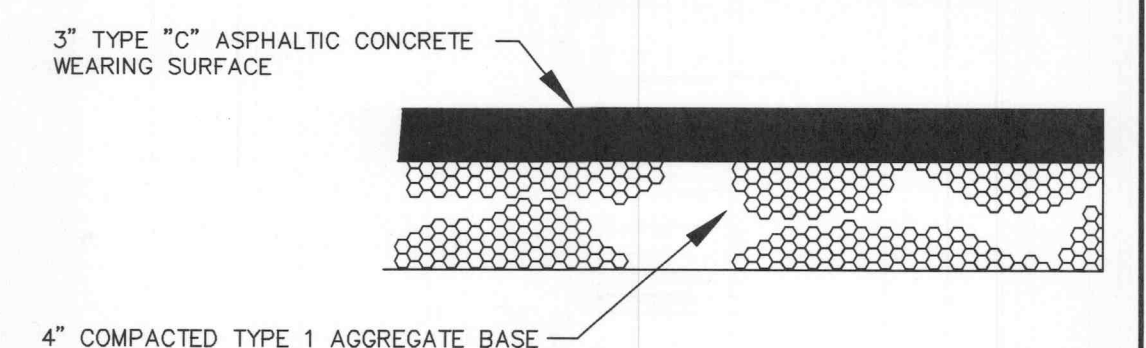
**VAN ACCESSIBLE
 HANDICAP PARKING SIGN**



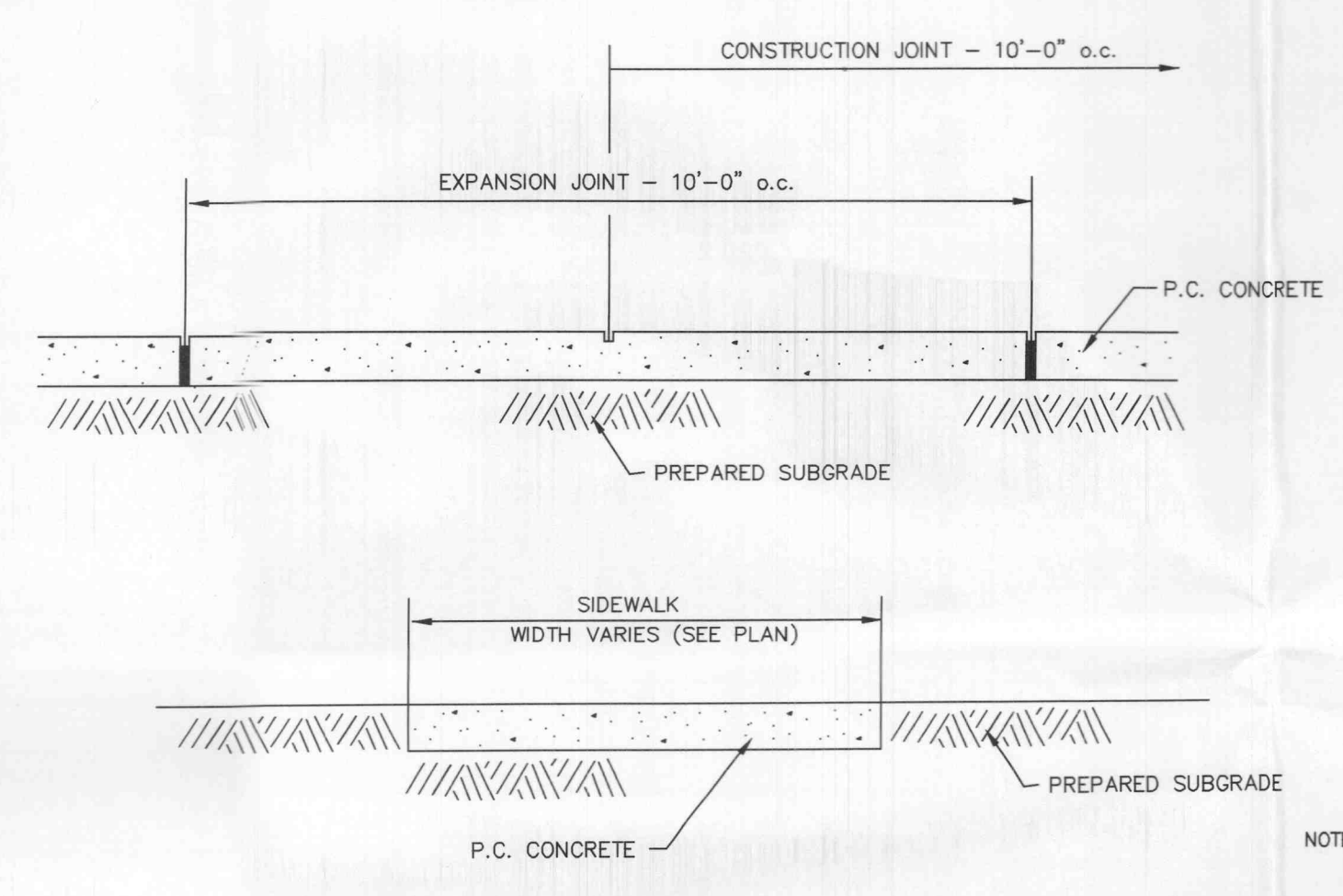
HANDICAPPED RAMP DETAIL
 NOT TO SCALE



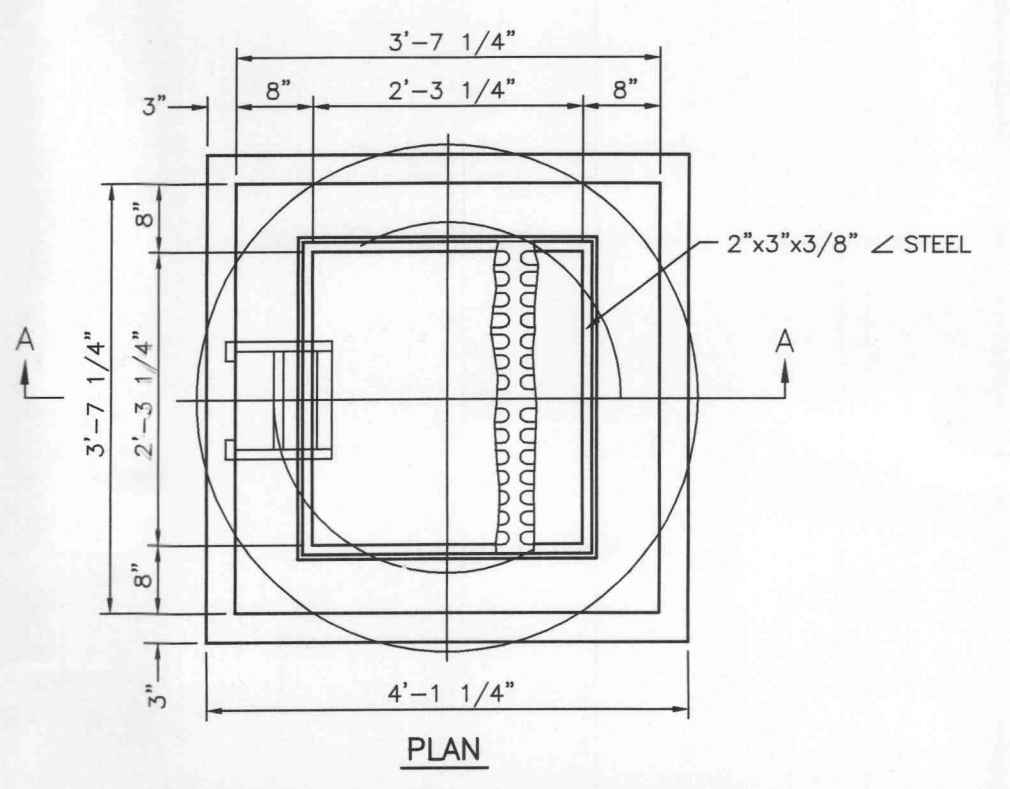
HANDICAPPED RAMP DETAIL
 NOT TO SCALE



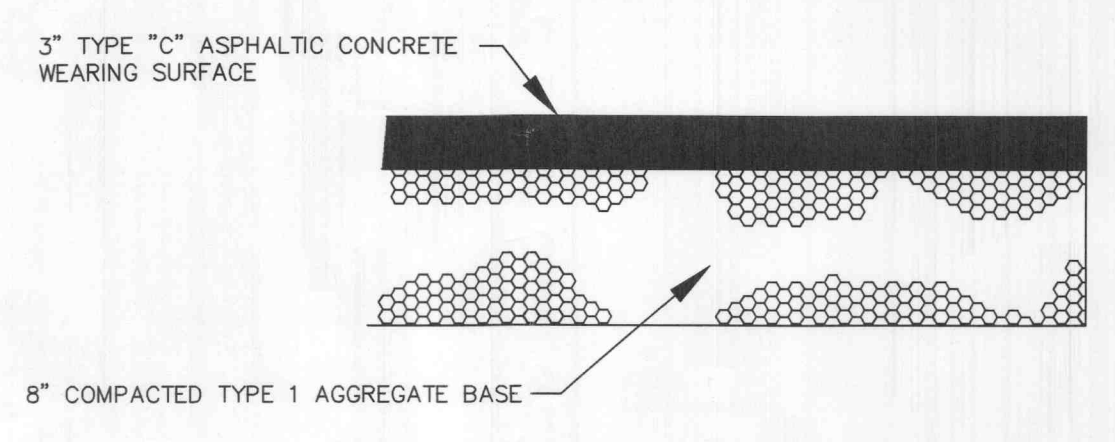
MULTI-USE TRAIL PAVEMENT DETAIL
 NOT TO SCALE



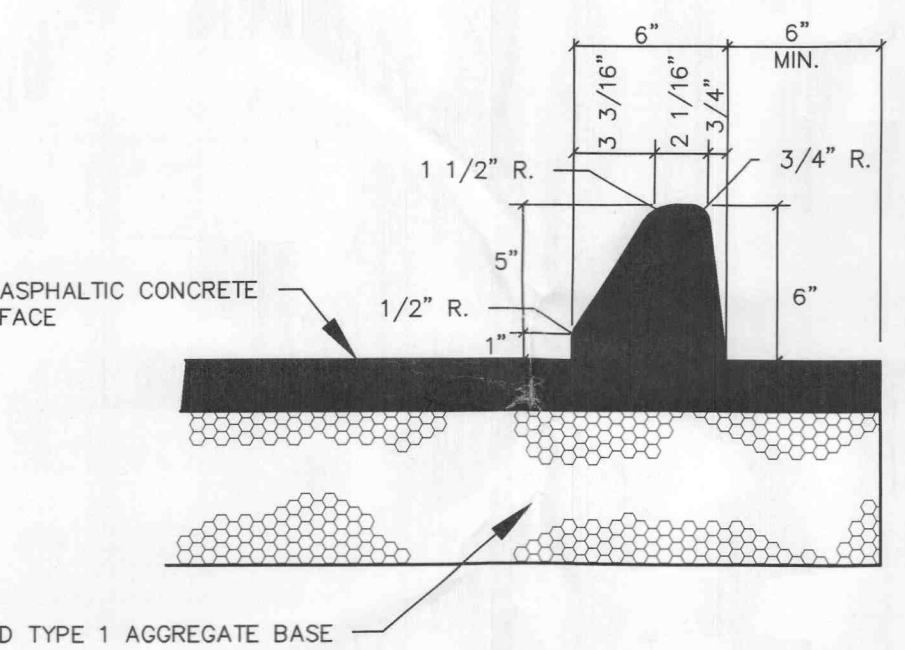
CONCRETE SIDEWALK DETAIL
 NOT TO SCALE



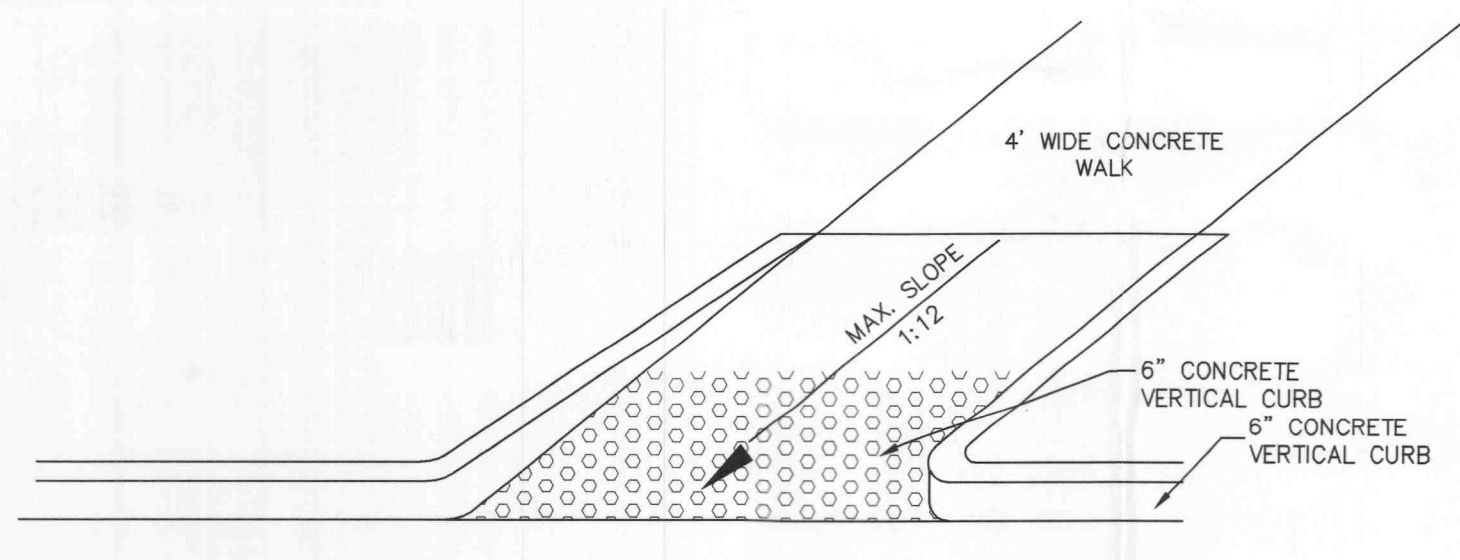
2 GRATE INLET



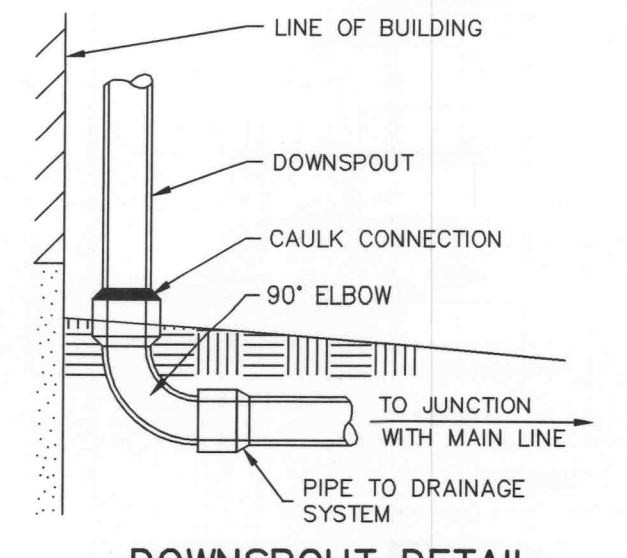
ASPHALT PAVEMENT DETAIL
 NOT TO SCALE



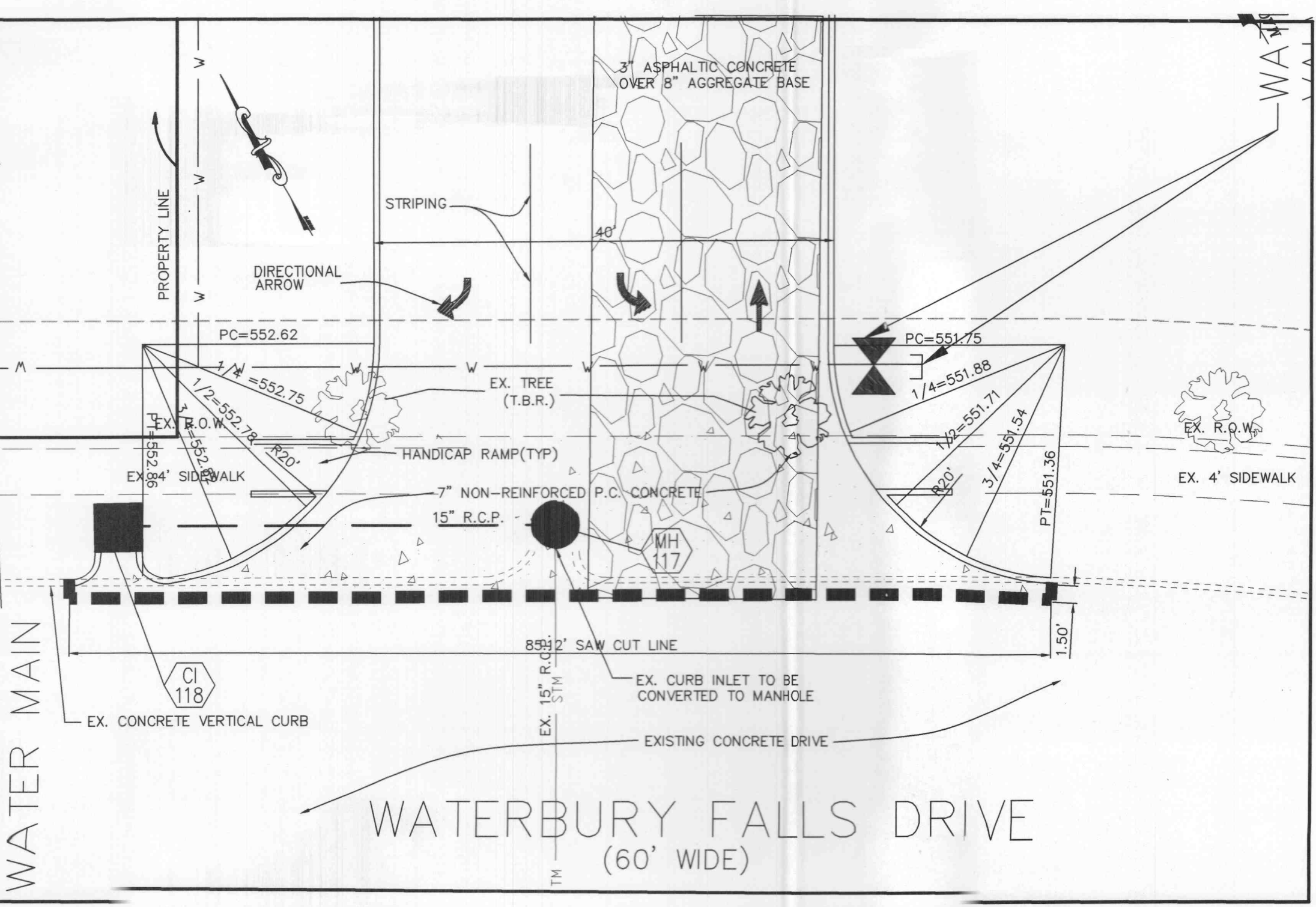
ASPHALT CURB & PAVEMENT DETAIL
 NOT TO SCALE



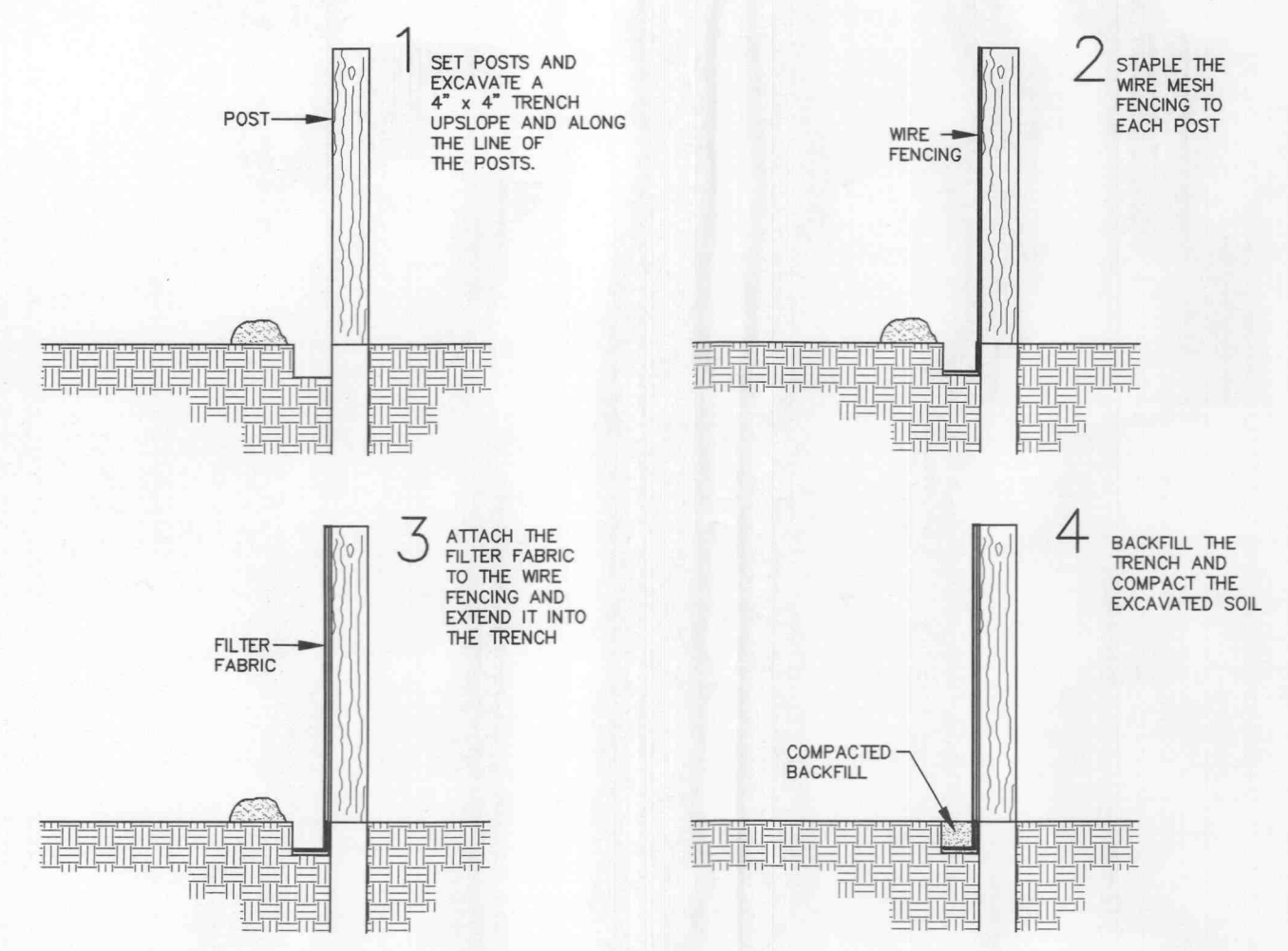
HANDICAPPED RAMP DETAIL
 NOT TO SCALE



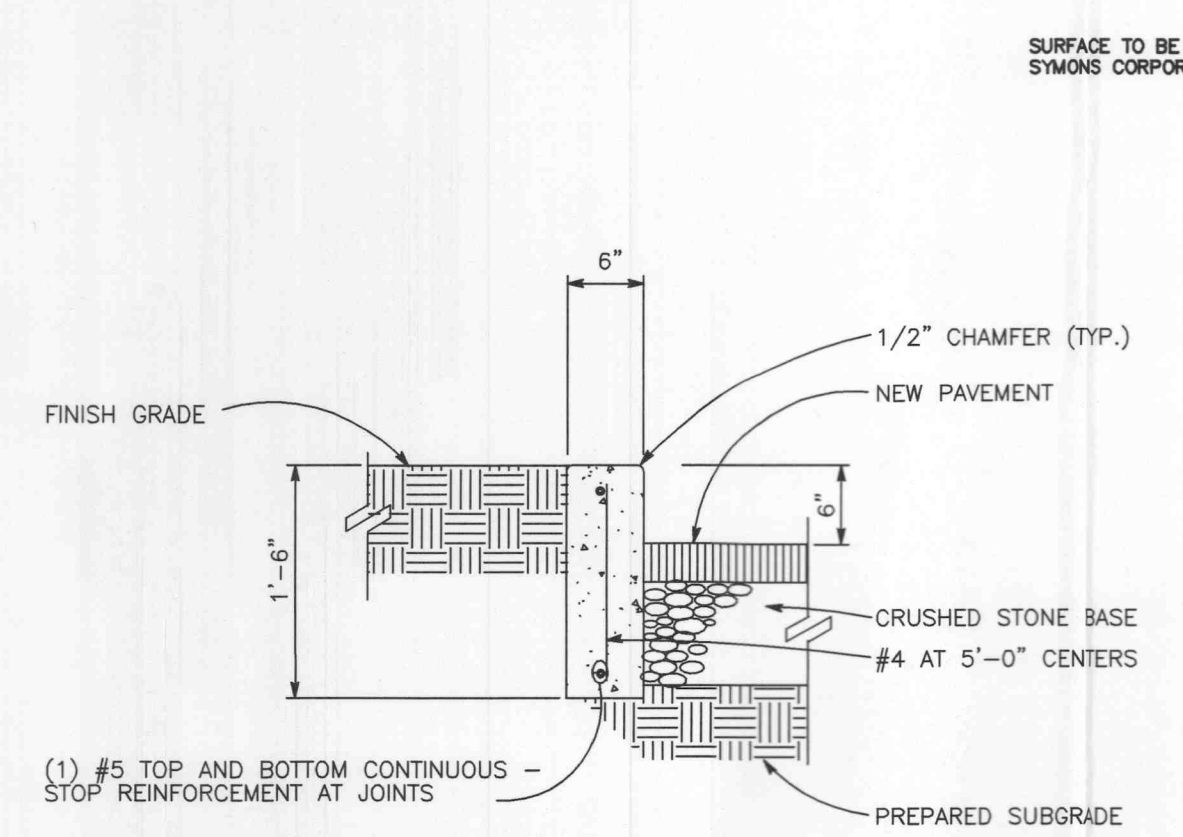
DOWNSPOUT DETAIL
 NOT TO SCALE



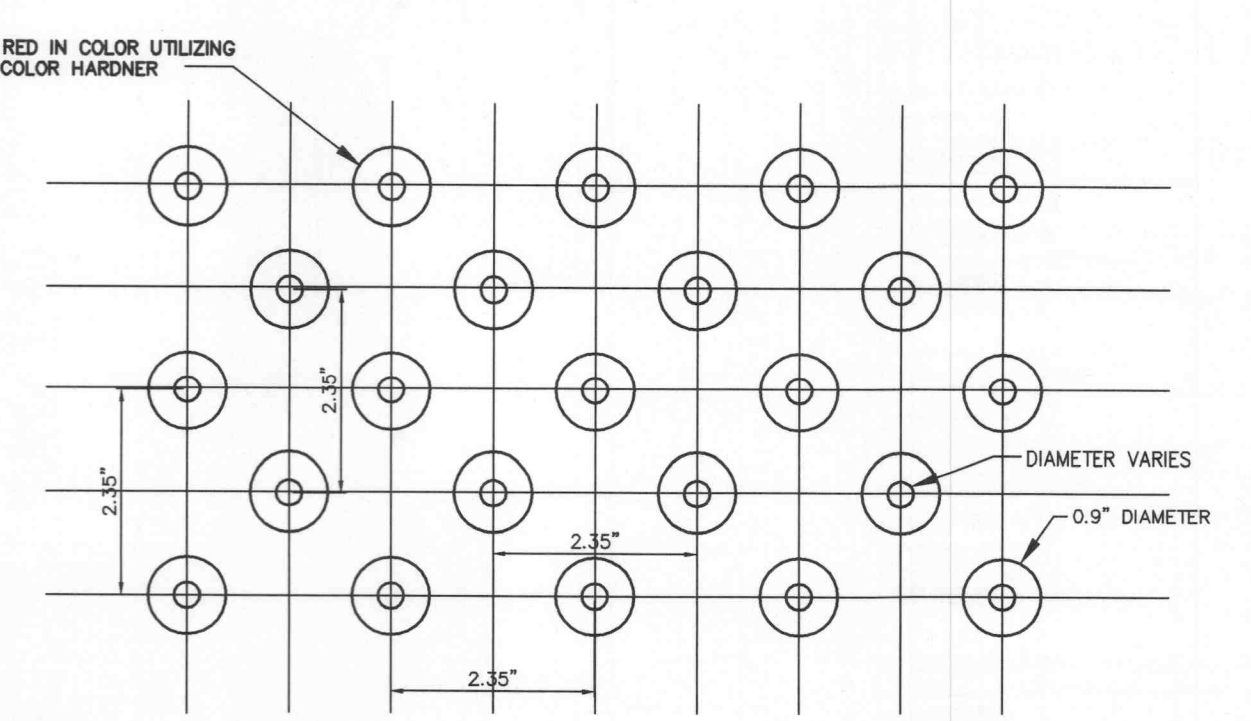
ENTRANCE DEATAIL
 1"=10'



SILTATION FENCE DETAIL



CONCRETE CURB DETAIL
 NOT TO SCALE



DETECTABLE WARNING PATTERN
 NOT TO SCALE

NOTE:
 HANDICAP RAMPS SHALL BE BRICK RED IN COLOR UTILIZING "SYMONS CORPORATION COLOR HARDNER." SURFACE OF RAMP SHALL BE PATTERNED USING "SYMONS CONCRETE STAMPING TOOLS" TO PROVIDE THE DETECTABLE WARNING SURFACE PATTERN AS DEPICTED IN THE DETECTABLE WARNING SURFACE DETAIL. CONTRACTOR SHALL FOLLOW THE RECOMMENDED PROCEDURES AND SPECIFICATIONS OF SYMONS CORPORATION FOR COLOR HARDNER AND CONCRETE SURFACE STAMPING.