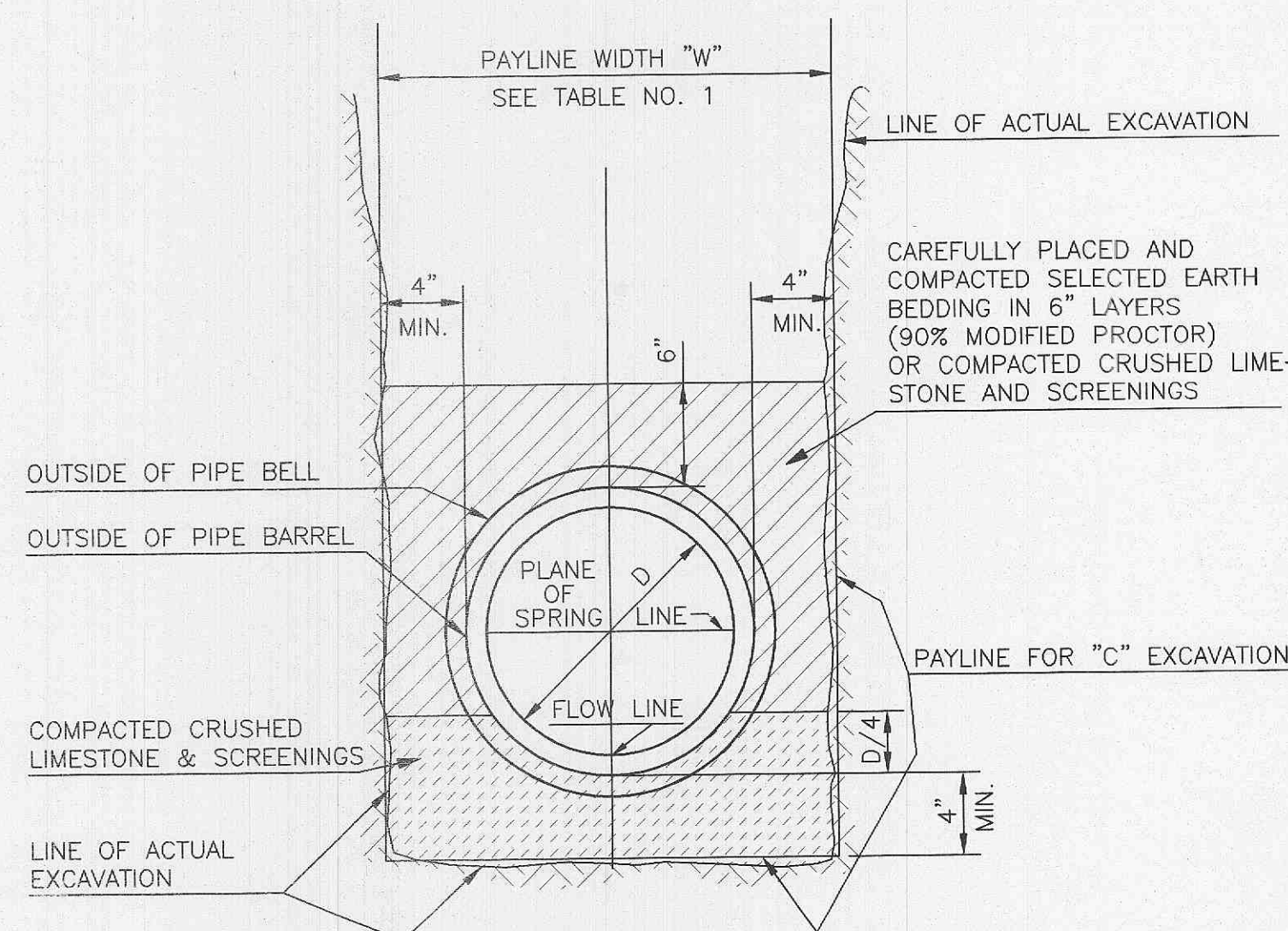
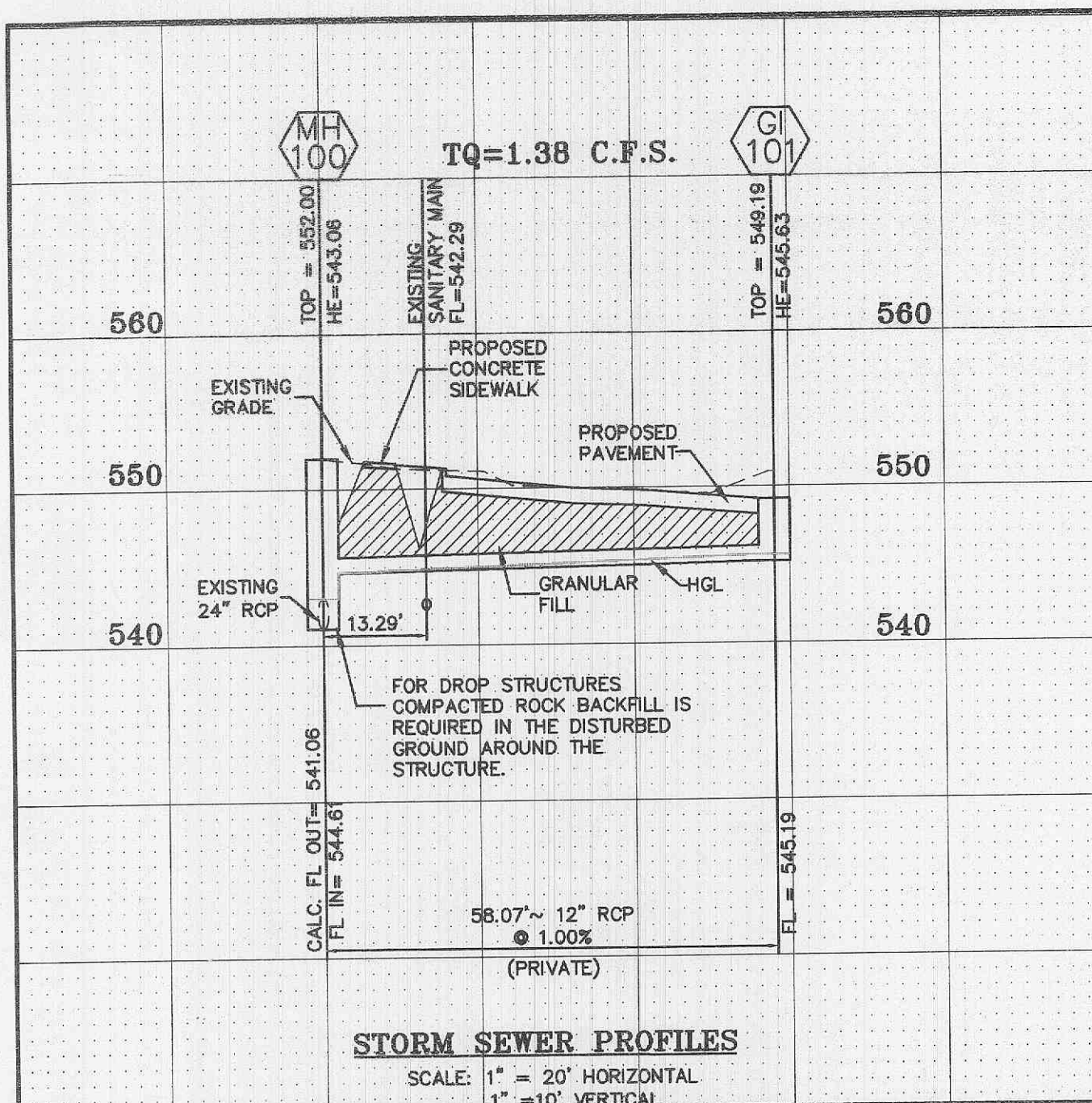


BAX PROJECT NAME : JIFFY LUBE
BAX PROJECT NO. : 98-10314G
DESIGN DATE : 6-16-05
DESIGNED BY : ALJ
15 YEAR DESIGN STORM

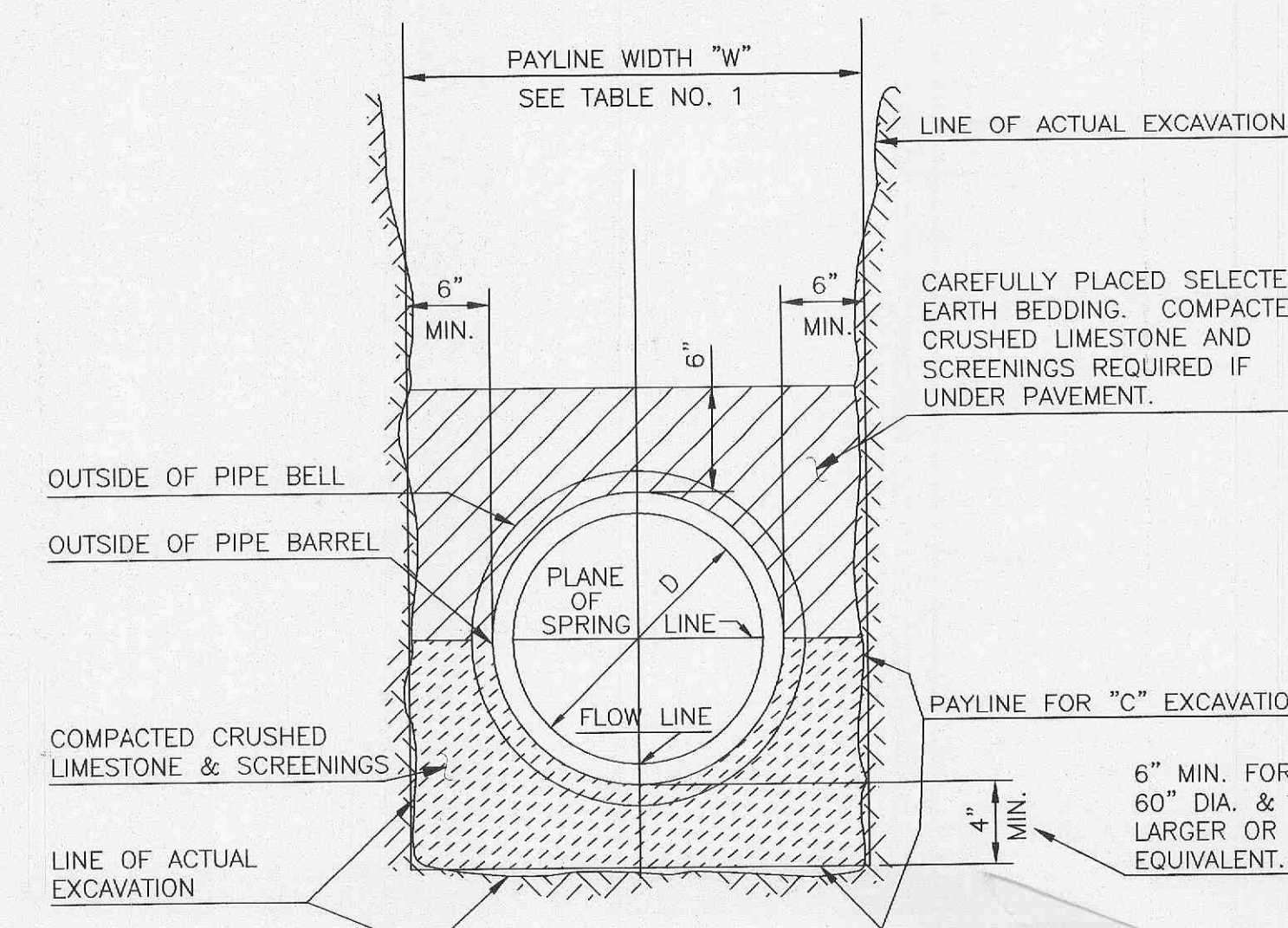
FILENAME: 10314G-2

UPP STR	LOW STR	L	DIA	UPPER FL LN	LOWER FL LN	PS	UPPER ST EL	DEPTH HY GR	UPPER HY EL	LOWER HY EL	HYDR GRADE	FR HEAD	VEL	VEL HEAD	JUNC LOSS	TURN LOSS	CURVE LOSS	STR GRADE	INL CAP	DR AREA	PI	Q	TQ	PIPE CAP	REMARKS	
EX GI	EX AI	50	15	540.38	539.75	1.27	547.41	6.44	540.97*	540.38	.00260	0.13	2.70	0.11	0.11	0.00	0.00	0.00	0.00	0.00	0.00	0.00	3.31	7.27	1	HW-540.38
EX GI	EX MH	82	15	544.84	543.76	1.31	548.14	2.92	545.22*	543.31	.00060	0.05	1.25	0.02	0.02	0.00	0.00	0.00	0.00	0.00	0.00	0.00	1.54	7.39	2	HW-543.31
GI	101 MH	100	58	545.19	544.61	1.00	549.19	3.56	545.63*	543.06	.00150	0.09	1.76	0.05	0.05	0.00	0.00	0.00	0.00	0.00	0.00	0.00	1.38	3.56	3	HW-543.06

* INDICATES CRITICAL DEPTH



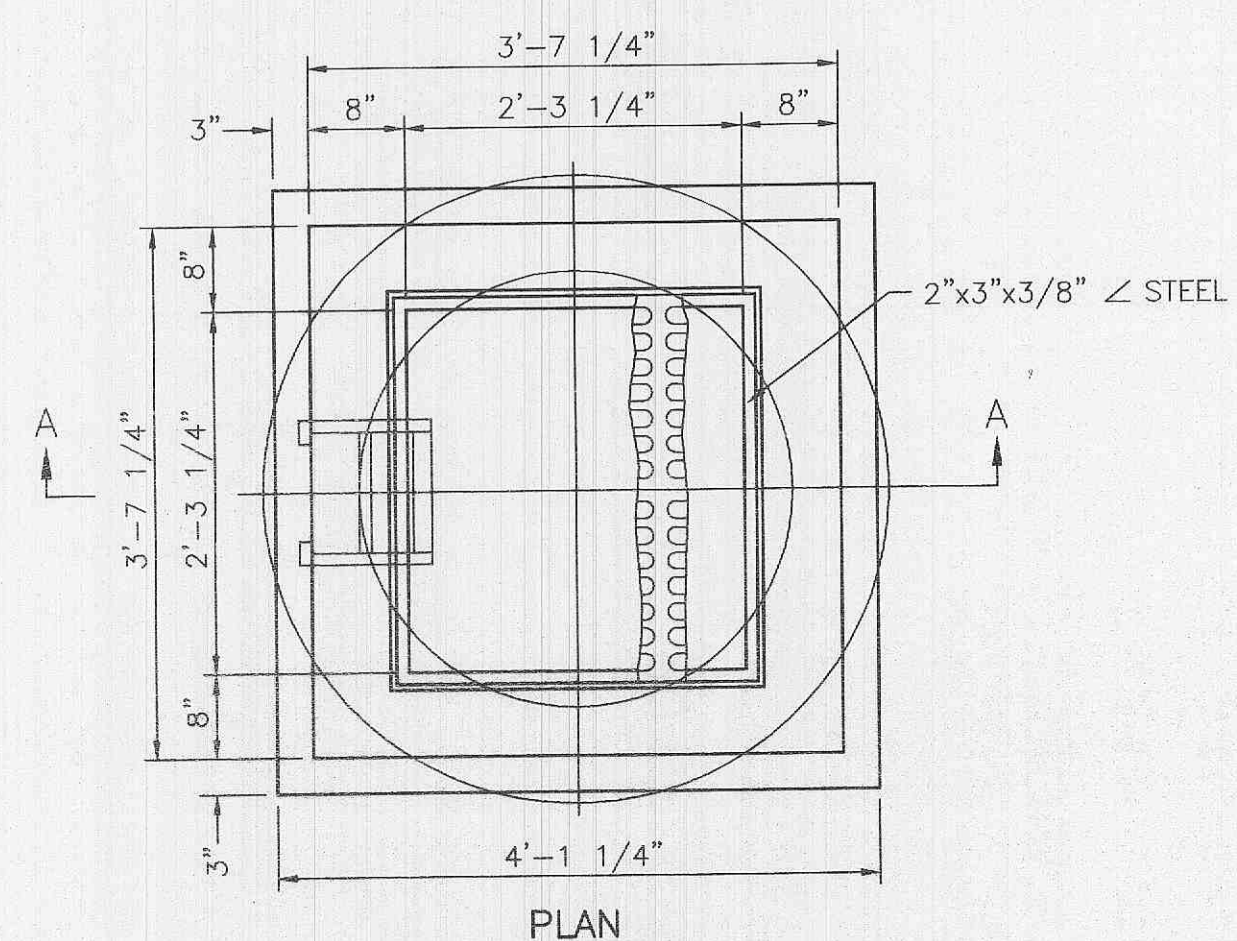
PIPE BEDDING CLASS "C"
(FOR ALL PIPE EXCEPT REINFORCED CONCRETE PIPE)



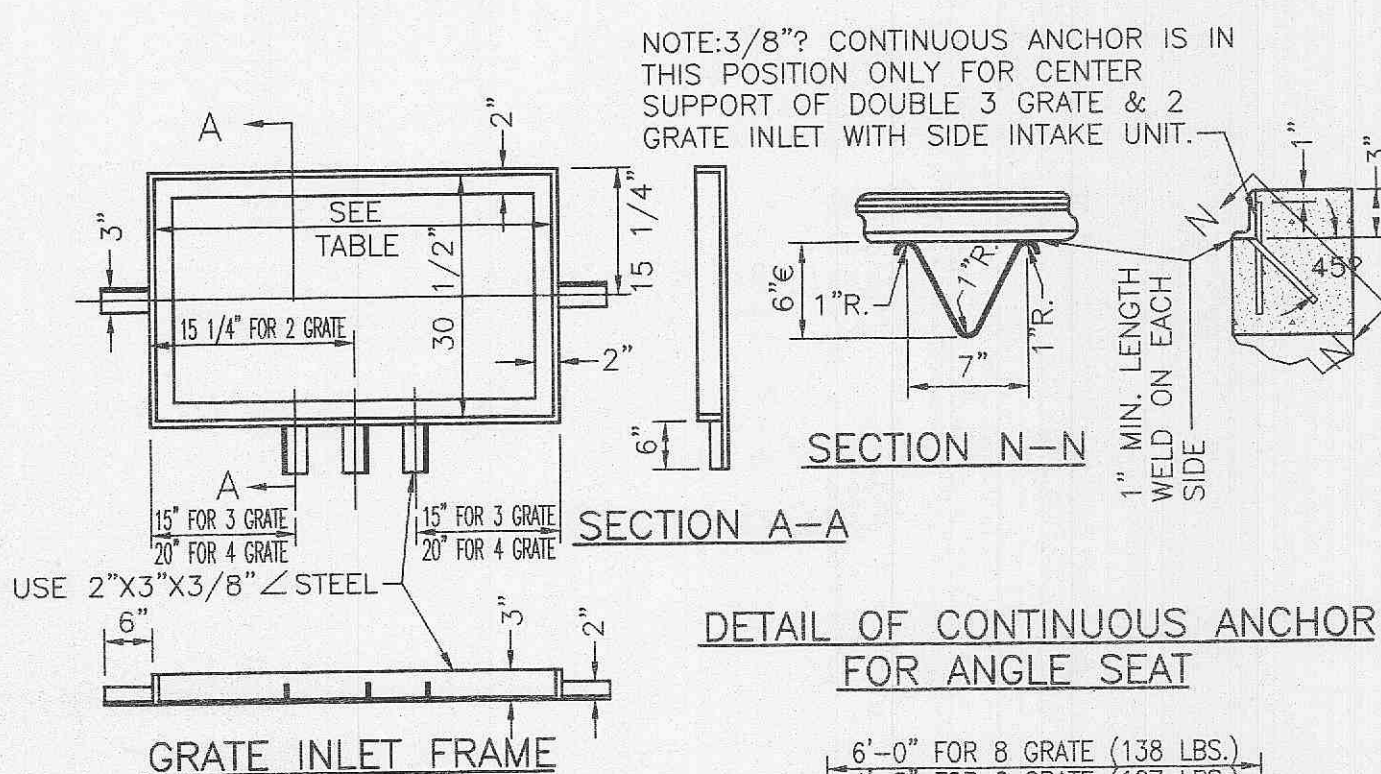
PIPE BEDDING CLASS "C"
(MODIFIED FOR REINFORCED CONCRETE PIPE)

ROUND PIPE				HORIZONTAL ELLIPTICAL PIPE			
Inside Diameter of Pipe (Inches)	"W" Payline Width of Trench (Inches)	"W" Payline Width of Trench (Feet)	Pay-volumes cu. ft. per ft. Concrete Encasement	Inside Diameter of Pipe (Inches)	"W" Payline Width of Trench (Inches)	"W" Payline Width of Trench (Feet)	Pay-volumes cu. ft. per ft. Concrete Encasement
4	28	2.33	3.20				
6	28	2.33	3.46				
8	28	2.33	3.70				
10	28	2.33	3.86				
12	28	2.33	3.98				
15	32	2.67	4.89				
18	35	2.92	5.63	14 X 23	41	3.42	5.94
21	39	3.25	6.61				
24	42	3.50	7.39	19 X 30	49	4.08	7.68
27	45	3.75	8.18	22 X 34	53	4.42	8.61
30	49	4.08	9.30	24 X 38	58	4.83	9.70
33	53	4.42	10.53	27 X 42	62	5.17	10.71
36	56	4.67	11.43	29 X 45	66	5.50	11.72
39	DISCONTINUED			32 X 49	71	5.92	13.14
42	63	5.25	13.38	34 X 53	75	6.25	14.05
48	70	5.83	15.67	38 X 60	83	6.92	16.18
54	77	6.42	18.15	43 X 68	92	7.67	18.81
60	84	7.00	20.73	48 X 76	101	8.42	21.59
66	91	7.58	23.45	53 X 83	109	9.08	24.35
72	98	8.17	26.37	58 X 91	118	9.83	27.45
78	105	8.75	29.39	63 X 98	126	10.50	30.50
84	112	9.33	32.57	68 X 106	135	11.25	33.91
90	119	9.92	35.90	72 X 113	143	11.92	36.99
96	126	10.50	39.37	77 X 121	152	12.67	40.69
102	133	11.08	42.99	82 X 128	160	13.33	44.45
108	140	11.67	46.75	87 X 136	168	14.00	47.79
114	147	12.25	50.66	92 X 143	176	14.67	51.70
120	154	12.83	54.72	97 X 151	185	15.42	56.01
126	161	13.42	58.92				
132	168	14.00	63.27	106 X 166	202	16.83	64.48
144	182	15.17	72.40	116 X 180	218	18.17	73.59

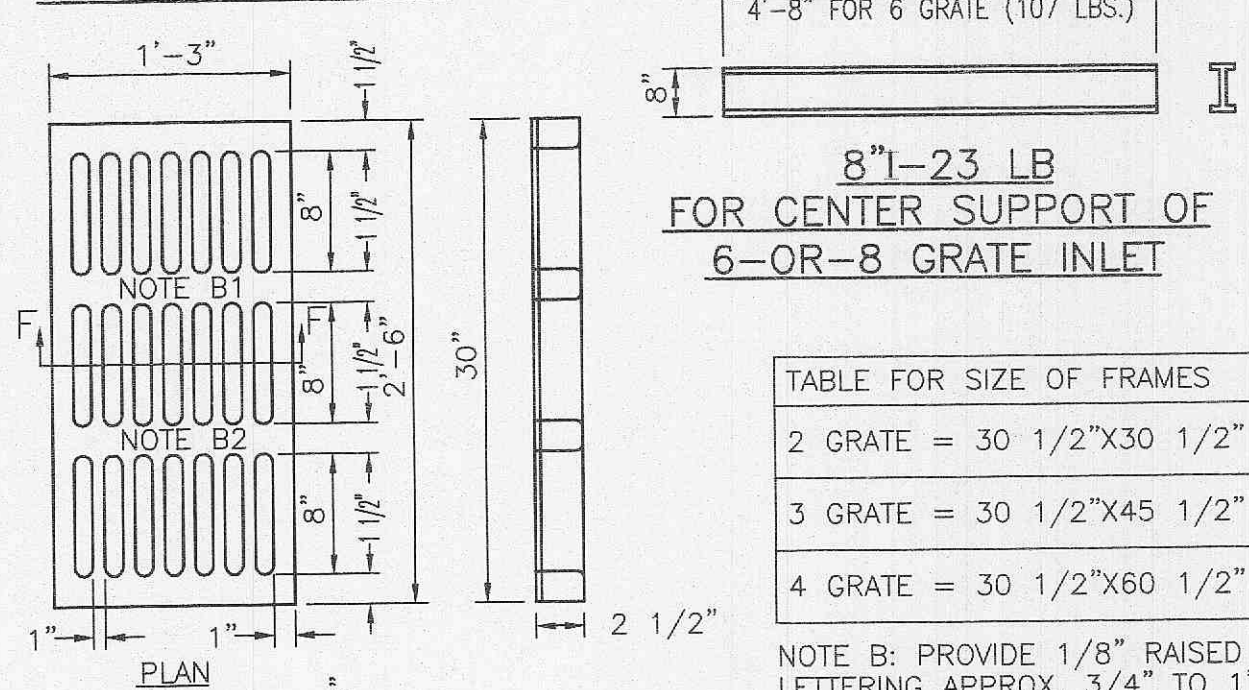
TABLE NO. 1
PAYLINE WIDTHS OF TRENCH AND PAY-QUANTITIES OF CONCRETE



2 GRATE INLET

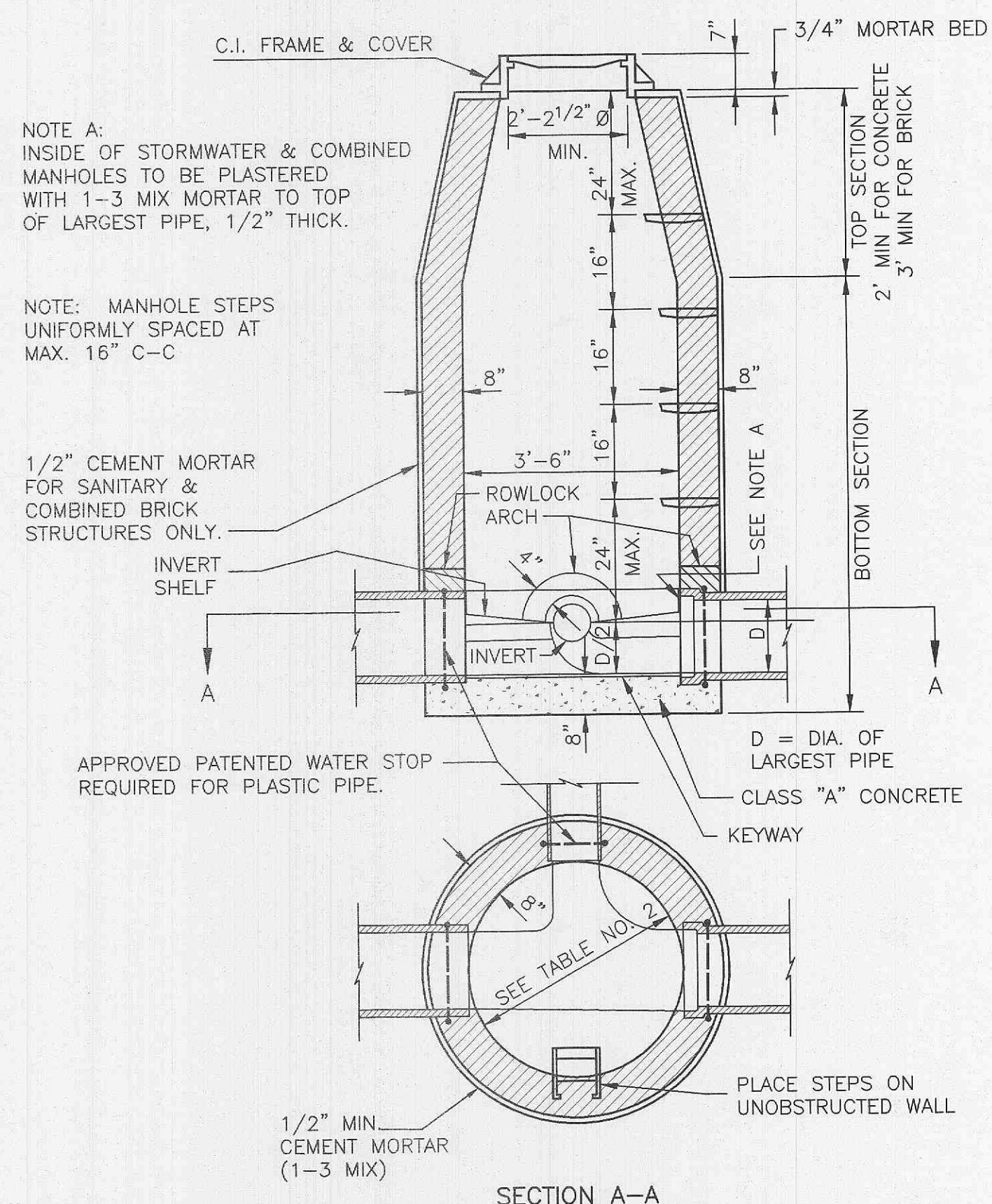


DETAIL OF CONTINUOUS ANCHOR FOR ANGLE SEAT



CAST IRON GRATE
(NF-41164 OR EQUAL)

DETAILS OF INLET FRAME AND GRATES



LINE MANHOLE PIPE SEWERS 8"-24" DIA.

NOTE: ALL PUBLIC MANHOLES SHALL HAVE A 31MIL WATERPROOFING.

NOTE: INLETS ON THIS SHEET ARE TO BE USED IN LOCATIONS WHERE STANDARD OPEN THROAT INLETS CAN NOT BE USED, IN PAVED TRAFFIC WAY, AND IN LIMITED EASEMENTS.