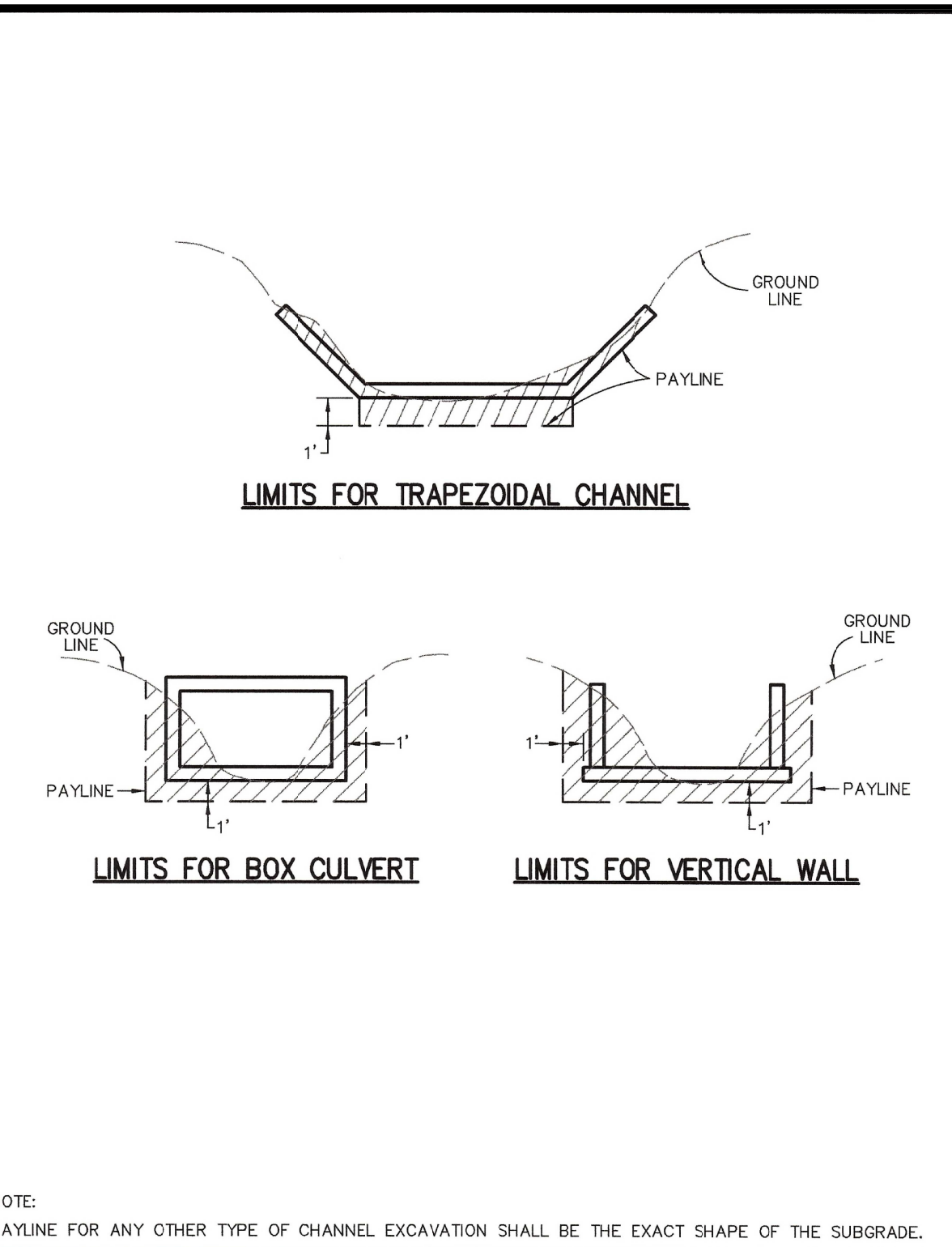
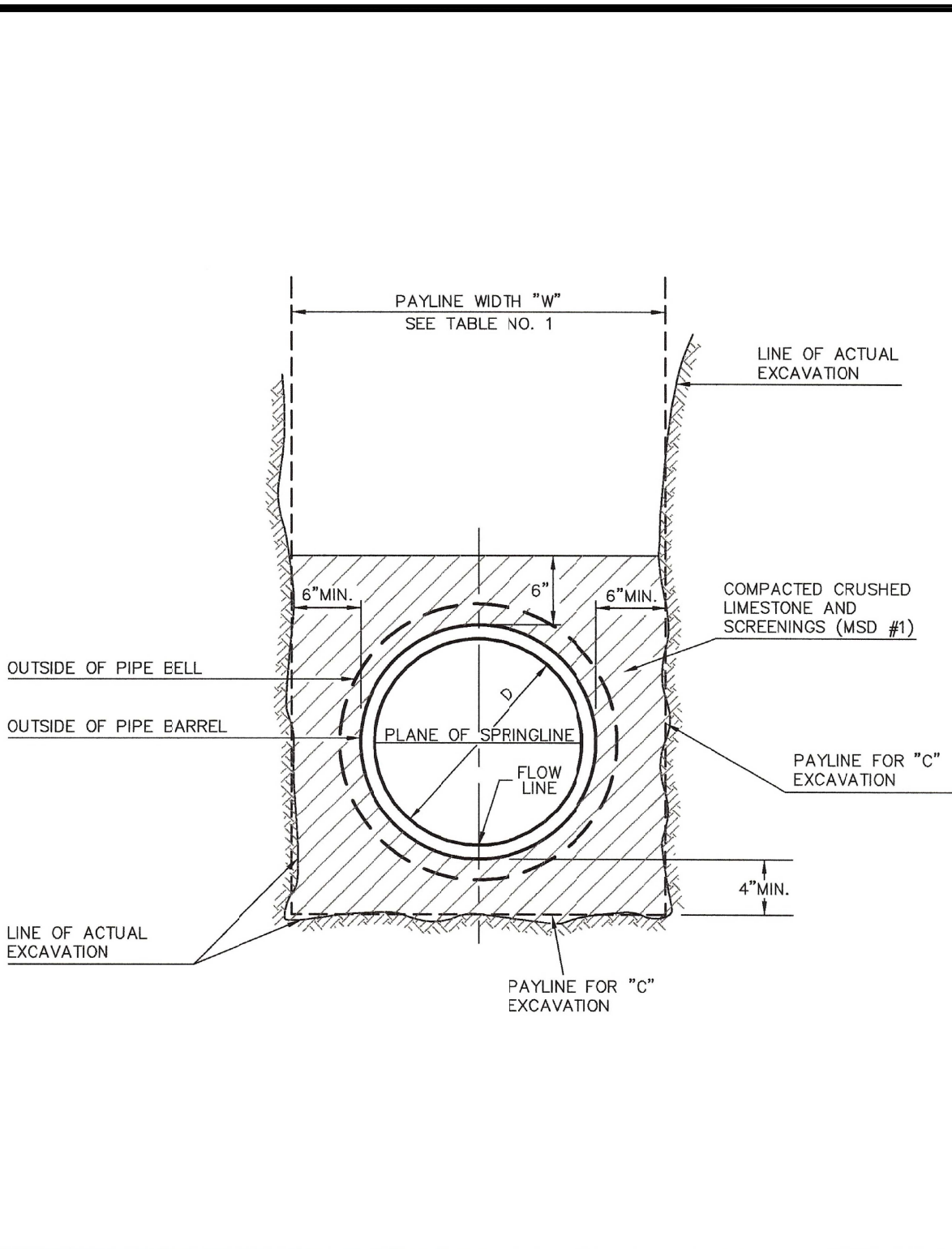


ROUND PIPE				HORIZONTAL ELLIPTICAL PIPE			
INSIDE DIAMETER OF PIPE (INCHES)	"W" PAYLINE WIDTH OF TRENCH (INCHES)	"W" PAYLINE WIDTH OF TRENCH (FEET)	PAY-VOLUMES CU. FT. PER FT. CONCRETE ENCASEMENT	INSIDE DIMENSIONS OF PIPE (INCHES)	"W" PAYLINE WIDTH OF TRENCH (INCHES)	"W" PAYLINE WIDTH OF TRENCH (FEET)	PAY-VOLUMES CU. FT. PER FT. CONCRETE ENCASEMENT
6	30	2.50	3.59				
8	30	2.50	3.87				
10	30	2.50	4.09				
12	30	2.50	4.25				
15	36	3.00	5.55				
18	36	3.00	5.77	14 x 23	41	3.42	5.94
21	39	3.25	6.61				
24	42	3.50	7.39	19 x 30	49	4.08	7.68
27	45	3.75	8.18	22 x 34	53	4.42	8.61
30	49	4.08	9.30	24 x 38	58	4.83	9.70
33	53	4.42	10.53	27 x 42	62	5.17	10.71
36	56	4.67	11.43	29 x 45	66	5.50	11.72
39	DISCONTINUED						
42	63	5.25	13.38	34 x 53	75	5.92	13.14
48	70	5.83	15.67	38 x 60	83	6.92	16.18
54	77	6.42	18.15	43 x 68	92	7.67	18.81
60	84	7.00	20.73	48 x 76	101	8.42	21.59
66	91	7.58	23.45	53 x 83	109	9.08	24.35
72	98	8.17	26.37	58 x 91	118	9.83	27.45
78	105	8.75	29.39	63 x 98	126	10.50	30.50
84	112	9.33	32.57	68 x 106	135	11.25	33.91
90	119	9.92	35.90	72 x 113	143	11.92	36.99
96	126	10.50	39.37	77 x 121	152	12.67	40.69
102	133	11.08	42.99	82 x 128	160	13.33	44.45
108	140	11.67	46.75	87 x 136	168	14.00	47.79
114	147	12.25	50.66	92 x 143	176	14.67	51.70
120	154	12.83	54.72	97 x 151	185	15.42	56.01
126	161	13.42	58.92				
132	168	14.00	63.27	106 x 168	202	16.83	64.48
144	182	15.17	72.40	116 x 180	218	18.17	73.59

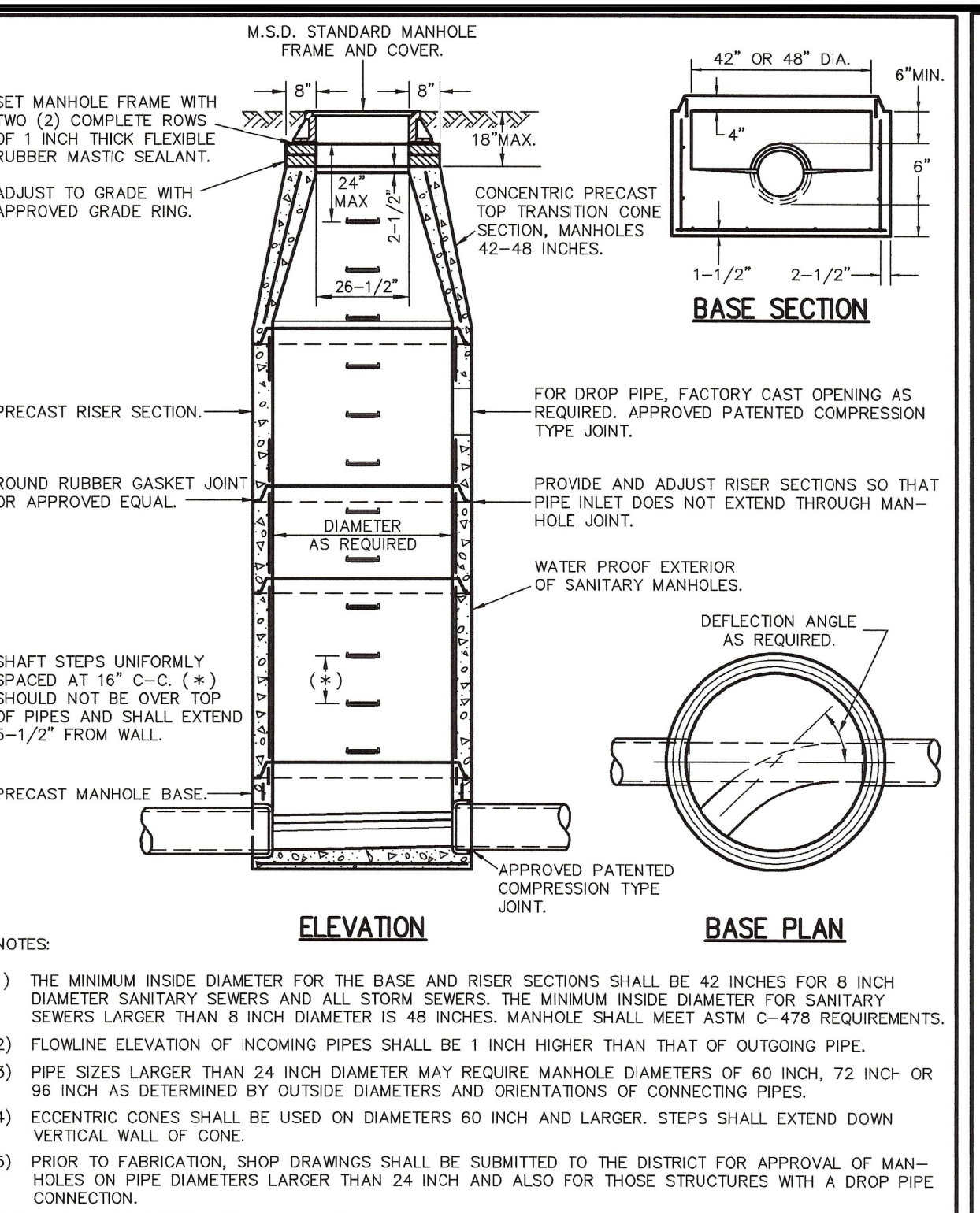
TABLE 1 PAYLINE WIDTHS OF TRENCH AND PAY-QUANTITIES OF CONCRETE	METROPOLITAN ST. LOUIS SEWER DISTRICT Standard Details of Sewer Construction Dr. B.E.B. Ch. J.C.K. 2009 SHEET 1
---	--



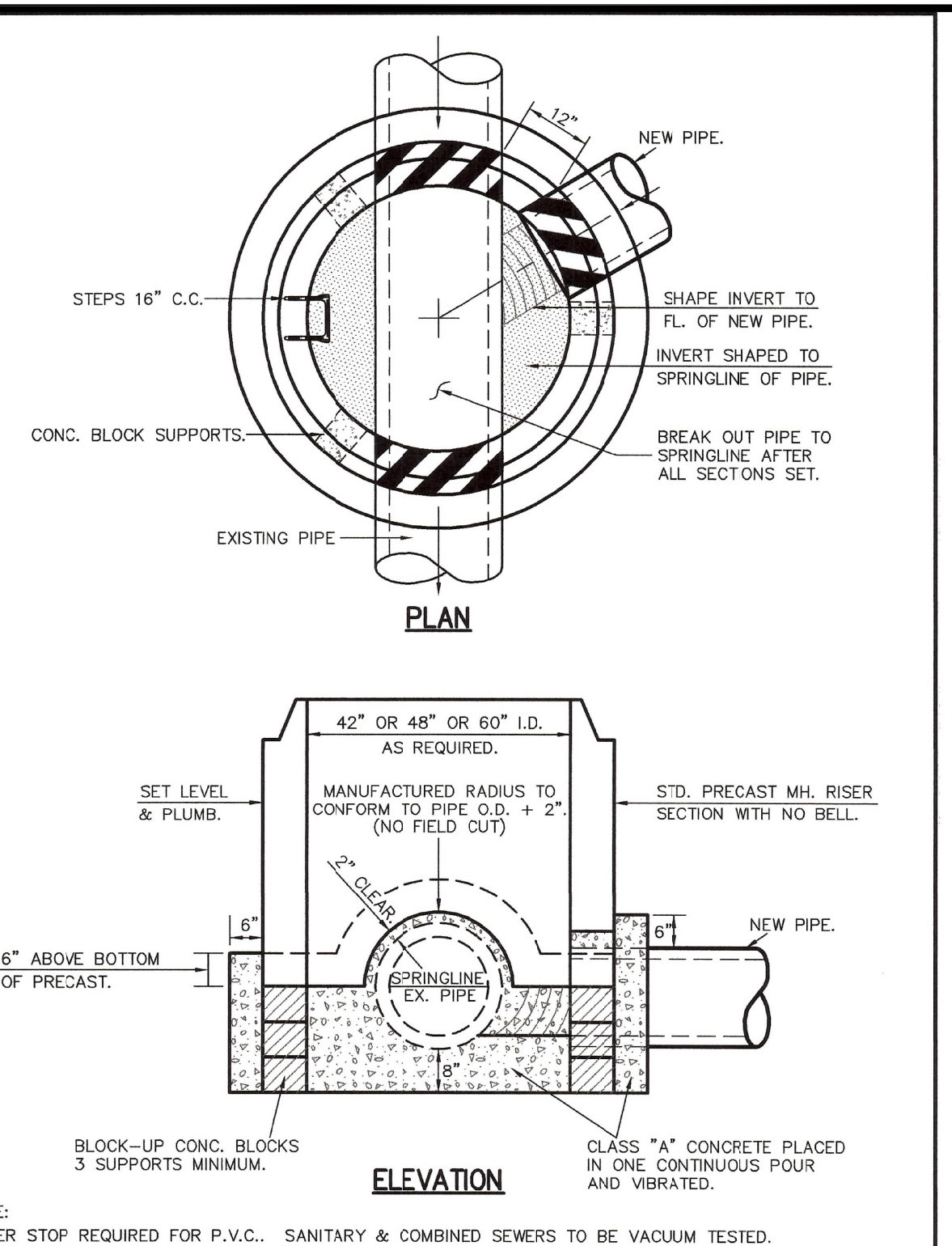
PAYLINE LIMITS FOR EXCAVATION	METROPOLITAN ST. LOUIS SEWER DISTRICT Standard Details of Sewer Construction Dr. W.S.H. Ch. J.C.K. 2009 SHEET 2
--------------------------------------	--



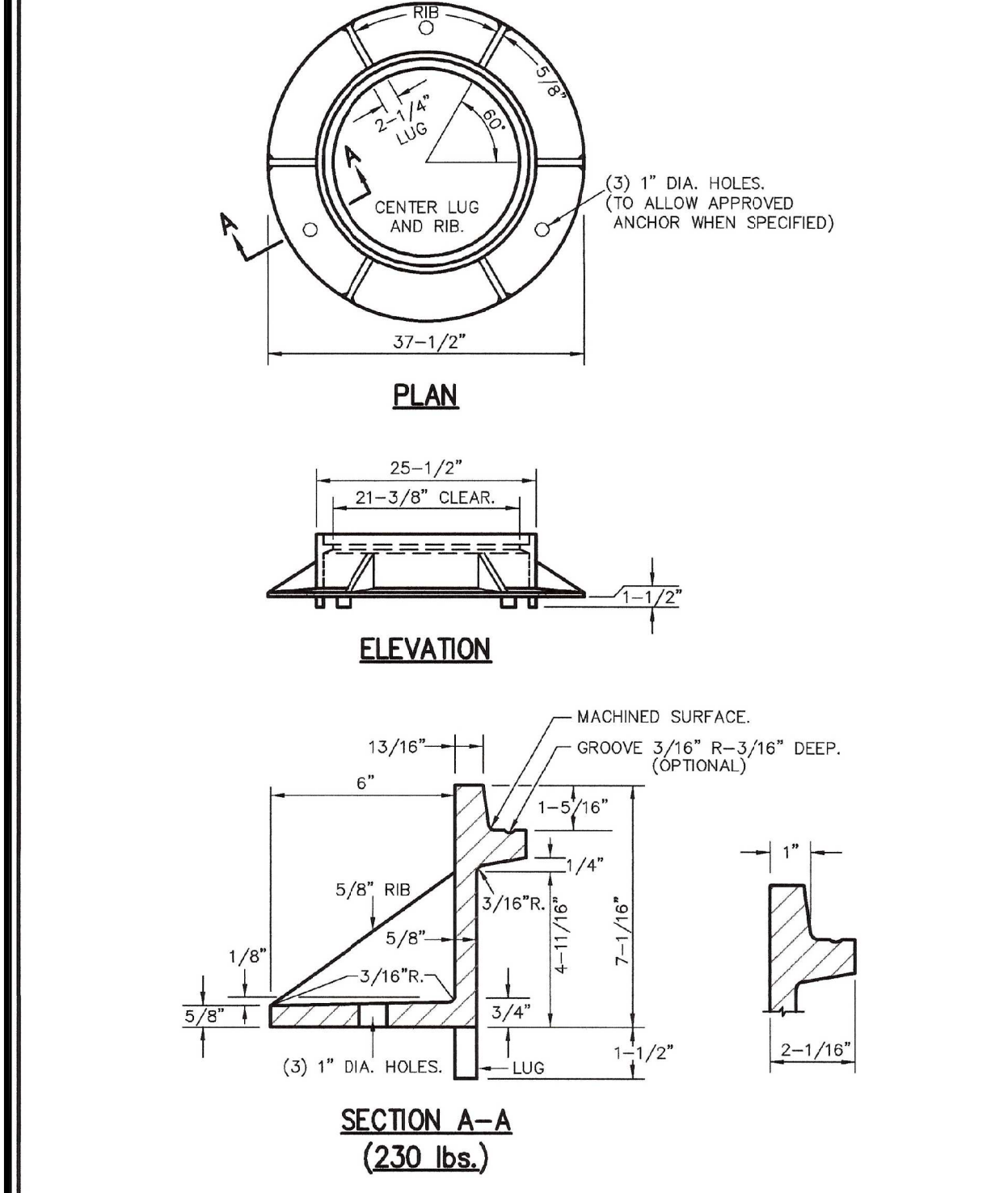
METROPOLITAN ST. LOUIS SEWER DISTRICT Standard Details of Sewer Construction Dr. W.S.H. Ch. J.C.K. 2009 SHEET 4
--



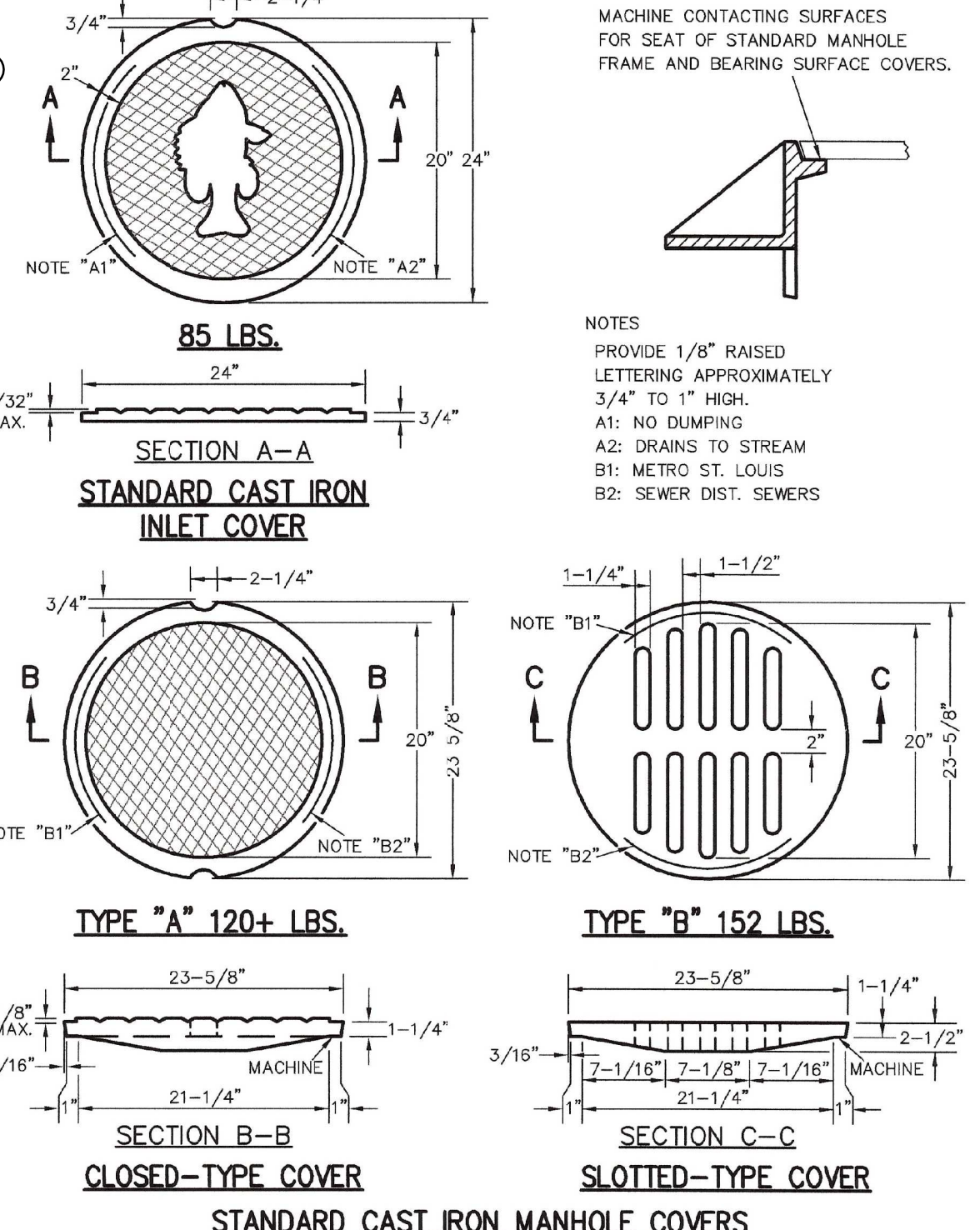
METROPOLITAN ST. LOUIS SEWER DISTRICT Standard Details of Sewer Construction Dr. WSH/SAM Ch. J.C.K. 2009 SHEET 21 (REV)
--



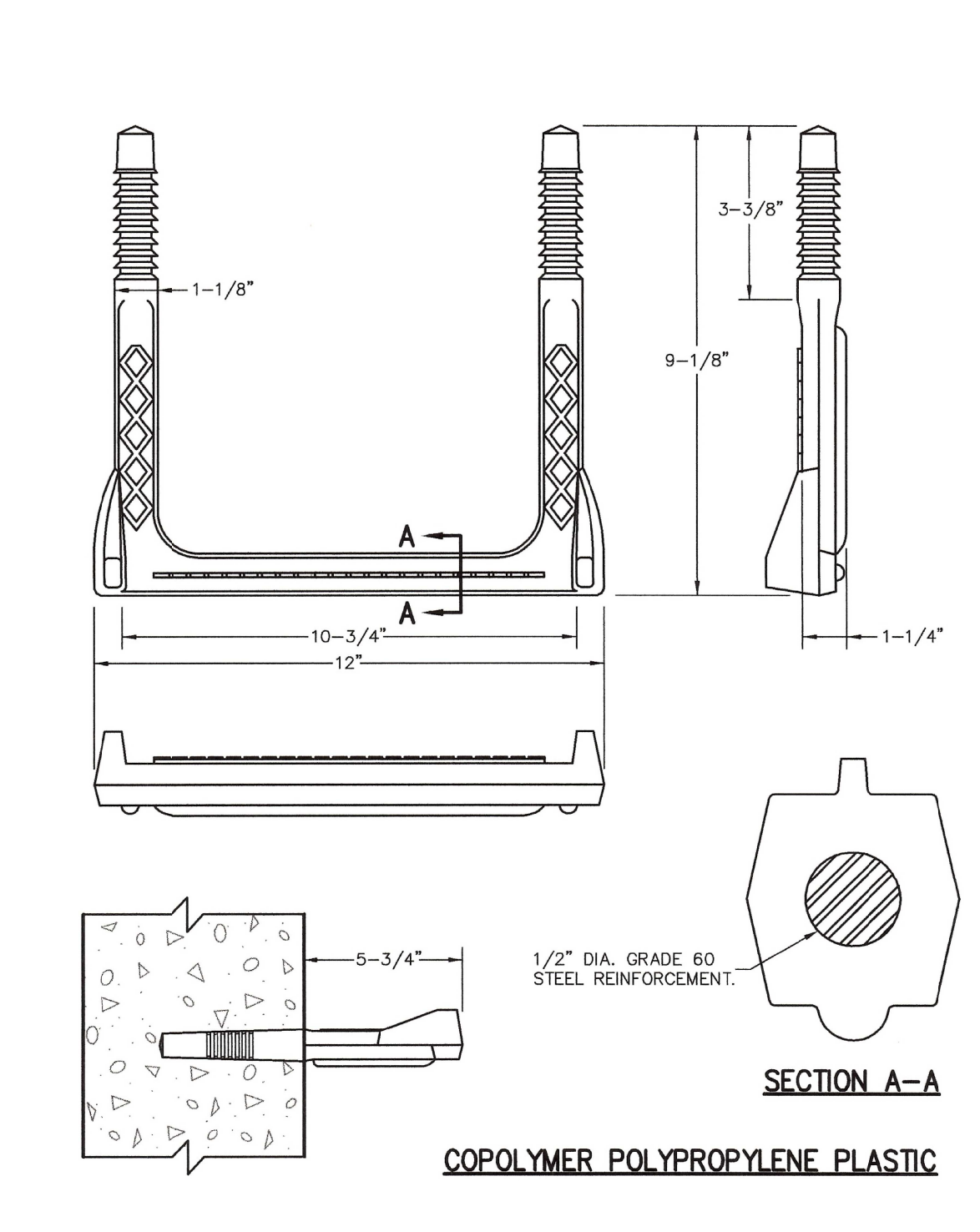
METROPOLITAN ST. LOUIS SEWER DISTRICT Standard Details of Sewer Construction Dr. S.A.M. Ch. P.W.S. 2009 SHEET 22



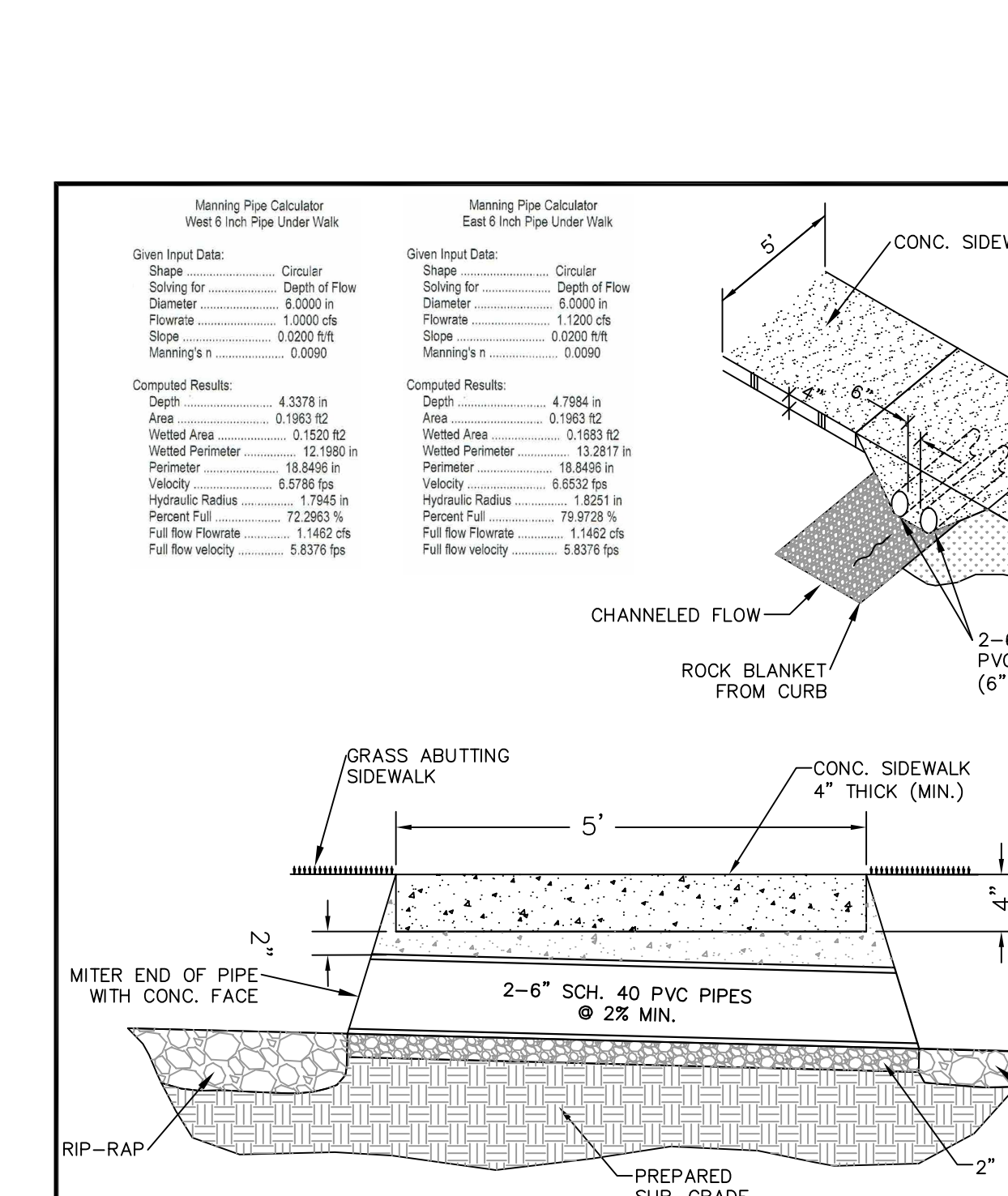
METROPOLITAN ST. LOUIS SEWER DISTRICT Standard Details of Sewer Construction Dr. DAB/SAM Ch. J.C.K. 2009 SHEET 52
--



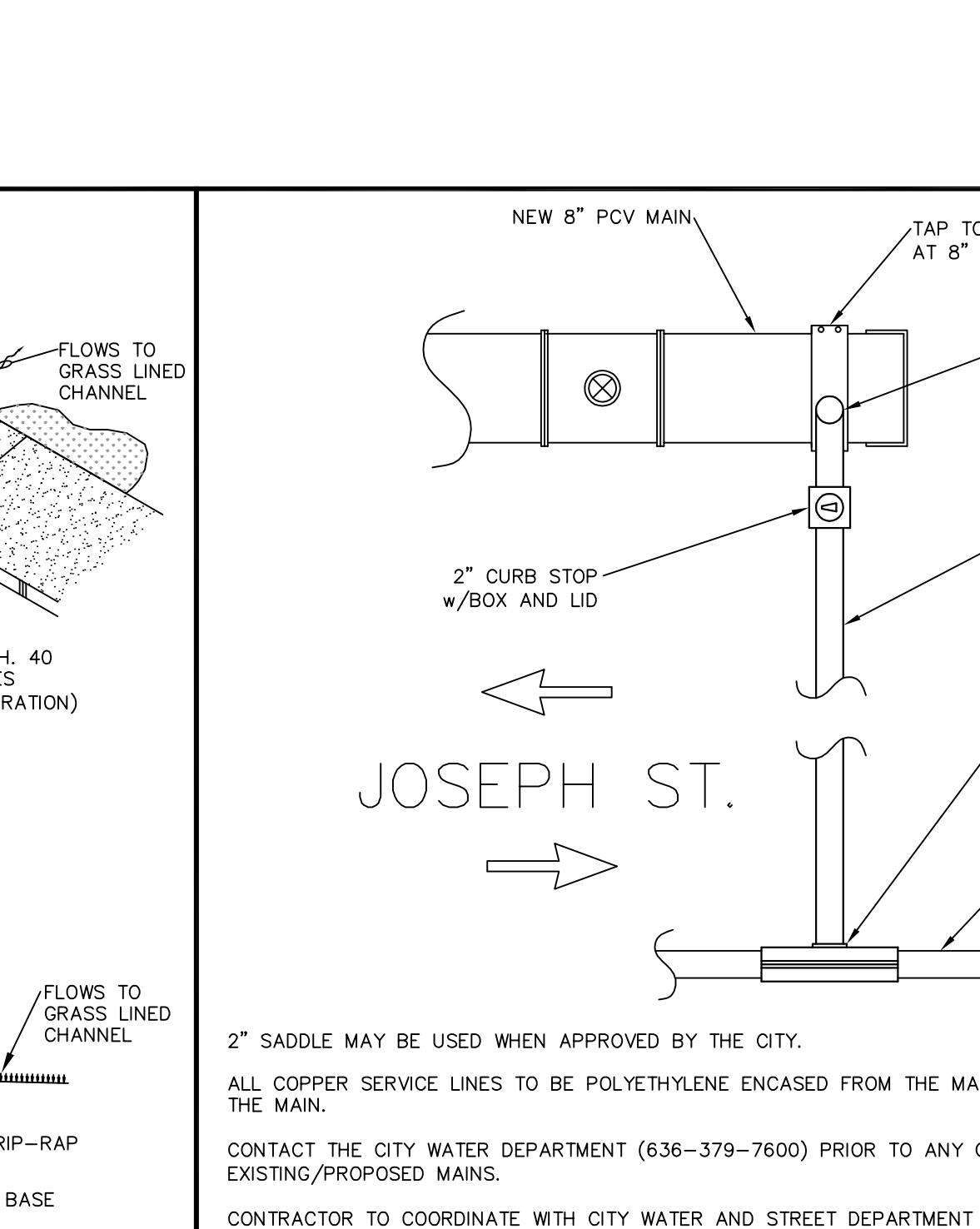
METROPOLITAN ST. LOUIS SEWER DISTRICT Standard Details of Sewer Construction Dr. RGW/SAM Ch. J.C.K. 2009 SHEET 53
--



METROPOLITAN ST. LOUIS SEWER DISTRICT Standard Details of Sewer Construction Dr. D.A.B. Ch. J.C.K. 2009 SHEET 58



METROPOLITAN ST. LOUIS SEWER DISTRICT Standard Details of Sewer Construction Dr. D.A.B. Ch. J.C.K. 2009 SHEET 58



METROPOLITAN ST. LOUIS SEWER DISTRICT Standard Details of Sewer Construction Dr. S.A.M. Ch. P.W.S. 2009 SHEET 22

StCharlesRent

The Professional Engineer's and/or Professional Land Surveyor's responsibility is limited to plans and other documents displaying his/her signature and seal. Engineer and Surveyor hereby disclaim responsibility for:

- Unauthorized use of plans and other documents prior to receipt of all review agency approvals
- All previously issued versions of this sheet
- This sheet whenever a revised sheet is issued
- Individual use of any sheet that is part of a set of plans

 This applies to all plans and other documents associated with this project, whether this statement appears on them or not.

RICHARD SCOTT MUSLER
Professional Engineer
NUMBER PE-18838

Client

125 Joseph Trust
1278 Jungermann Road, Suite F
St. Peters, MO 63376
636-262-4473
N/A
Mr. Paul James
paul@stcharlesrent.com

No.	Date	Revision/Issue
1	3-19-19	Rev. per City comments 02-26-19
2	4-17-19	Rev. per City comments 04-11-19

Joseph Street Townhomes Phase Two

Details

MUSLER ENGINEERING COMPANY
CIVIL ENGINEERING - PLANNING - LAND SURVEYING
32 PORTWELL COURT • SAINT CHARLES, MISSOURI 63303-5985
PHONE: 636-916-0444 • FAX: 636-916-3444

CITY OF FALLON
File #: 19-000810
Permit #: CSP19-000004
P & Z #: 18-012179
City Council #: 18-012331

City/County Job No:
Checked:
Proj Manager:
Original Issue Date
Nov., 2018
Project No.
18-1492
Sheet
8

CITY OF FALLON
File #: 19-000810
Permit #: CSP19-000004
P & Z #: 18-012179
City Council #: 18-012331