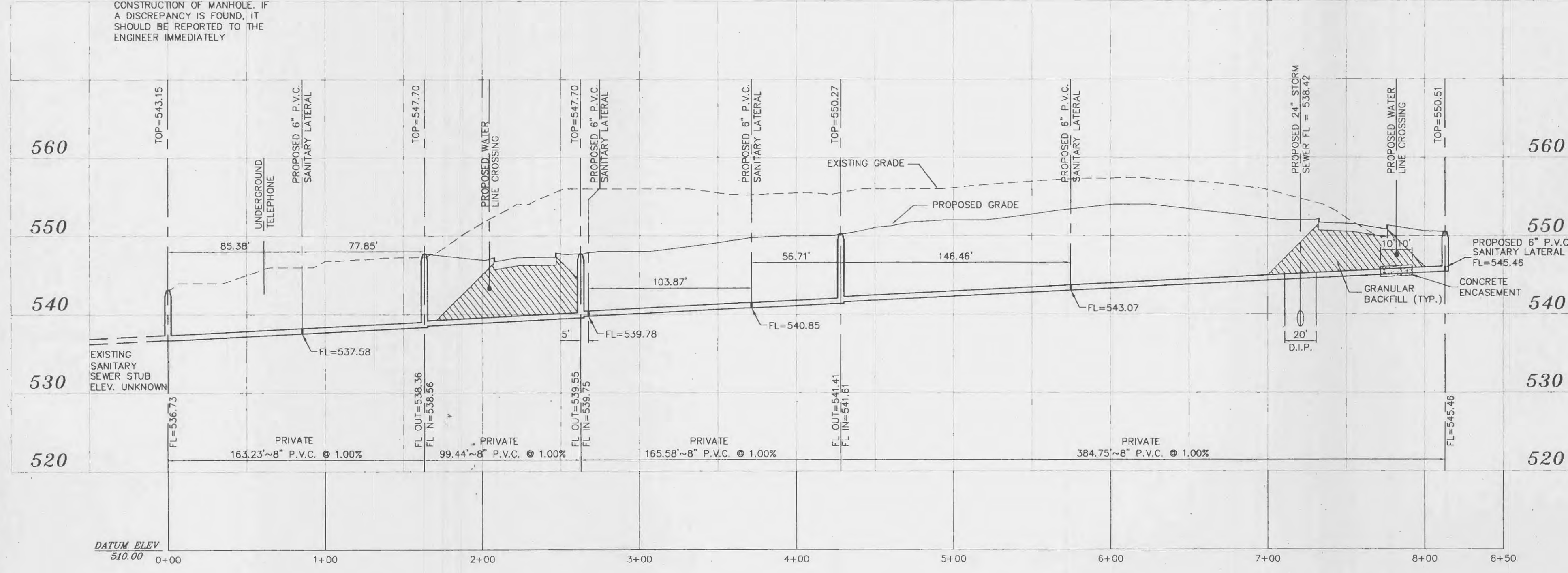
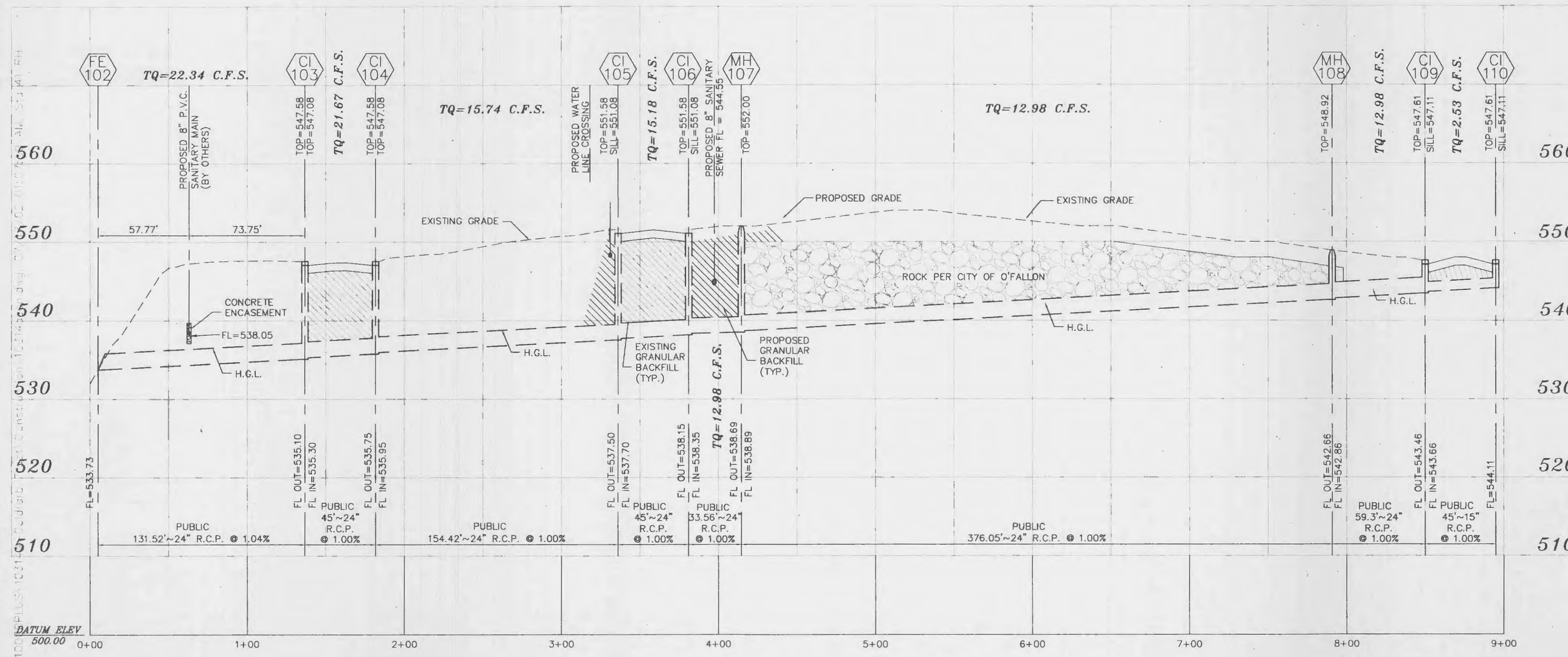


CONSTRUCTION MANHOLE OVER EXISTING SANITARY STUB. CONTRACTOR TO FIELD VERIFY LOCATION AND DEPTH PRIOR TO CONSTRUCTION OF MANHOLE. IF A DISCREPANCY IS FOUND, IT SHOULD BE REPORTED TO THE ENGINEER IMMEDIATELY.



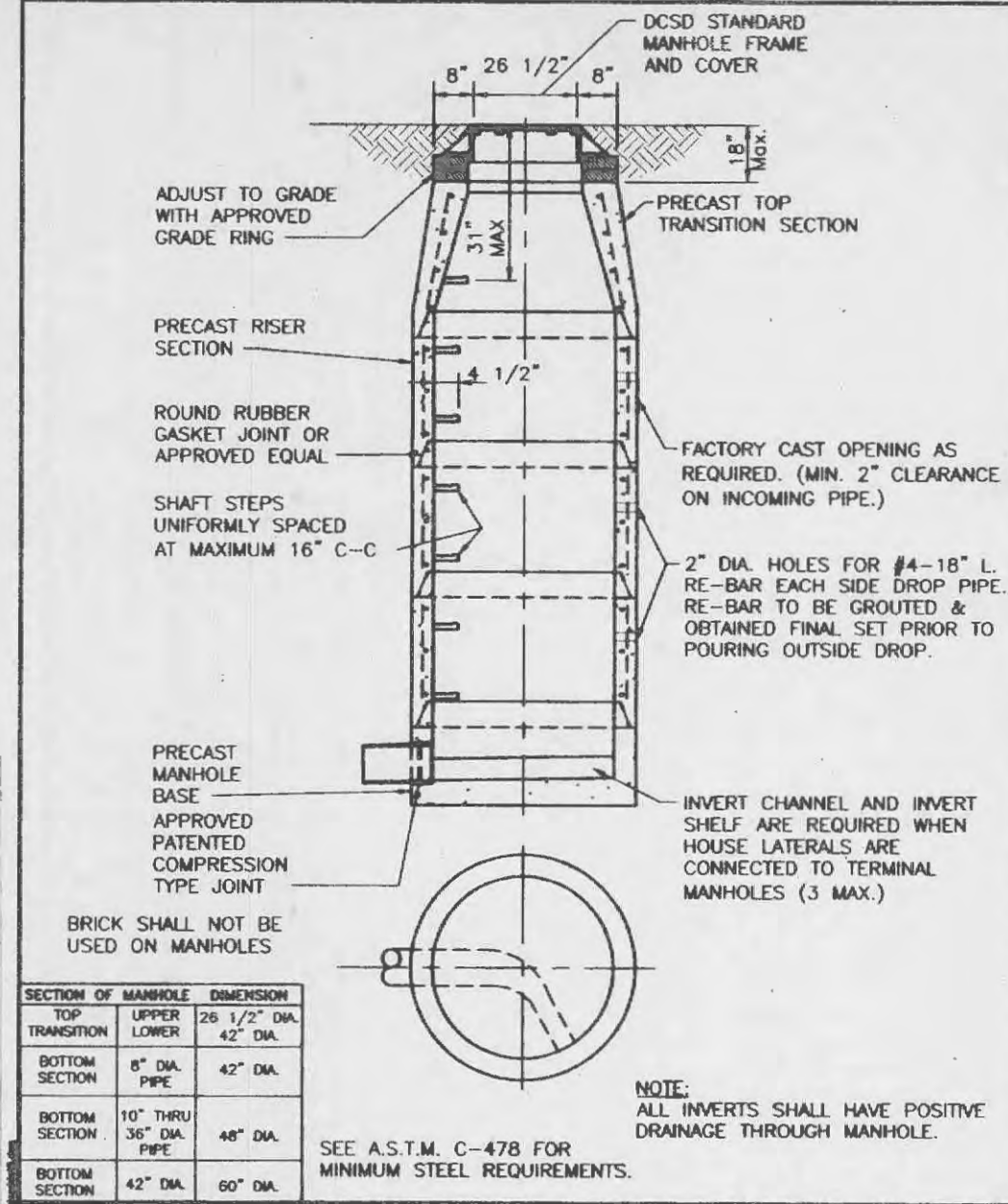
SANITARY SEWER PROFILE

SCALE: 1"=10' VERTICAL, 1"=50' HORIZONTAL



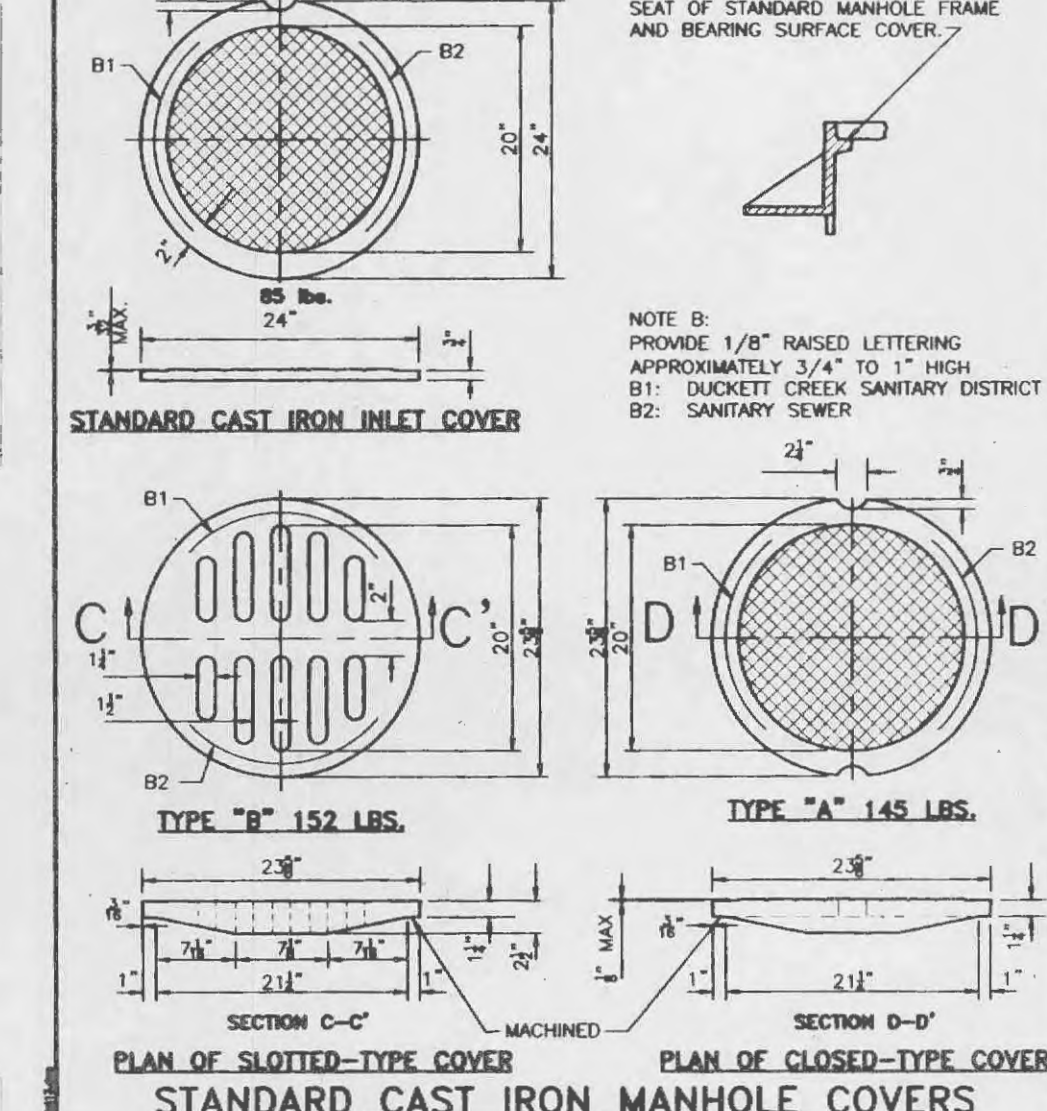
STORM SEWER PROFILE

SCALE: 1"=10' VERTICAL, 1"=50' HORIZONTAL



Duckett Creek Sanitary District
TERMINAL MANHOLE FOR SEWERS 8" THROUGH 18"

Drawn By:	BSM	App. By:	KLA	Issue No.:	8
Check By:	MOOB	Date:	01-03-00		



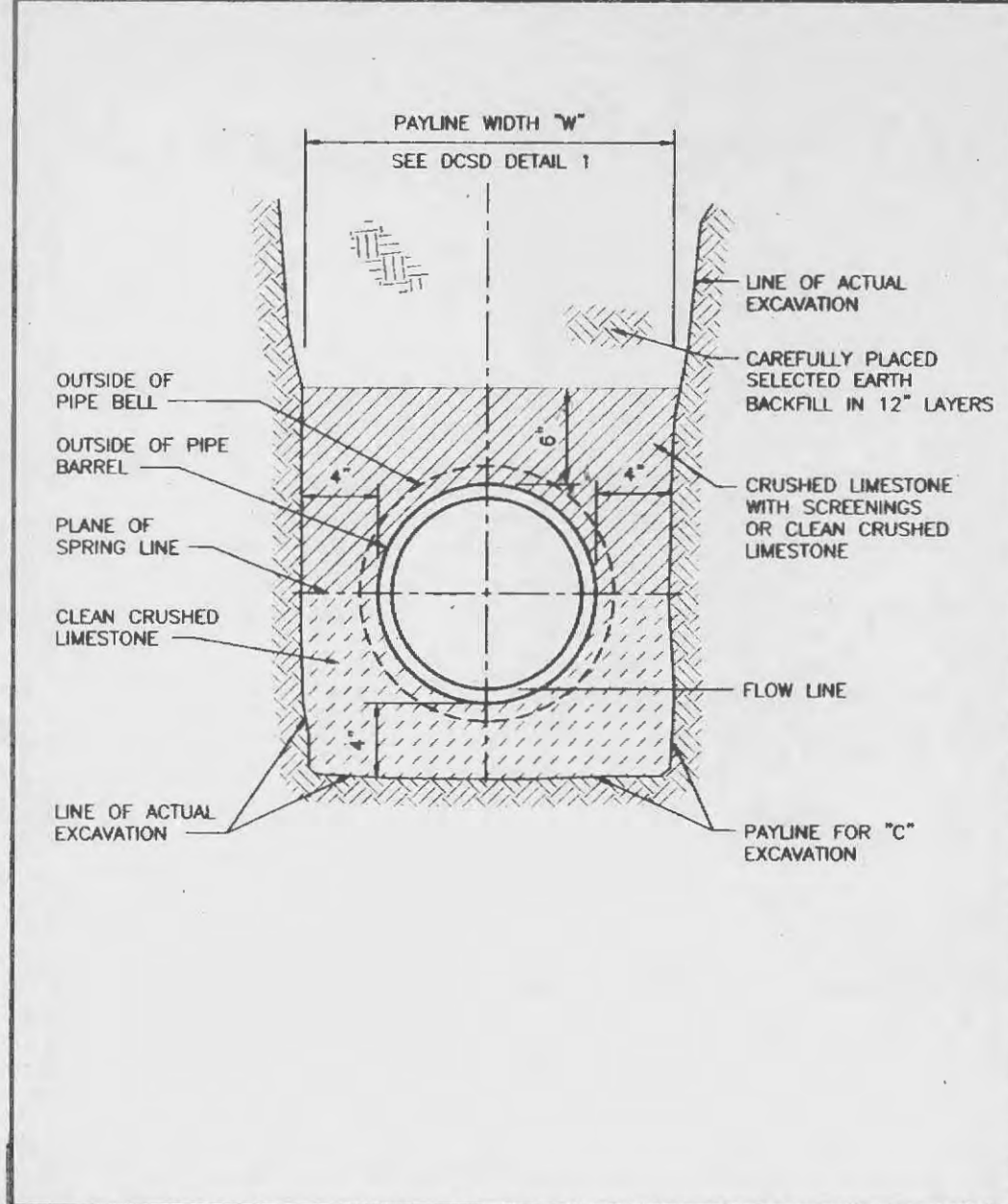
Duckett Creek Sanitary District
CAST IRON COVERS MANHOLES AND INLETS

Drawn By:	BSM	App. By:	KLA	Issue No.:	13
Check By:	MOOB	Date:	12-22-00		



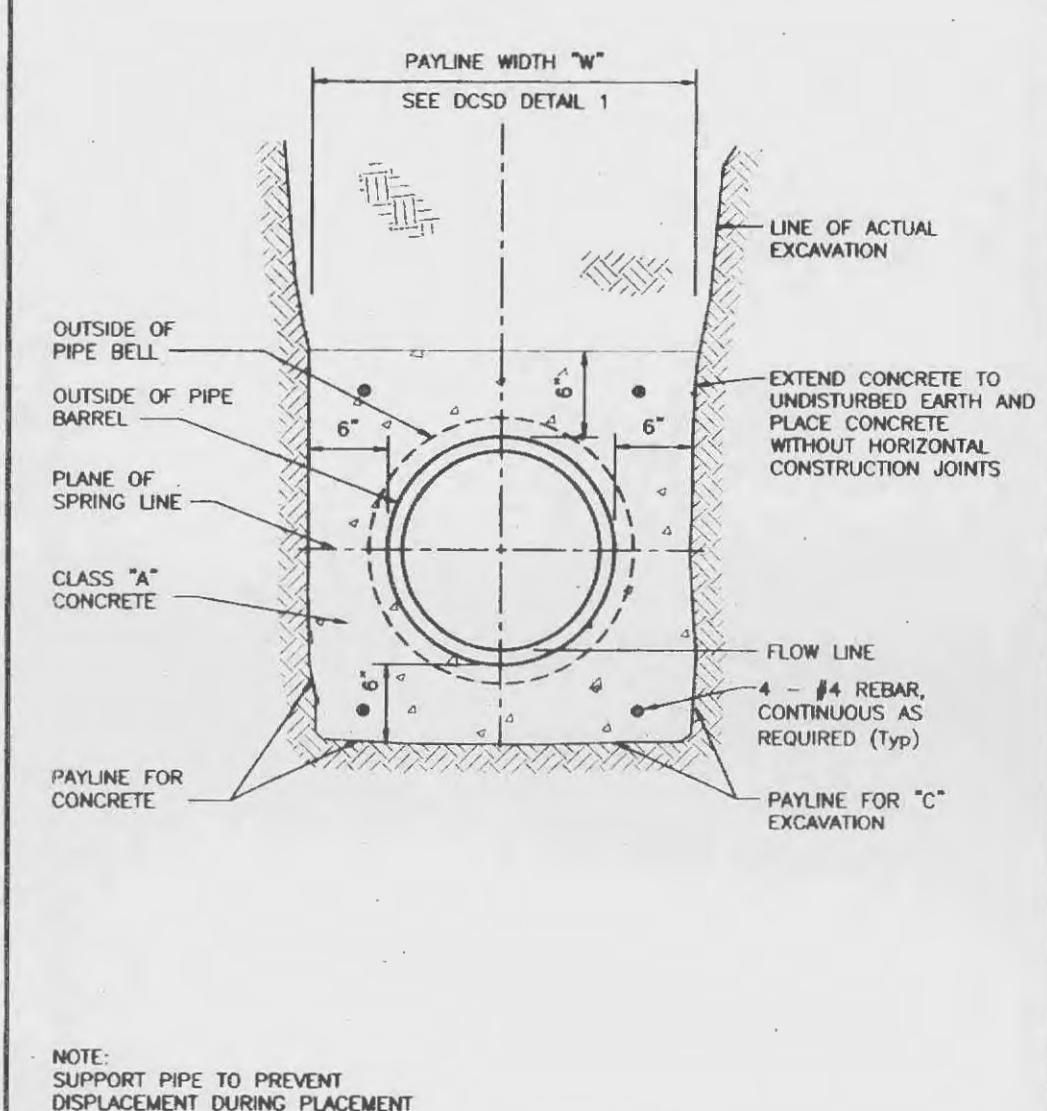
STORM SEWER PROFILE

SCALE: 1"=10' VERTICAL, 1"=50' HORIZONTAL



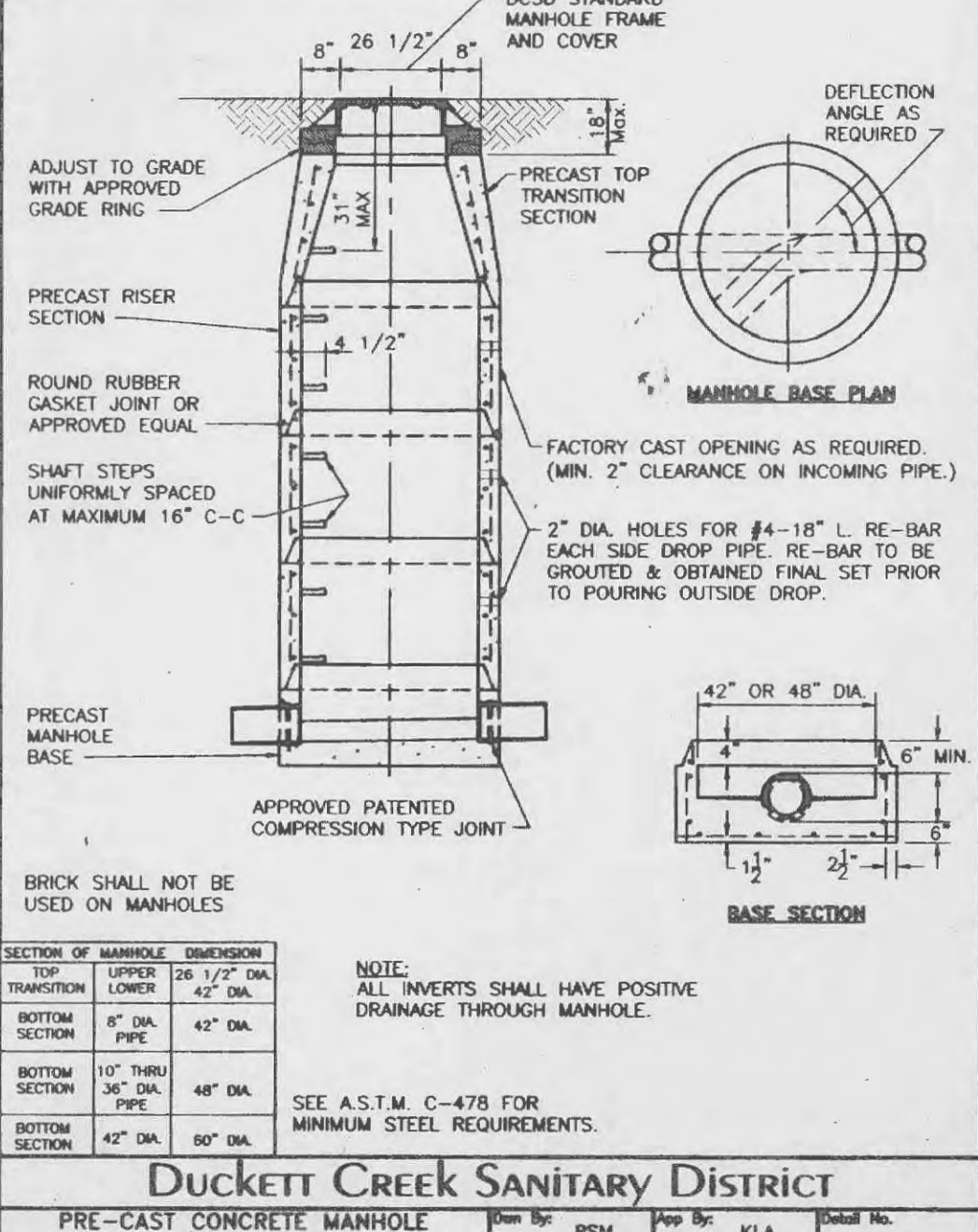
Duckett Creek Sanitary District
PIPE BEDDING CLASS "C" FOR ALL PIPE EXCEPT REINFORCED CONCRETE PIPE

Drawn By:	BSM	App. By:	KLA	Issue No.:	7
Check By:	MOOB	Date:	12-21-99		



Duckett Creek Sanitary District
TYPICAL CONCRETE ENCASEMENT

Drawn By:	BSM	App. By:	KLA	Issue No.:	4
Check By:	MOOB	Date:	12-21-99		



Duckett Creek Sanitary District
PRE-CAST CONCRETE MANHOLE FOR SEWERS 8" THROUGH 18"

Drawn By:	BSM	App. By:	KLA	Issue No.:	7
Check By:	MOOB	Date:	12-30-99		

NATIONAL LEASE HOLDS
2525 S. BRENTWOOD BLVD., SUITE 103
ST. LOUIS, MO 63144
314-962-4546

PREPARED FOR:

DISCLAIMER OF RESPONSIBILITY
I hereby certify that the documents prepared to be authenticated by my seal are limited to this sheet, and I hereby disclaim any responsibility for all other drawings, Specifications, Estimates, Reports or other documents or instruments recited to or intended to be used for any part or parts of the architectural or engineering project or survey.

Copyright 2001
Box Engineering Company, Inc.
All Rights Reserved.

REVISIONS

5-13-01	Per Duckett Com.
6-13-01	Per City Comments
7-10-01	Per Duckett Com.
8-23-01	Per City Comments
10-10-01	Per City Comments
12-14-01	Road Revision



ENGINEERING PLANNING SURVEYING
1052 South Cloverleaf Drive
St. Peters, MO. 63376-6445
636-928-5552
FAX 928-1718

3-12-01
DATE
98-10314A
PROJECT NUMBER
5 OF 9
SHEET OF
10314ACON.DWG
FILE NAME
ALJ
DRAWN
ALJ CLH
DESIGNED CHECKED