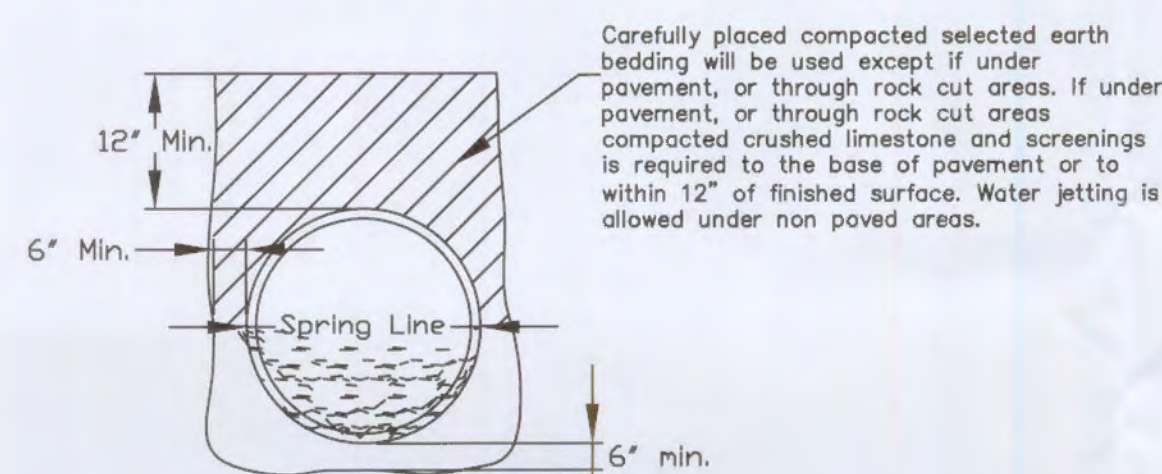


DESIGN CRITERIA

- DIVERSIONS SHALL BE USED FOR DRAINAGE AREAS ≤ 3 ACRES.
- DIVERSION CHANNELS SHALL BE DESIGNED TO CONVEY THE 6-MO STORM AT NON-EROSIVE VELOCITIES.
- CRITICAL LOCATIONS SHALL BE DESIGNED FOR THE 15YR / 20MIN. STORM.
- MAXIMUM CHANNEL SLOPE OF 3% WITHOUT CHECK DAMS.
- SWALE SEDIMENT TRAPS ARE TO BE USED IN HIGHLY ERODIVE AREAS.
- CHANNELS SHALL BE PROTECTED USING APPROPRIATE CHANNEL LINERS.
- CHANNEL OUTLETS MUST BE STABILIZED.
- STORM SEWERS MAY BE USED IN LIEU OF OPEN CHANNELS.

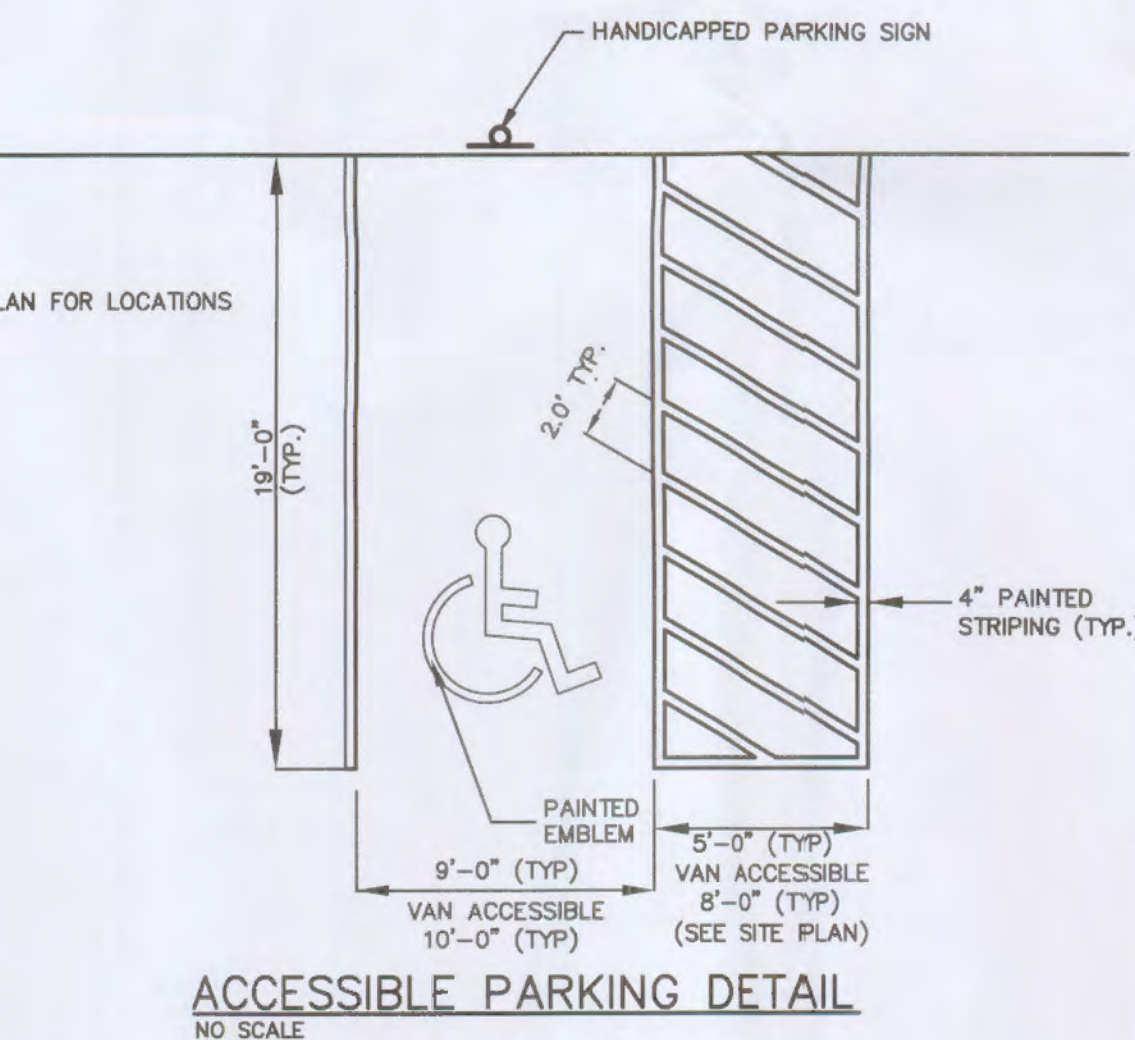
CITY OF O'FALLON
ENGINEERING DEPARTMENT
O'FALLON, MISSOURI

**DIVERSION BERMS
+ DIKES**



BMP TRASH RACK

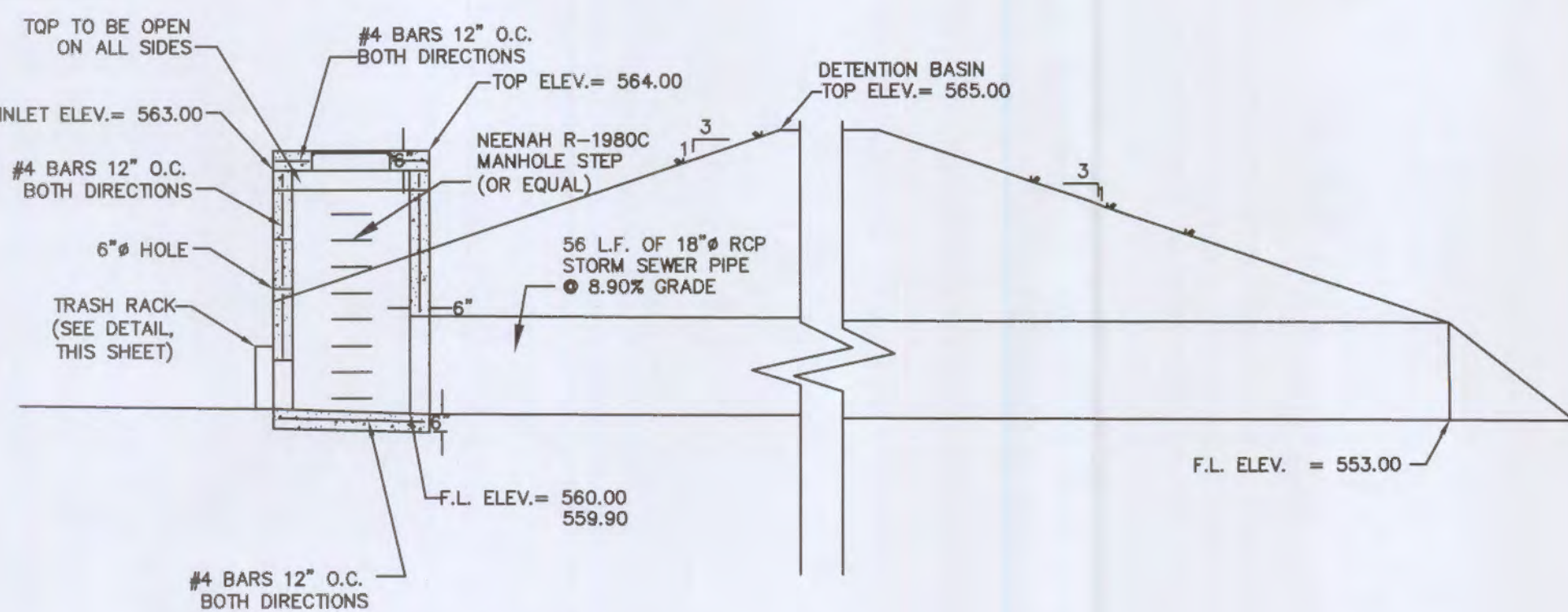
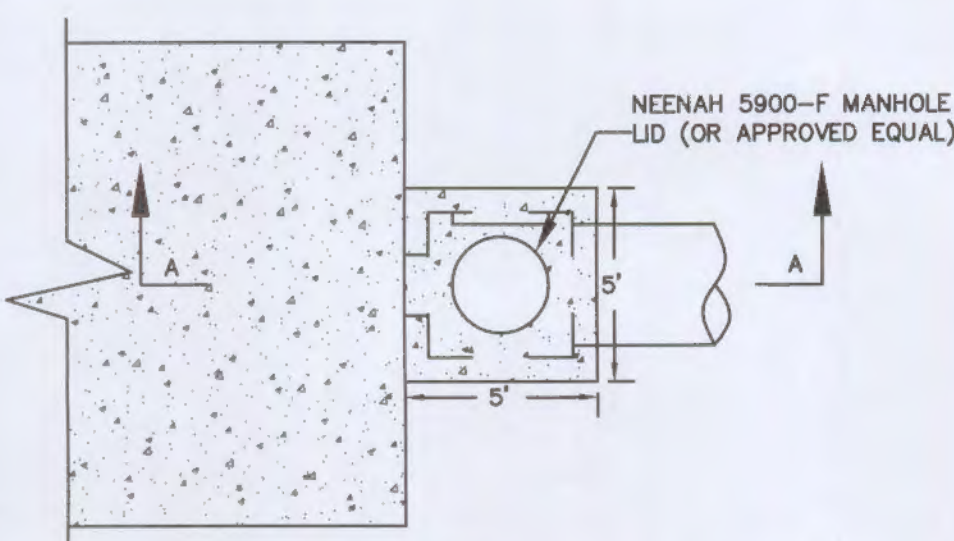
PLASTIC SOLUTIONS INC.
P.O. Box 4386
Winchester VA 22604
877-877-5727
www.plastic-solutions.com



ACCESSIBLE PARKING DETAIL
NO SCALE

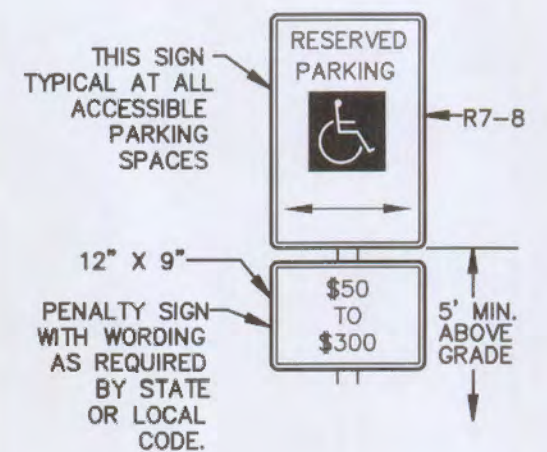
CITY OF O'FALLON
ENGINEERING DEPARTMENT
O'FALLON, MISSOURI

TRANCH DETAIL

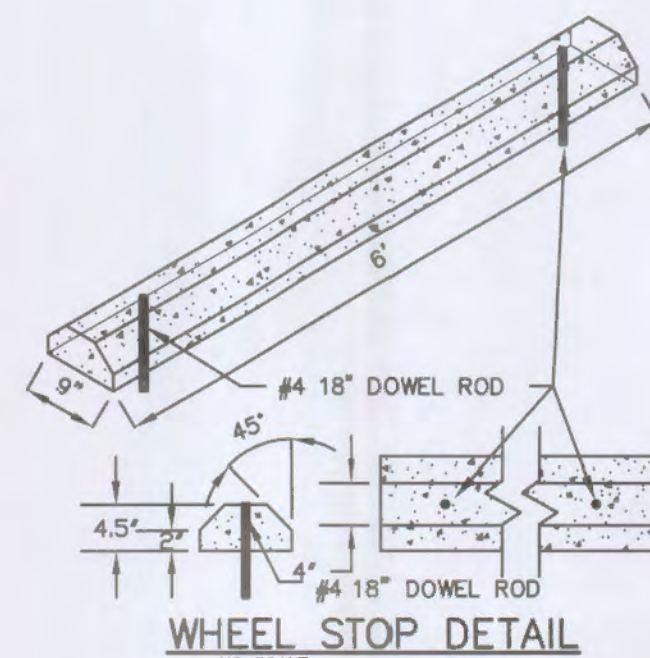


SECTION A-A

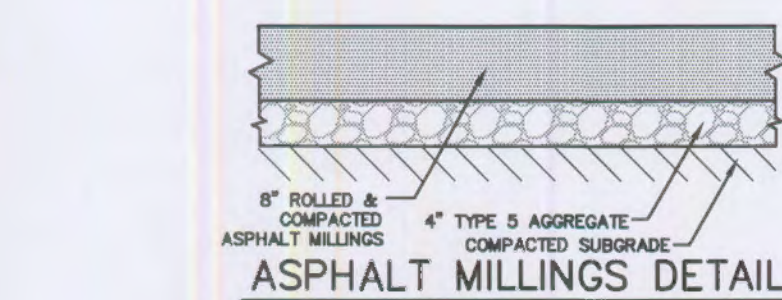
EAST DETENTION BASIN OVERFLOW STRUCTURE #1
NO SCALE



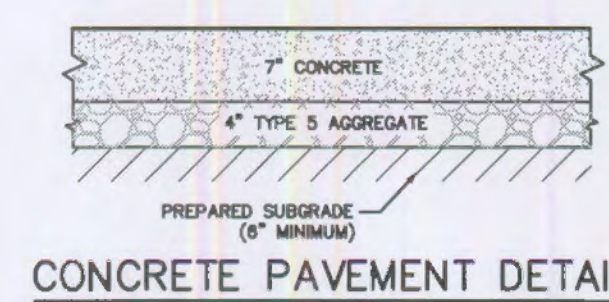
ACCESSIBLE PARKING SIGN
NO SCALE



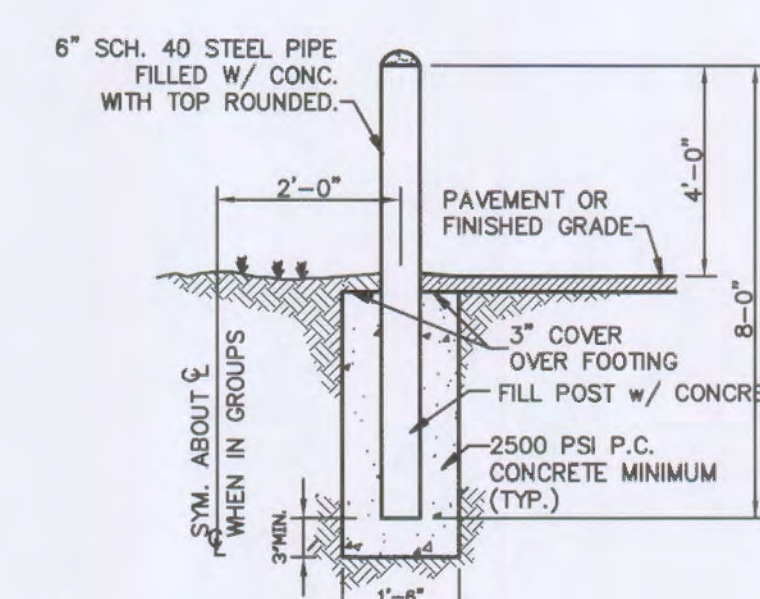
WHEEL STOP DETAIL
NO SCALE



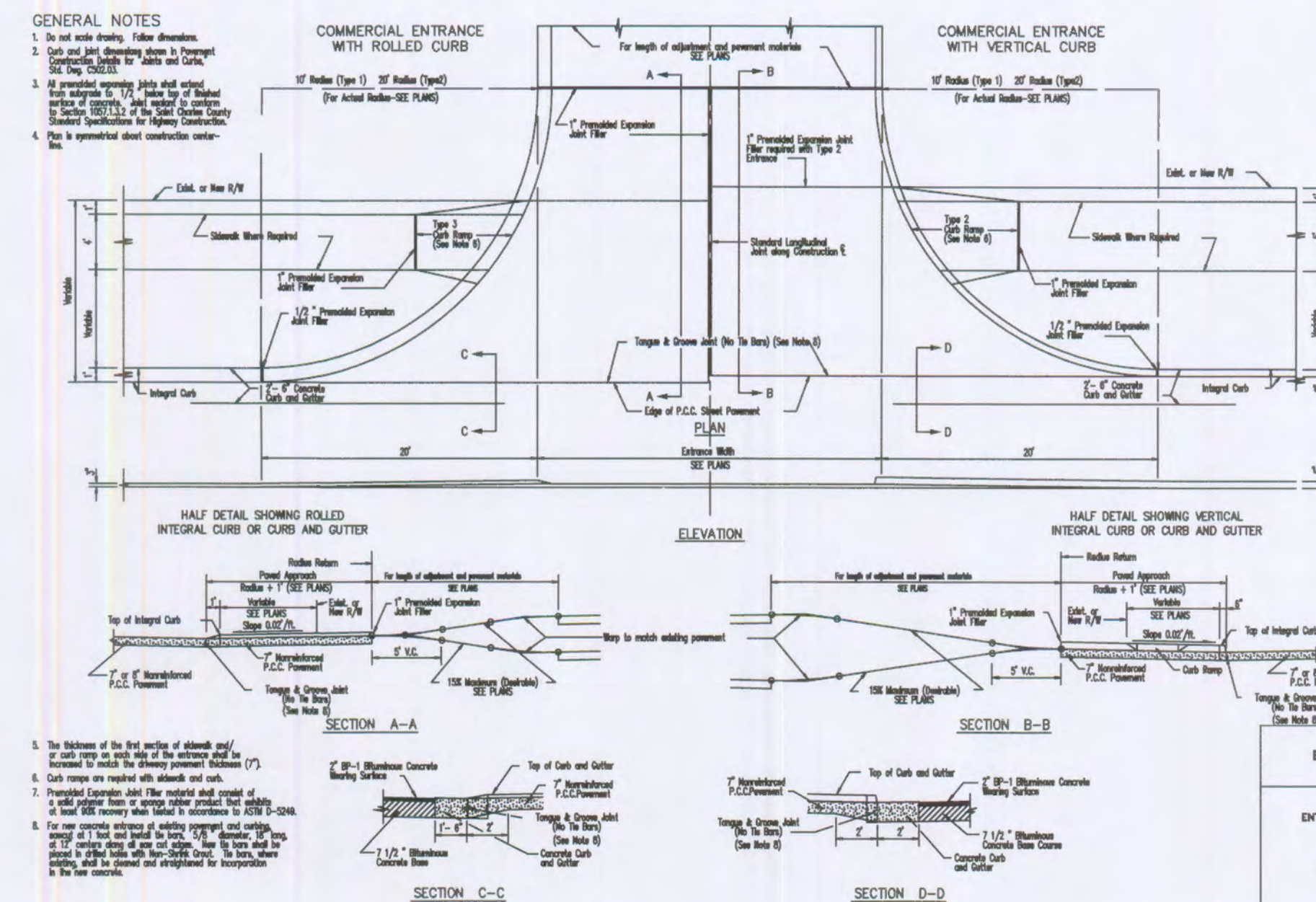
ASPHALT MILLINGS DETAIL
NO SCALE



CONCRETE PAVEMENT DETAIL
NO SCALE

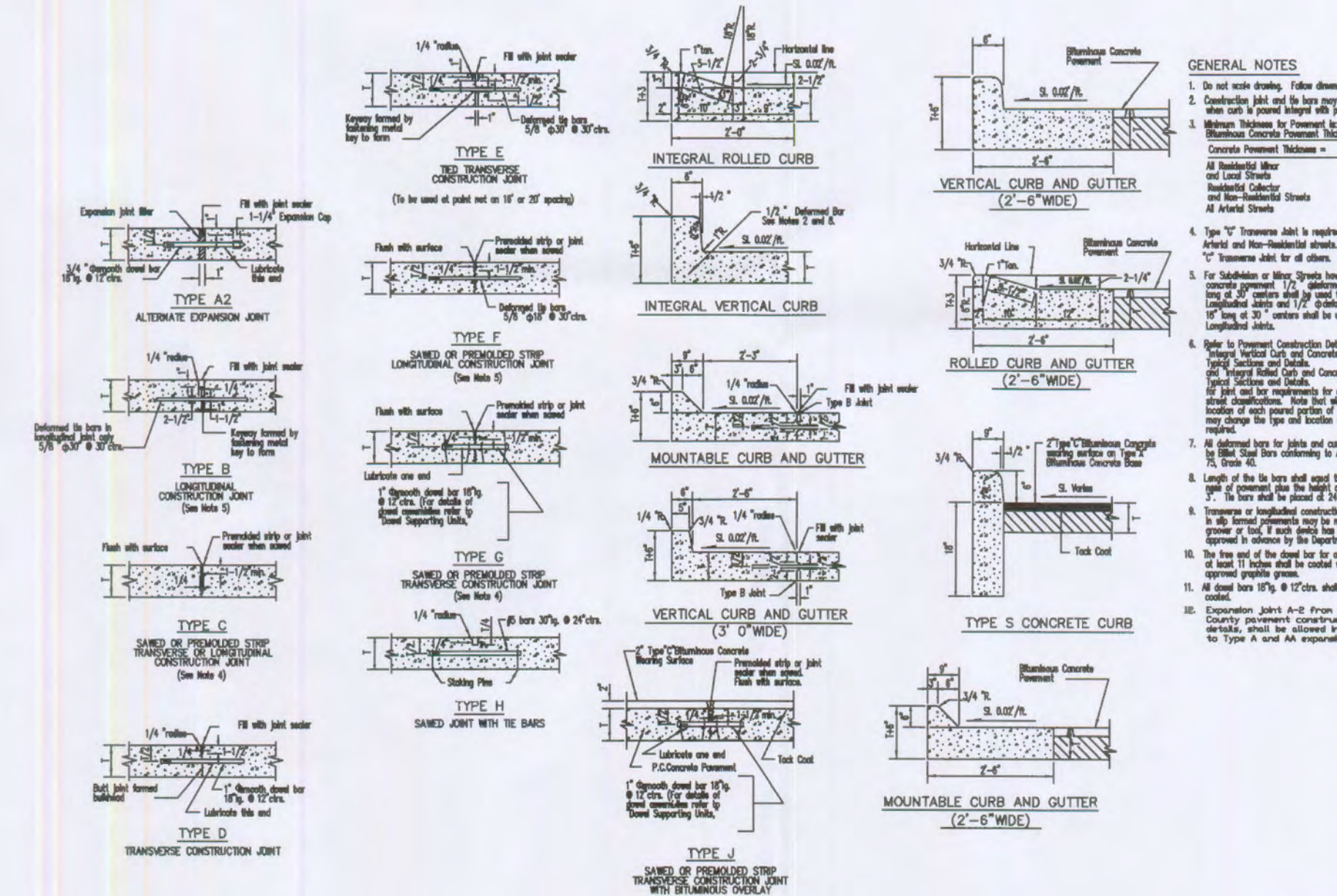


PIPE BOLLARD
NO SCALE



CITY OF O'FALLON
ENGINEERING DEPARTMENT
O'FALLON, MISSOURI

**ENTRANCE CONSTRUCTION DETAILS
TYPE 1 & 2 SPECIAL
CONCRETE ENTRANCES**

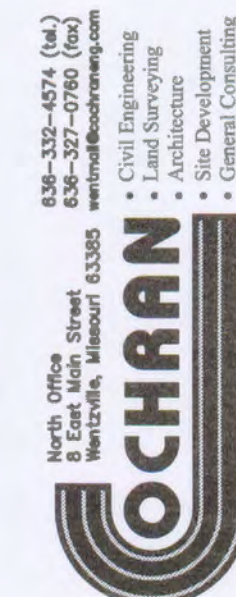


CITY OF O'FALLON
ENGINEERING DEPARTMENT
O'FALLON, MISSOURI

**PAVEMENT CONSTRUCTION DETAILS
JOINTS AND CURBS**

Lot 1 of Kemmar Court

Engineering Company's
Information



7-20-13
DATE
Kurtis J. Daniels No. E-28668
Registered Professional Engineer
State of Missouri
for Cochran Engineering & Surveying

Owner: Hero, LLC
Developer: Grace Hauling
1010 Hoff Road
O'Fallon, MO 63366
Phone: 636-398-8060

P+Z No.
Approval Date: 7/6/13
City No. 00-42.06

Page No.
C8

City of O'Fallon Standard Sheet