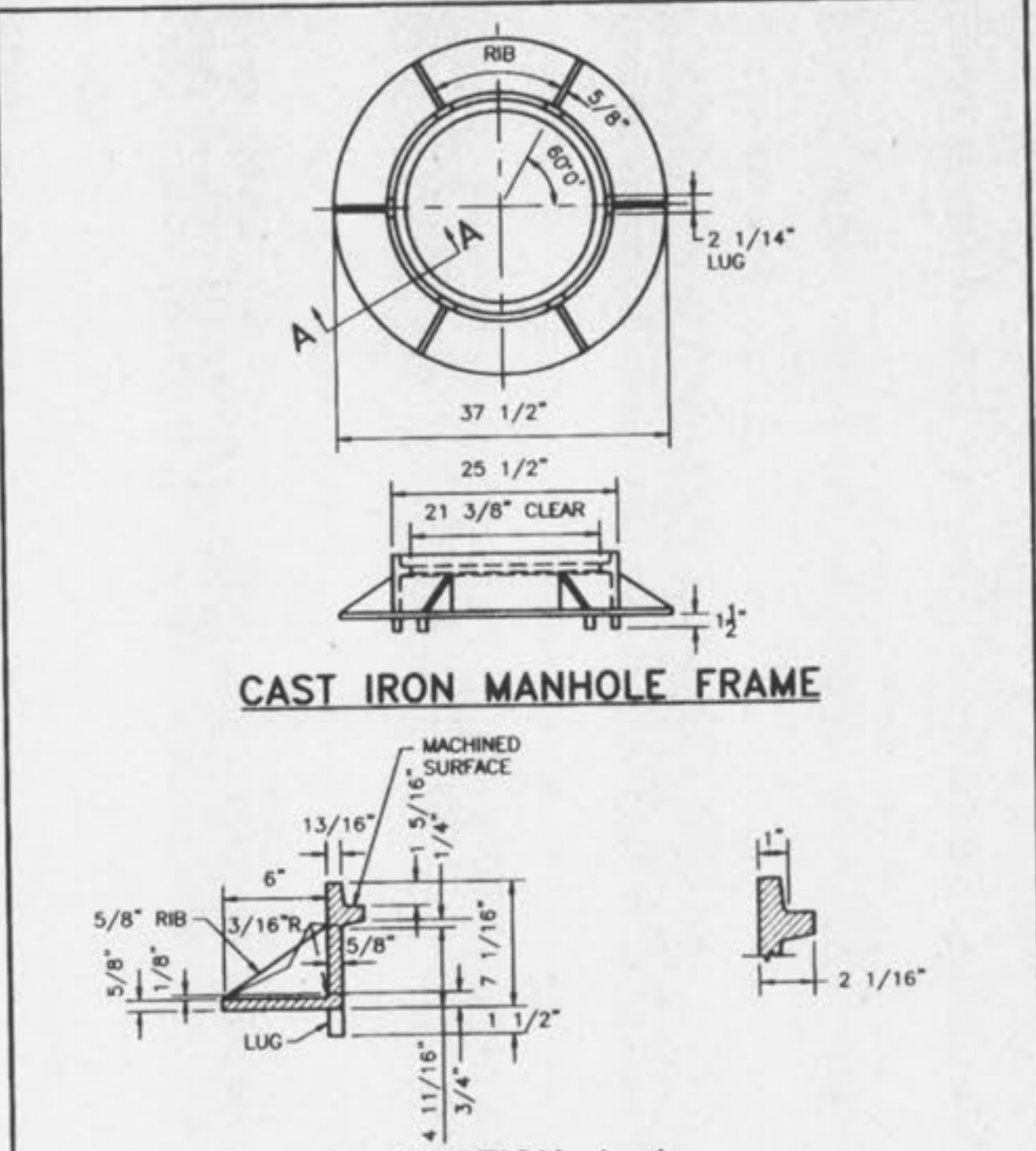


DETAIL "A" STANDARD DROP PIPE
DETAIL "A" MODIFIED MODIFIED DROP PIPE (FOR STEEP INFLUENT GRADES)
INSIDE DROP MANHOLE

NOTE: ALL INVERTS SHALL HAVE POSITIVE DRAINAGE THROUGH MANHOLE.

DUCKETT CREEK SANITARY DISTRICT

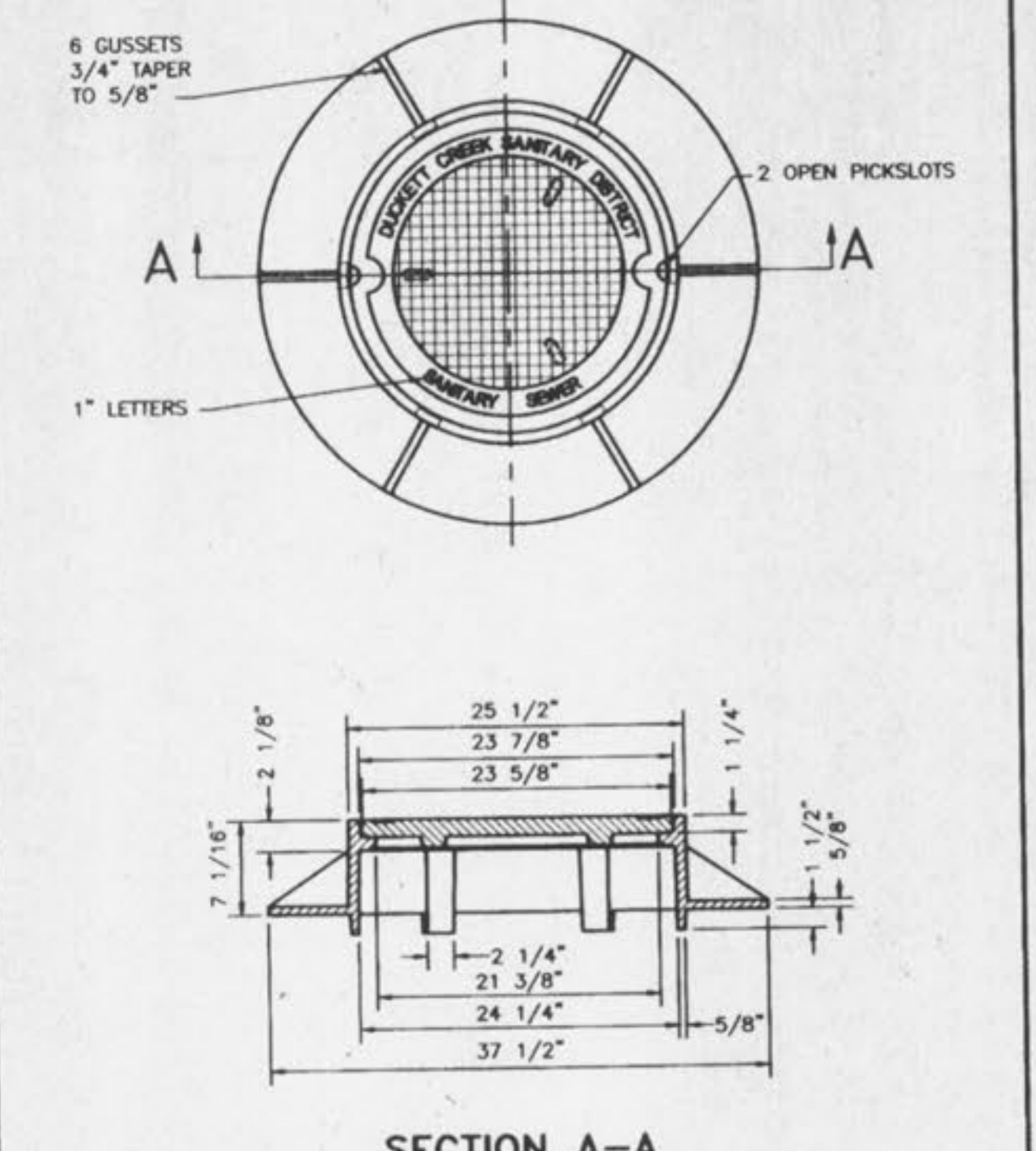
Drawn By: BSM	App. By: KLA	Detail No. 10
Check By: MDOB	Date: 01-10-00	



CAST IRON MANHOLE FRAME

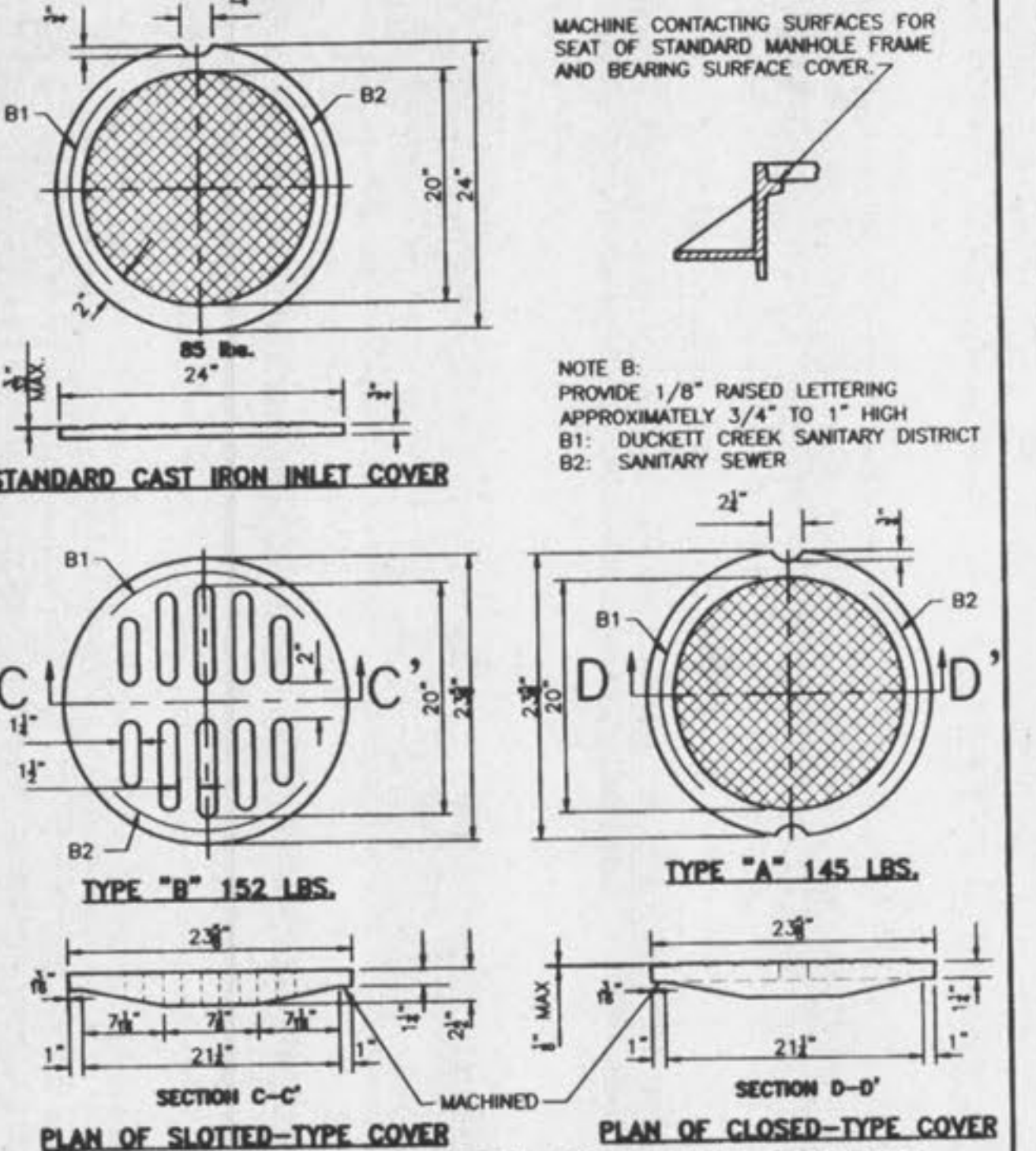
DUCKETT CREEK SANITARY DISTRICT

Drawn By: BSM	App. By: KLA	Detail No. 11
Check By: MDOB	Date: 01-14-00	



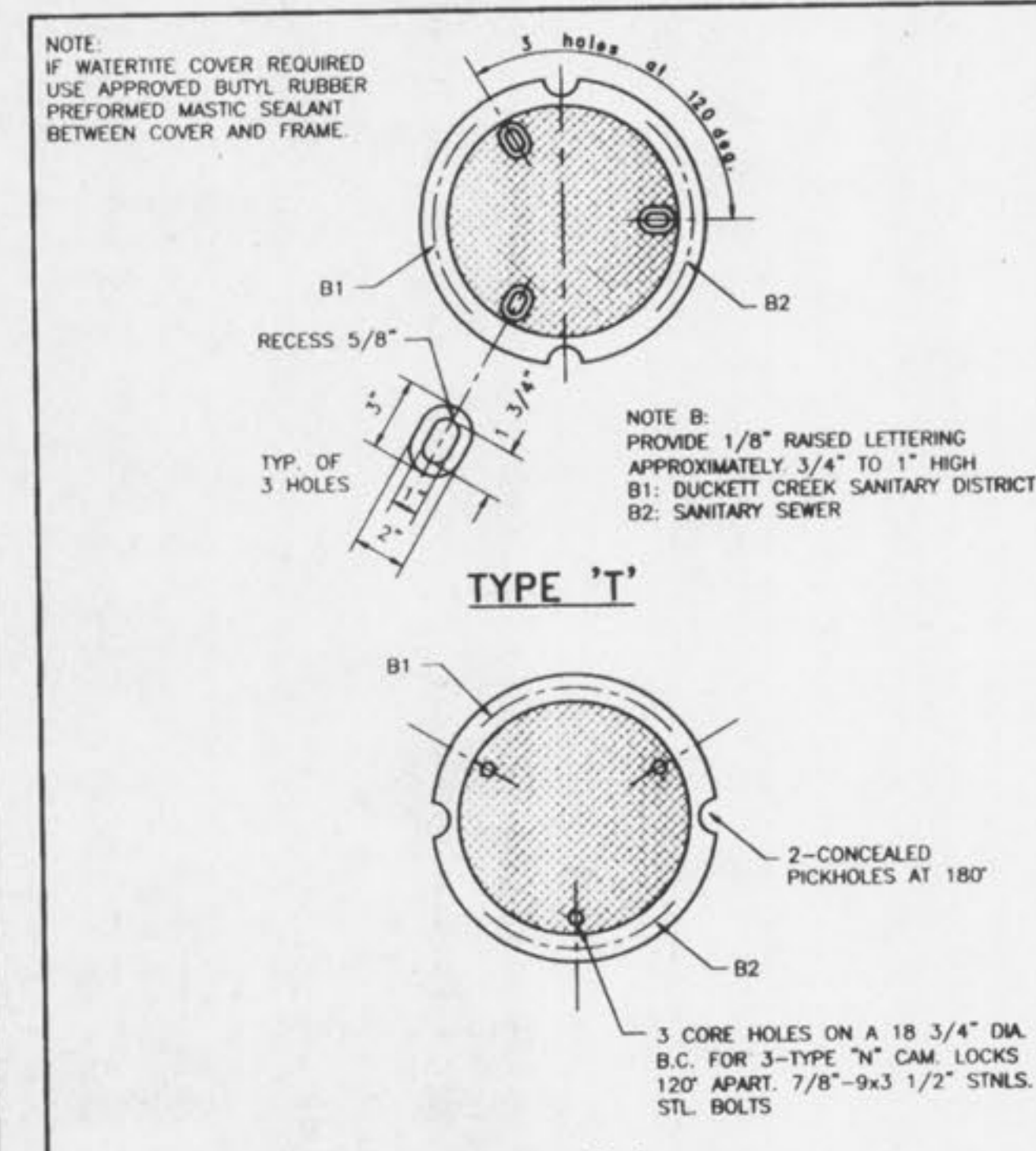
DUCKETT CREEK SANITARY DISTRICT

Drawn By: BSM	App. By: KLA	Detail No. 12
Check By: MDOB	Date: 01-14-00	



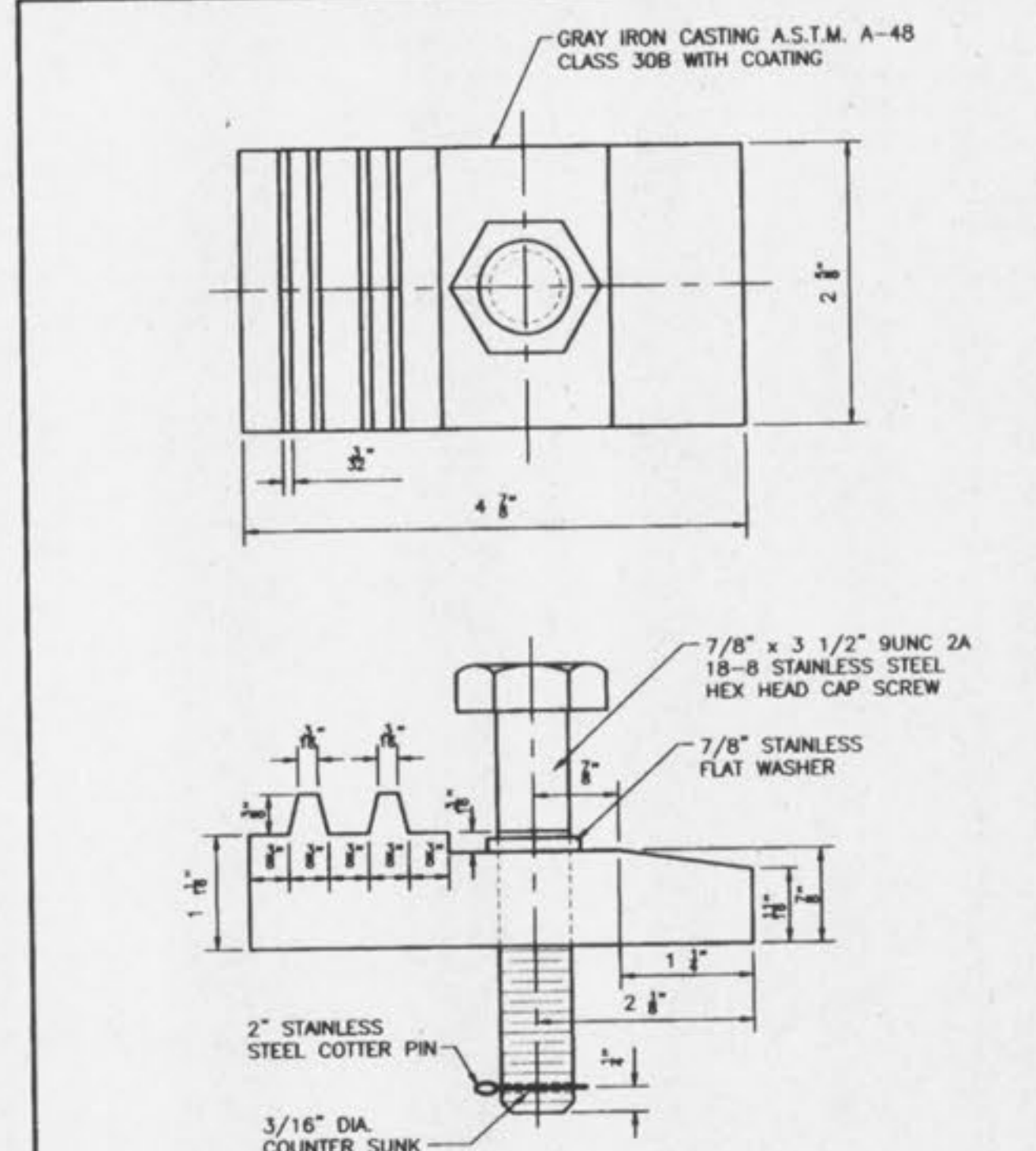
DUCKETT CREEK SANITARY DISTRICT

Drawn By: BSM	App. By: KLA	Detail No. 13
Check By: MDOB	Date: 12-22-00	



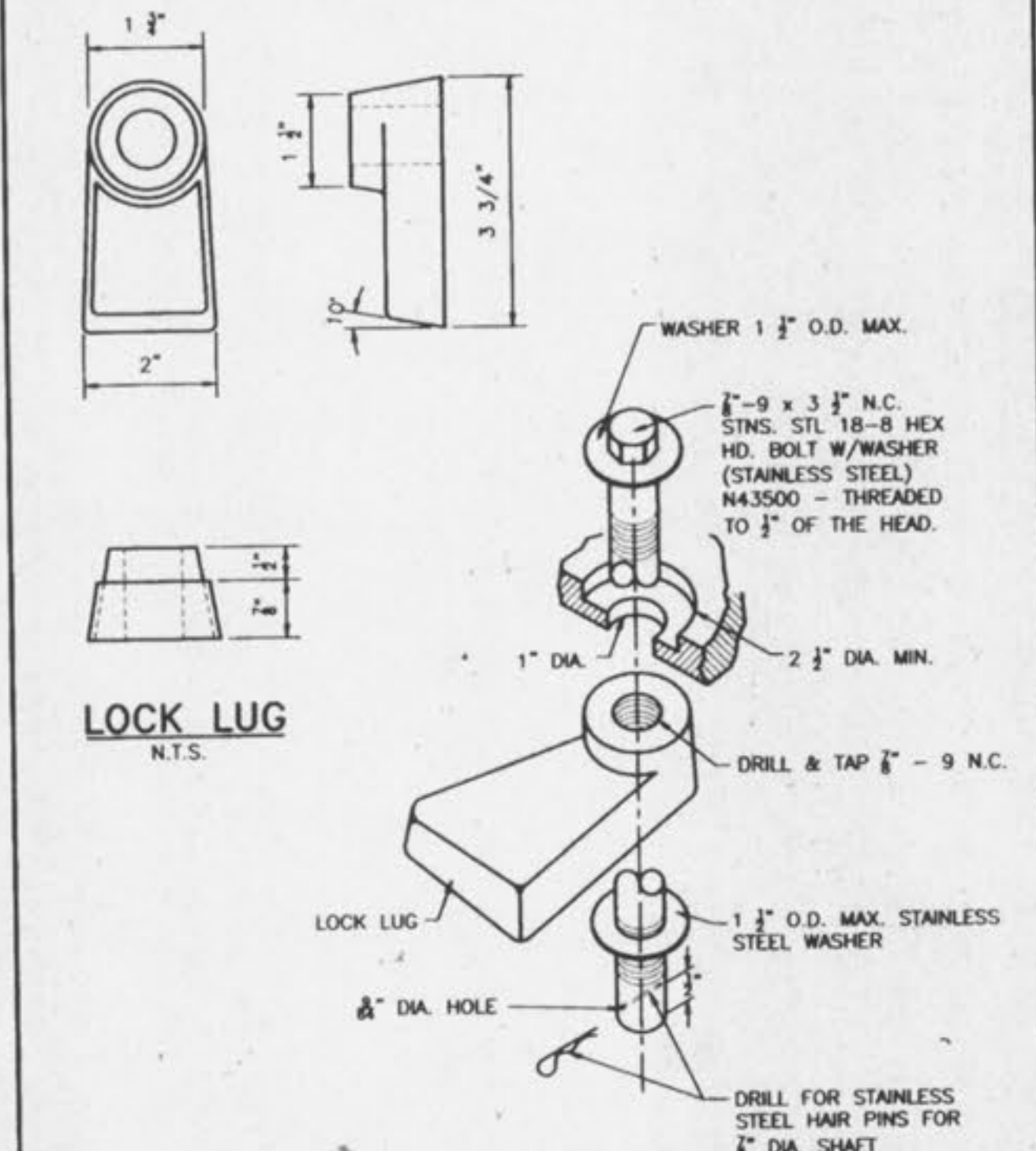
DUCKETT CREEK SANITARY DISTRICT

Drawn By: BSM	App. By: KLA	Detail No. 14
Check By: MDOB	Date: 12-27-00	



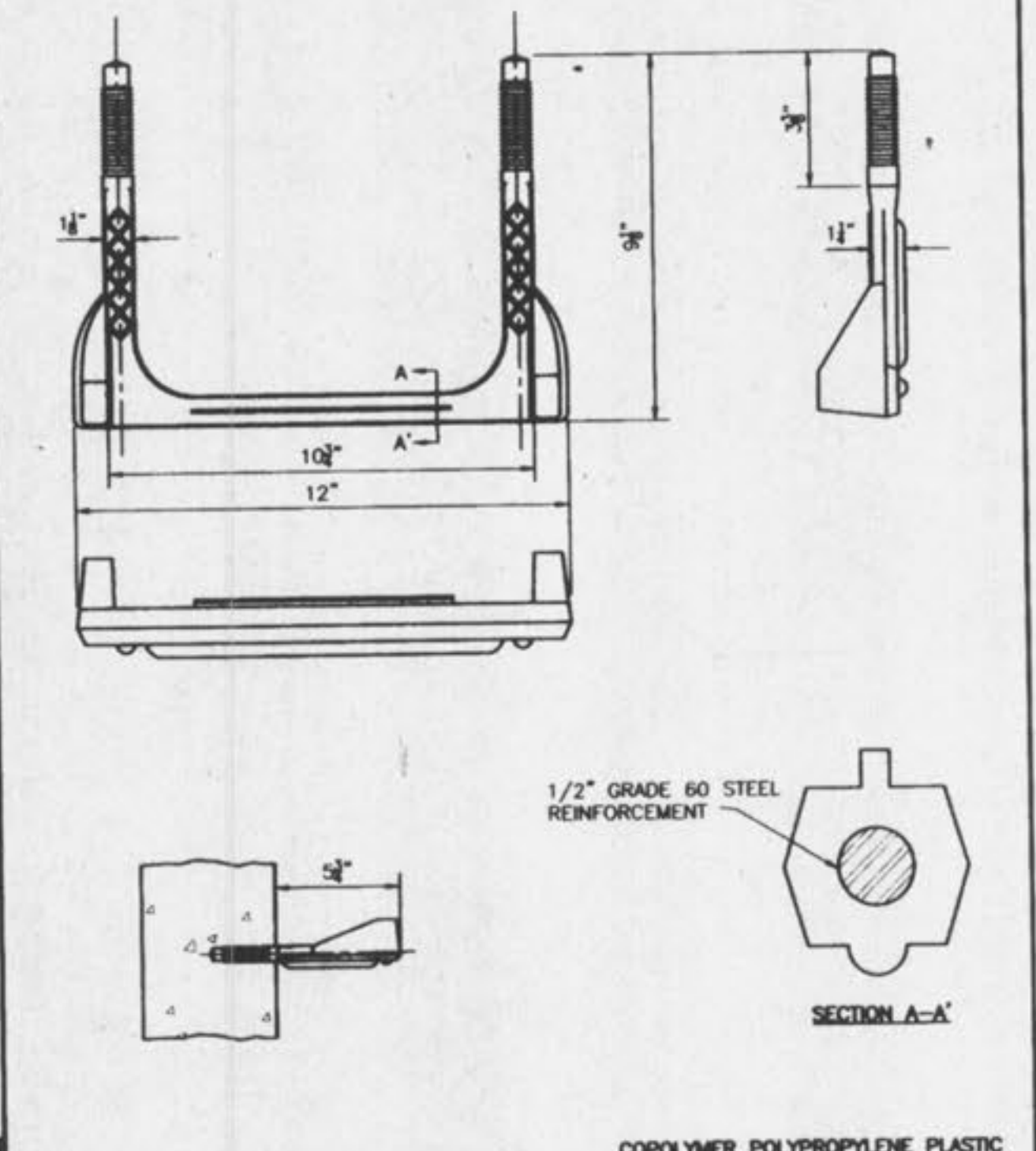
DUCKETT CREEK SANITARY DISTRICT

Drawn By: BSM	App. By: KLA	Detail No. 15
Check By: MDOB	Date: 12-27-00	



DUCKETT CREEK SANITARY DISTRICT

Drawn By: BSM	App. By: KLA	Detail No. 16
Check By: MDOB	Date: 12-28-00	



DUCKETT CREEK SANITARY DISTRICT

Drawn By: BSM	App. By: KLA	Detail No. 18
Check By: MDOB	Date: 1-3-01	

THE UNDERGROUND UTILITIES SHOWN HEREON WERE PLOTTED FROM AVAILABLE INFORMATION AND DO NOT NECESSARILY REFLECT THE ACTUAL EXISTENCE, NONEXISTENCE, SIZE, TYPE, NUMBER OR LOCATION OF THESE OR OTHER UTILITIES. THE GENERAL CONTRACTOR SHALL BE RESPONSIBLE FOR VERIFYING THE ACTUAL LOCATION OF ALL UNDERGROUND UTILITIES, SHOWN OR NOT SHOWN, AND SAID UTILITIES SHALL BE LOCATED IN THE FIELD PRIOR TO ANY GRADING, EXCAVATION OR CONSTRUCTION OF IMPROVEMENTS. THESE PROVISIONS SHALL IN NO WAY ABSOLVE ANY PARTY FROM COMPLYING WITH THE UNDERGROUND FACILITY SAFETY AND DAMAGE PREVENTION ACT, CHAPTER 319, RSMo.

ISSUE	REMARKS/DATE
1	10/19/01 FIRST SUBMITTAL

PREPARED FOR:
GOLDKAP III, L.L.C.
 401 NORTH LINDBERGH BOULEVARD
 ST. LOUIS, MISSOURI 63141
 (314) 432-3088



THE **STERLING CO.**
 ENGINEERS & SURVEYORS
 5045 NEW BALMORNER ROAD
 ST. LOUIS, MISSOURI 63129
 (314)-487-0440 FAX 487-8844
 E-Mail: Sterling@sterling-eng-sur.com

PROJECT: **KENSINGTON PLACE ADDITION**

DRAWN: DESIGNED: CHECKED:

SHEET TITLE: **DCSD DETAILS**

No. 01	01	012
M.S.D.		SHEET
P#		CD6
DATE FILE LOCATED		
DATE OF PLOT		OF