

BENDS	"B"	"C"	"E"	"F"
8"-11 1/4"	8"	10"	12"	10"
8"-22 1/2"	8"	15"	12"	15"
6"-40"	6"	30"	12"	15"
6"-90"	6"	30"	12"	28"
8"-11 1/4"	8"	20"	12"	24"
8"-22 1/2"	8"	22"	12"	16"
8"-40"	8"	31"	12"	24"
8"-90"	8"	38"	12"	36"
12"-11 1/4"	8"	30"	12"	15"
12"-22 1/2"	8"	35"	12"	25"
12"-40"	8"	40"	12"	40"
12"-90"	8"	60"	12"	52"
16"-11 1/4"	12"	28"	24"	28"
16"-22 1/2"	12"	39"	24"	39"
16"-40"	12"	55"	24"	55"
16"-90"	12"	91"	24"	60"
20"-11 1/4"	12"	34"	24"	28"
20"-22 1/2"	12"	48"	24"	39"
20"-40"	12"	74"	24"	53"
20"-90"	12"	138"	24"	60"
24"-11 1/4"	12"	40"	28"	40"
24"-22 1/2"	12"	56"	28"	56"
24"-40"	12"	101"	28"	60"
24"-90"	12"	186"	28"	60"
30"-11 1/4"	12"	49"	34"	49"
30"-22 1/2"	12"	79"	34"	60"
30"-40"	12"	154"	34"	60"
30"-90"	12"	285"	34"	60"

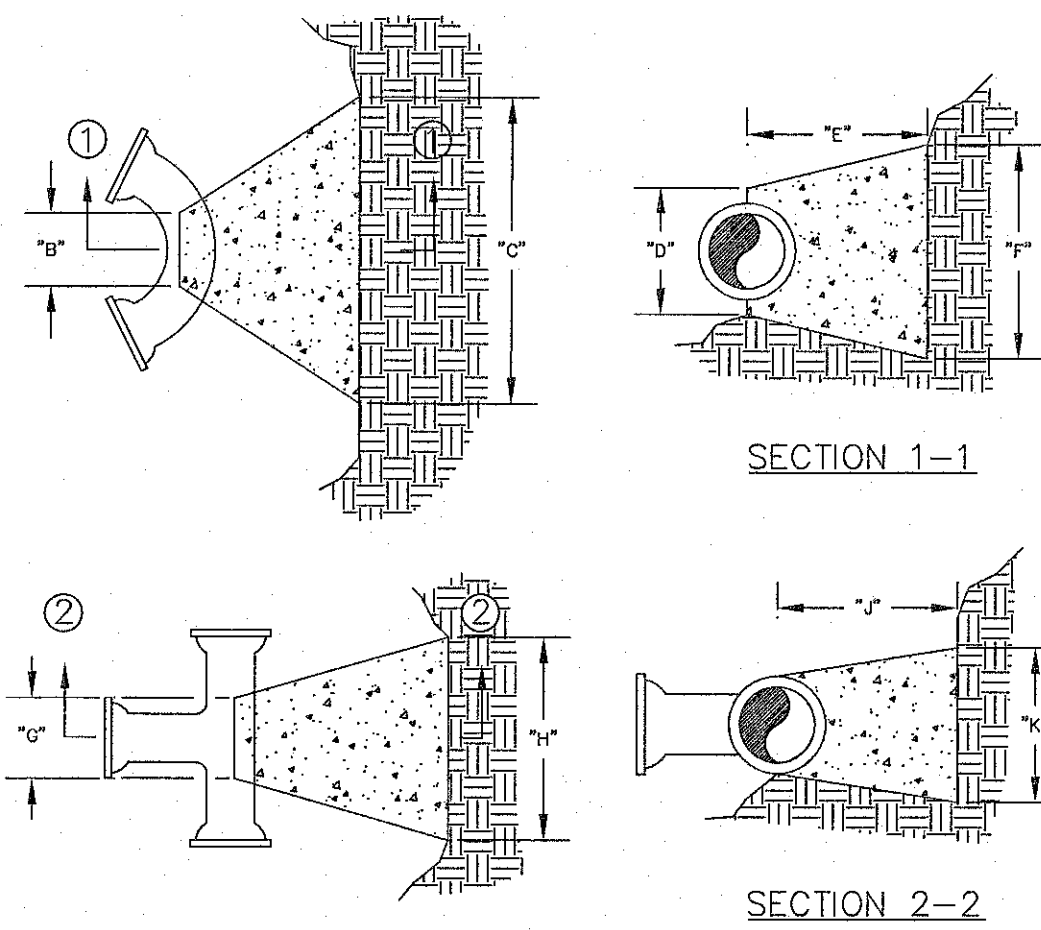
TEES	"A"	"B"	"C"	"D"
6"x6"x6"	12"	24"	24"	18"
6"x8"x6"	12"	24"	24"	18"
6"x8"x8"	12"	27"	24"	27"
6"x8"x8"	12"	27"	24"	27"
12"x12"x6"	12"	24"	24"	18"
12"x12"x8"	12"	27"	24"	27"
12"x12"x12"	12"	38"	24"	38"
24"x24"x18"	18"	55"	28"	55"

- NOTES:
 1. 2" & 4" FITTINGS EQUIVALENT TO 6" FITTINGS.
 2. TAPPING SLEEVES TO HAVE BACKING BLOCKS SAME SIZE AS REQUIRED FOR TEES.
 3. TL = TOTAL LENGTH OF FITTING MINUS CLEARANCE FOR BELLS.

INTERNAL WATER PRESSURE 6" through 12" = 200 psi
 INTERNAL WATER PRESSURE 16" through 30" = 210 psi
 BEARING PRESSURE OF SOIL = 2000 psi

BACKING BLOCKS

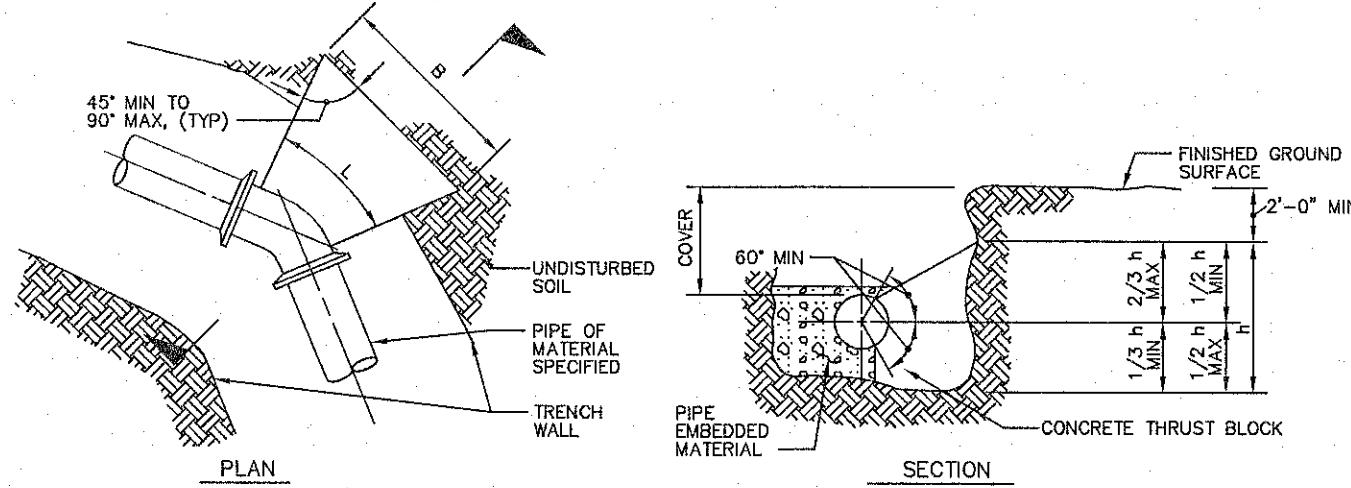
NOT TO SCALE



SECTION 2-2

BACKING BLOCK DETAILS AND LOCATIONS

CITY OF O'FALLON
 ENGINEERING DEPARTMENT
 O'FALLON, MISSOURI



- NOTES:
 1. AREA OF BLOCK, A = BxH. BLOCK AREAS ARE SHOWN ON GENERAL LAYOUT OR TABLE.
 2. B = h = 7/8", EXCEPT WHERE TOP OF BLOCK IS WITHIN 2 FEET FROM GROUND SURFACE, THEN B = A/h.
 3. MINIMUM BLOCK DIMENSION (B & h) SHALL BE AT LEAST 3/4" OF PIPE OD 1 FOOT FOR PIPE OD 12" OR LESS.
 4. THE BOTTOM OF THE BLOCK SHALL EXTEND AT LEAST TO THE BOTTOM OF THE TRENCH IN ALL CASES.
 5. L = FITTING LENGTH MINUS CLEARANCE FOR BELLS.
 6. DETAIL IS SHOWN FOR CAST IRON PIPE; DETAIL IS SIMILAR FOR OTHER TYPES OF PIPE.
 7. DIMENSIONS FOR THRUST BLOCKS FOR FIRE HYDRANT ASSEMBLY ARE SHOWN FIRE HYDRANT ASSEMBLY DETAIL.

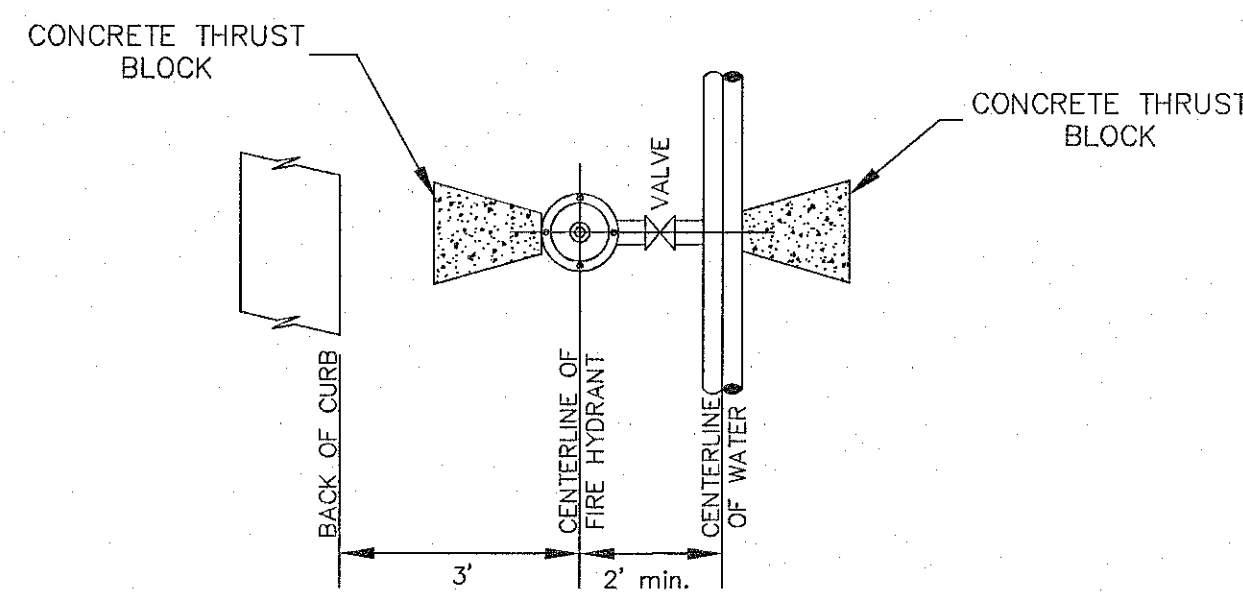
SIZE	BEND	THRUST AREA	B	H
16"	22 1/2"	4 SF	2'	2'
16"	45"	8 SF	2.8'	2.8'

CONCRETE THRUST BLOCKING

NOT TO SCALE

CITY OF O'FALLON
 ENGINEERING DEPARTMENT
 O'FALLON, MISSOURI

CONCRETE THRUST BLOCKING DETAILS



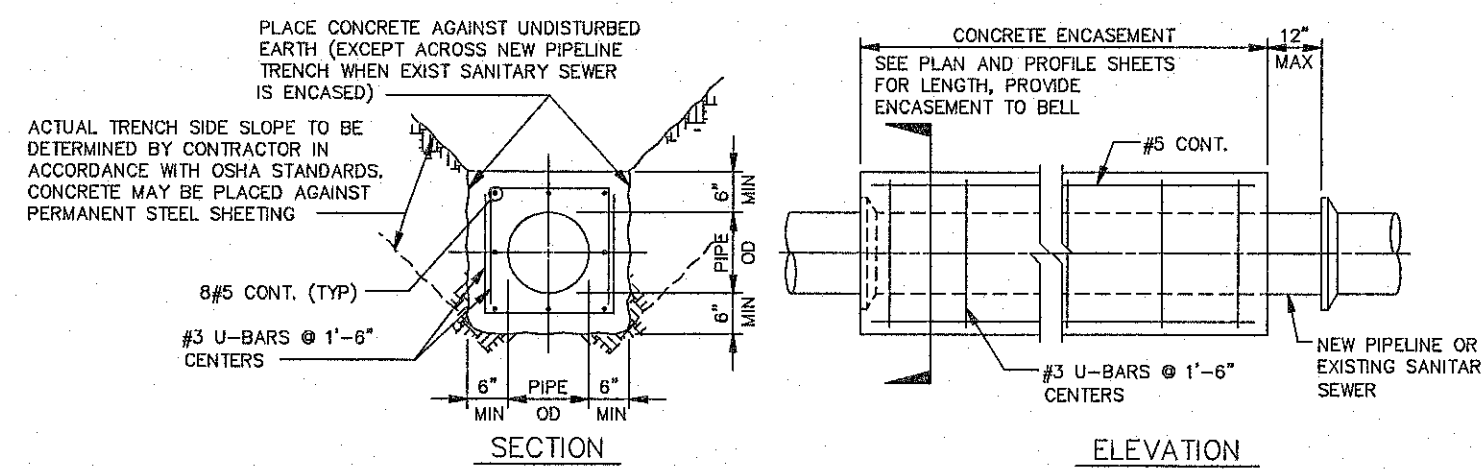
ALL FIRE HYDRANTS SHALL BE 3' OFF BACK OF CURB
 ALL WATER MAINS SHALL BE A MIN. OF 5' OFF BACK OF CURB

TYPICAL WATER MAIN AND FIRE HYDRANT LOCATIONS

NOT TO SCALE

CITY OF O'FALLON
 ENGINEERING DEPARTMENT
 O'FALLON, MISSOURI

WATER MAIN FIRE HYDRANT DETAIL



SECTION

ELEVATION

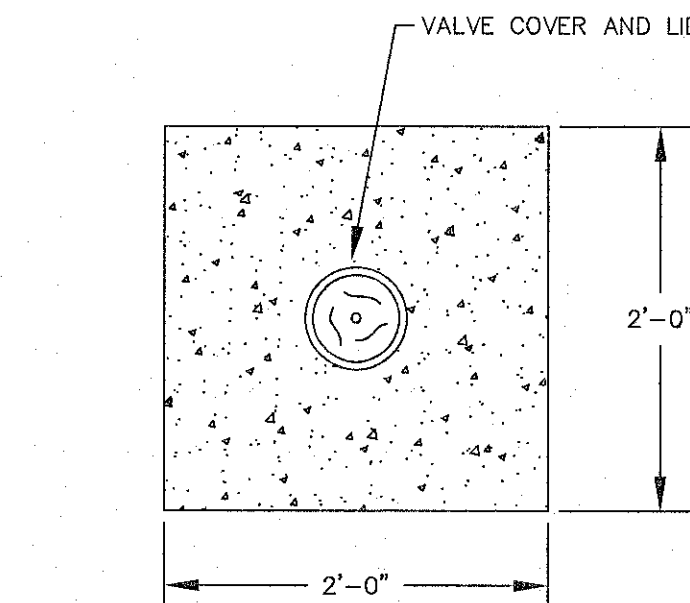
- NOTES:
 1. AT LOCATIONS WHERE THE TRANSMISSION MAIN CROSSES AN EXISTING SANITARY SEWER, SEE SPECIFICATIONS FOR ADDITIONAL REQUIREMENTS.
 2. WHEN THE PIPELINE IS PROTECTED WITH POLYETHYLENE TUBE ENCASEMENT, THE CONCRETE ENCASEMENT IS TO COVER THE POLYETHYLENE ENCASEMENT.

CONCRETE ENCASEMENT

NO SCALE

CITY OF O'FALLON
 ENGINEERING DEPARTMENT
 O'FALLON, MISSOURI

CONCRETE ENCASEMENT DETAILS



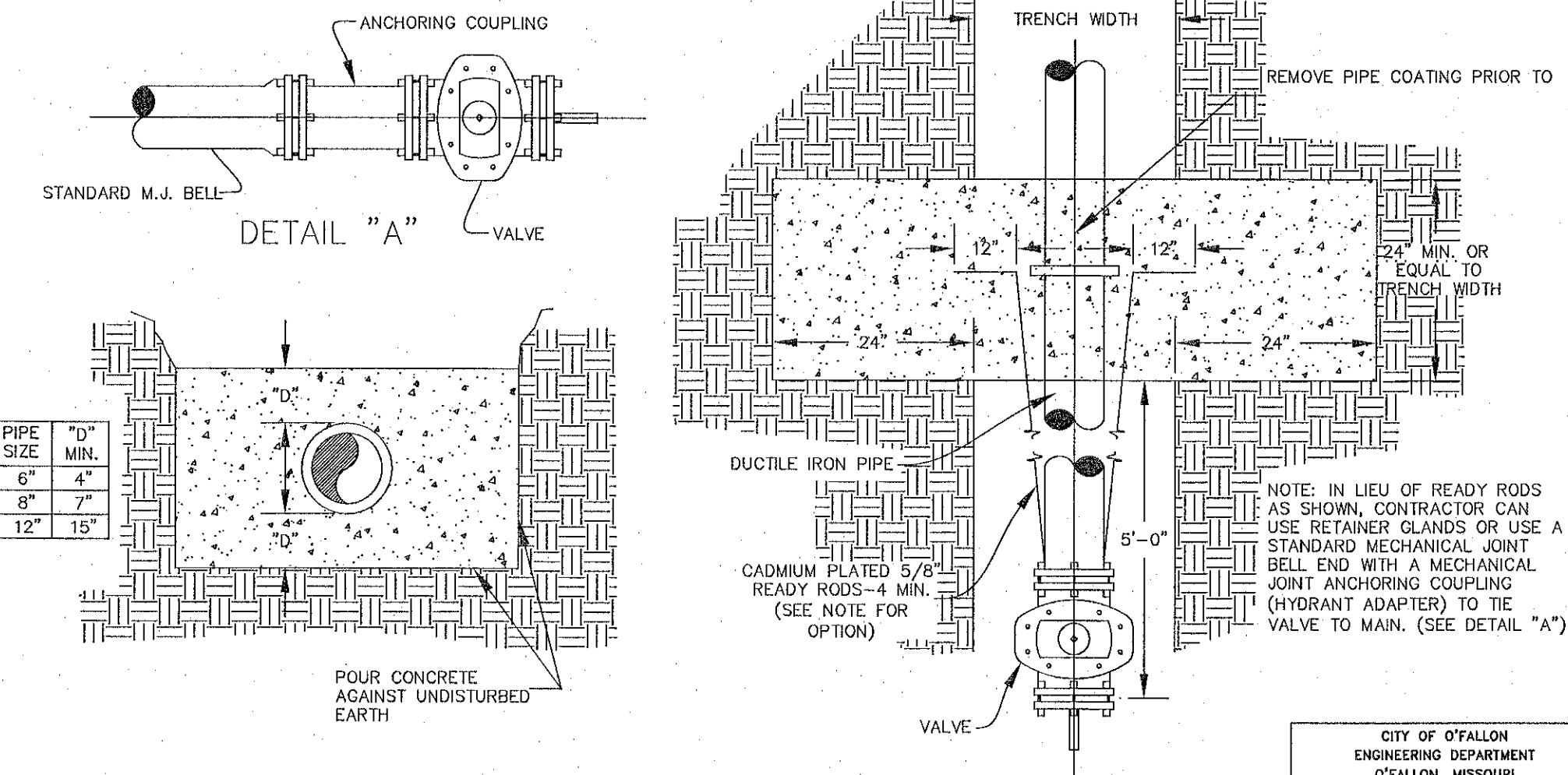
TOP VIEW CONCRETE COLLAR

NOT TO SCALE

- NOTE: 1. Concrete collar joint pattern is required in paved areas such as roadways, driveways, sidewalks or other areas of paved surfaces.
 2. Concrete collars are optional in other non-paved areas.

CITY OF O'FALLON
 ENGINEERING DEPARTMENT
 O'FALLON, MISSOURI

CONCRETE COLLAR DETAIL



DETAIL "A"

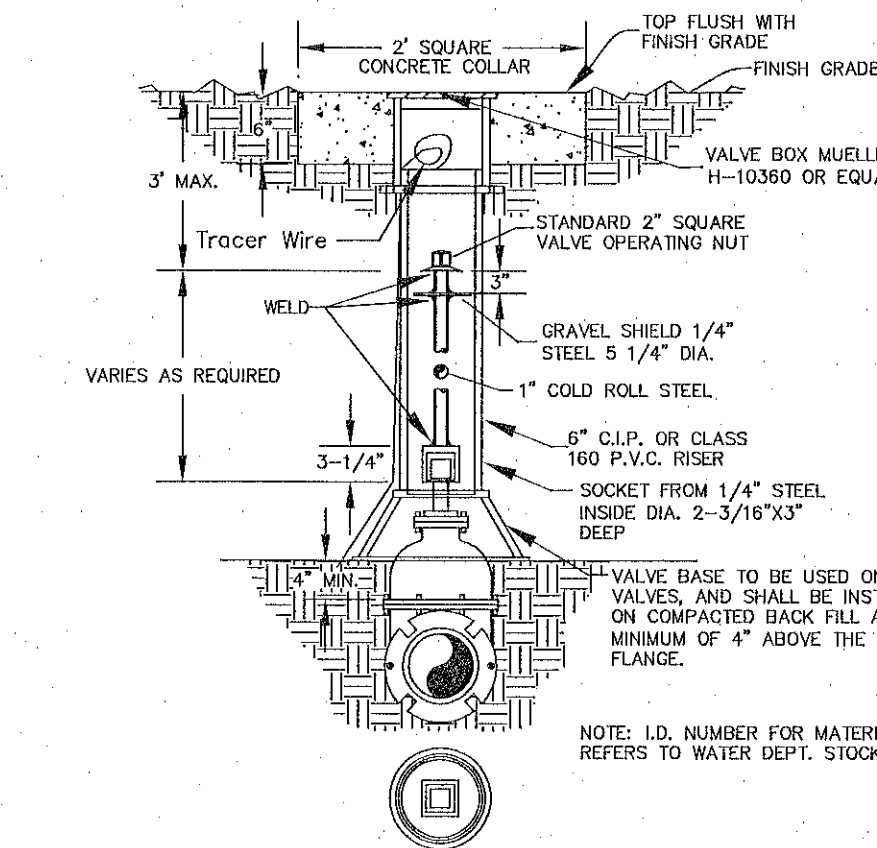
STRADDLE BLOCK DETAIL

NOT TO SCALE

CITY OF O'FALLON
 ENGINEERING DEPARTMENT
 O'FALLON, MISSOURI

STRADDLE BLOCK DETAILS

Concrete collar will be in accordance with the Concrete collar detail.

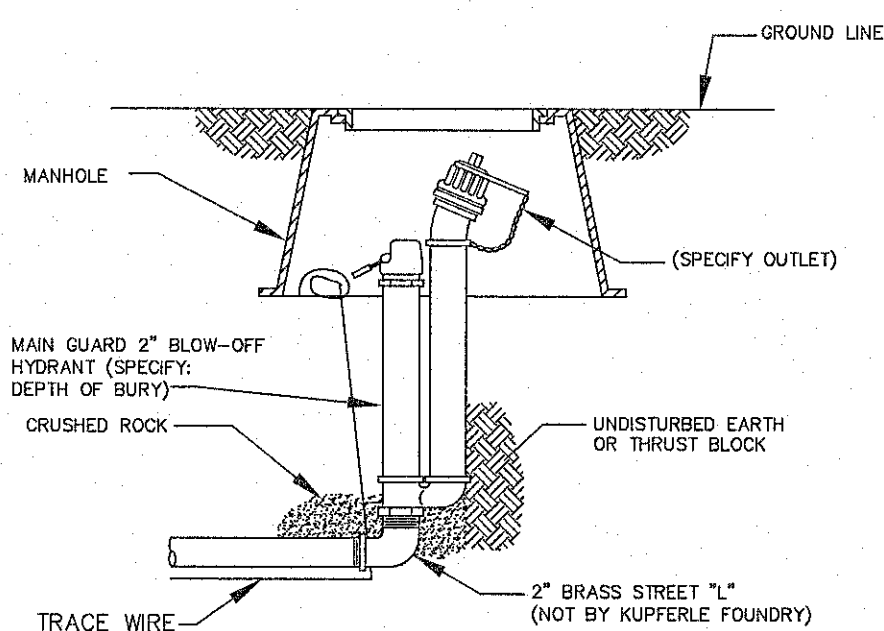


WATER VALVE DETAIL

NOT TO SCALE

CITY OF O'FALLON
 ENGINEERING DEPARTMENT
 O'FALLON, MISSOURI

WATER VALVE DETAIL



BLOW-OFF HYDRANT

NOT TO SCALE

CITY OF O'FALLON
 ENGINEERING DEPARTMENT
 O'FALLON, MISSOURI

BLOW-OFF HYDRANT DETAIL

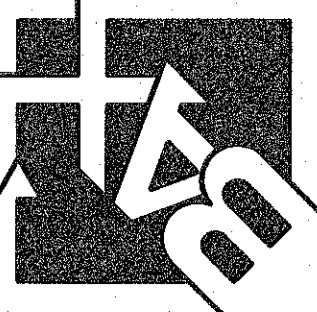
ENGINEERS SEAL DOES NOT APPLY TO CITY OF O'FALLON DETAILS ON THIS SHEET.

PROJECT TITLE:

**KEYSTONE
 RIDGE**

ENGINEERING
 PLANNING
 SURVEYING

221 Point. View Blvd.
 St. Charles, MO 63501
 636-928-5656
 FAX 636-928-1718



DISCLAIMER OF RESPONSIBILITY
 I hereby specify that the documents intended to be authorized by my seal are limited to this sheet, and I hereby disclaim any responsibility for all other Drawings, Specifications, Estimates, Reports or other documents or instruments relating to or intended to be used for any part or parts of the architectural or engineering project or survey.

REVISIONS

DATE	CITY COMMENTS
05/01/17	CITY COMMENTS
07/20/17	CITY COMMENTS
08/07/17	CITY COMMENTS
08/21/17	CITY COMMENTS
08/31/17	CITY COMMENTS
10/02/17	CITY COMMENTS

Developer / Owner:

KEYSTONE RIDGE LAND, LLC
 10328 LAKE BLUFF DRIVE
 ST. LOUIS, MO 63123
 314-892-3030 EXT. 121

REFERENCE DETAILS

P+Z No. #32-16

City No. #

Page No.

28 of 33