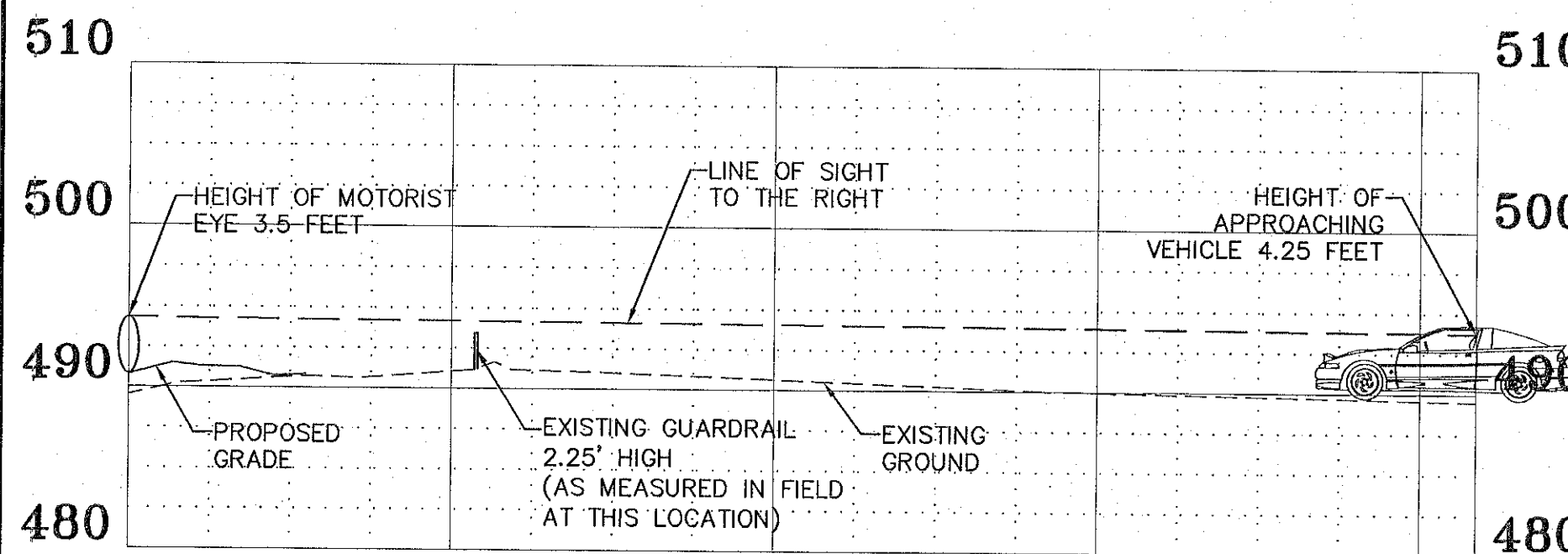
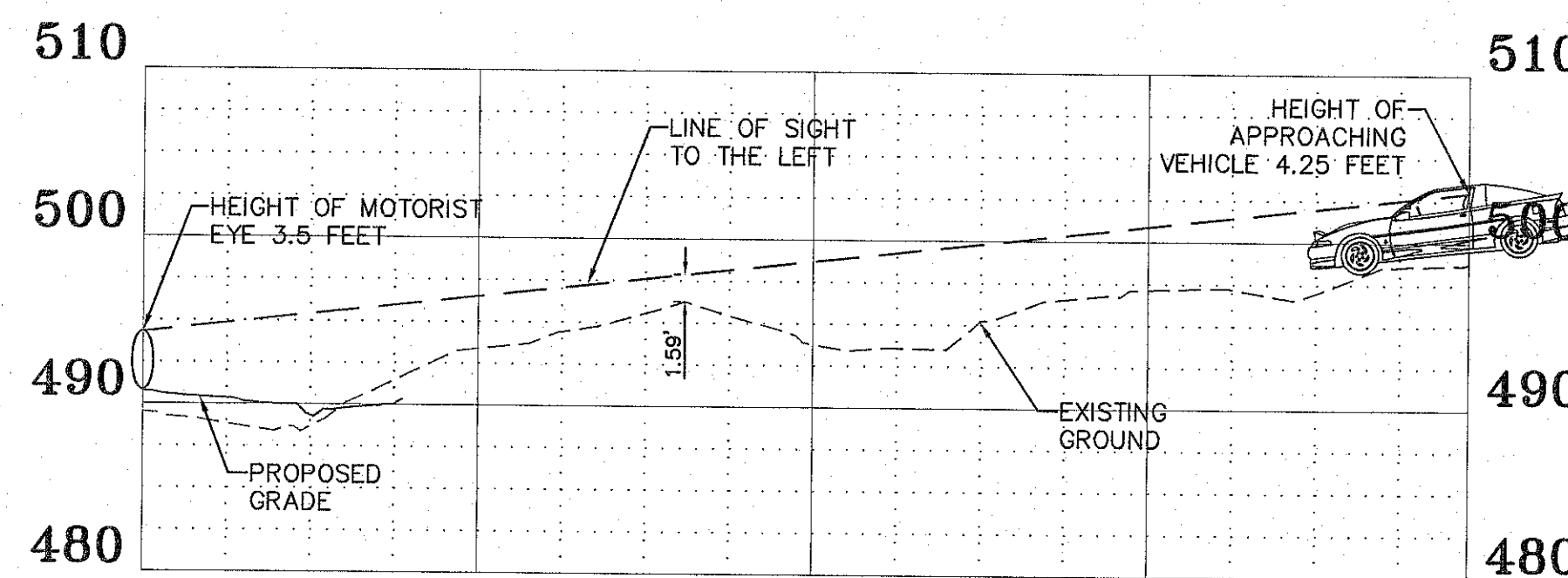


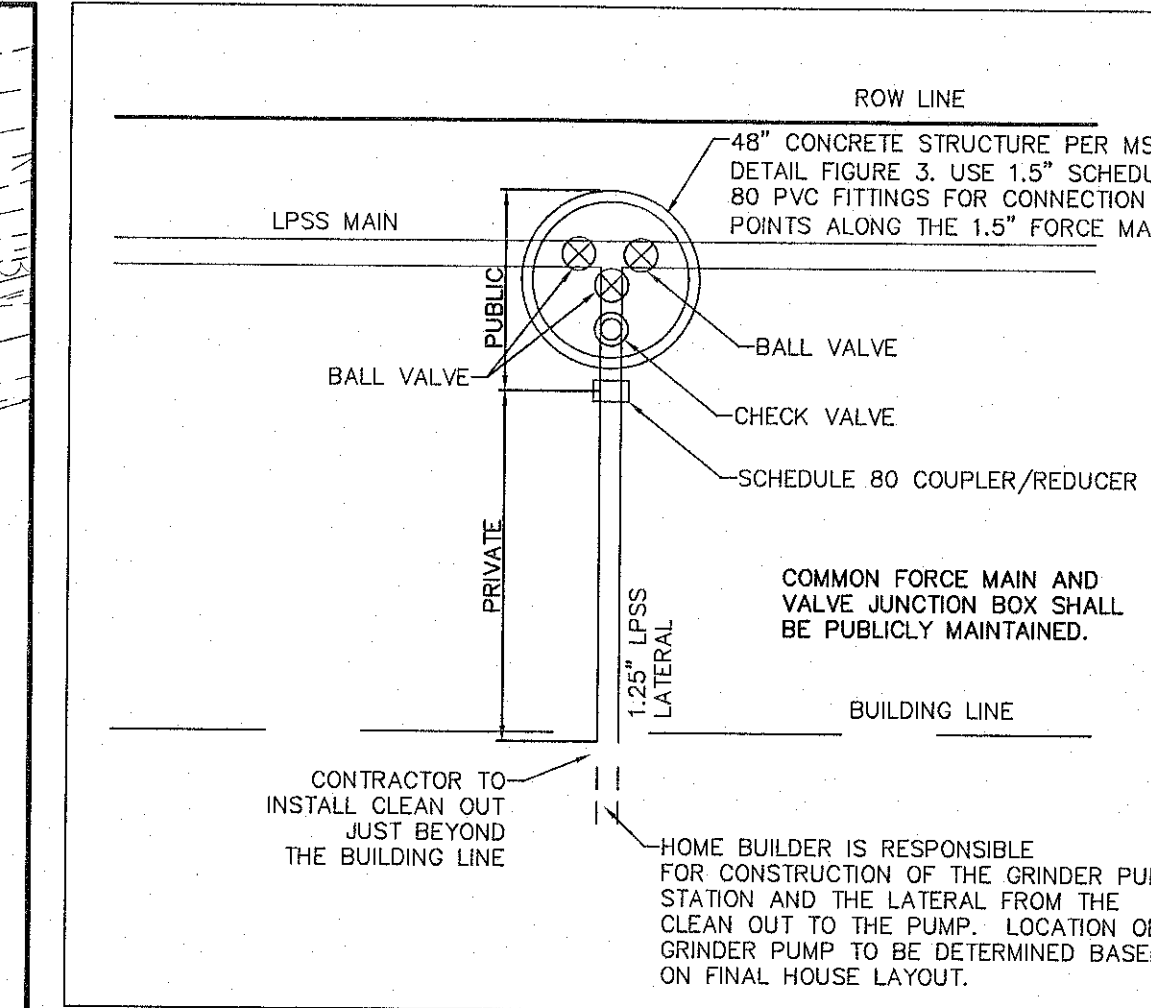
**SIGHT DISTANCE DETAIL**  
SCALE: 1" = 50'



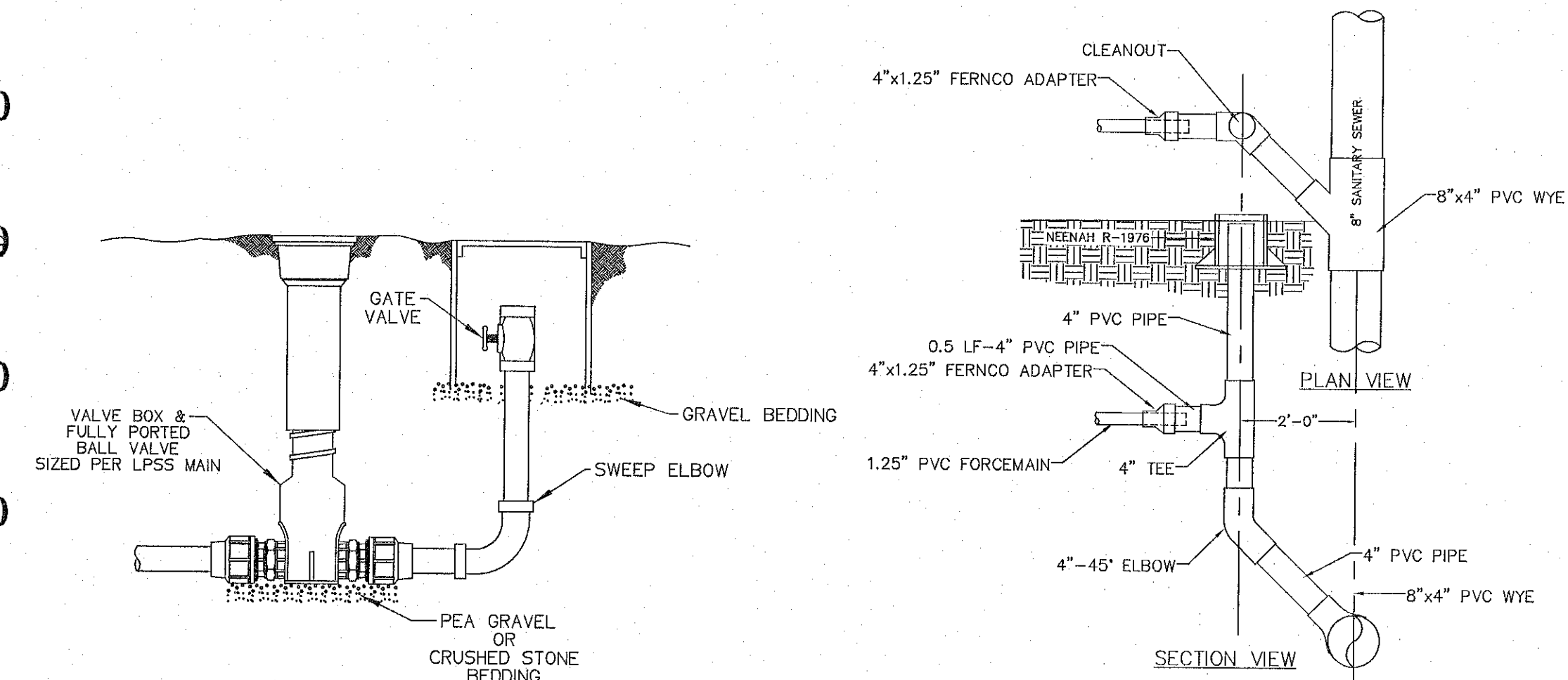
**SIGHT DISTANCE - LOOKING RIGHT**  
DESIGN SPEED-40 MPH  
SCALES:  
HORIZ. 1"=50'  
VERT. 1"=10'



**SIGHT DISTANCE - LOOKING LEFT**  
DESIGN SPEED-40 MPH  
SCALES:  
HORIZ. 1"=50'  
VERT. 1"=10'



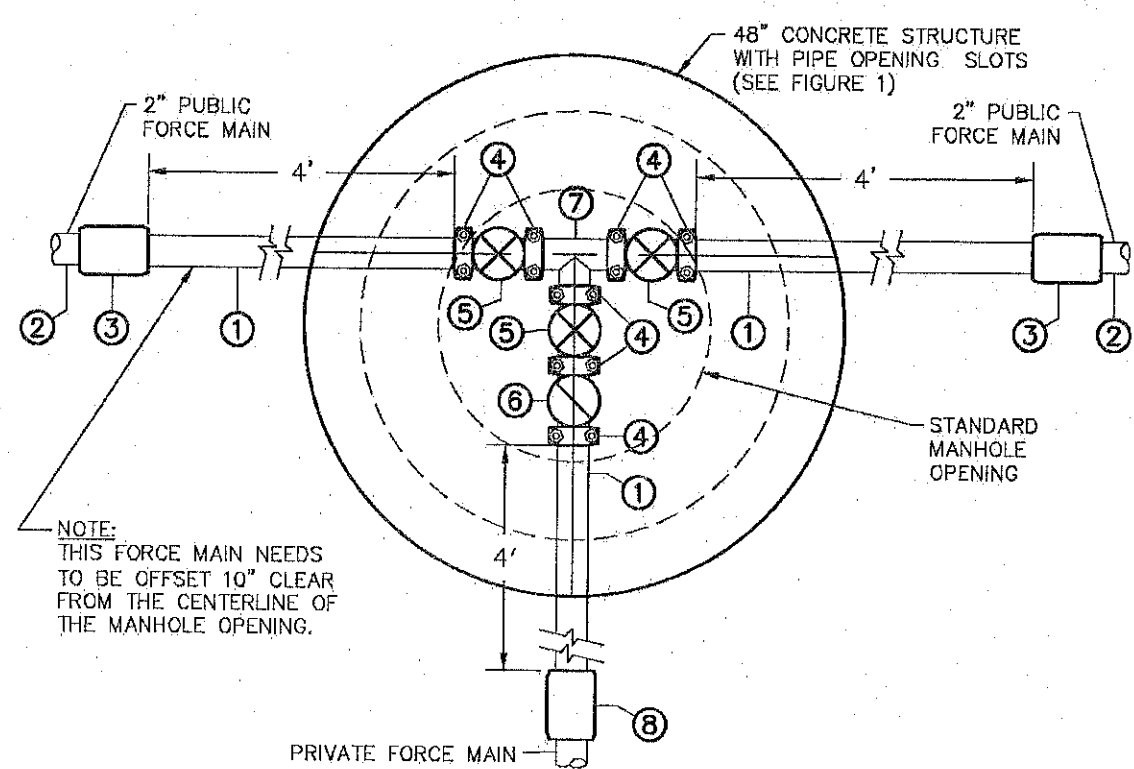
**LPSS LATERAL TO FORCE MAIN CONNECTION DETAIL**  
NOT TO SCALE



**TYPICAL TERMINAL FLUSHING CONNECTION**  
NOT TO SCALE

**LPSS FORCE MAIN/LATERAL CONNECTION TO GRAVITY SEWER**  
NOT TO SCALE

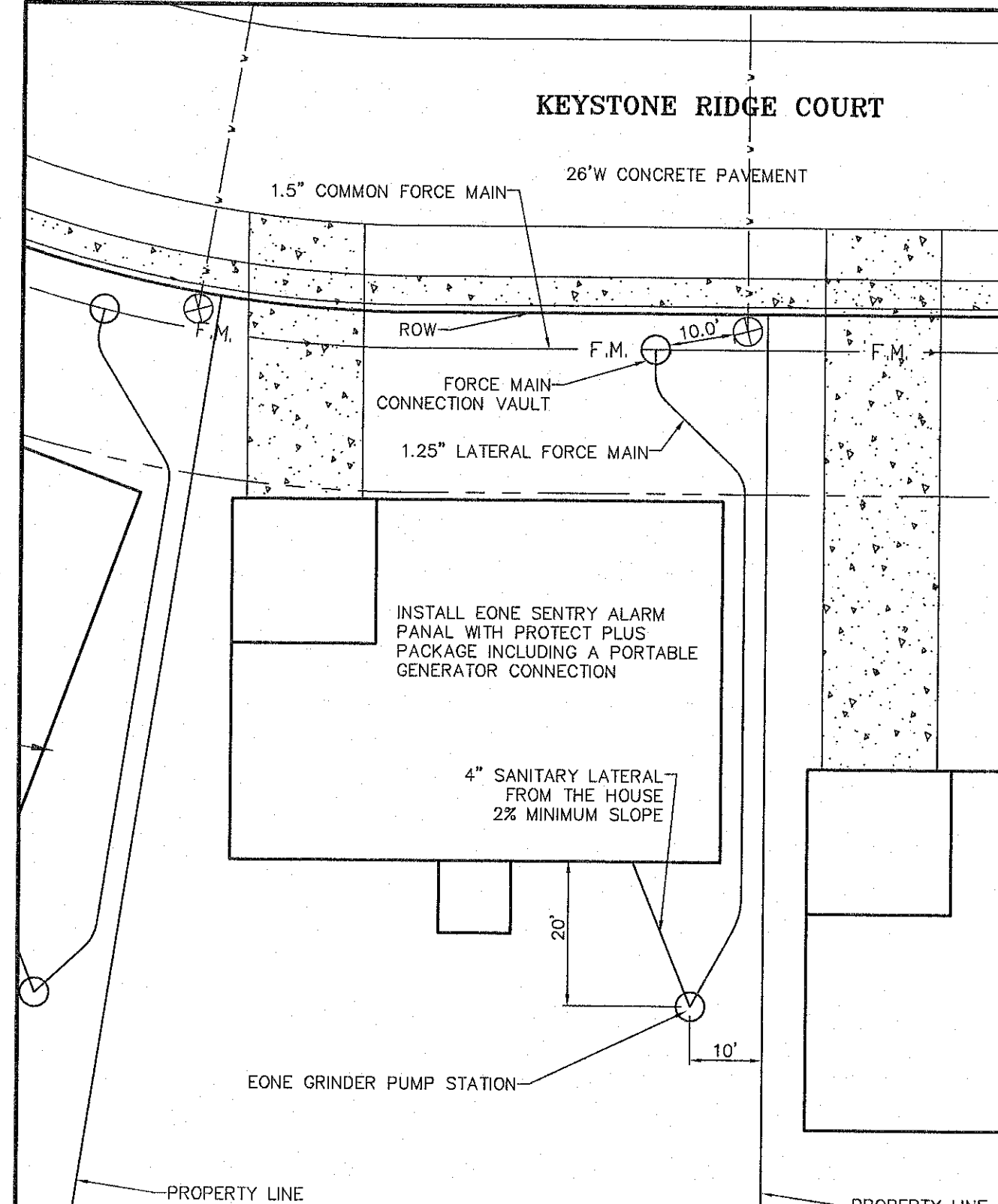
- ① 2" PVC PIPE SCHEDULE 80 GRV X PE
- ② 2" SDR 21 PVC
- ③ 2" SCHEDULE 80 PVC COUPLING
- ④ 2" VICTAULIC NO. 75 FLEXIBLE COUPLING
- ⑤ 2" VICTAULIC NO. 726 BALL VALVE
- ⑥ 2" VICTAULIC NO. 712 CHECK VALVE
- ⑦ 2 X 2 TEE IPS VICTAULIC NO. 20 TNM 140
- ⑧ 2" SCHEDULE 80 SOLVENT WELD COUPLING WITH REDUCER BUSHING TO LATERAL SIZE



NOTES:  
1) USE STAINLESS STEEL BOLTS AT ALL FLANGED CONNECTIONS.  
2) STAMPED ALUMINUM IDENTIFICATION TAGS MUST BE WIRED TO EACH VALVE. THEY ARE TO IDENTIFY THE 2" VALVES AS "MSD UPSTREAM", "MSD DOWNSTREAM" AND "PRIVATE SERVICE". THE ADDRESS OF THE LATERAL SHALL BE CLEARLY STAMPED ON THE PRIVATE VALVE TAG.

PLAN VIEW VALVE JUNCTION BOX 2" FORCE MAIN	METROPOLITAN ST. LOUIS SEWER DISTRICT Standard Details of Sewer Construction Dr. D.H.R. Ch. S.D.K.	2009	FIGURE 3
--	---	------	----------

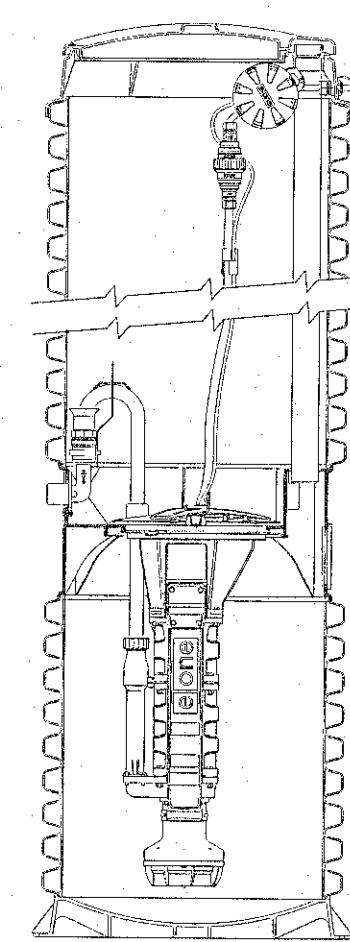
\*\*DETAIL FOR REFERENCE. USE FORCE MAIN SIZE AND CORRESPONDING FITTINGS SIZE SHOWN ON THE FORCE MAIN PROFILE.



**TYPICAL GRINDER PUMP/LATERAL FORCE MAIN LAYOUT**  
SCALE: 1" = 20'

**E/ONE  
EXTREME**

**DH071/DR071**



Patent Numbers: 5,752,315  
5,562,254 5,439,180

NA0050P01 Rev C

**General Features**

The model DH071 or DR071 grinder pump station is a complete unit that includes: the grinder pump, check valve, HDPE (high density polyethylene) tank, controls, and alarm panel. A single DH071 or DR071 is a popular choice for one, average single-family home and can also be used for up to two average single-family homes where codes allow and with consent of the factory.

- Rated for flows of 700 gpd (2650 lpd)
- 70 gallons (265 liters) of capacity
- Indoor or outdoor installation
- Standard outdoor heights range from 61 inches to 160 inches

The DH071 is the "hardwired," or "wired," model where a cable connects the motor controls to the level controls through watertight penetrations.

The DR071 is the "radio frequency identification" (RFID), or "wireless," model that uses wireless technology to communicate between the level controls and the motor controls.

**Operational Information**

**Motor**  
1 hp, 1,725 rpm, high torque, capacitor start, thermally protected, 120/240V, 60 Hz, 1 phase

**Inlet Connections**  
4-inch inlet grommet standard for DWV pipe. Other inlet configurations available from the factory.

**Discharge Connections**  
Pump discharge terminates in 1.25-inch NPT female thread. Can easily be adapted to 1.25-inch PVC pipe or any other material required by local codes.

**Discharge**  
15 gpm at 0 psig (0.95 lps at 0 m)  
11 gpm at 40 psig (0.69 lps at 28 m)  
7.8 gpm at 80 psig (0.49 lps at 56 m)

**Accessories**

E/One requires that the Uni-Lateral, E/One's own stainless steel check valve, be installed between the grinder pump station and the street main for added protection against backflow.

Alarm panels are available with a variety of options, from basic monitoring to advanced notice of service requirements.

The Remote Sentry is ideal for installations where the alarm panel may be hidden from view.

**E/ONE  
EXTREME**

**E/One Sentry™**

**Alarm Panel — Protect Plus Package**

**Description**

The E/One Sentry panels are custom designed for use with Environment One grinder pump stations. They can be configured to meet the needs of your application, from basic alarm indication to advanced warning of pending service requirements.

E/One Sentry panels are supplied with audible and visual high level alarms. They are easily installed in accordance with relevant national and local codes. Standard panels are approved by UL, CSA, CE and NSF to ensure high quality and safety.

The panel features a corrosion-proof, NEMA 4X-rated, thermoplastic enclosure. A padlock is provided to prevent unauthorized entry (safety front).

**Standard Features**

Includes all features of the basic configuration of the E/One Sentry panel, including circuit breakers, 240 or 120 VAC service, terminal blocks and ground lugs, audible alarm with manual silence, manual run feature and run indicator, redundant "Star" function with high level alarm, safety front, conformal-coated board and overload protection.

Includes all of the features of the E/One Sentry Protect package, including a Trouble indication that shuts down the pump temporarily in the event of an unacceptable operating condition (brownout, system overpressure, run dry), as well as:

- Predictive status display module
- Pre-alarm indication for major operating parameters
- Alarm indications for major operating parameters
- Hour meter, cycle counter and alarm delay
- LCD display and user-friendly interface
- Inner cover (dead front)
- Contact group — dry and Remote Sentry

**Optional Features**

- Generator receptacle with auto transfer
- GFCI
- Main service disconnect

Please consult factory for special applications.

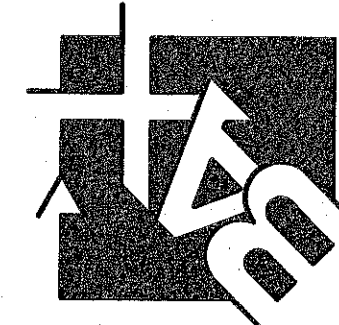
PROVIDE PORTABLE GENERATOR CONNECTION

NA0079P01 Rev. B

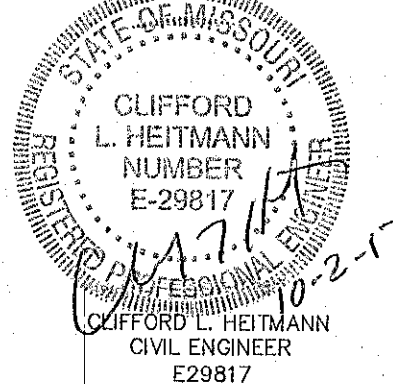
PROJECT TITLE:

**KEYSTONE  
RIDGE**

ENGINEERING  
PLANNING  
SURVEYING  
221 Point West Blvd.  
St. Charles, MO 63301  
636-928-5502  
FAX 636-928-1718



DISCLAIMER OF RESPONSIBILITY  
I hereby specify that the documents intended to be authenticated by my seal are limited to this sheet, and I hereby disclaim any responsibility for all other drawings, specifications, estimates, reports or other documents or instruments relating to or intended to be used for any part or parts of the architectural or engineering project.



2016  
Copyright  
Box Engineering Company, Inc.  
Authority No. 00055  
All Rights Reserved

**REVISIONS**

DATE	REVISION
05/01/17	CITY COMMENTS
07/20/17	CITY COMMENTS
08/07/17	CITY COMMENTS
08/21/17	CITY COMMENTS
08/31/17	CITY COMMENTS
10/02/17	CITY COMMENTS

Developer / Owner:

KEYSTONE RIDGE LAND, LLC  
10328 LAKE BLUFF DRIVE  
ST. LOUIS, MO 63123  
314-892-3030 EXT. 121

P+Z No.

#32-16

City No.

#

Page No.

32 of 33

SIGHT DISTANCE/LPSS DETAILS