

* The discharge point of all flared end sections shall be protected by rip rap or other approved means.

** Rip rap shown at flared end sections will be evaluated in the field by the Engineer, Contractor, and City Inspectors after installation for effectiveness and field modified, if necessary to reduce erosion on and off site.

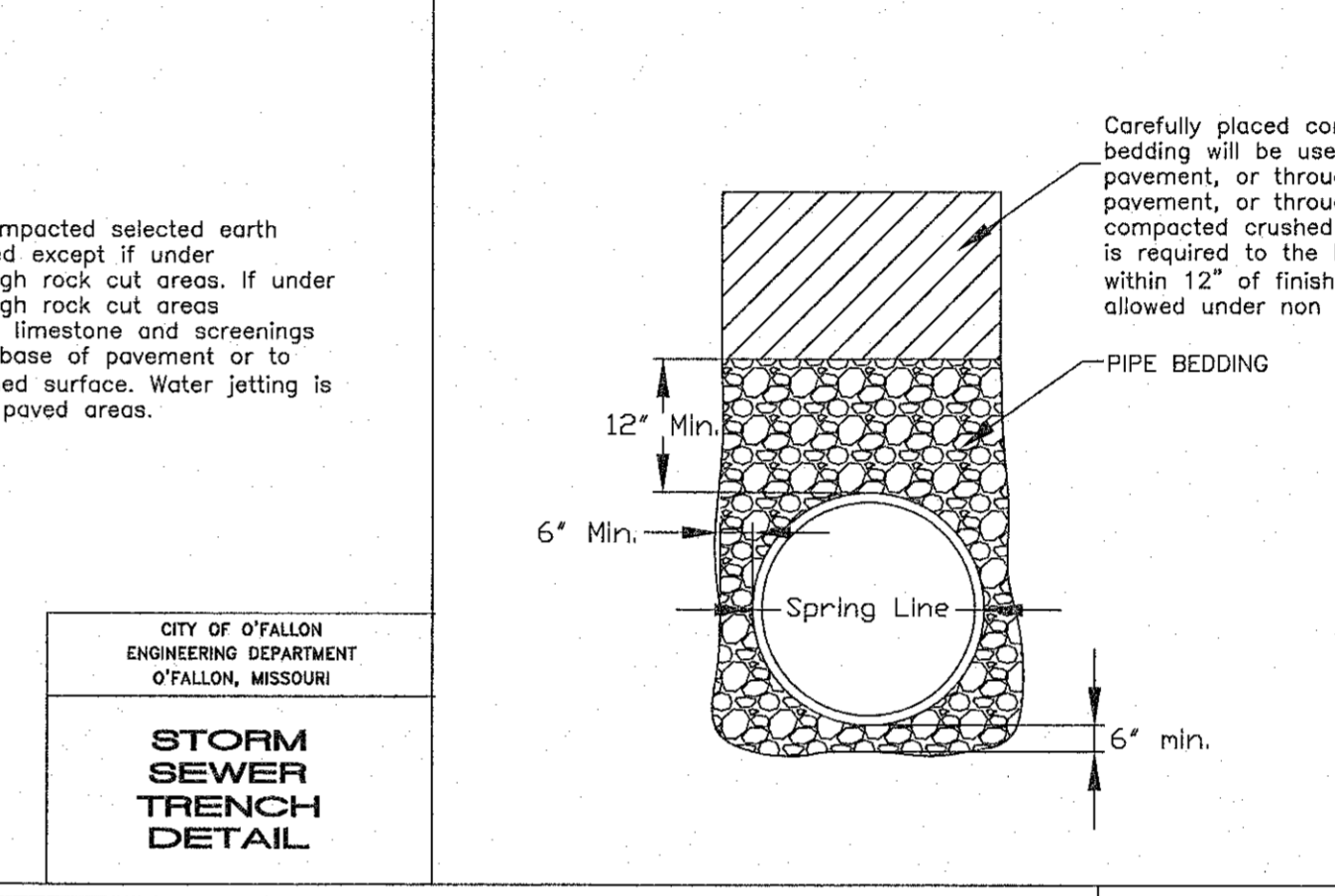
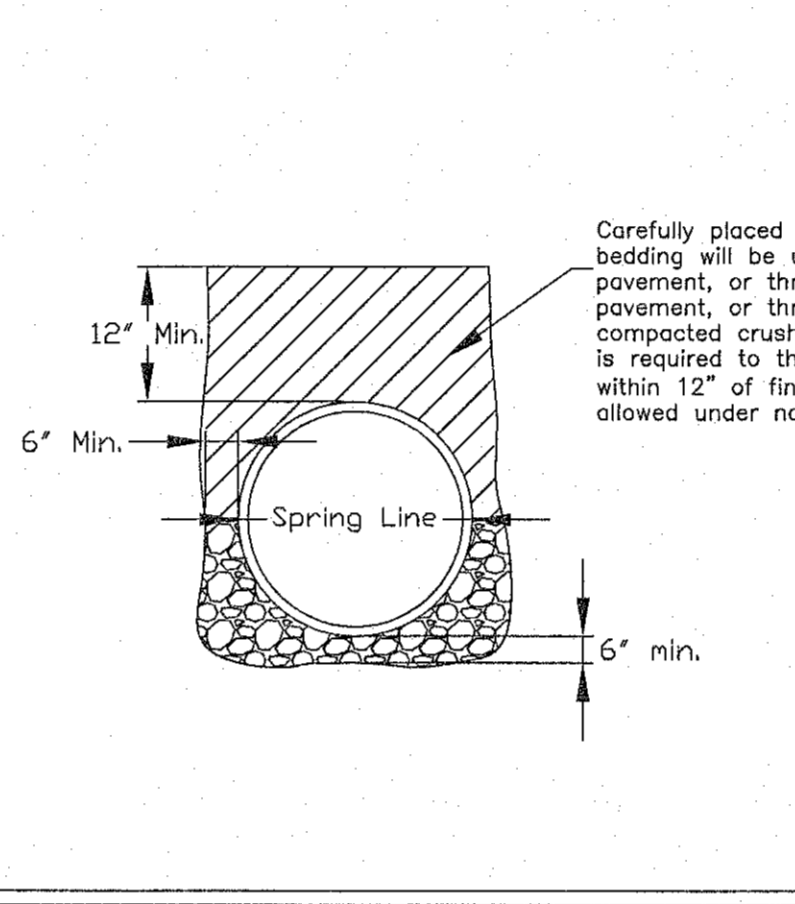
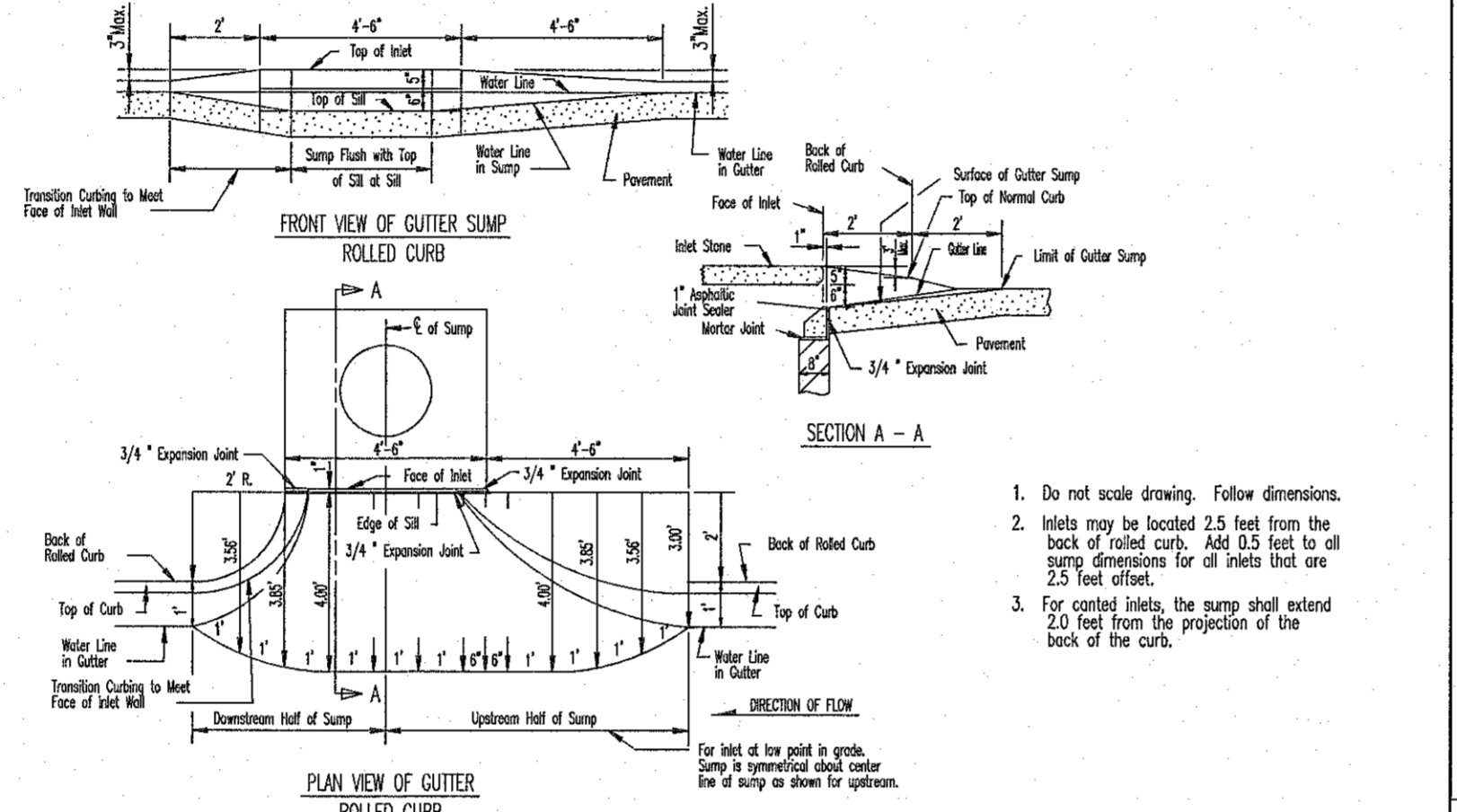
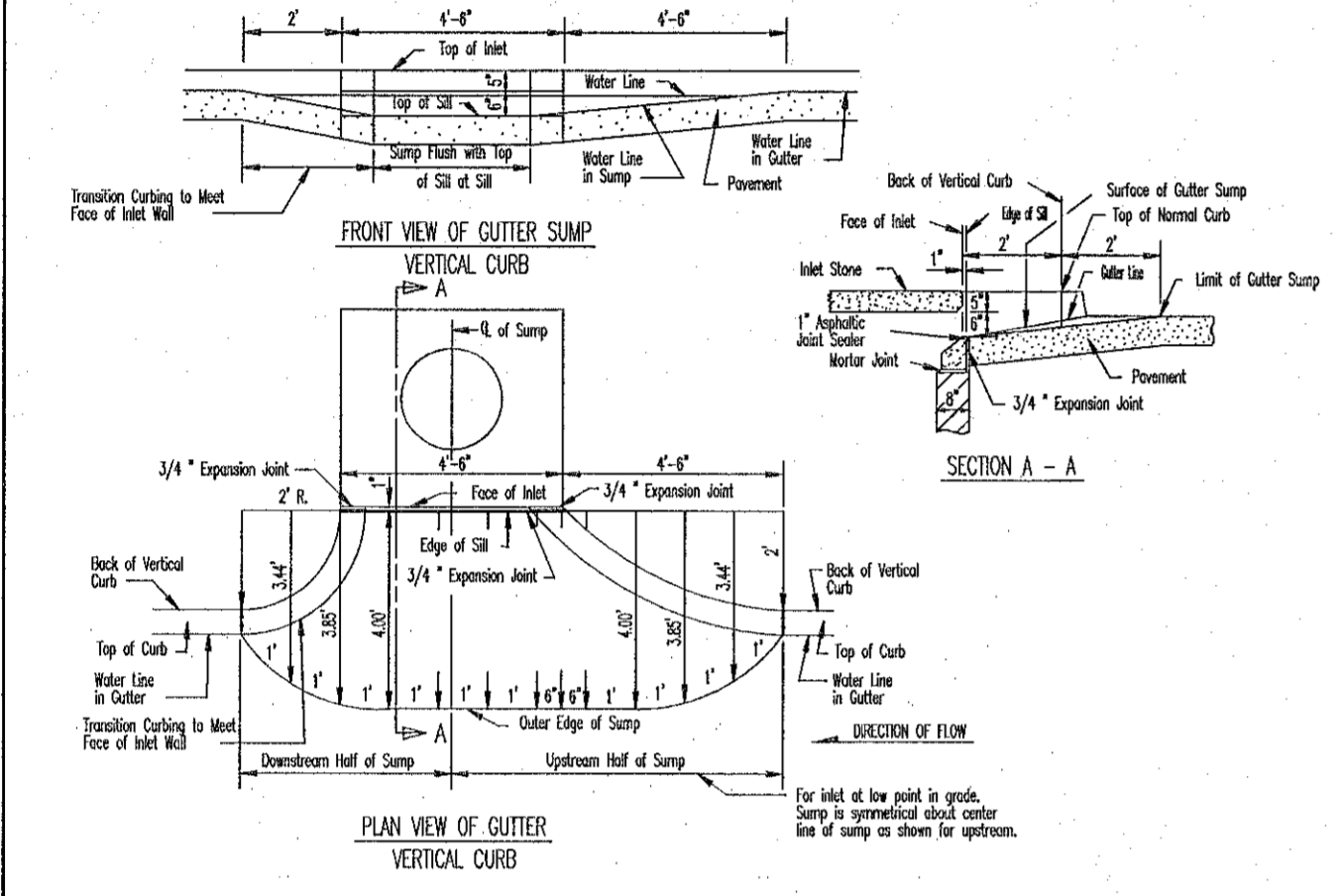
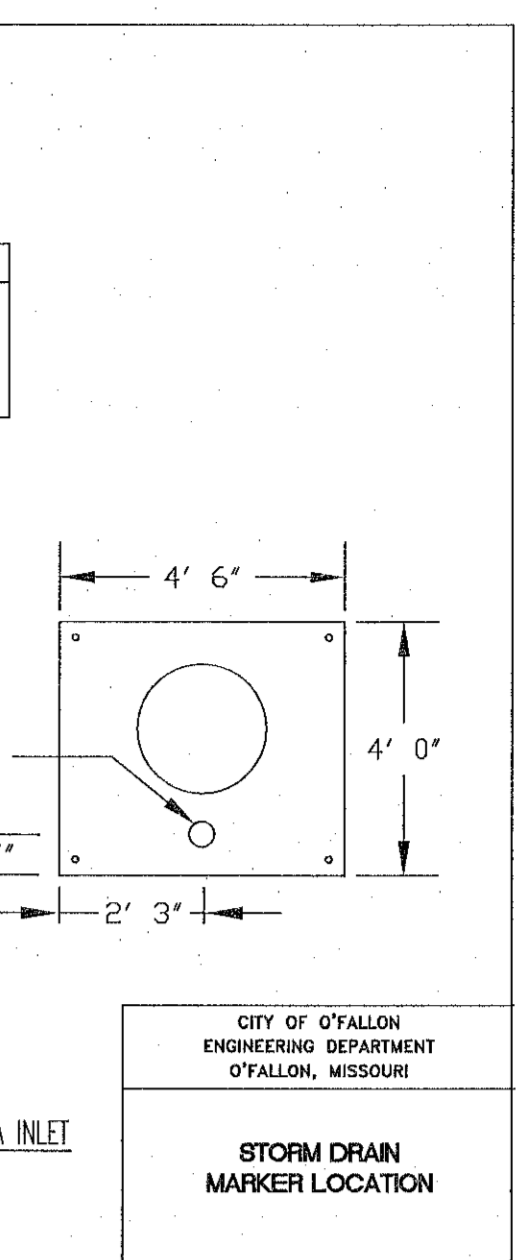
MSD Type 5 Rock Blanket (% By Weight Passing)

Sieve	Maximum	Minimum
12 inch	90	70
6 inch	30	10
1/2 inch	5	0

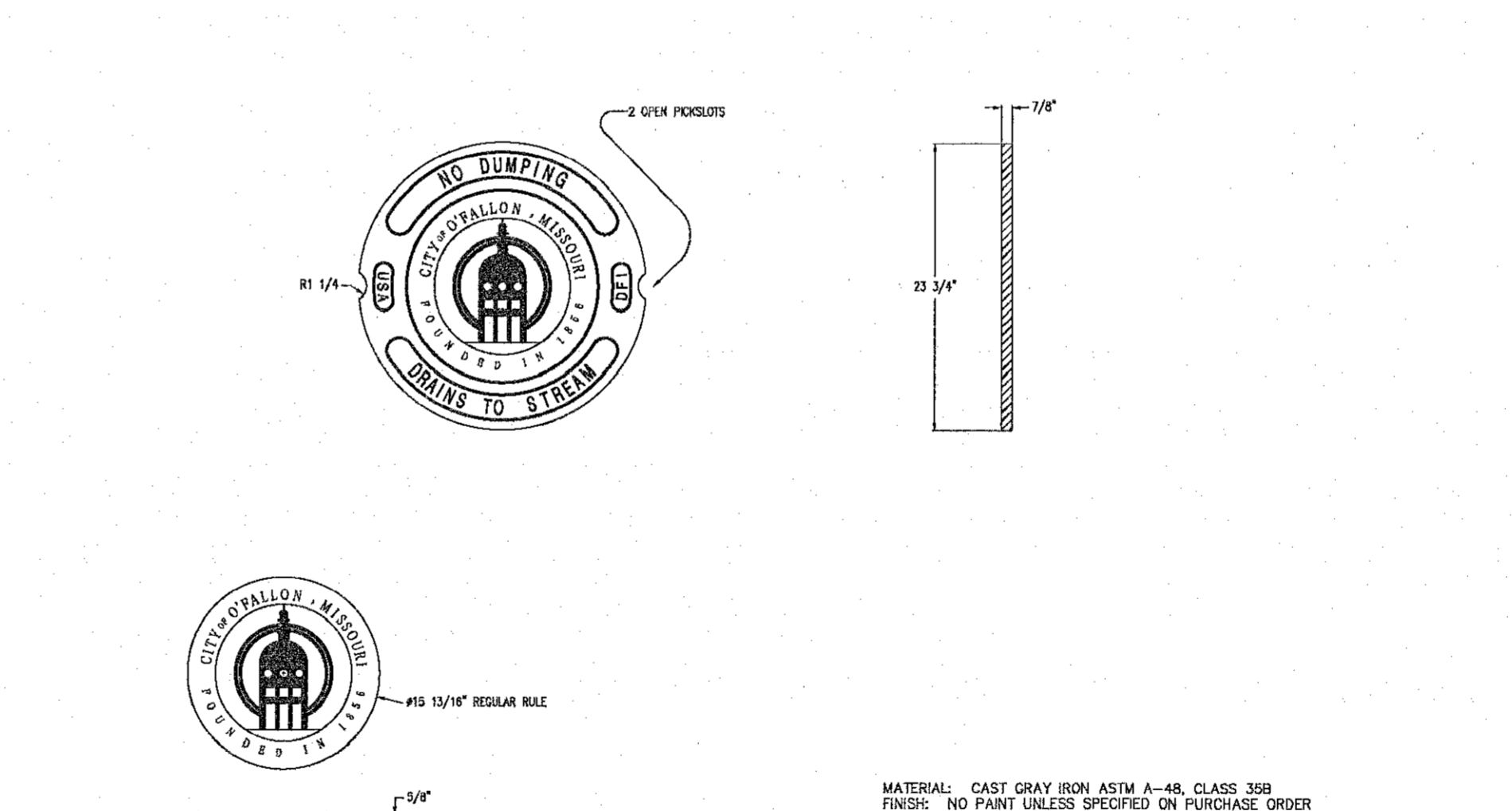
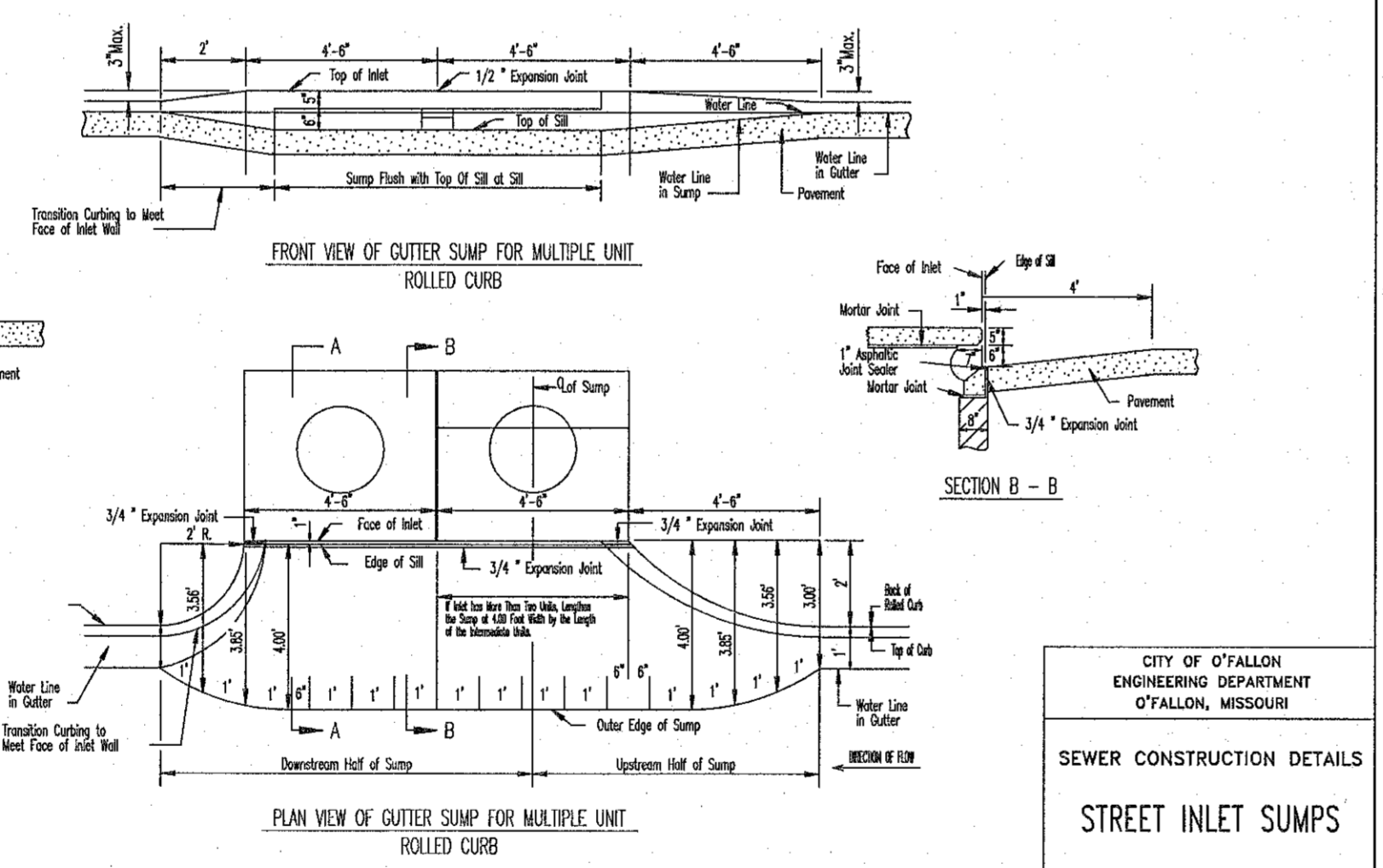
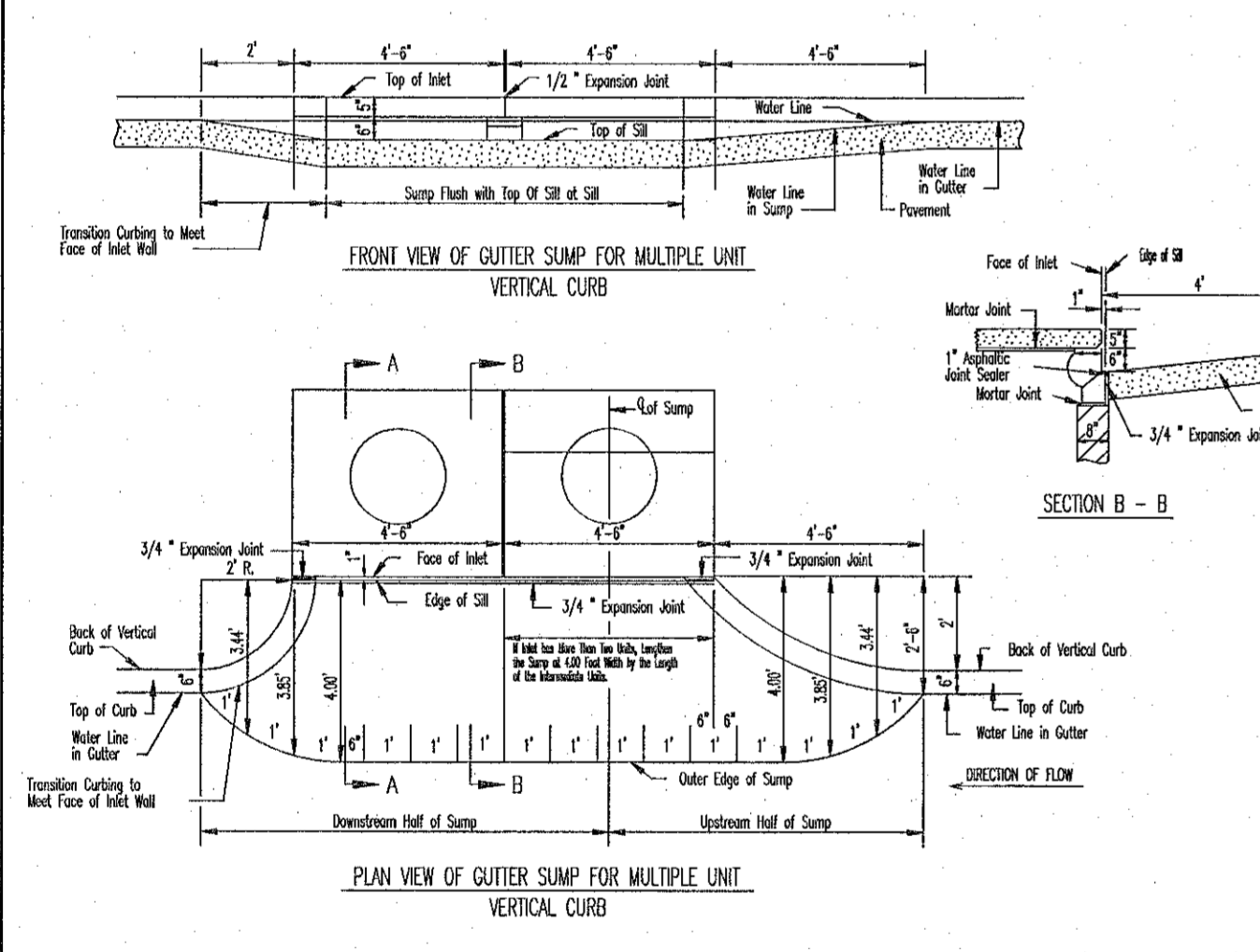
NOTE:
1. To be used at intake and discharge end of pipe. Grade of Rock Blanket to be adjusted accordingly.
2. Woven Geotextile Fabric required under Rock Blanket.

* The City of O'Fallon must be provided with a symbol/medallion for review and approval prior to installation. Contact the City if any information is needed.

Size	Style	Adhesive	Message (Part #)
3 7/8" x 4"	Crystal Cap or Standard Style	Epoxy	No Dumping Drains to Waterway



Carefully placed compacted selected earth bedding will be used except if under pavement, or through rock cut areas. If under pavement, or through rock cut areas compacted crushed limestone and screenings is required to the base of pavement or to within 12" of finished surface. Water jetting is allowed under non paved areas.



CITY OF O'FALLON ENGINEERING DEPARTMENT O'FALLON, MISSOURI

SEWER CONSTRUCTION DETAILS STREET INLET SUMPS

MATERIAL: CAST GRAY IRON ASTM A-48, CLASS 350
FINISH: NO PAINT UNLESS SPECIFIED ON PURCHASE ORDER
WEIGHT: 80 LBS.

SCALE: 1/8" = 1"

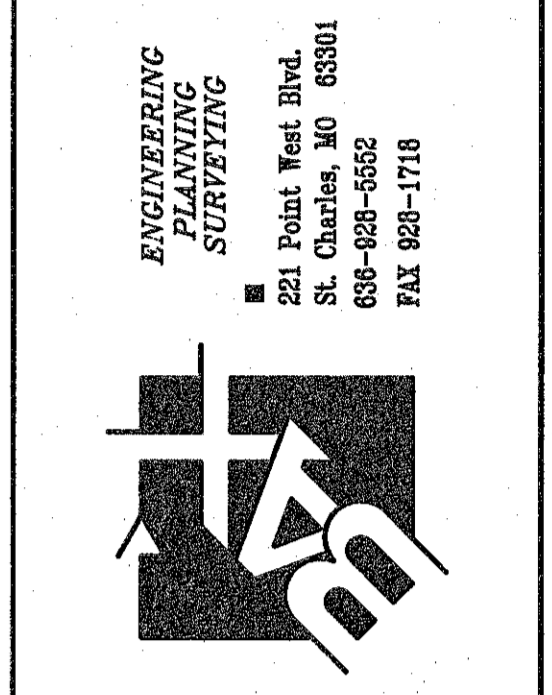
DATE: 11/21/2013

NEENAH FOUNDRY

DATE: 11/21/2013

NF-4580-272B

PROJECT TITLE:
KEYSTONE RIDGE



DISCLAIMER OF RESPONSIBILITY
I hereby specify that the documents intended to be authorized by my seal are limited to this sheet, and I hereby disclaim any responsibility for all other drawings, specifications, estimates, reports or other documents or instruments relating to or intended to be used for any part or parts of the architectural or engineering project or survey.

REVISIONS

DATE	CITY COMMENTS
05/01/17	CITY COMMENTS
07/20/17	CITY COMMENTS
08/07/17	CITY COMMENTS
08/21/17	CITY COMMENTS
08/31/17	CITY COMMENTS
10/02/17	CITY COMMENTS

Developer / Owner:
KEYSTONE RIDGE LAND, LLC
10328 LAKE BLUFF DRIVE
ST. LOUIS, MO 63123
314-892-3030 EXT. 121

REFERENCE DETAILS

P+Z No. #32-16
City No. #

Page No. 26 of 33

ENGINEERS SEAL DOES NOT APPLY TO CITY OF O'FALLON DETAILS ON THIS SHEET.

* All other Storm Details will be by M.S.D. 2007 Standards and Specifications.

* A 5/8" Trash bar shall be centered within the opening(s) of all inlets.