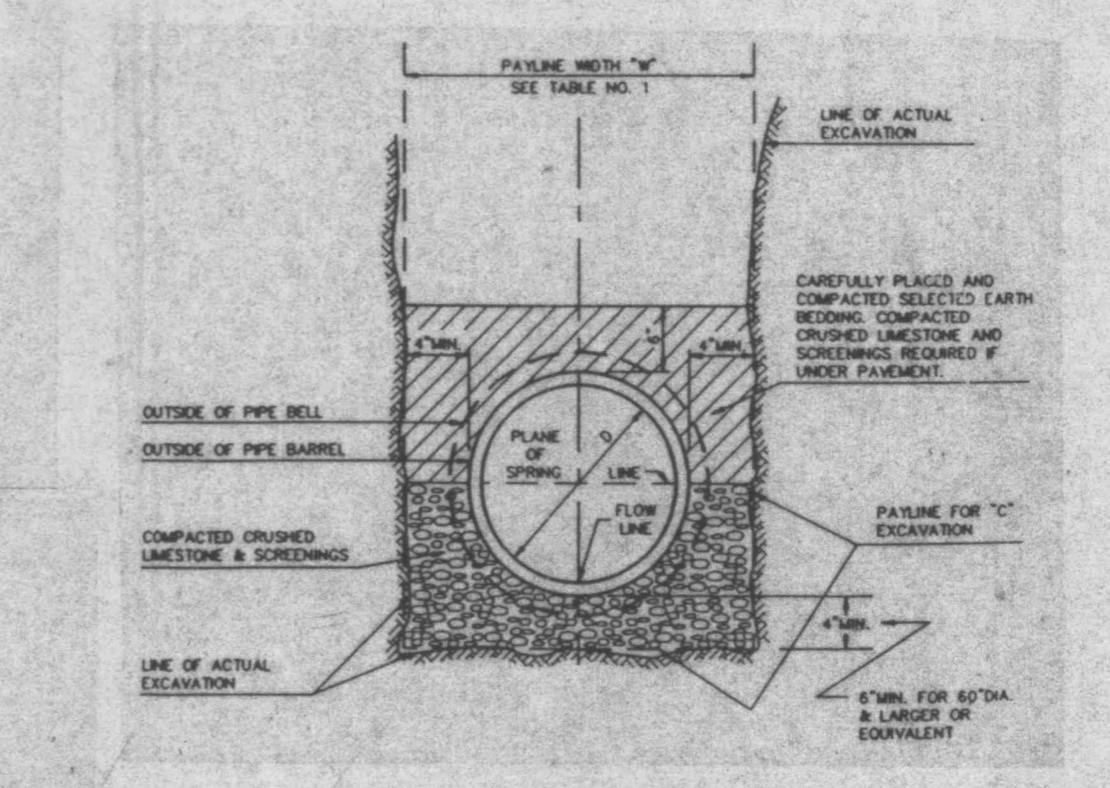
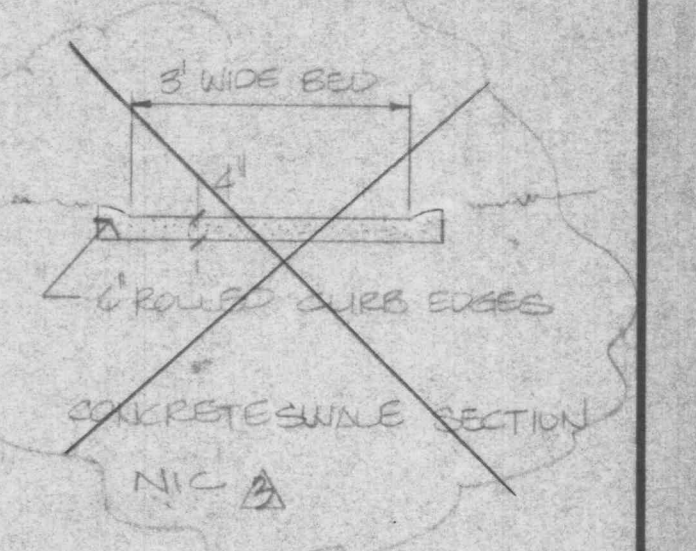
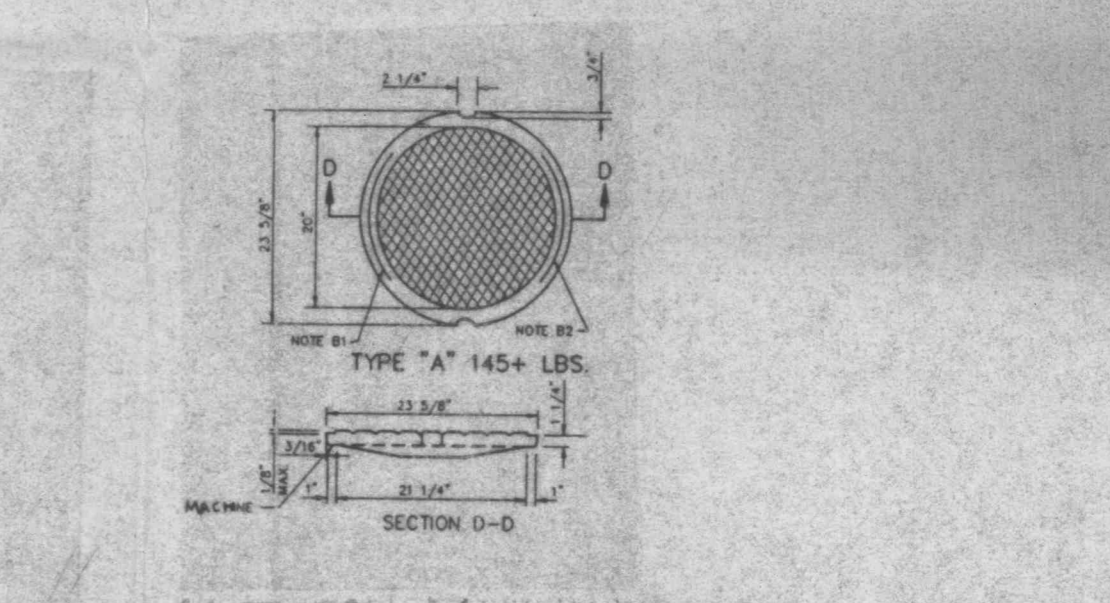


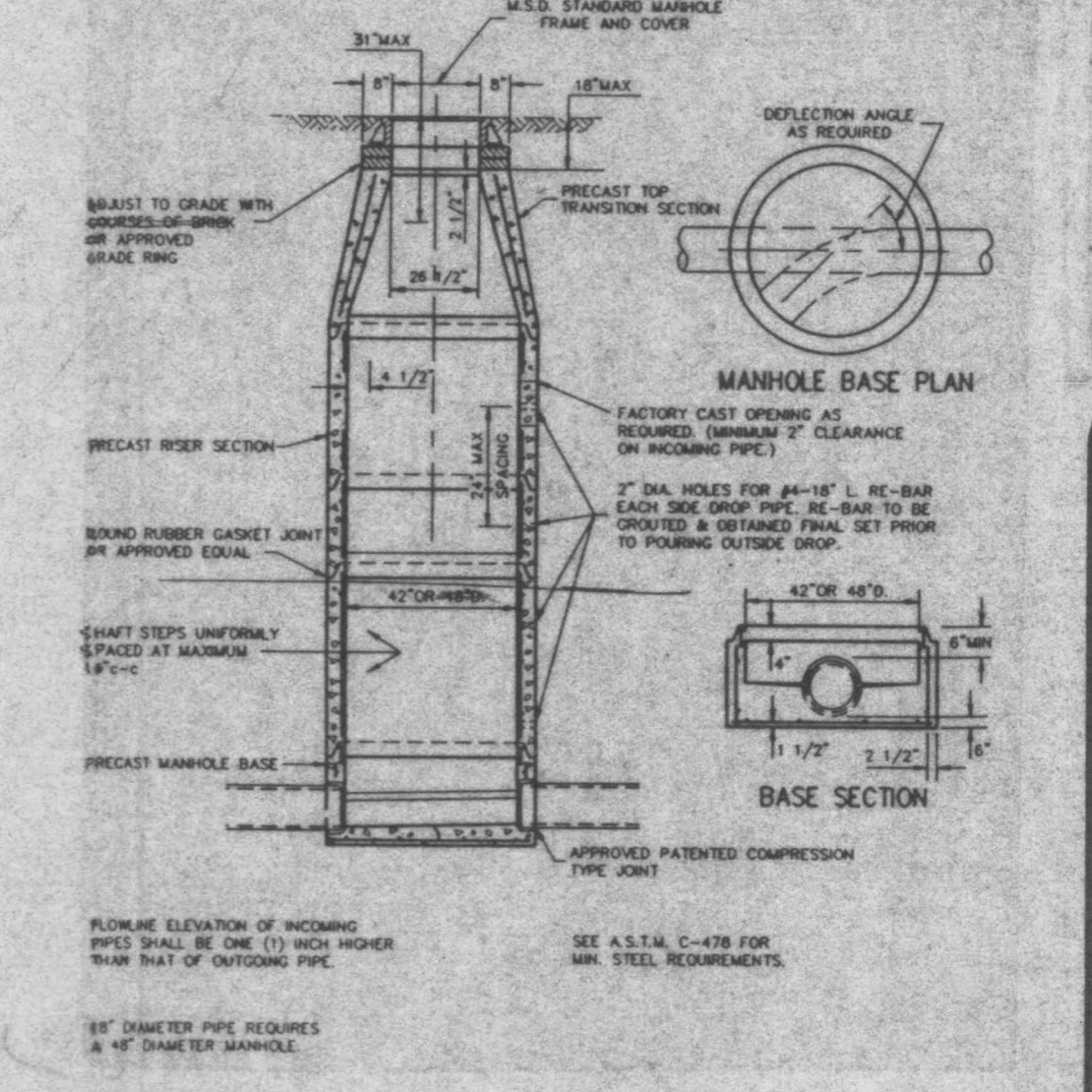
FLARED END SECTION WITH ENERGY DISSIPATOR



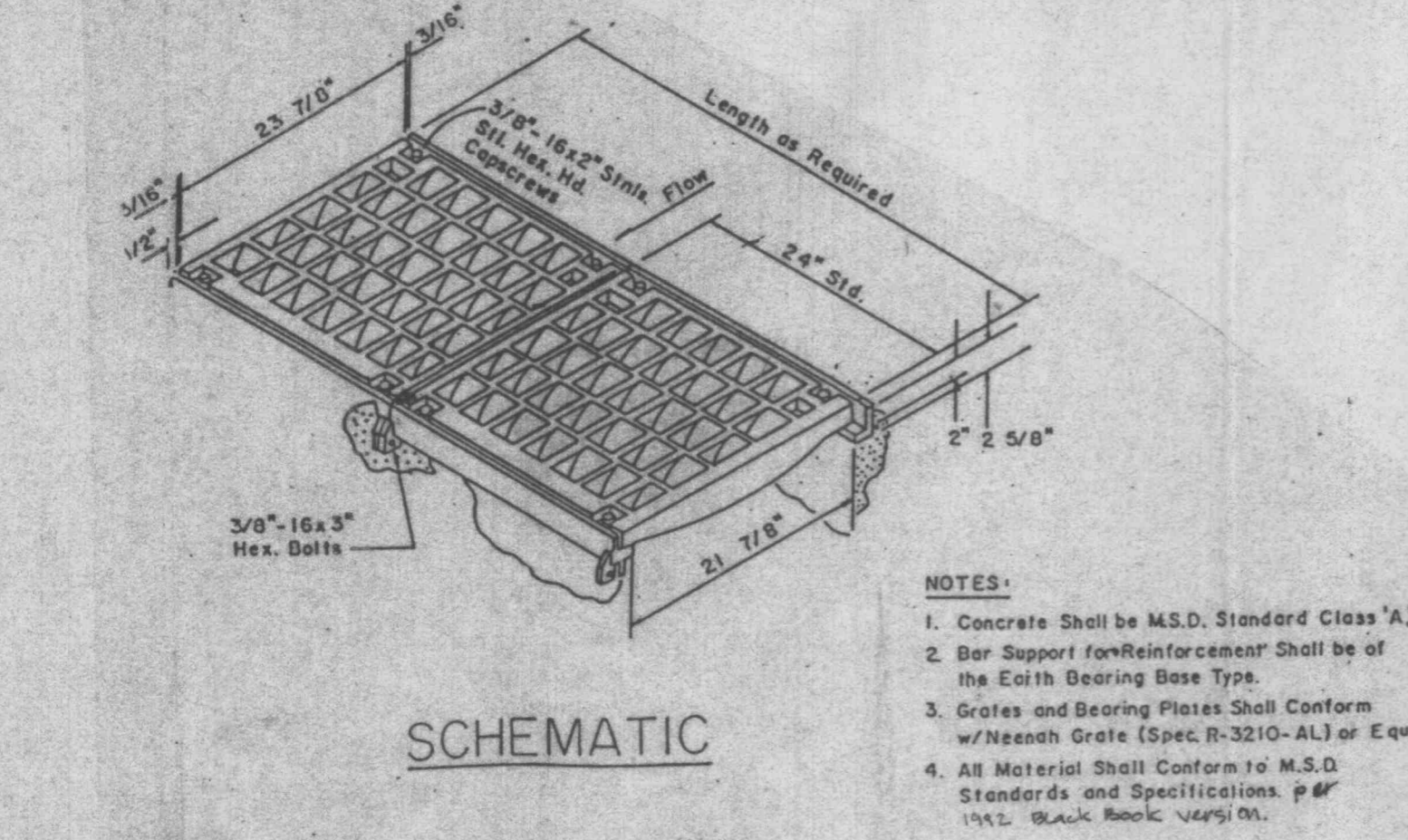
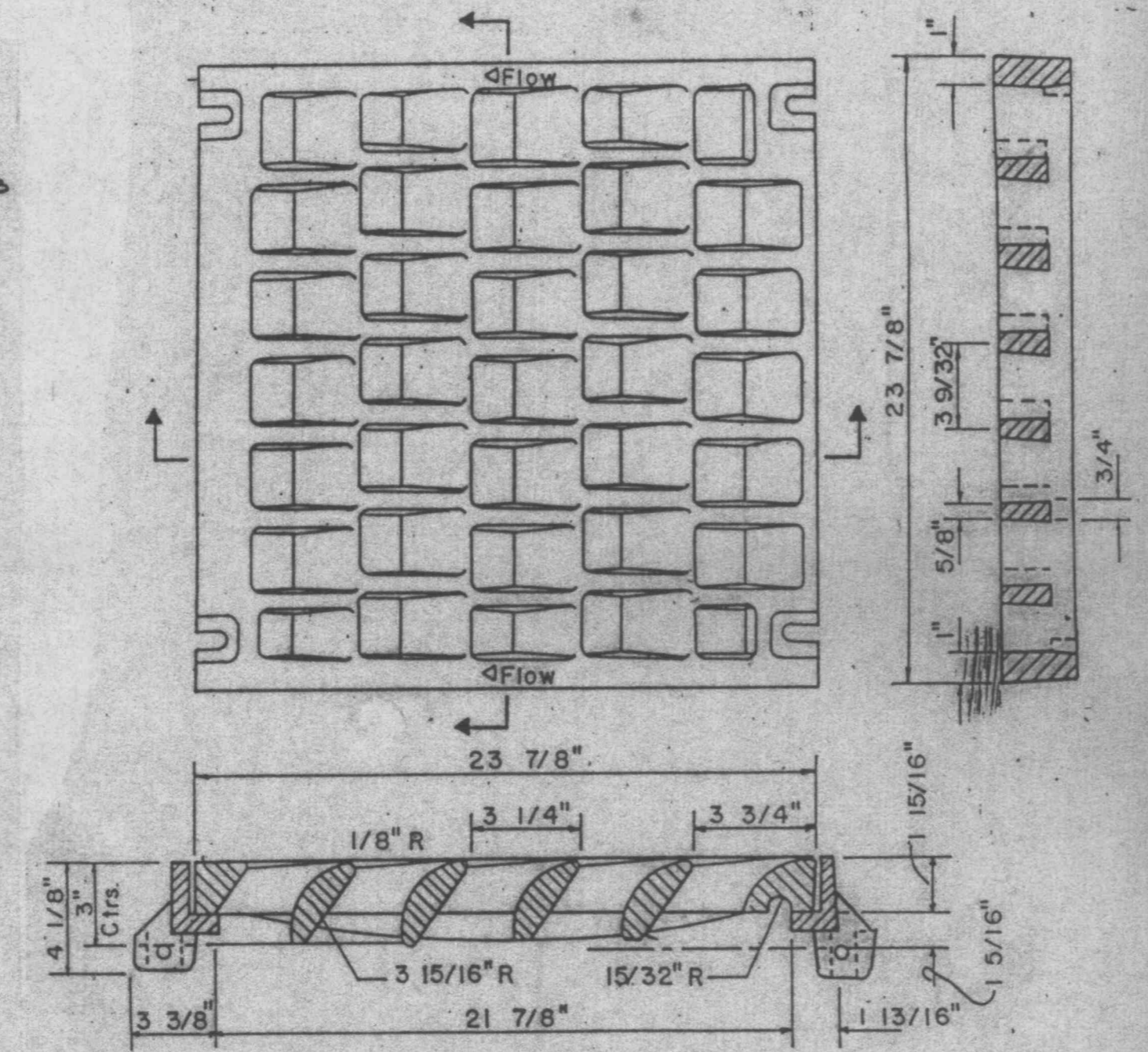
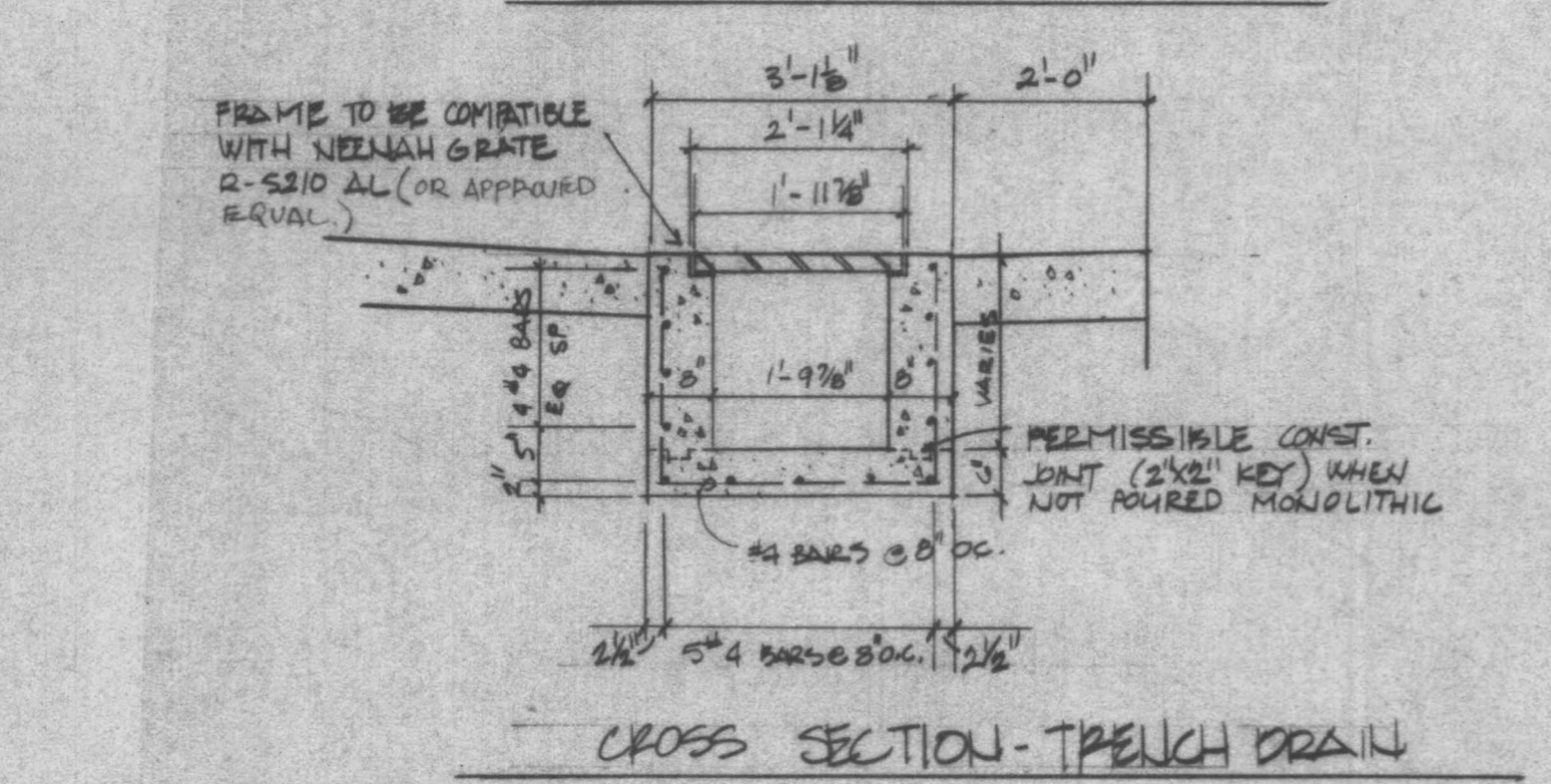
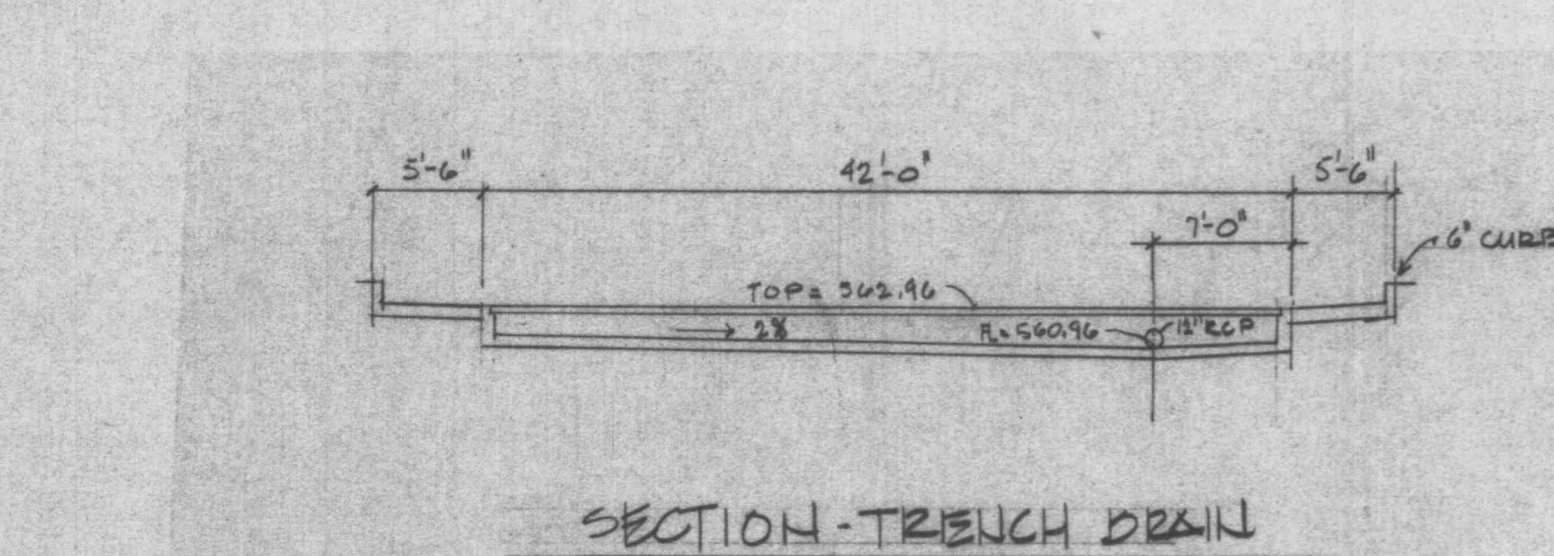
PIPE BEDDING CLASS "C" MODIFIED FOR REINFORCED CONG. PIPE



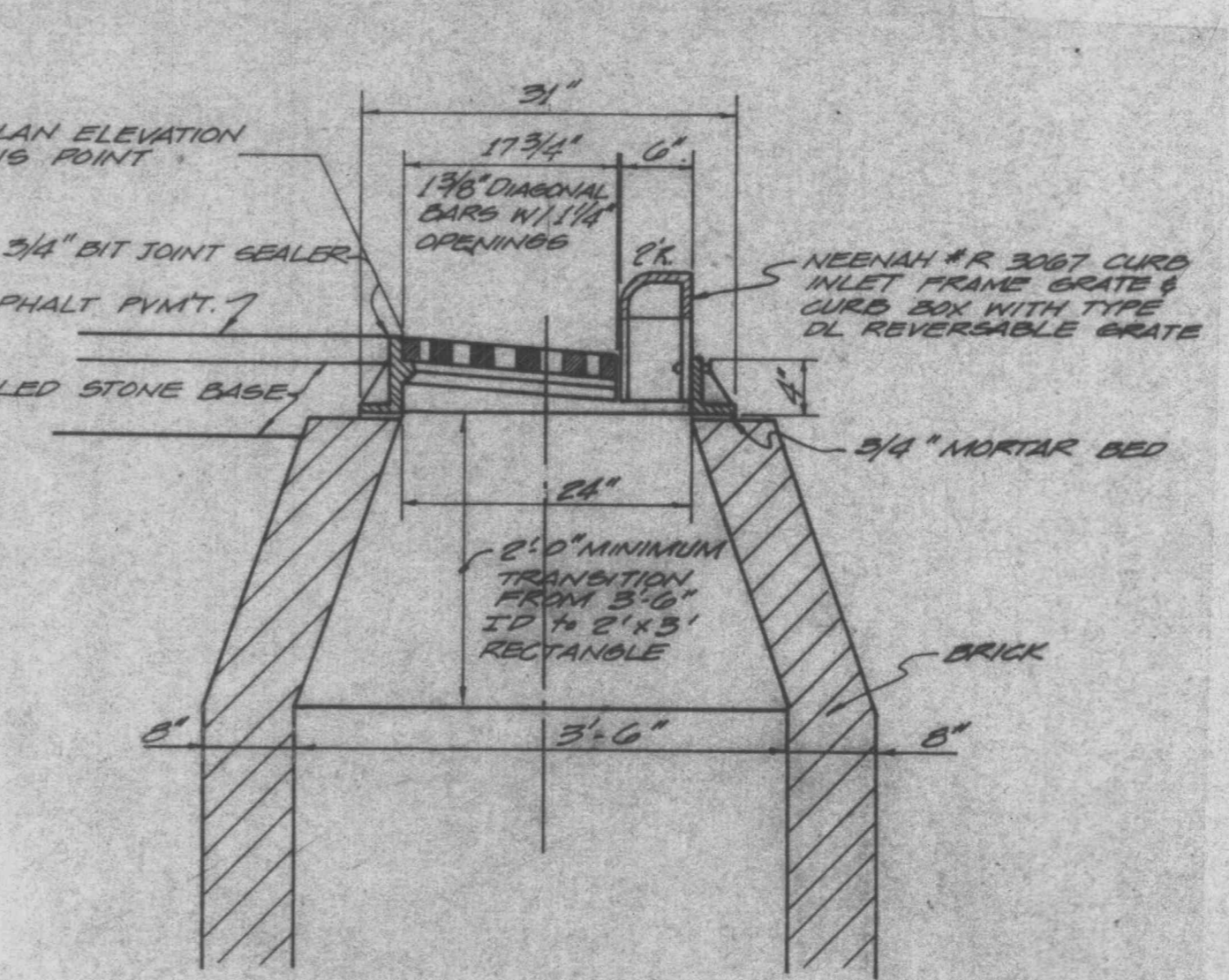
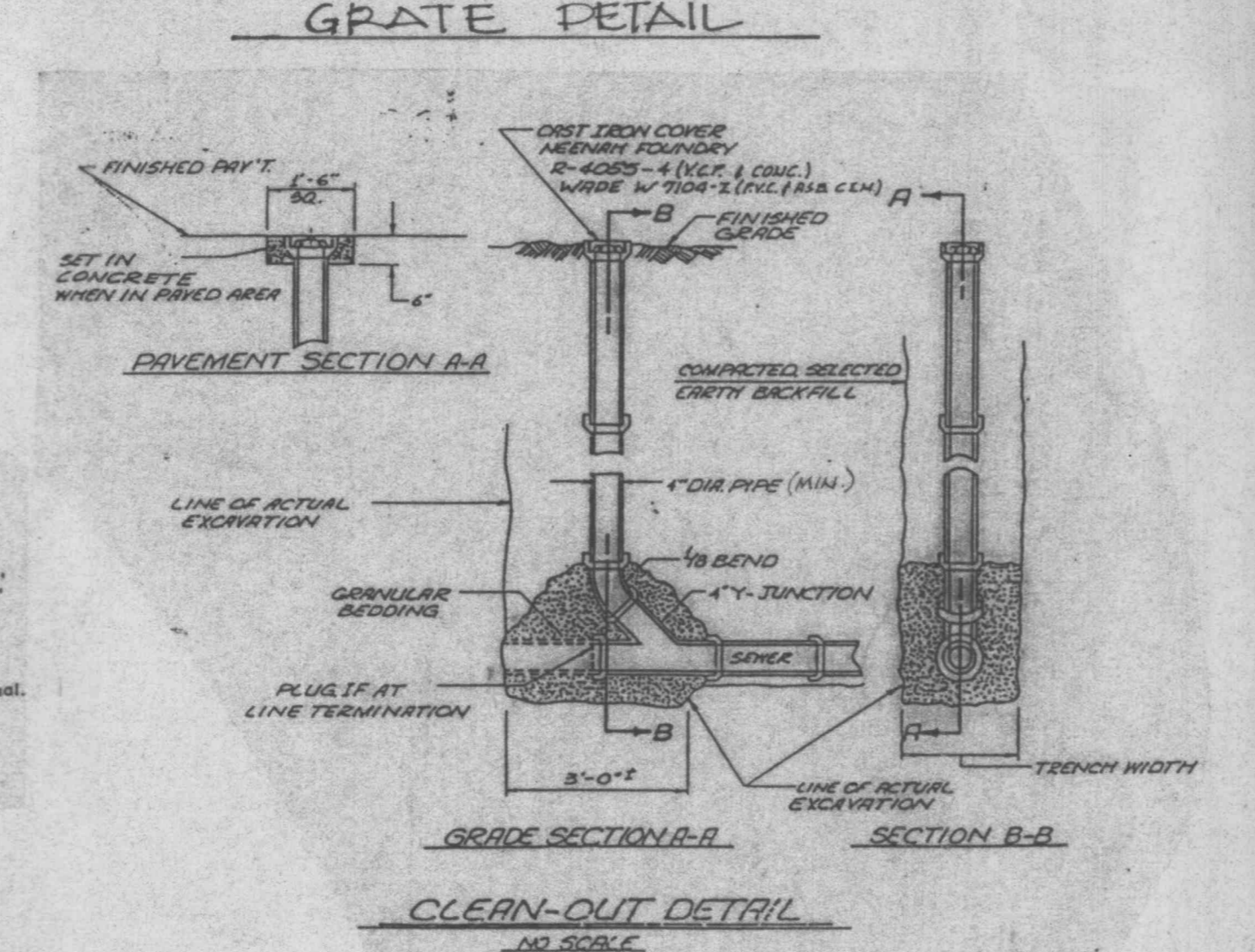
LAST IRON MANHOLE COVER



PRECAST MANHOLE



- NOTES:
- Concrete Shall be M.S.D. Standard Class "A".
 - Bar Support for Reinforcement Shall be of the Earth Bearing Base Type.
 - Grates and Bearing Plates Shall Conform with Mesh Grate (Spec. R-3210-AL) or Equal.
 - All Material Shall Conform to M.S.D. Standards and Specifications p. 67 1942 Black Book version.



PRECAST MANHOLE

KING
King Technology, Inc.

O'Fallon Corporate Centre
City of O'Fallon, Missouri

Owner:
King Technology, Inc.
1637 N. Warson Road
St. Louis, MO 63132

General Contractor:
Keystone Companies
12400 Olive Blvd.
Suite 565
St. Louis, MO 63141

Architect:
Holleran Duitsman Architects, Inc.
1350 Elbridge Payne Road
Suite 202
St. Louis, MO 63017



revisions:

no.	date	description
1	8-1-95	CITY COMMENTS
2	10-17-95	"
3	12-1-95	"

LOOMIS BOULTON PICKETT
Landscape Architects
Civil Engineers
Planners
Surveyors
635 Maryville Centre Drive
St. Louis, Missouri 63141
(314) 878-9006

sheet title
SEWER PIPING & DETAILS
sheet no.
C4
date: 8-4-95 job no:
dwg by: AD, chk by: