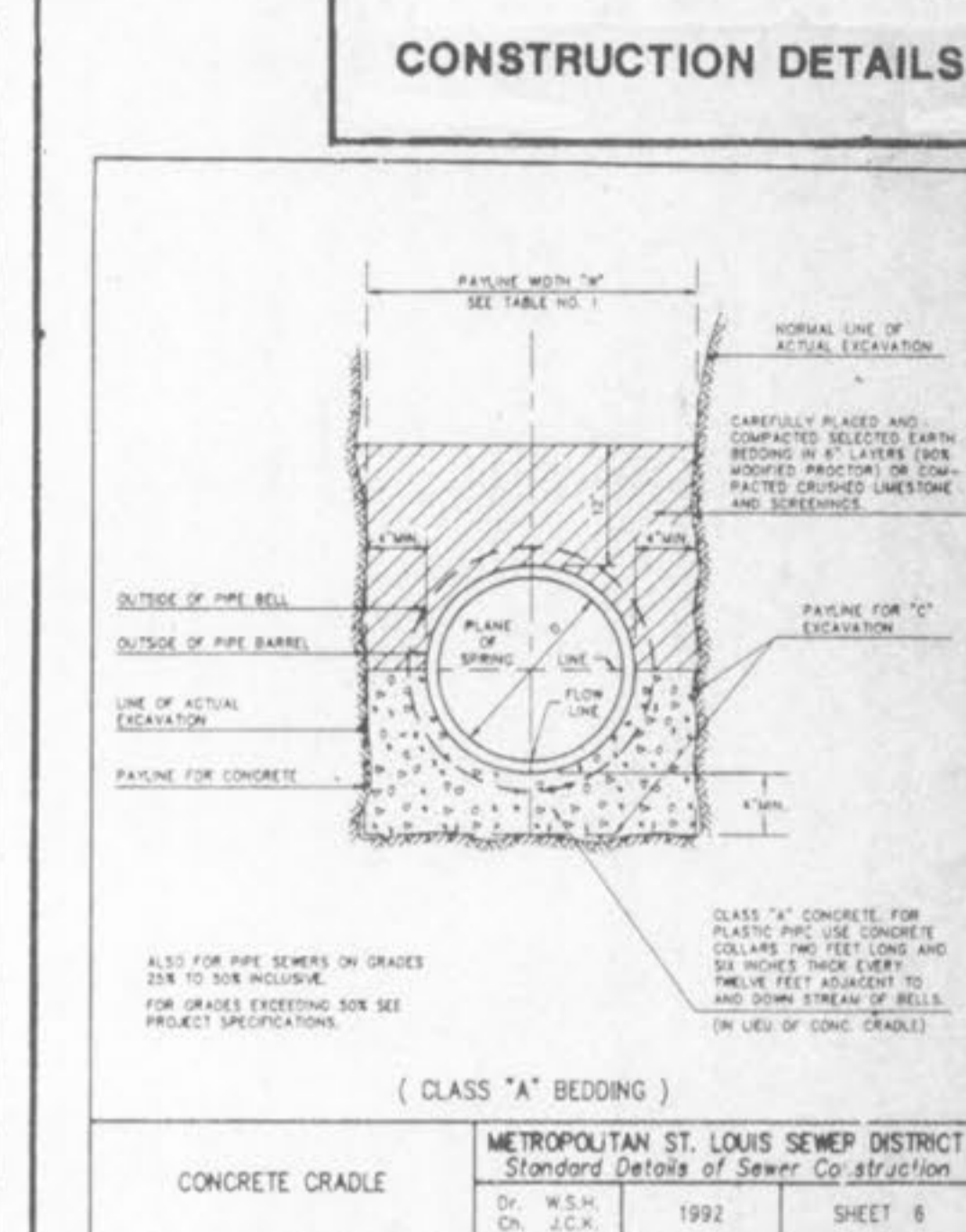
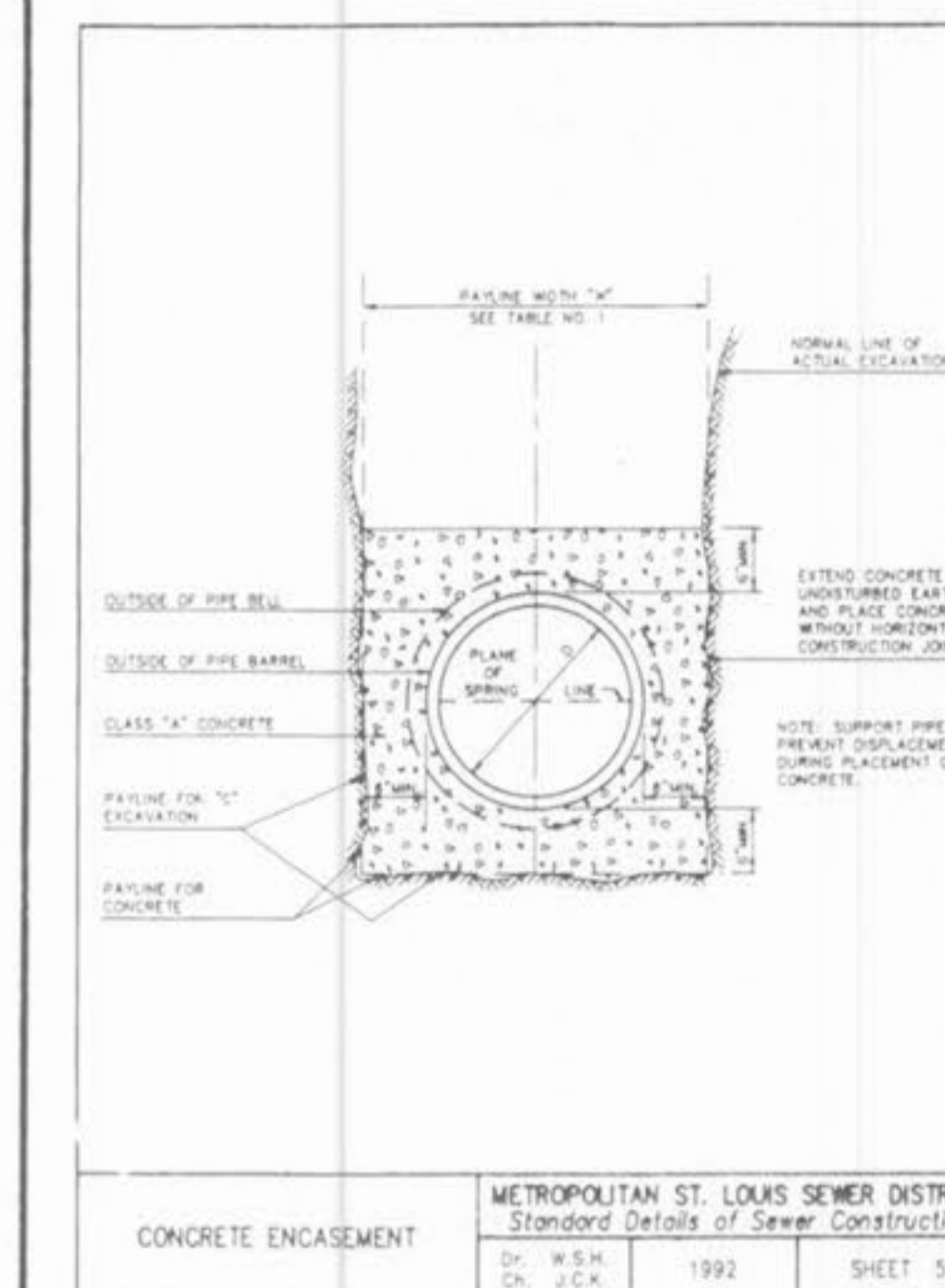
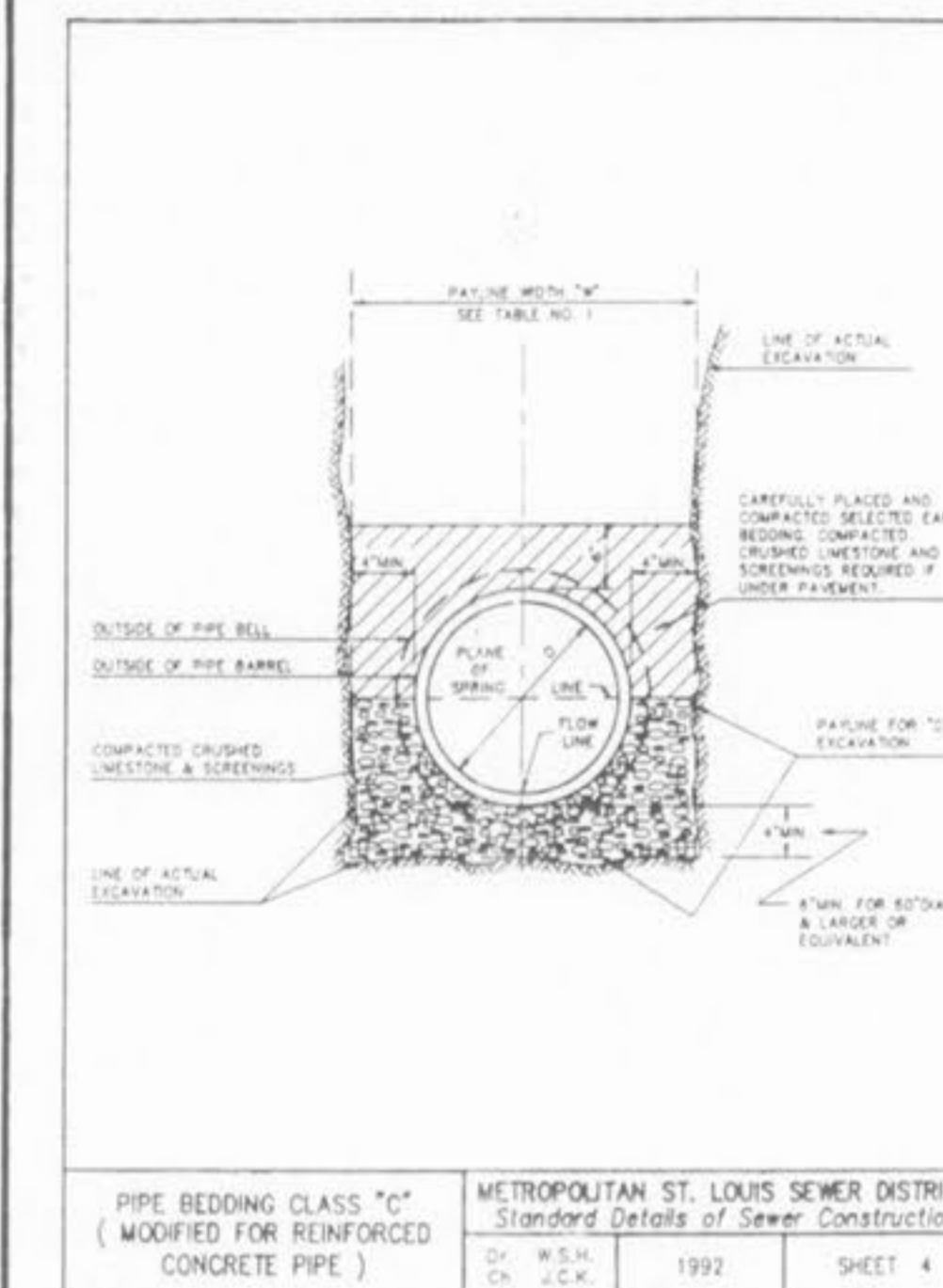
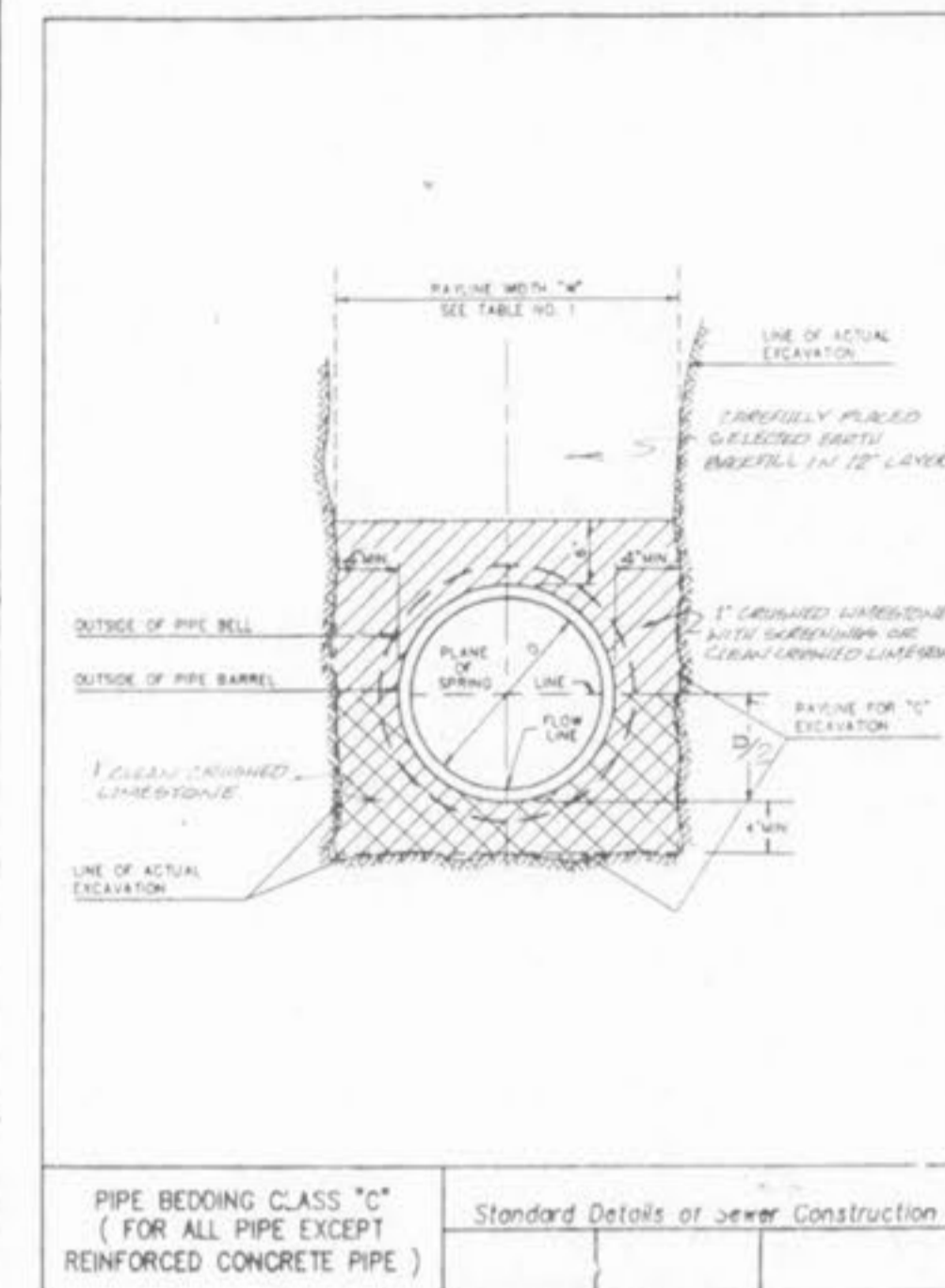
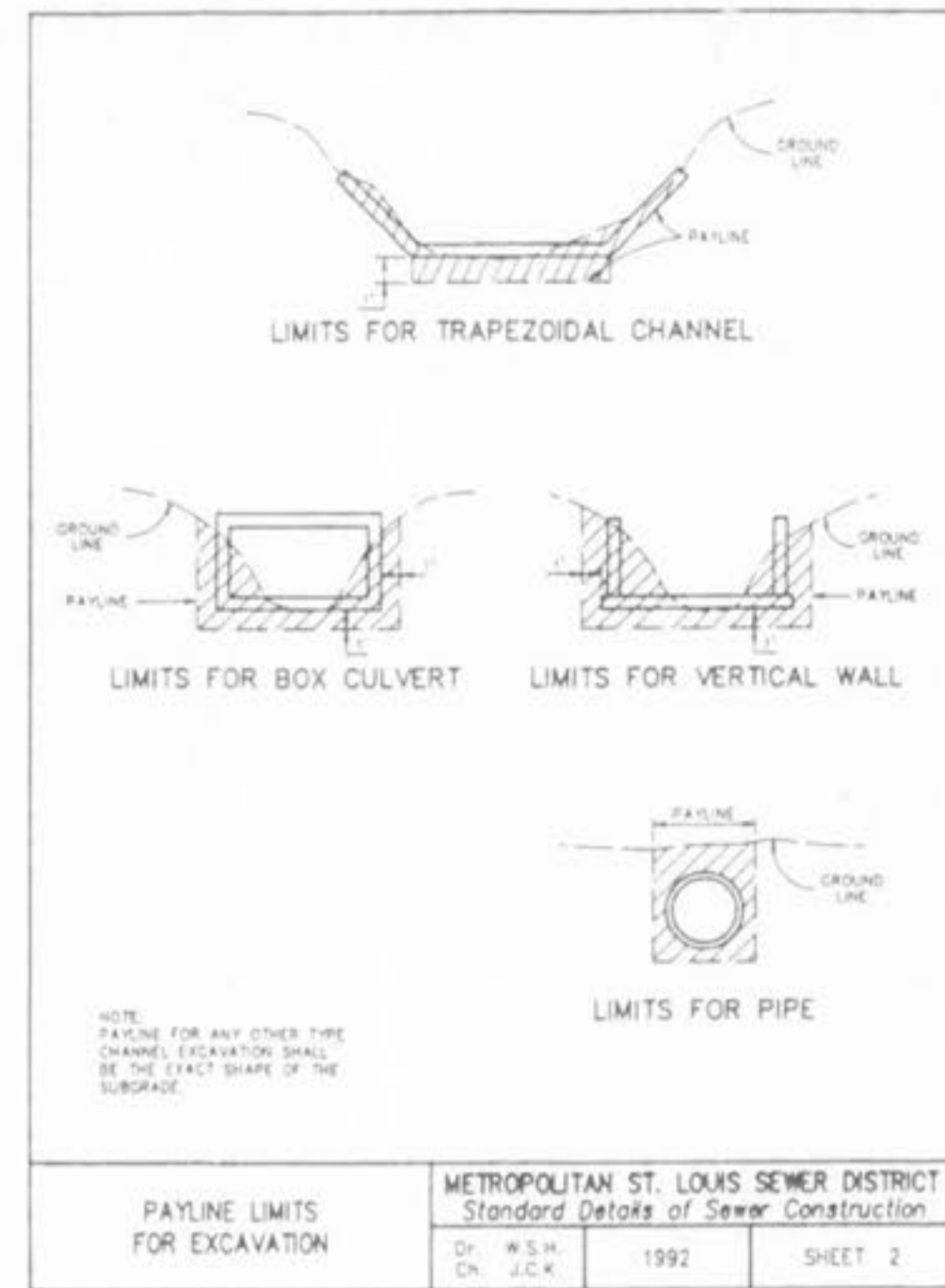


| ROUND PIPE | | | | HORIZONTAL ELLIPTICAL PIPE | | | |
|----------------------------------|--------------------------------------|------------------------------------|------------------------------|----------------------------|------------------------------------|------------------------------------|------------------------------|
| INSIDE DIAMETER OF PIPE (INCHES) | "W" PAYLINE WIDTH OF TRENCH (INCHES) | "H" PAYLINE WIDTH OF TRENCH (FEET) | PAY-VOLUME (CU. FT. PER FT.) | INSIDE DIMENSIONS (INCHES) | "W" PAYLINE WIDTH OF TRENCH (FEET) | "H" PAYLINE WIDTH OF TRENCH (FEET) | PAY-VOLUME (CU. FT. PER FT.) |
| 4 | 30 | 2.50 | 3.28 | | | | |
| 6 | 30 | 2.50 | 3.58 | | | | |
| 8 | 30 | 2.50 | 3.87 | | | | |
| 10 | 30 | 2.50 | 4.08 | | | | |
| 12 | 30 | 2.50 | 4.25 | | | | |
| 15 | 36 | 3.00 | 5.55 | | | | |
| 18 | 36 | 3.00 | 5.77 | 14 x 22 | 41 | 2.42 | 5.84 |
| 21 | 39 | 3.25 | 6.81 | | | | |
| 24 | 42 | 3.50 | 7.58 | 18 x 30 | 43 | 4.08 | 7.88 |
| 27 | 45 | 3.75 | 8.18 | 22 x 34 | 52 | 4.42 | 8.81 |
| 30 | 48 | 4.00 | 9.30 | 24 x 38 | 58 | 4.83 | 9.70 |
| 33 | 53 | 4.42 | 10.53 | 27 x 42 | 62 | 5.17 | 10.71 |
| 36 | 58 | 4.87 | 11.43 | 28 x 45 | 66 | 5.50 | 11.72 |
| 39 | 63 | 5.25 | 12.45 | 32 x 49 | 71 | 5.82 | 12.74 |
| 42 | 63 | 5.25 | 13.38 | 34 x 53 | 75 | 6.25 | 14.00 |
| 48 | 70 | 5.83 | 15.87 | 38 x 60 | 83 | 6.92 | 16.18 |
| 54 | 77 | 6.42 | 18.15 | 43 x 68 | 92 | 7.87 | 18.81 |
| 60 | 84 | 7.00 | 20.73 | 48 x 76 | 101 | 8.42 | 21.34 |
| 66 | 91 | 7.58 | 23.45 | 53 x 83 | 109 | 9.08 | 24.25 |
| 72 | 98 | 8.17 | 26.32 | 58 x 91 | 118 | 9.83 | 27.42 |
| 78 | 105 | 8.75 | 29.39 | 63 x 98 | 126 | 10.50 | 30.50 |
| 84 | 112 | 9.33 | 32.57 | 68 x 106 | 135 | 11.25 | 33.81 |
| 90 | 119 | 9.92 | 35.93 | 72 x 113 | 143 | 11.92 | 36.98 |
| 96 | 126 | 10.50 | 39.37 | 77 x 121 | 152 | 12.67 | 40.89 |
| 102 | 133 | 11.08 | 42.89 | 82 x 128 | 160 | 13.33 | 44.45 |
| 108 | 140 | 11.67 | 46.75 | 87 x 136 | 168 | 14.00 | 47.79 |
| 114 | 147 | 12.25 | 50.88 | 92 x 143 | 176 | 14.67 | 51.20 |
| 120 | 154 | 12.83 | 54.72 | 97 x 151 | 185 | 15.42 | 54.01 |
| 126 | 161 | 13.42 | 58.92 | | | | |
| 132 | 168 | 14.00 | 63.37 | 106 x 168 | 202 | 16.53 | 64.48 |
| 144 | 180 | 15.07 | 72.45 | 116 x 180 | 218 | 18.17 | 73.54 |

NOTE: PAYLINE FOR ANY OTHER TYPE CHANNEL EXCAVATION SHALL BE THE EXACT SHAPE OF THE SURFACE.

TABLE 1
PAYLINE WIDTHS OF TRENCH AND PAY-QUANTITIES OF CONCRETE

METROPOLITAN ST. LOUIS SEWER DISTRICT
Standard Details of Sewer Construction
Dr. W.S.H. 1992 SHEET 1



| SECTION OF MANHOLE | DIMENSION |
|--------------------|------------------------|
| TOP TRANSITION | UPPER 26 1/2" DIA. |
| | LOWER 42" DIA. |
| BOTTOM SECTION | 8" THRU 24" DIA. PIPE |
| | 42" DIA. |
| BOTTOM SECTION | 27" THRU 36" DIA. PIPE |
| | 42" SQUARE |

TABLE NO. 2
STANDARD MANHOLE DIMENSIONS

METROPOLITAN ST. LOUIS SEWER DISTRICT
Standard Details of Sewer Construction
Dr. R.G.W. 1992 SHEET 7

