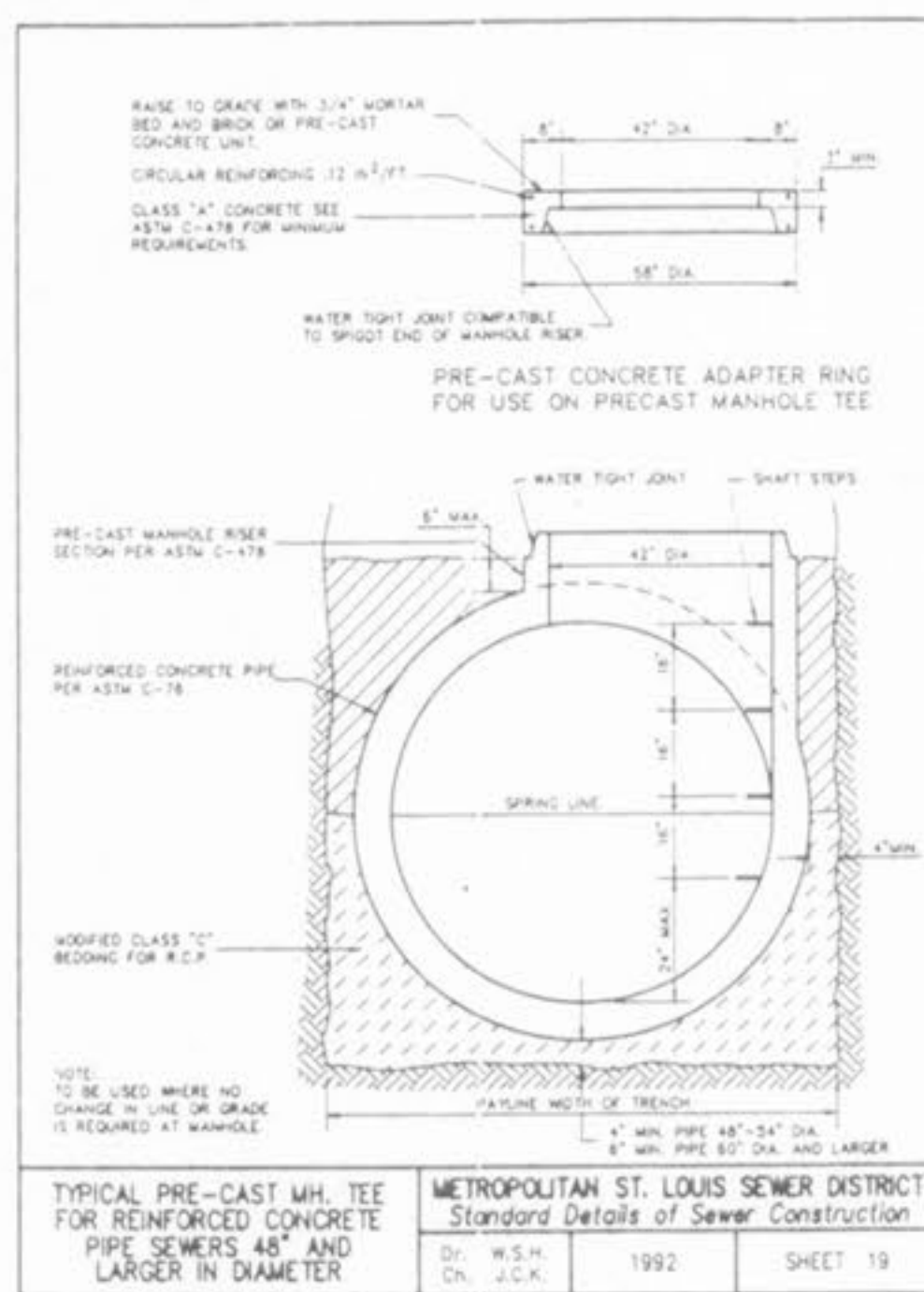
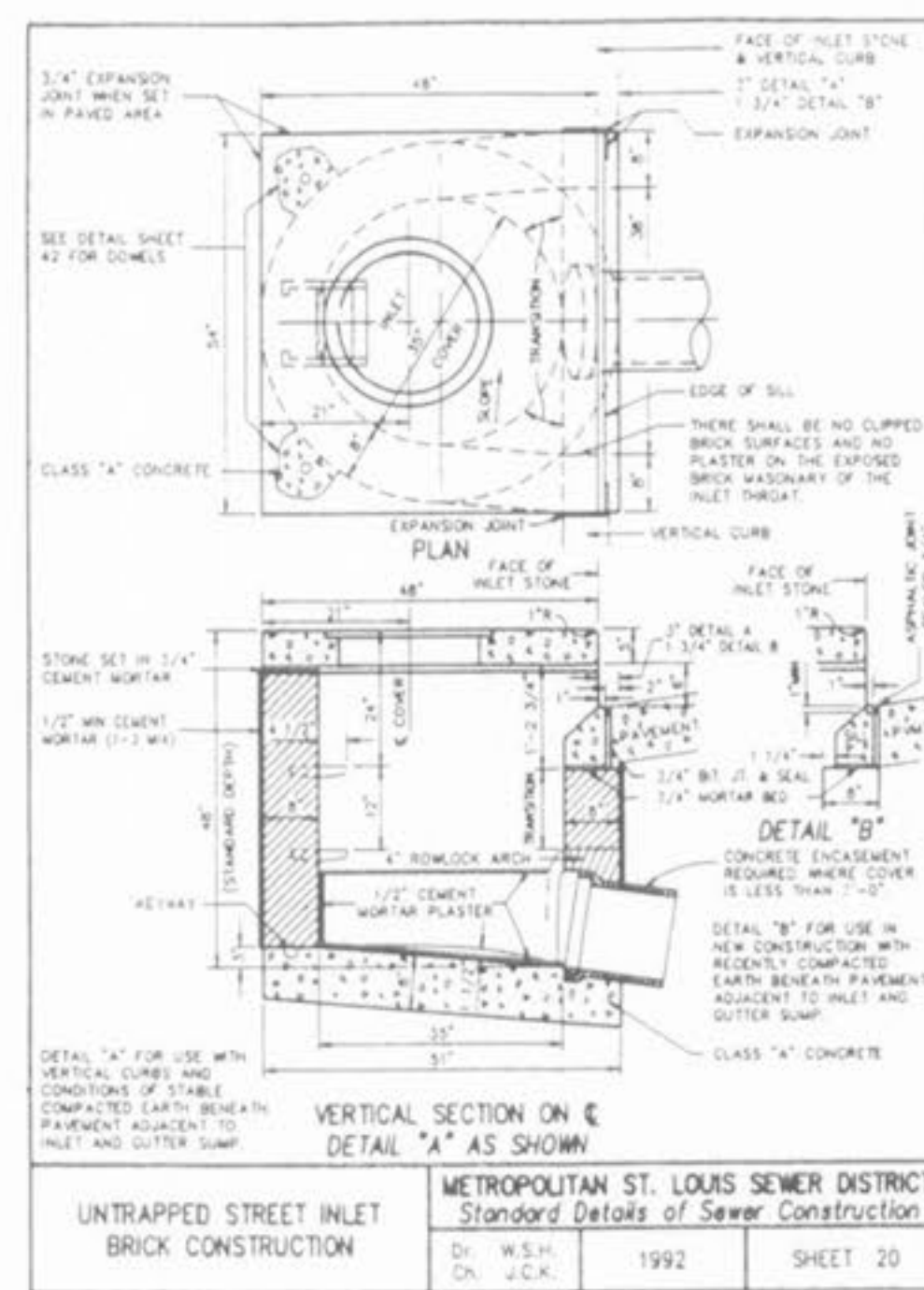


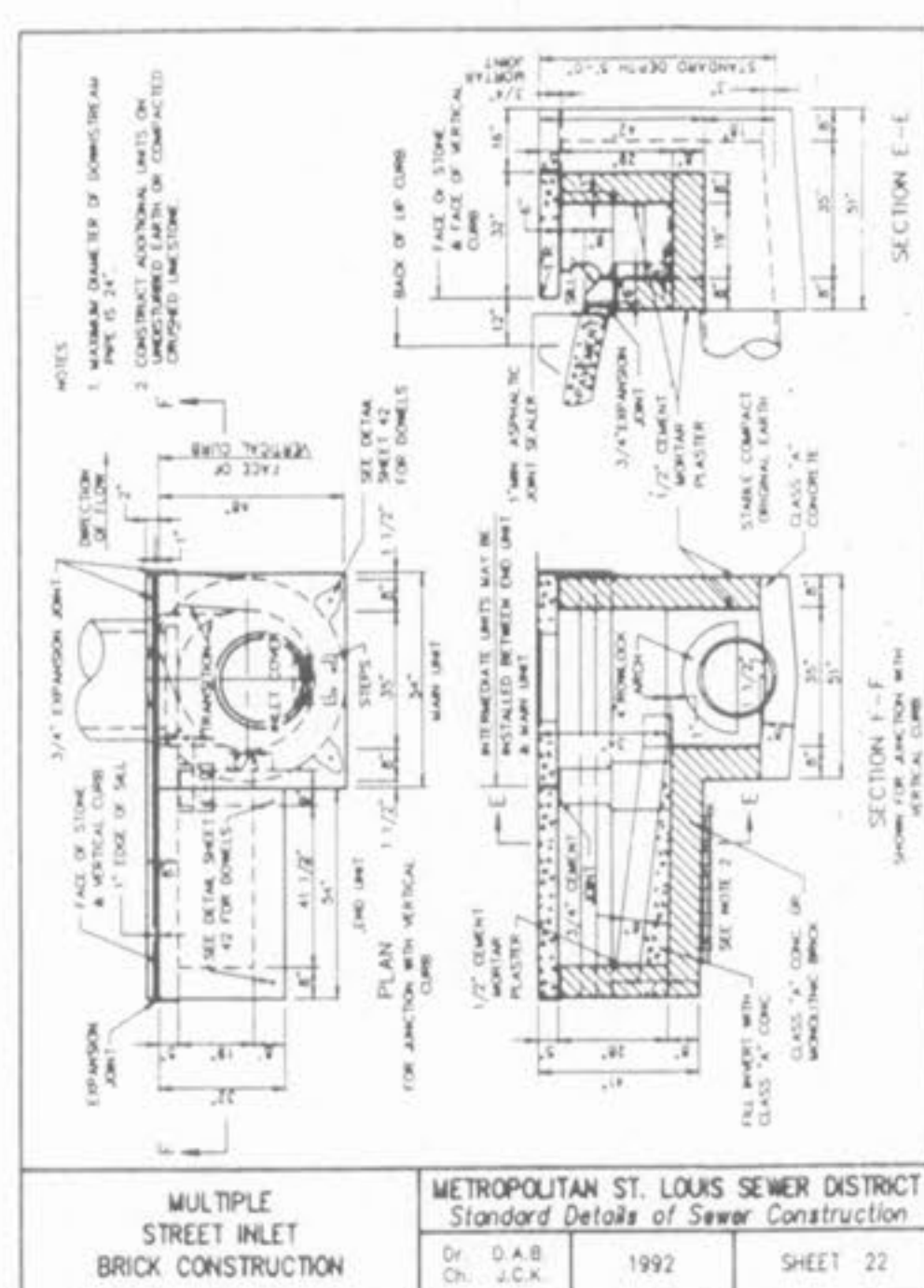
**CONSTRUCTION DETAILS**



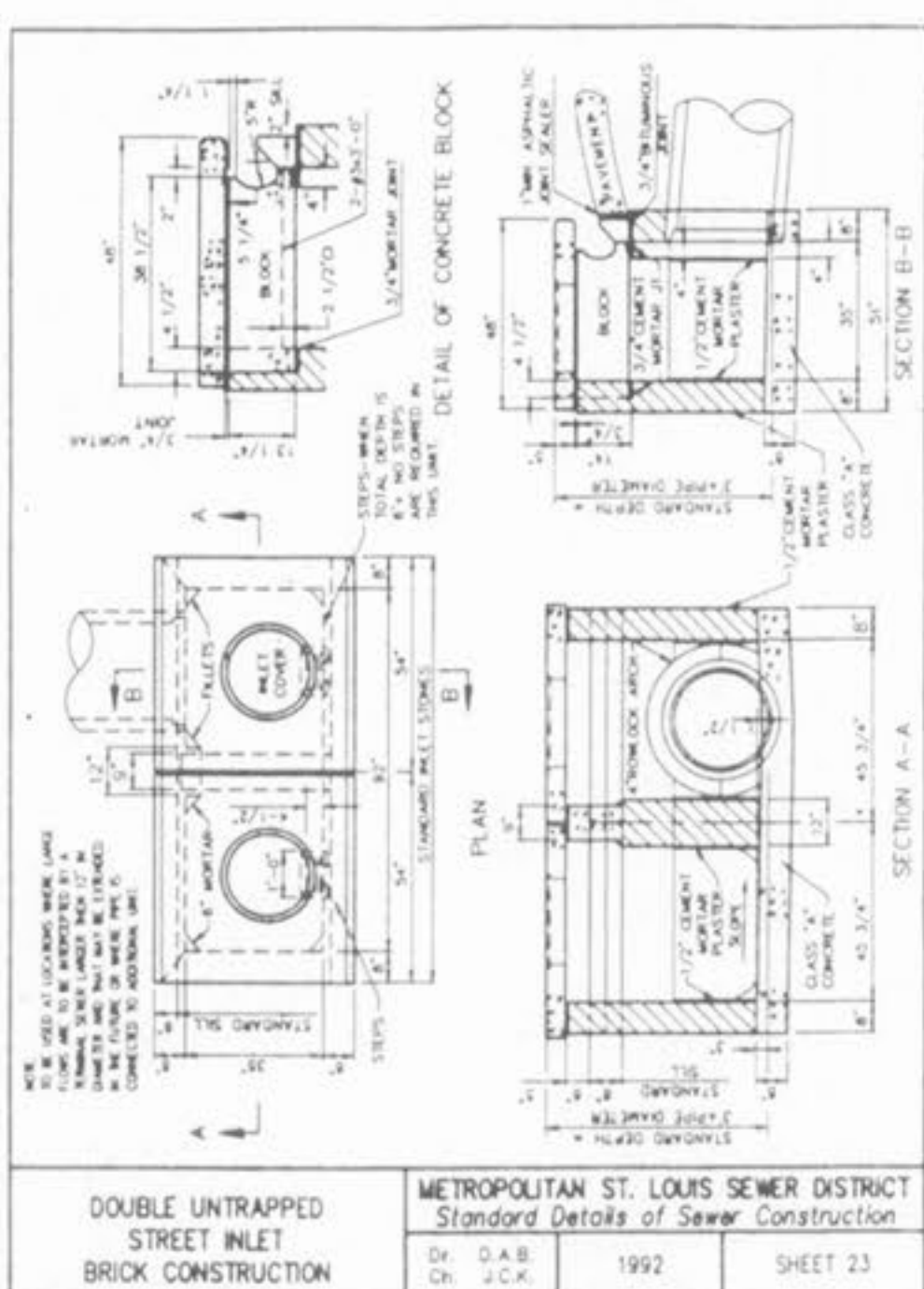
**TYPICAL PRE-CAST MH. TEE FOR REINFORCED CONCRETE PIPE SEWERS 48" AND LARGER IN DIAMETER**  
 METROPOLITAN ST. LOUIS SEWER DISTRICT  
 Standard Details of Sewer Construction  
 Dr. W.S.H. Ch. J.C.K. 1992 SHEET 19



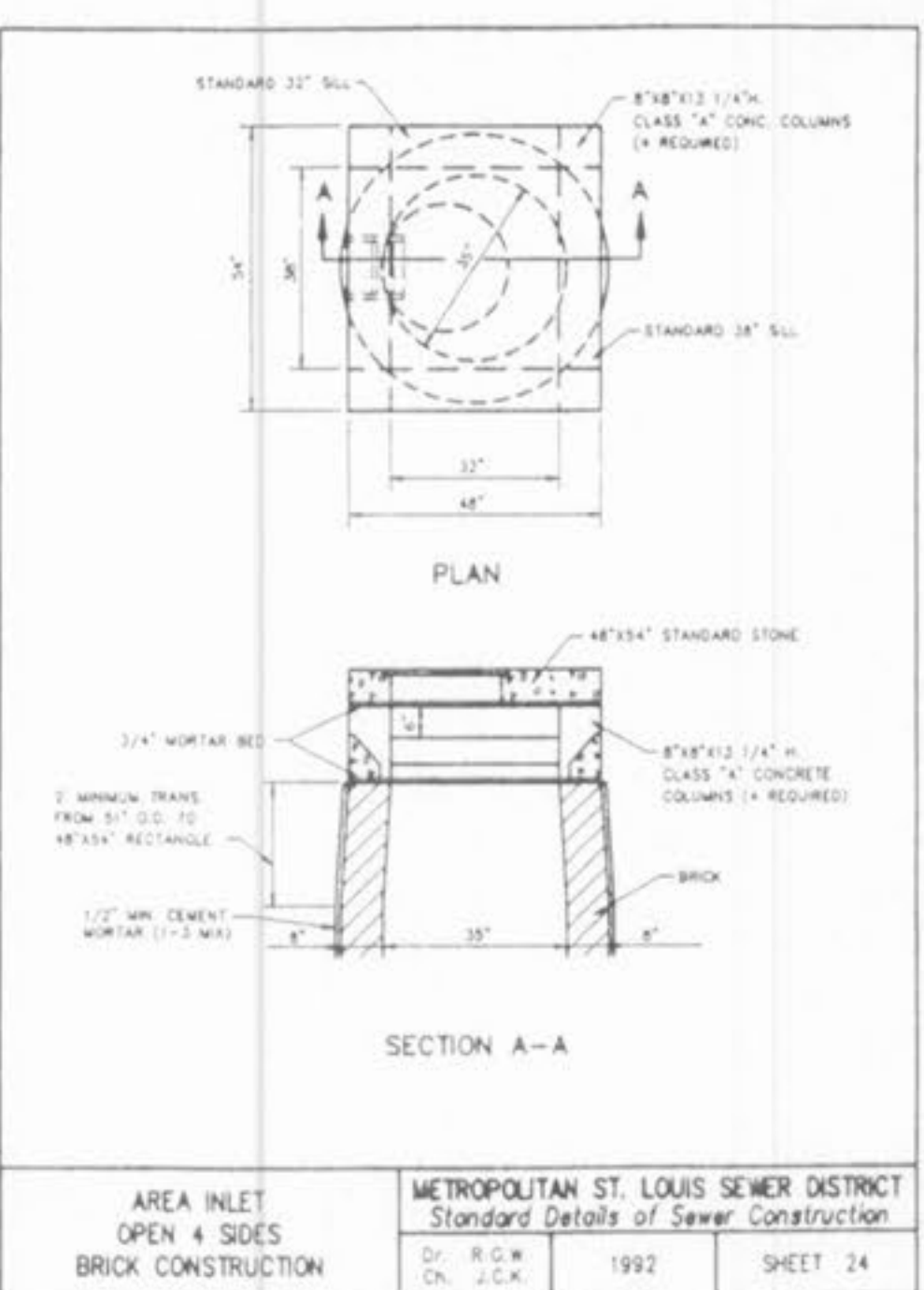
**UNTRAPPED STREET INLET BRICK CONSTRUCTION**  
 METROPOLITAN ST. LOUIS SEWER DISTRICT  
 Standard Details of Sewer Construction  
 Dr. W.S.H. Ch. J.C.K. 1992 SHEET 20



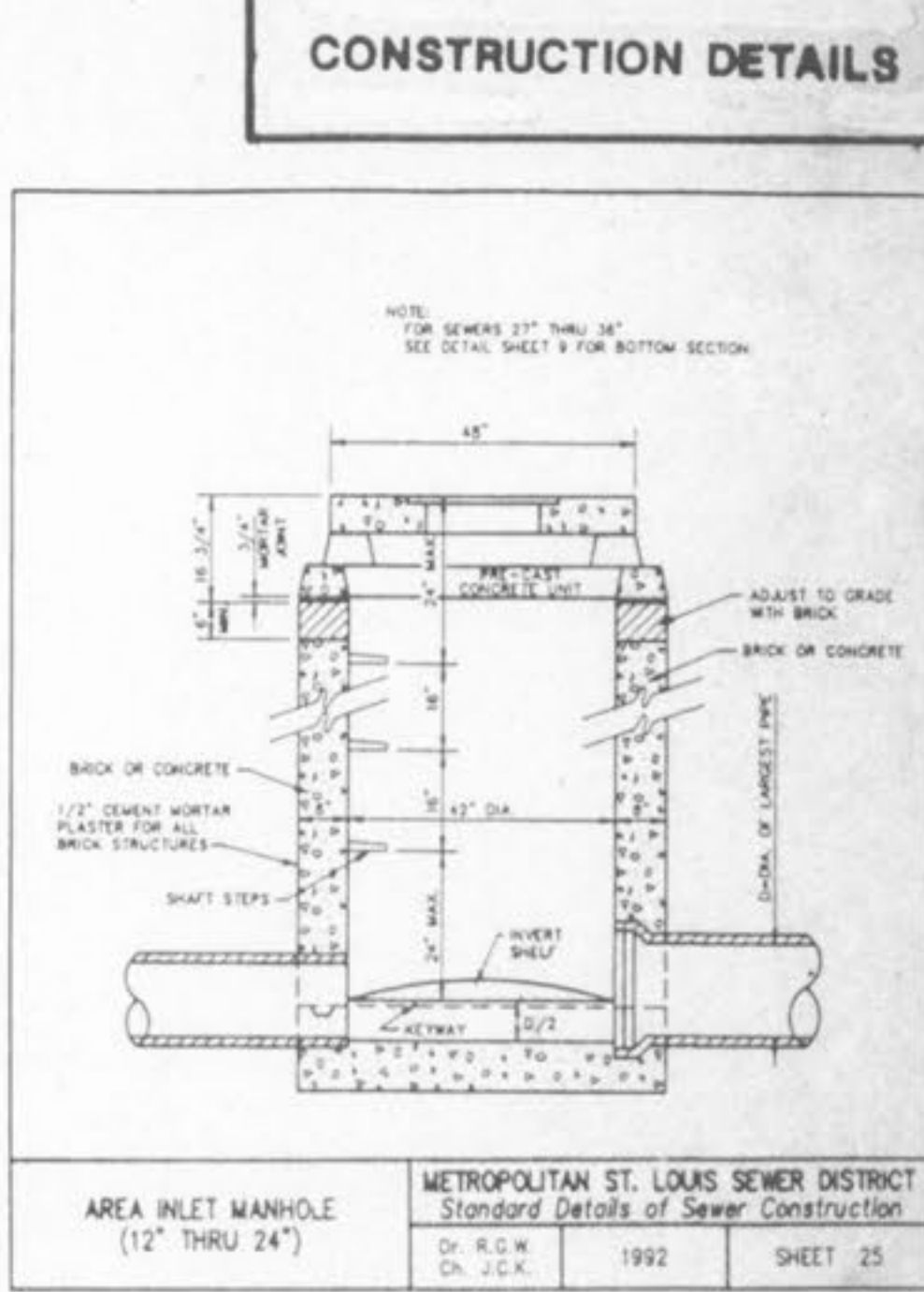
**MULTIPLE STREET INLET BRICK CONSTRUCTION**  
 METROPOLITAN ST. LOUIS SEWER DISTRICT  
 Standard Details of Sewer Construction  
 Dr. D.A.B. Ch. J.C.K. 1992 SHEET 22



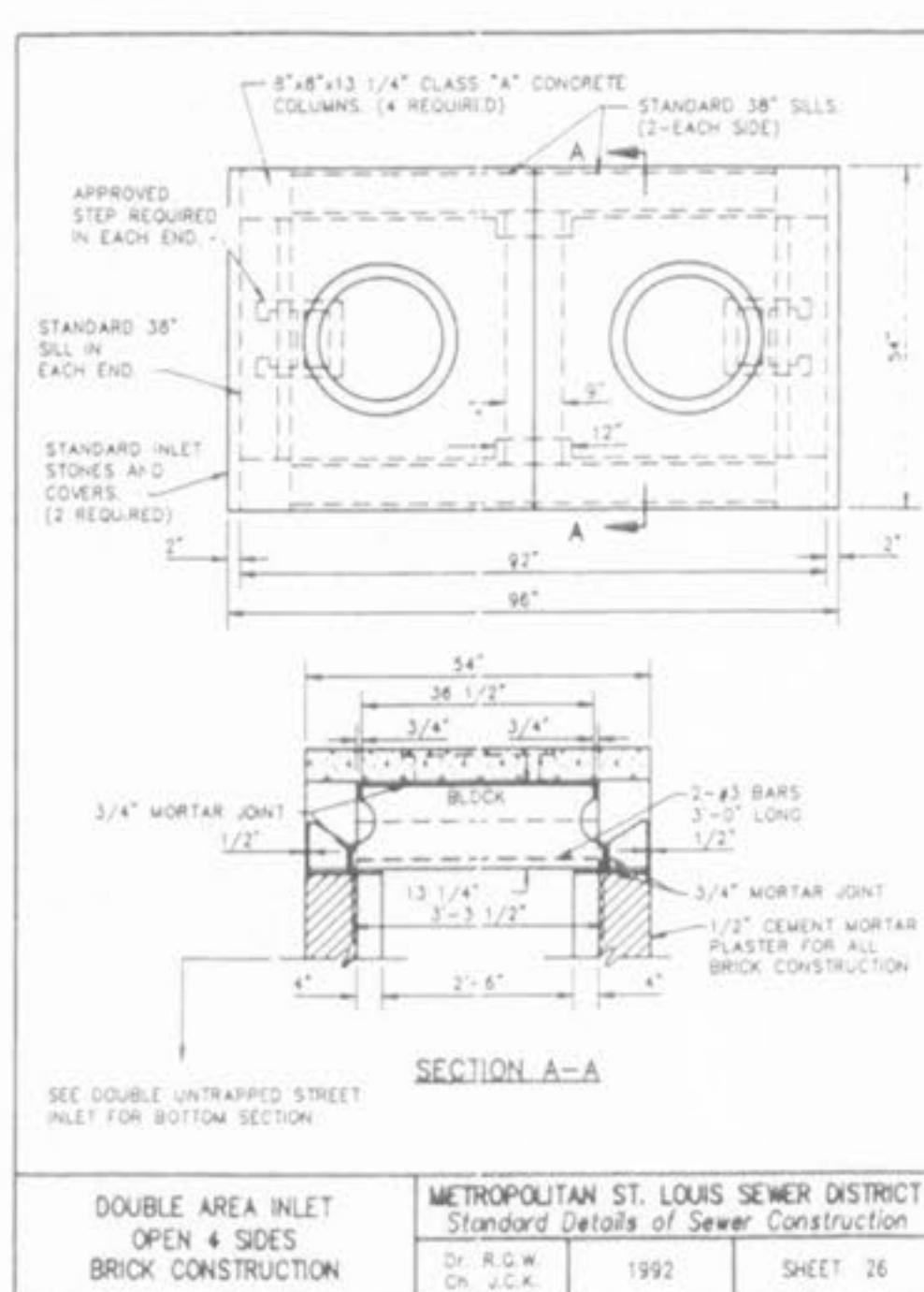
**DOUBLE UNTRAPPED STREET INLET BRICK CONSTRUCTION**  
 METROPOLITAN ST. LOUIS SEWER DISTRICT  
 Standard Details of Sewer Construction  
 Dr. D.A.B. Ch. J.C.K. 1992 SHEET 23



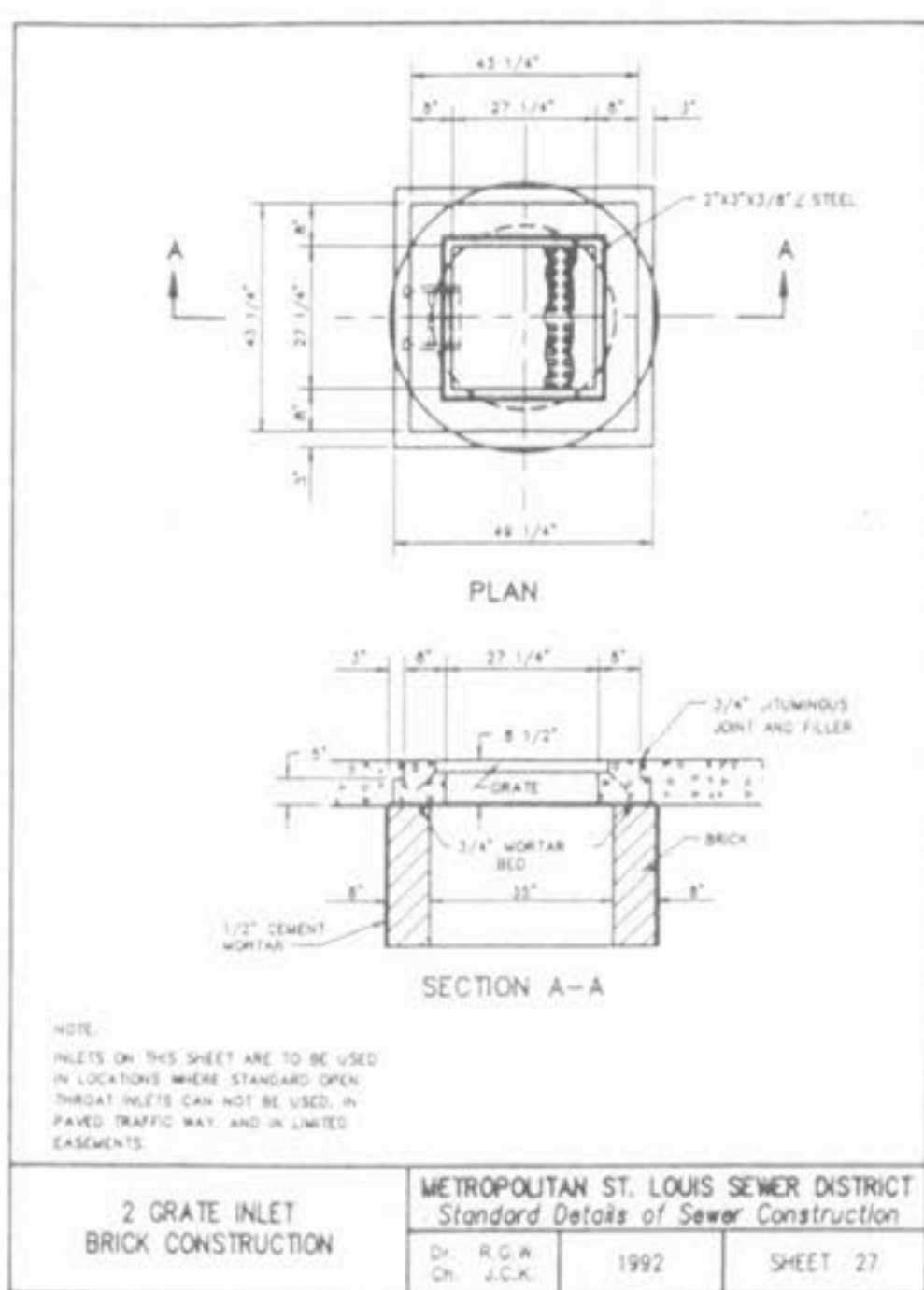
**AREA INLET OPEN 4 SIDES BRICK CONSTRUCTION**  
 METROPOLITAN ST. LOUIS SEWER DISTRICT  
 Standard Details of Sewer Construction  
 Dr. R.G.W. Ch. J.C.K. 1992 SHEET 24



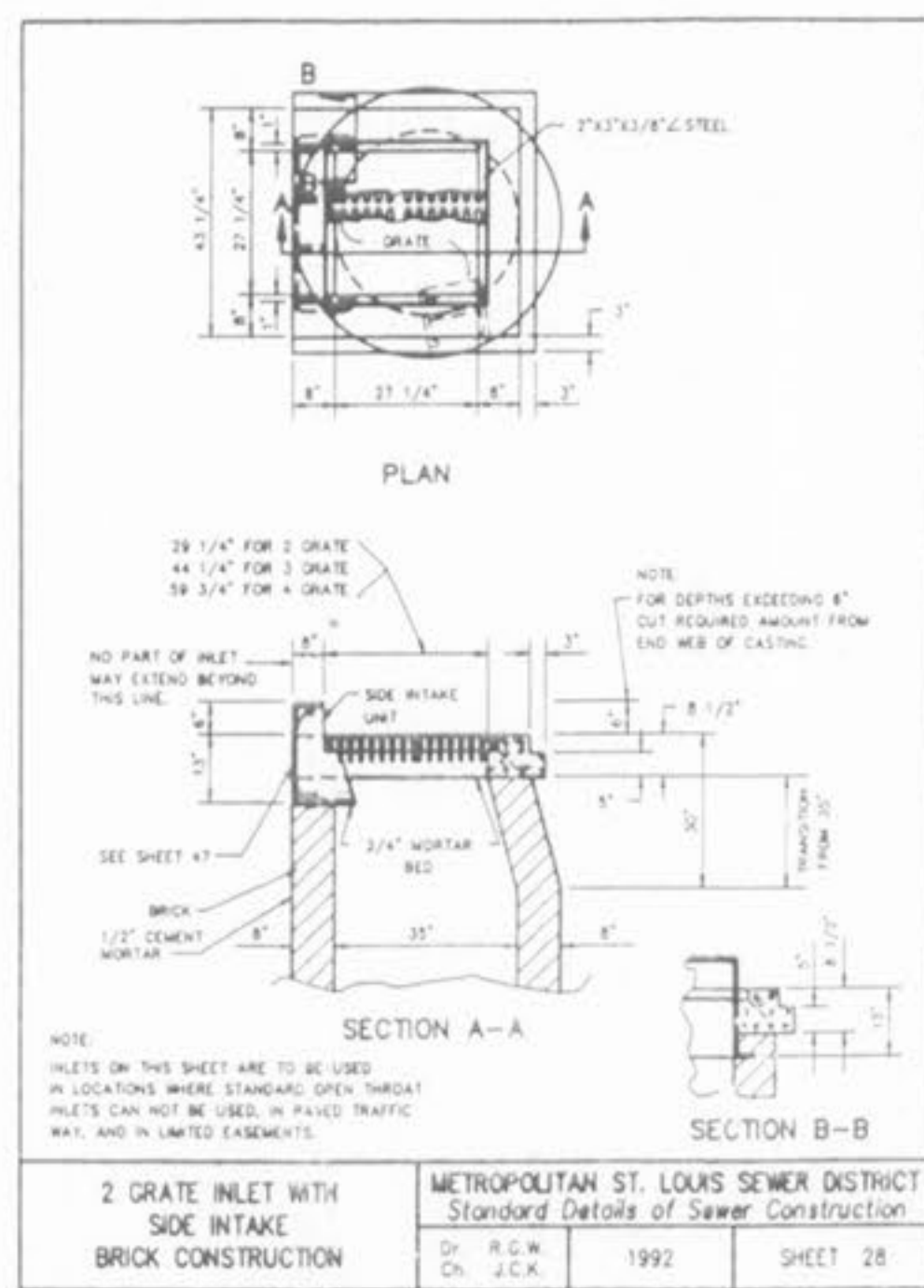
**AREA INLET MANHOLE (12" THRU 24")**  
 METROPOLITAN ST. LOUIS SEWER DISTRICT  
 Standard Details of Sewer Construction  
 Dr. R.G.W. Ch. J.C.K. 1992 SHEET 25



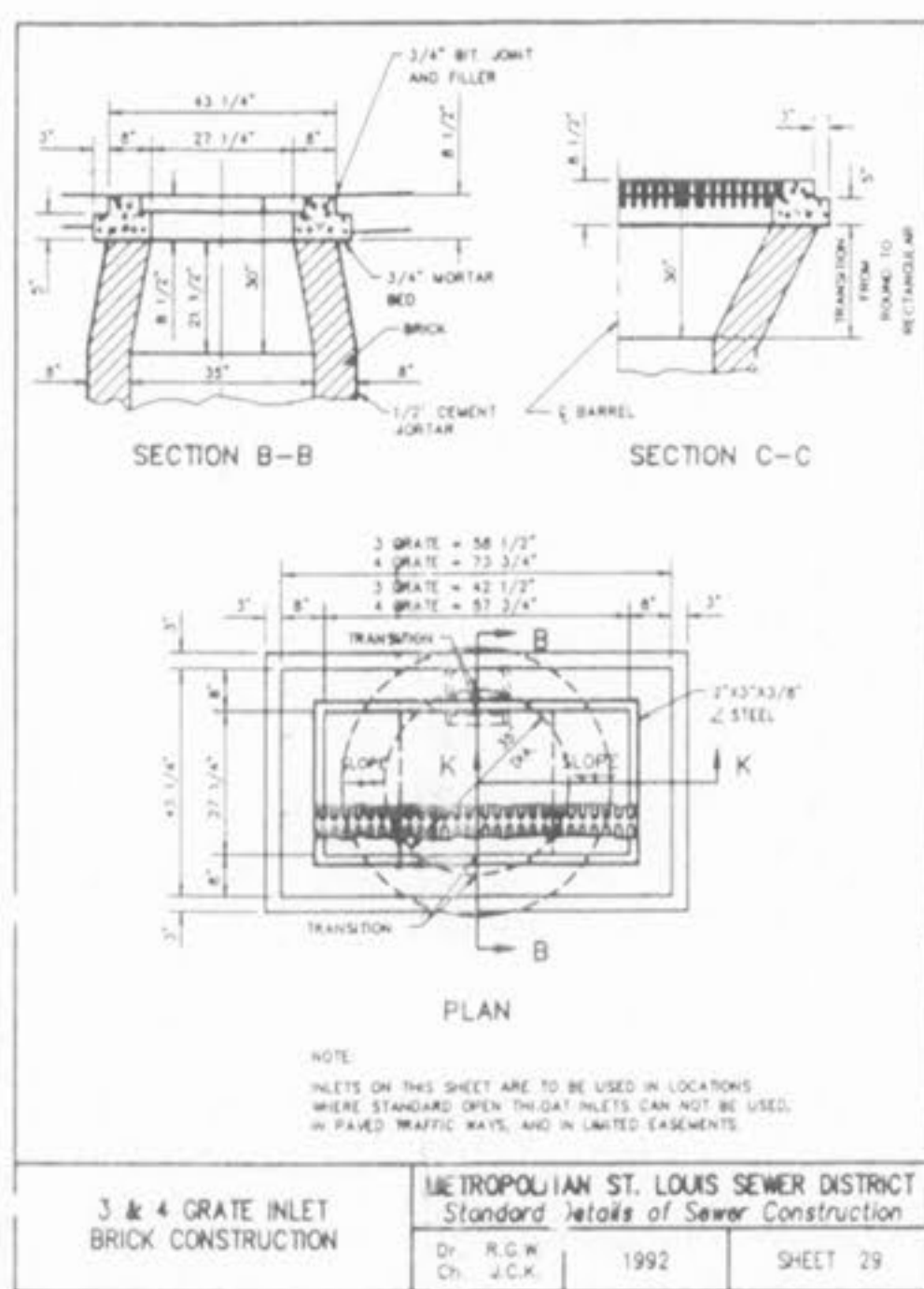
**DOUBLE AREA INLET OPEN 4 SIDES BRICK CONSTRUCTION**  
 METROPOLITAN ST. LOUIS SEWER DISTRICT  
 Standard Details of Sewer Construction  
 Dr. R.G.W. Ch. J.C.K. 1992 SHEET 26



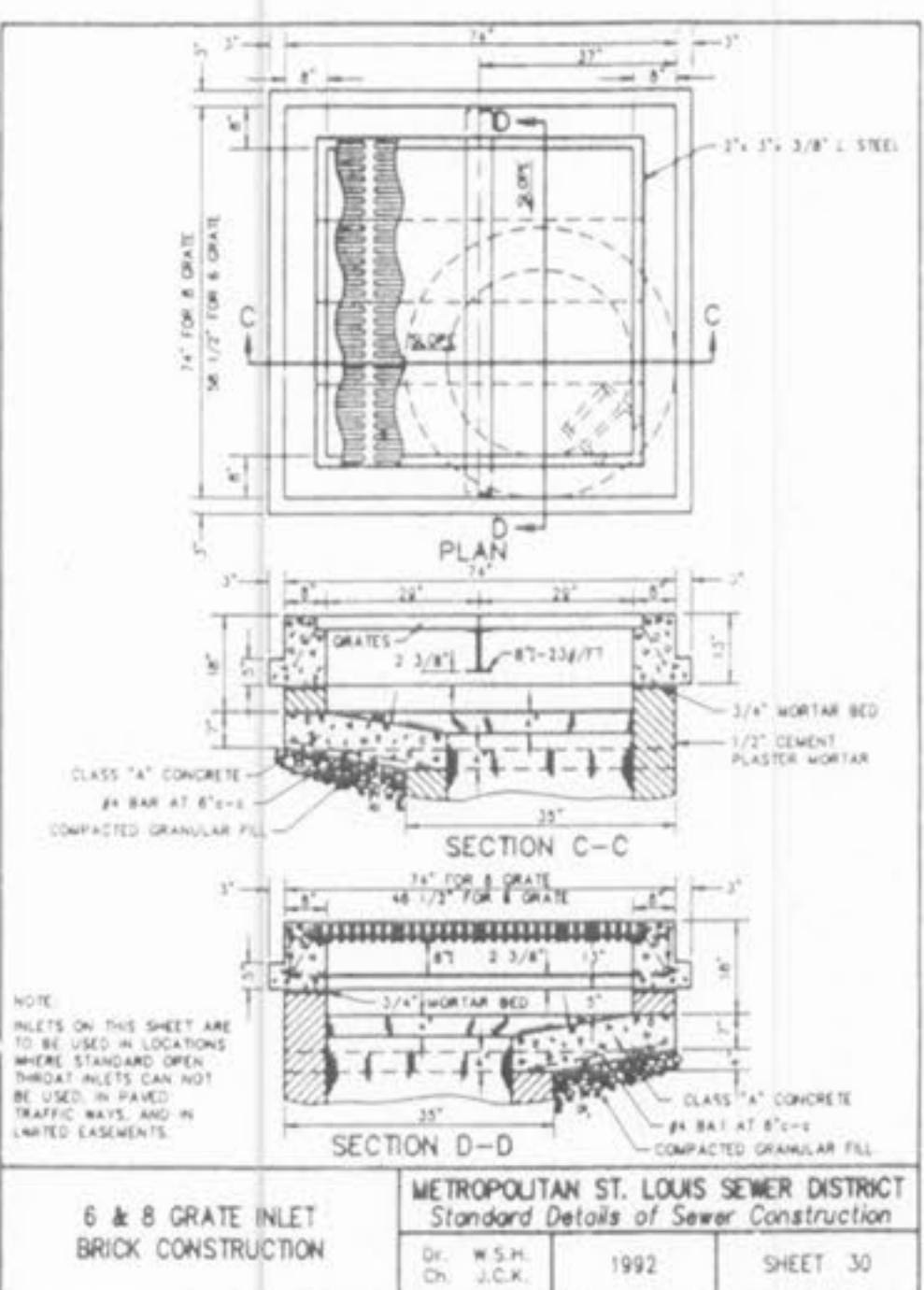
**2 GRATE INLET BRICK CONSTRUCTION**  
 METROPOLITAN ST. LOUIS SEWER DISTRICT  
 Standard Details of Sewer Construction  
 Dr. R.G.W. Ch. J.C.K. 1992 SHEET 27



**2 GRATE INLET WITH SIDE INTAKE BRICK CONSTRUCTION**  
 METROPOLITAN ST. LOUIS SEWER DISTRICT  
 Standard Details of Sewer Construction  
 Dr. R.G.W. Ch. J.C.K. 1992 SHEET 28



**3 & 4 GRATE INLET BRICK CONSTRUCTION**  
 METROPOLITAN ST. LOUIS SEWER DISTRICT  
 Standard Details of Sewer Construction  
 Dr. R.G.W. Ch. J.C.K. 1992 SHEET 29



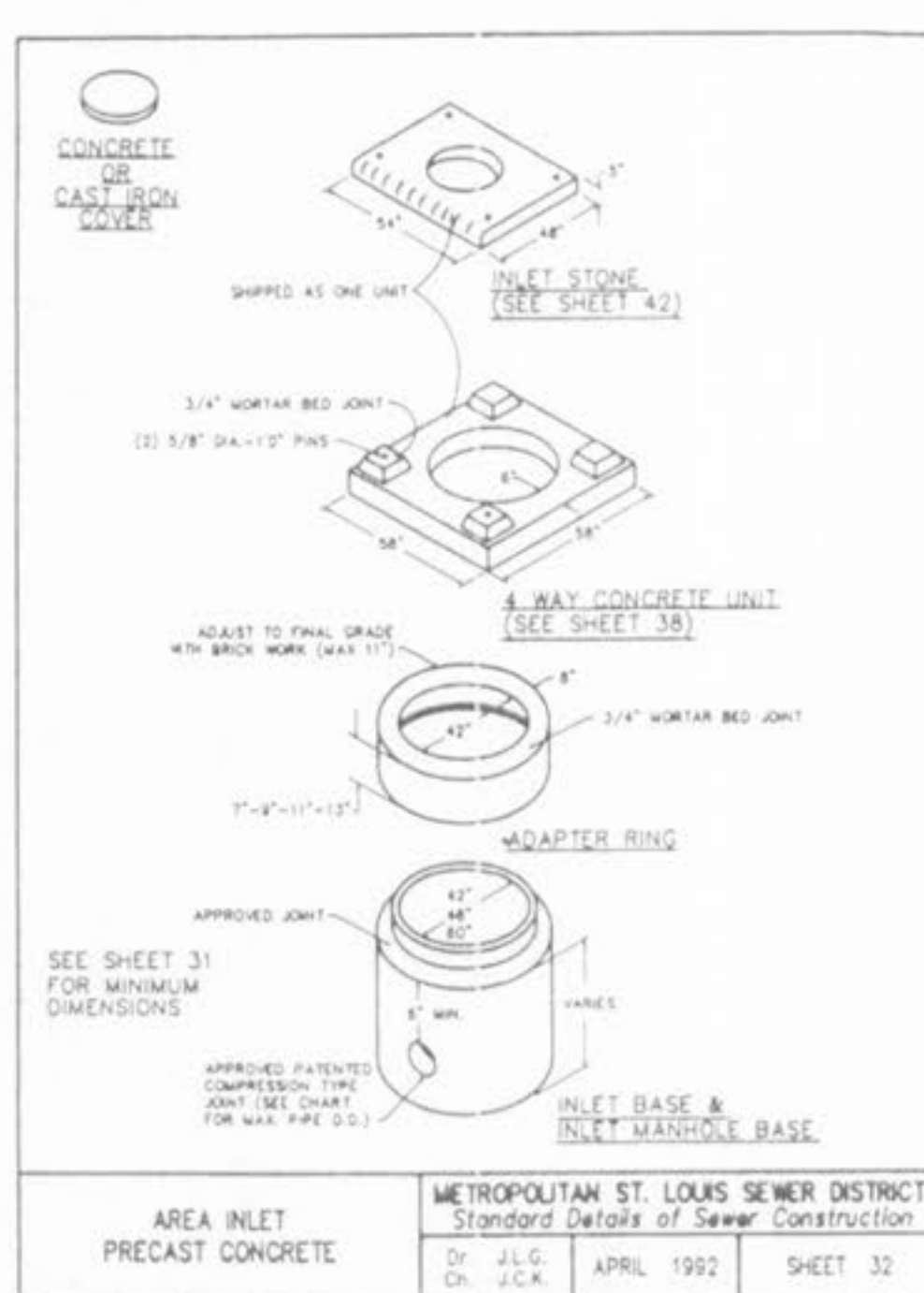
**6 & 8 GRATE INLET BRICK CONSTRUCTION**  
 METROPOLITAN ST. LOUIS SEWER DISTRICT  
 Standard Details of Sewer Construction  
 Dr. W.S.H. Ch. J.C.K. 1992 SHEET 30

**PRECAST CONCRETE STORMWATER STRUCTURES**  
 MINIMUM DISTANCE FLOWLINE TO TOP OF STONE OR GRATE

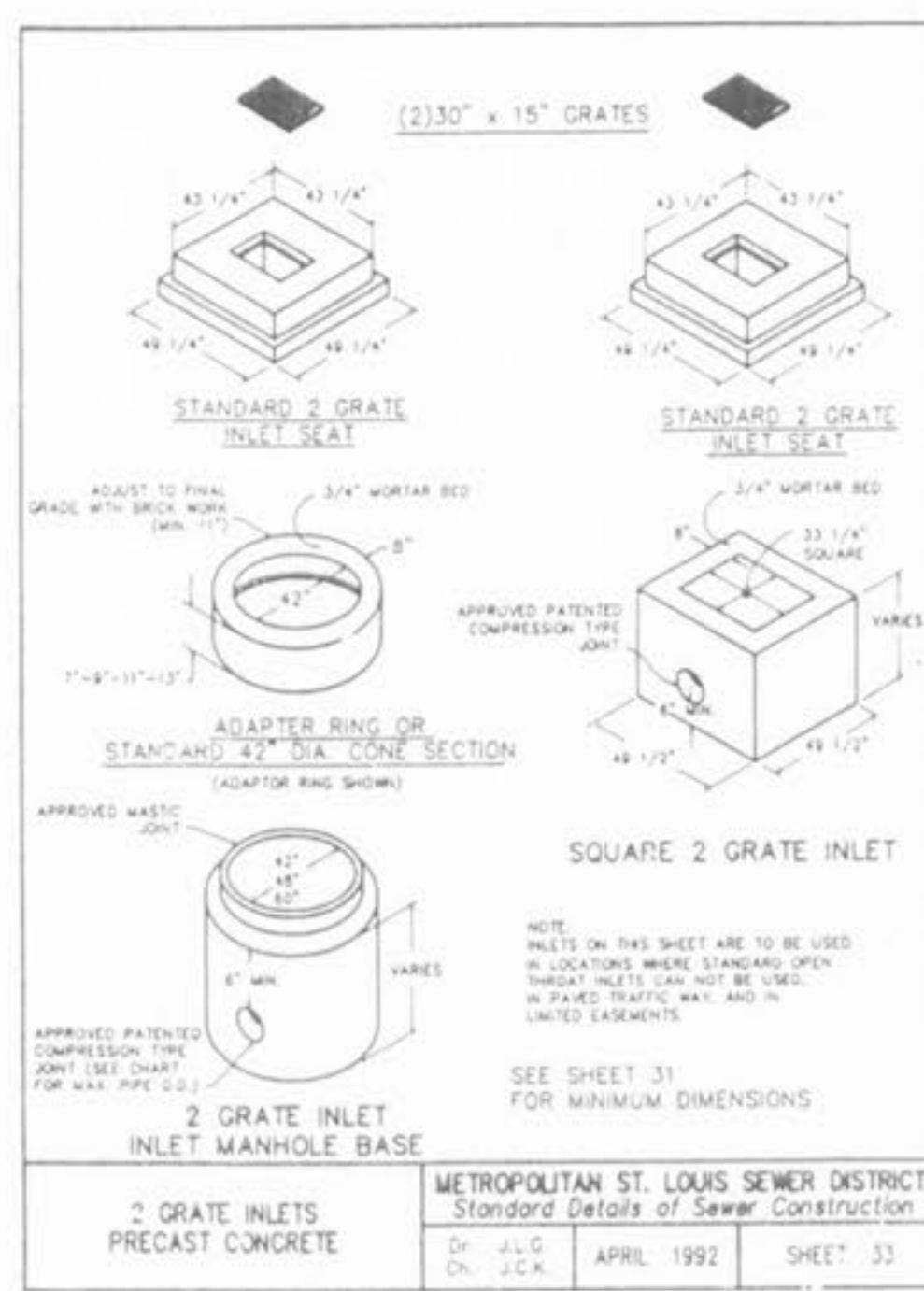
PIPE (NOMINAL HIGHER)	AREA INLET CIRCULAR BASE DIA.	2 GRATE INLET CIRCULAR BASE DIA.	SQUARE CIRCULAR BASE DIA.	SINGLE STREET INLET CIRCULAR BASE DIA. RECTANGULAR THROAT
12"	32"	32"	32"	32"
15"	41"	41"	41"	41"
18"	50"	50"	50"	50"
21"	59"	59"	59"	59"
24"	68"	68"	68"	68"
27"	77"	77"	77"	77"
30"	86"	86"	86"	86"
33"	95"	95"	95"	95"

NOTE: 1. 48" DIA. BASE REQUIRES 1" HIGH TRANSITION SECTION TO 42" DIA. SIMILAR TO "ADAPTER RING" SHEET 21.  
 2. 60" DIA. BASE REQUIRES 2" HIGH CONCENTRIC REDUCER TRANSITION TO 42" DIA. SIMILAR TO "ADAPTER RING" SHEET 22.

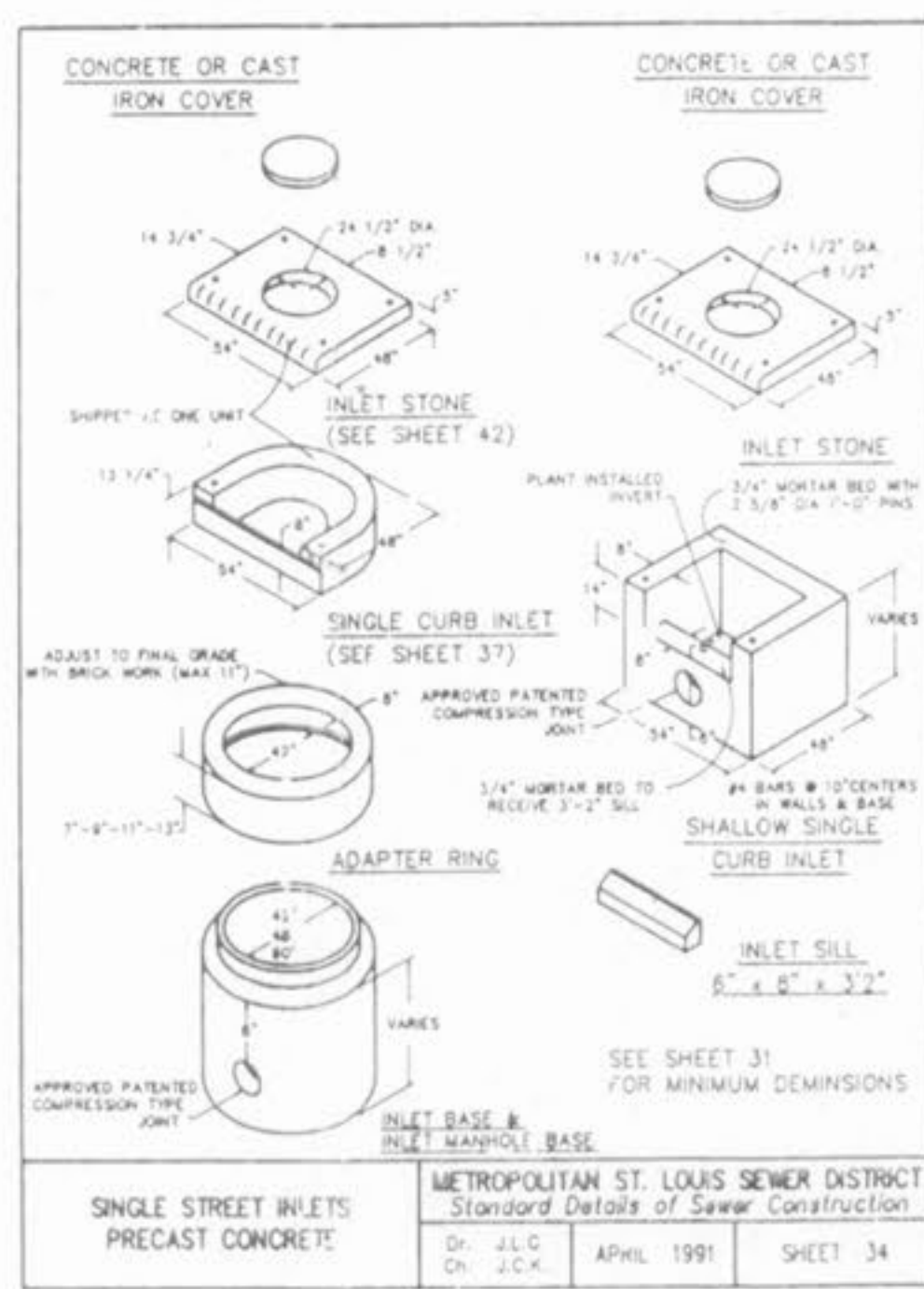
**PRECAST CONCRETE STORMWATER STRUCTURES**  
 METROPOLITAN ST. LOUIS SEWER DISTRICT  
 Standard Details of Sewer Construction  
 Dr. J.L.G. Ch. J.C.K. SEPT 1990 SHEET 31



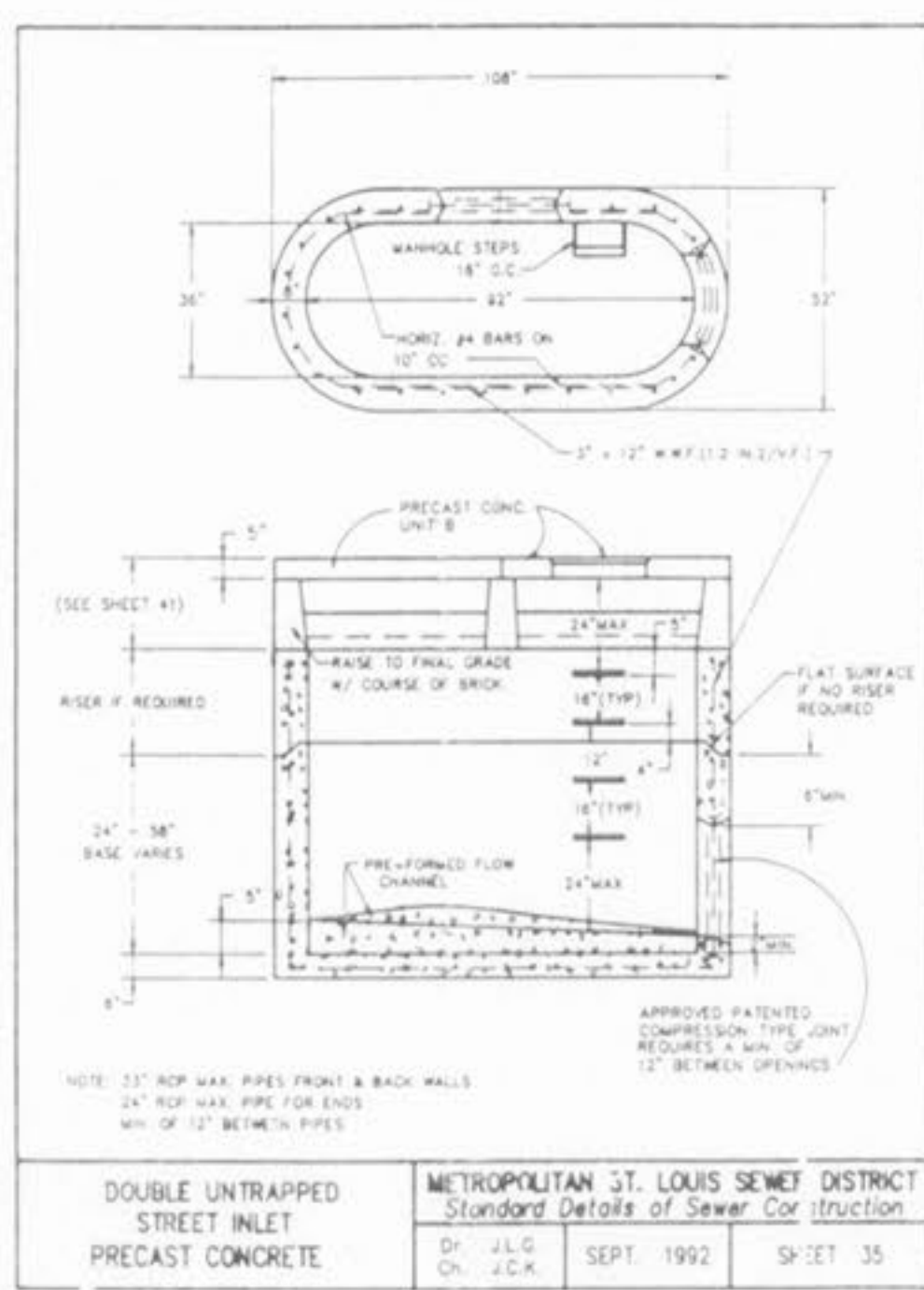
**AREA INLET PRECAST CONCRETE**  
 METROPOLITAN ST. LOUIS SEWER DISTRICT  
 Standard Details of Sewer Construction  
 Dr. J.L.G. Ch. J.C.K. APRIL 1992 SHEET 32



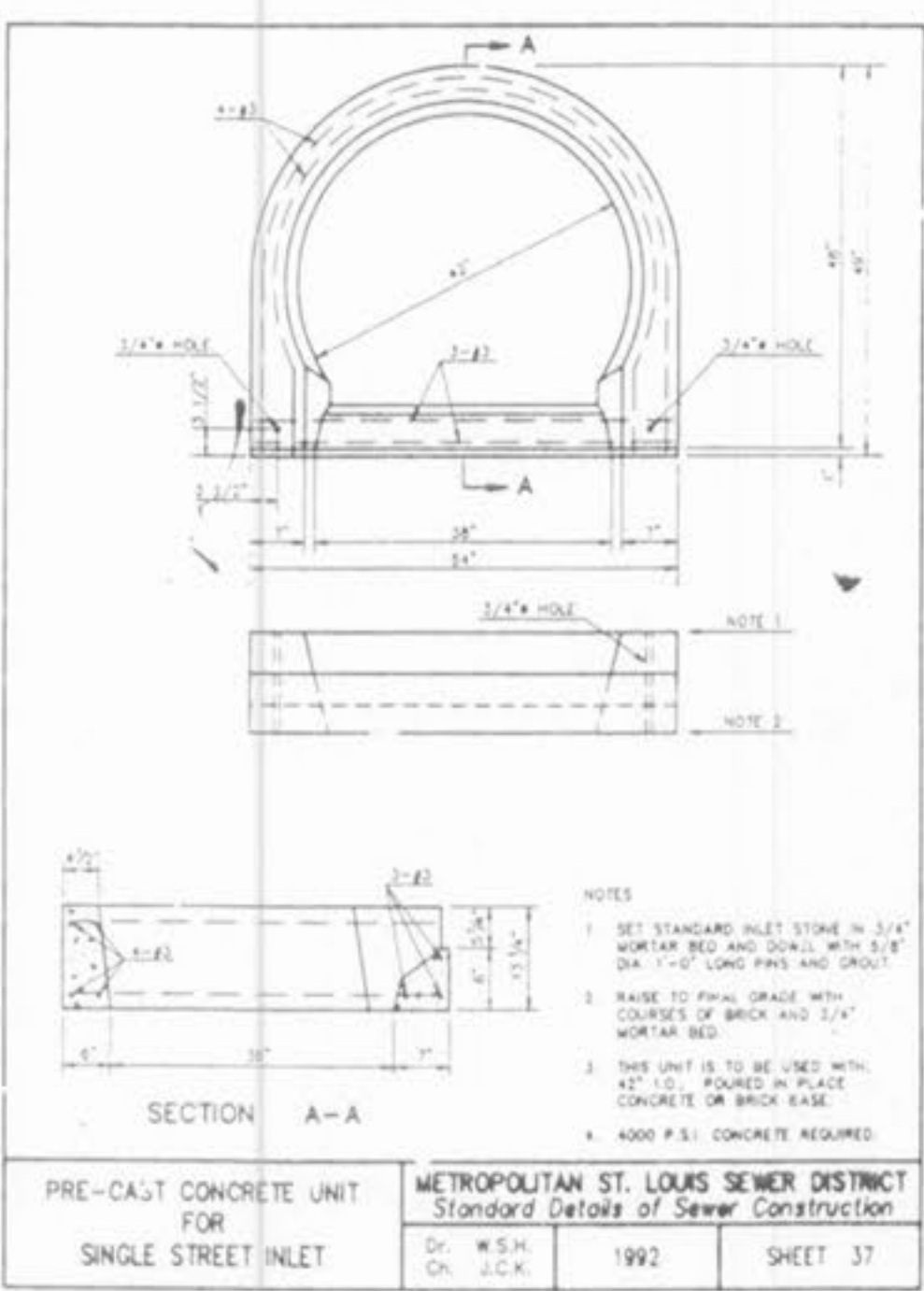
**2 GRATE INLETS PRECAST CONCRETE**  
 METROPOLITAN ST. LOUIS SEWER DISTRICT  
 Standard Details of Sewer Construction  
 Dr. J.L.G. Ch. J.C.K. APRIL 1992 SHEET 33



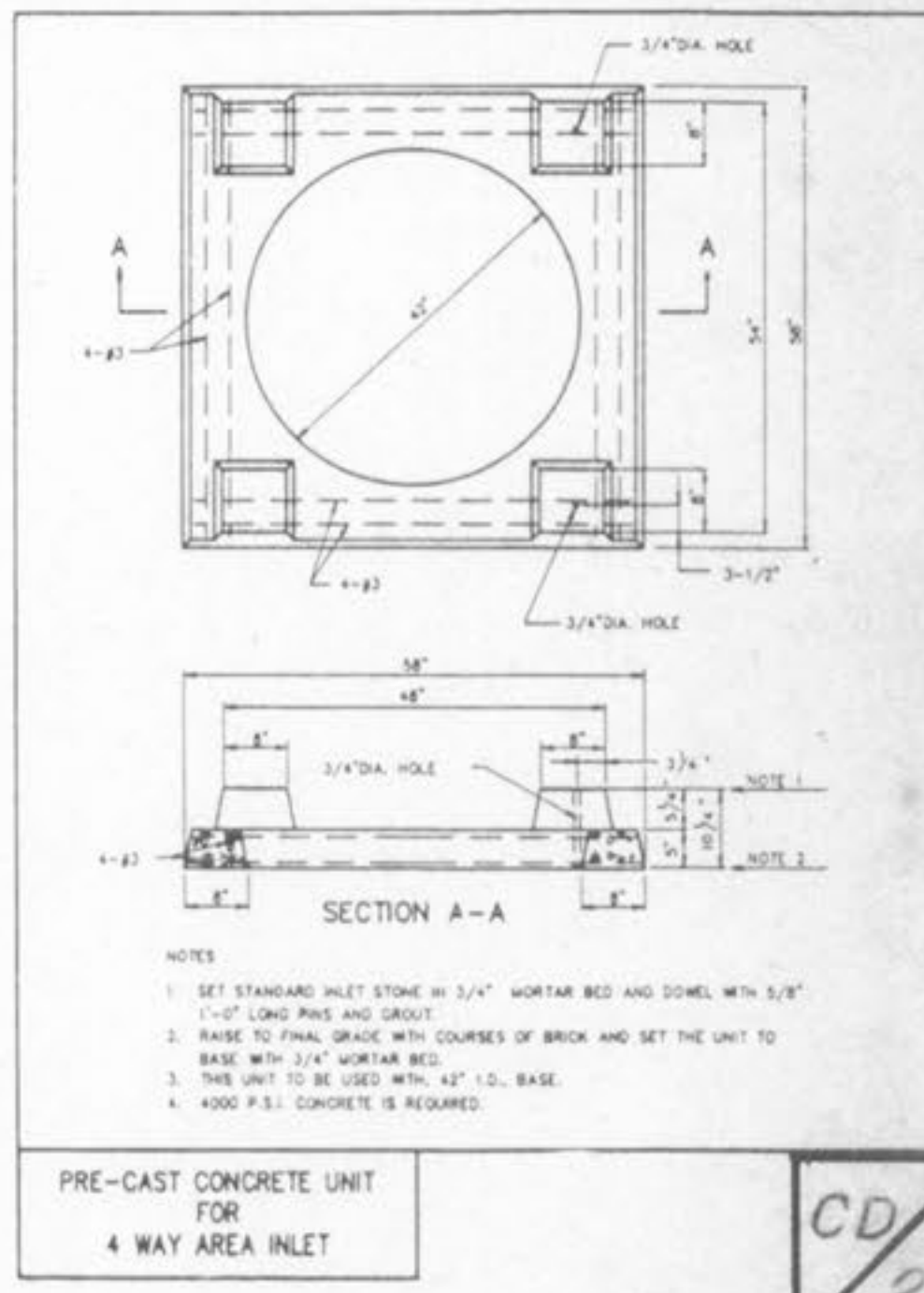
**SINGLE STREET INLETS PRECAST CONCRETE**  
 METROPOLITAN ST. LOUIS SEWER DISTRICT  
 Standard Details of Sewer Construction  
 Dr. J.L.G. Ch. J.C.K. APRIL 1991 SHEET 34



**DOUBLE UNTRAPPED STREET INLET PRECAST CONCRETE**  
 METROPOLITAN ST. LOUIS SEWER DISTRICT  
 Standard Details of Sewer Construction  
 Dr. J.L.G. Ch. J.C.K. SEPT. 1992 SHEET 35



**PRE-CAST CONCRETE UNIT FOR SINGLE STREET INLET**  
 METROPOLITAN ST. LOUIS SEWER DISTRICT  
 Standard Details of Sewer Construction  
 Dr. W.S.H. Ch. J.C.K. 1992 SHEET 37



**PRE-CAST CONCRETE UNIT FOR 4 WAY AREA INLET**  
 METROPOLITAN ST. LOUIS SEWER DISTRICT  
 Standard Details of Sewer Construction  
 Dr. W.S.H. Ch. J.C.K. 1992 SHEET 37

CD  
2