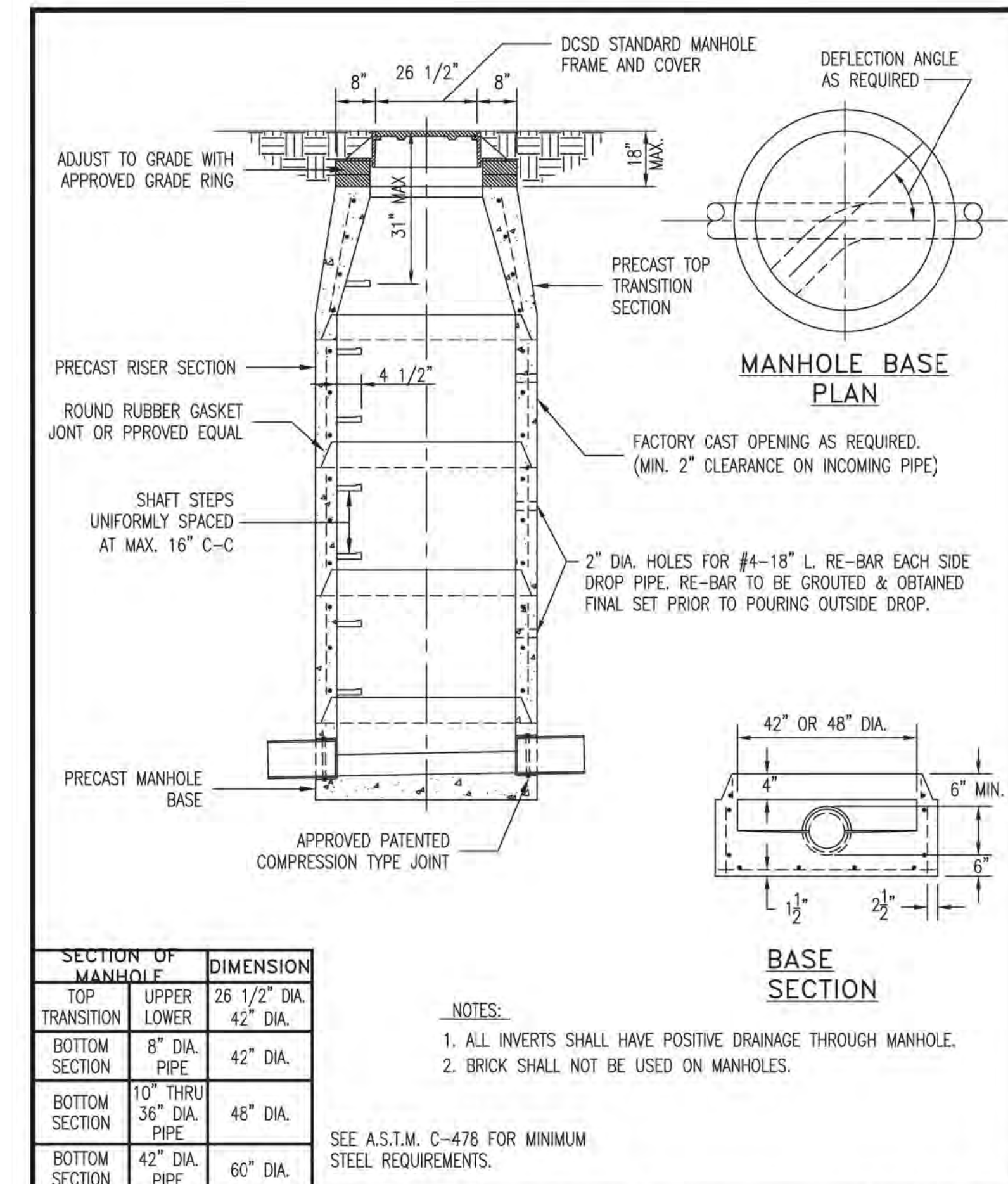
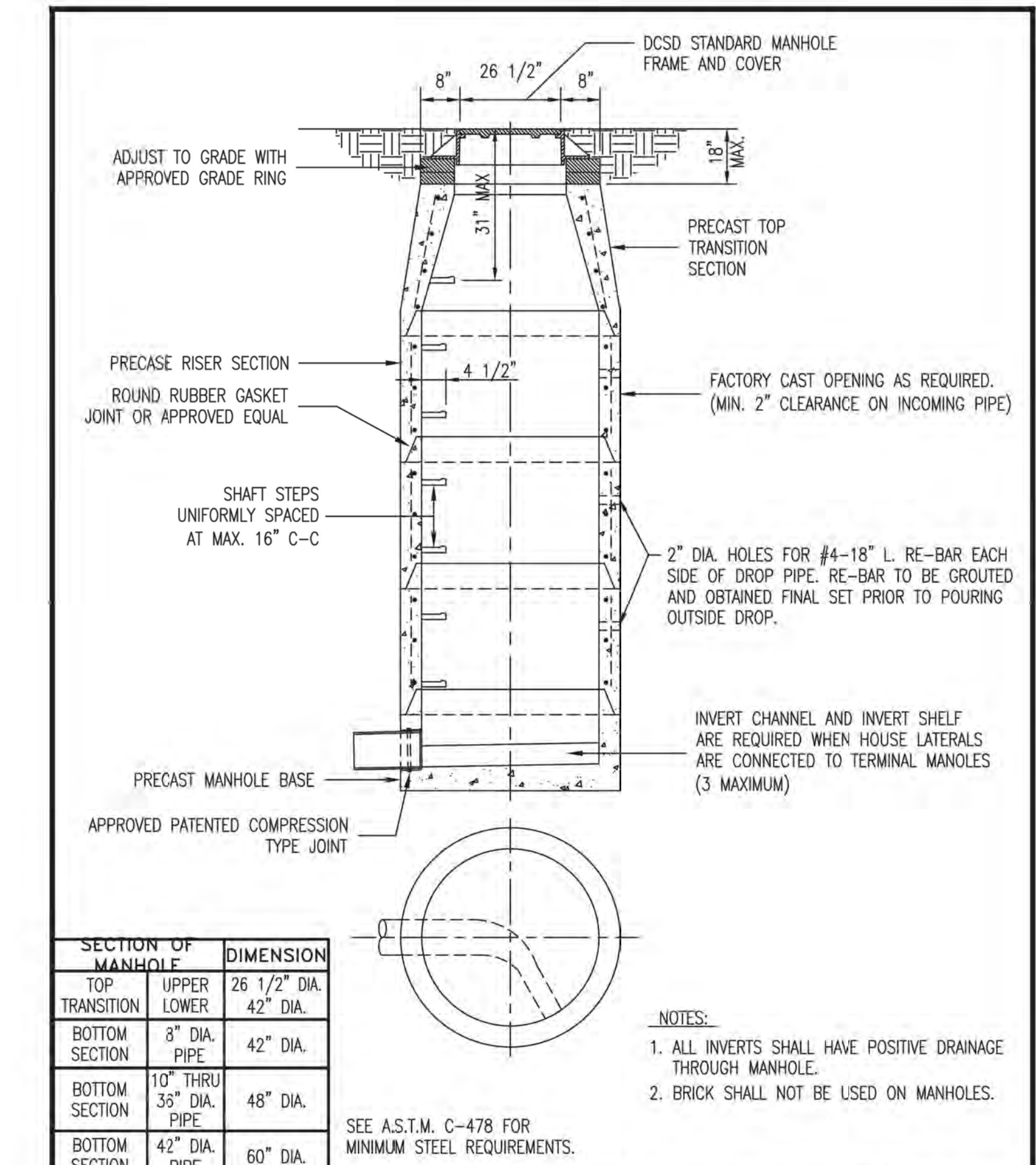


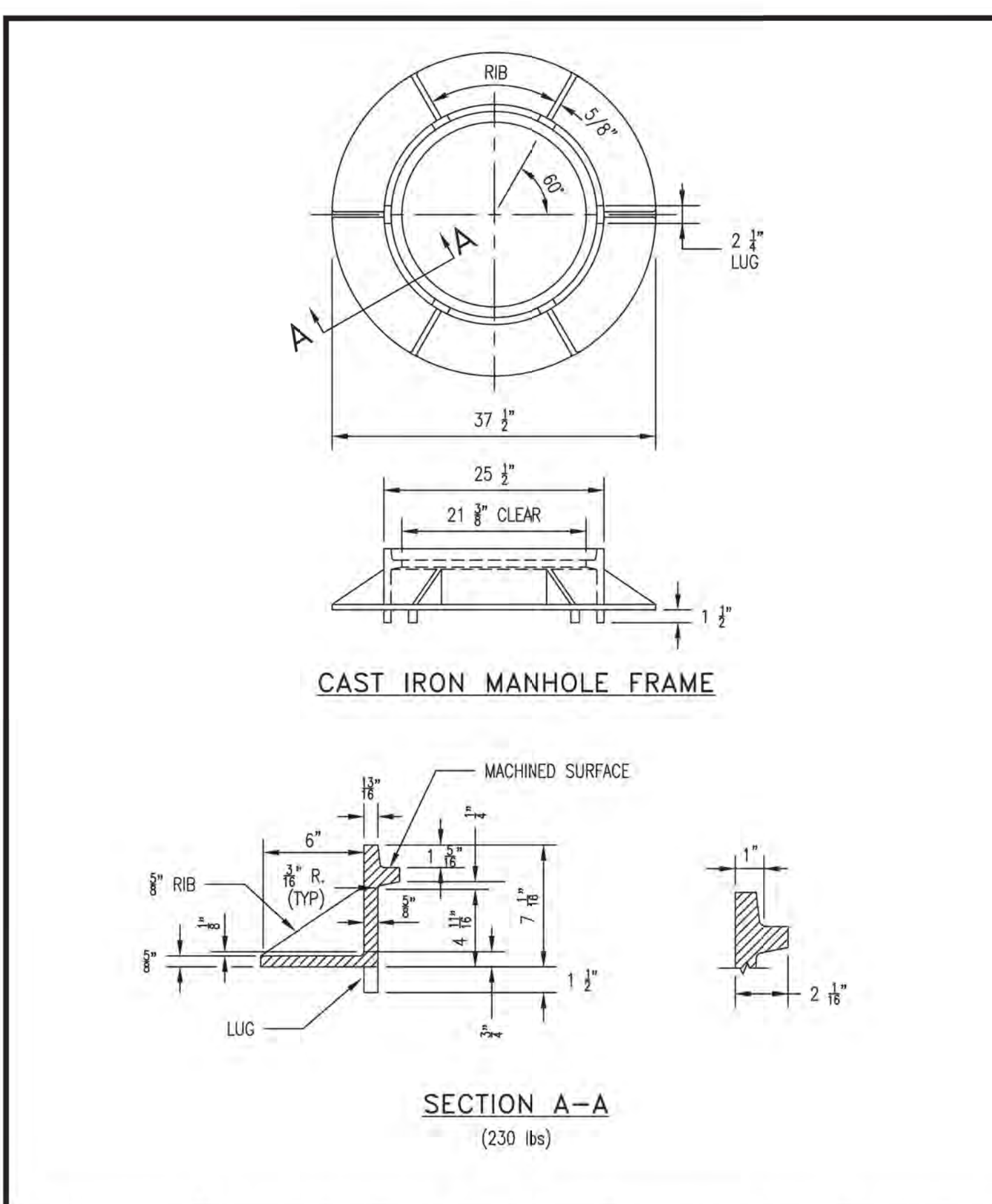
Duckett Creek Sanitary District
 PIPE BEDDING CLASS "C" (FOR ALL EXCEPT REINFORCED CONCRETE PIPE)
 Dwn By: BSM App By: KA Detail No. 3
 Ckd By: MDOB Date: JULY 2016



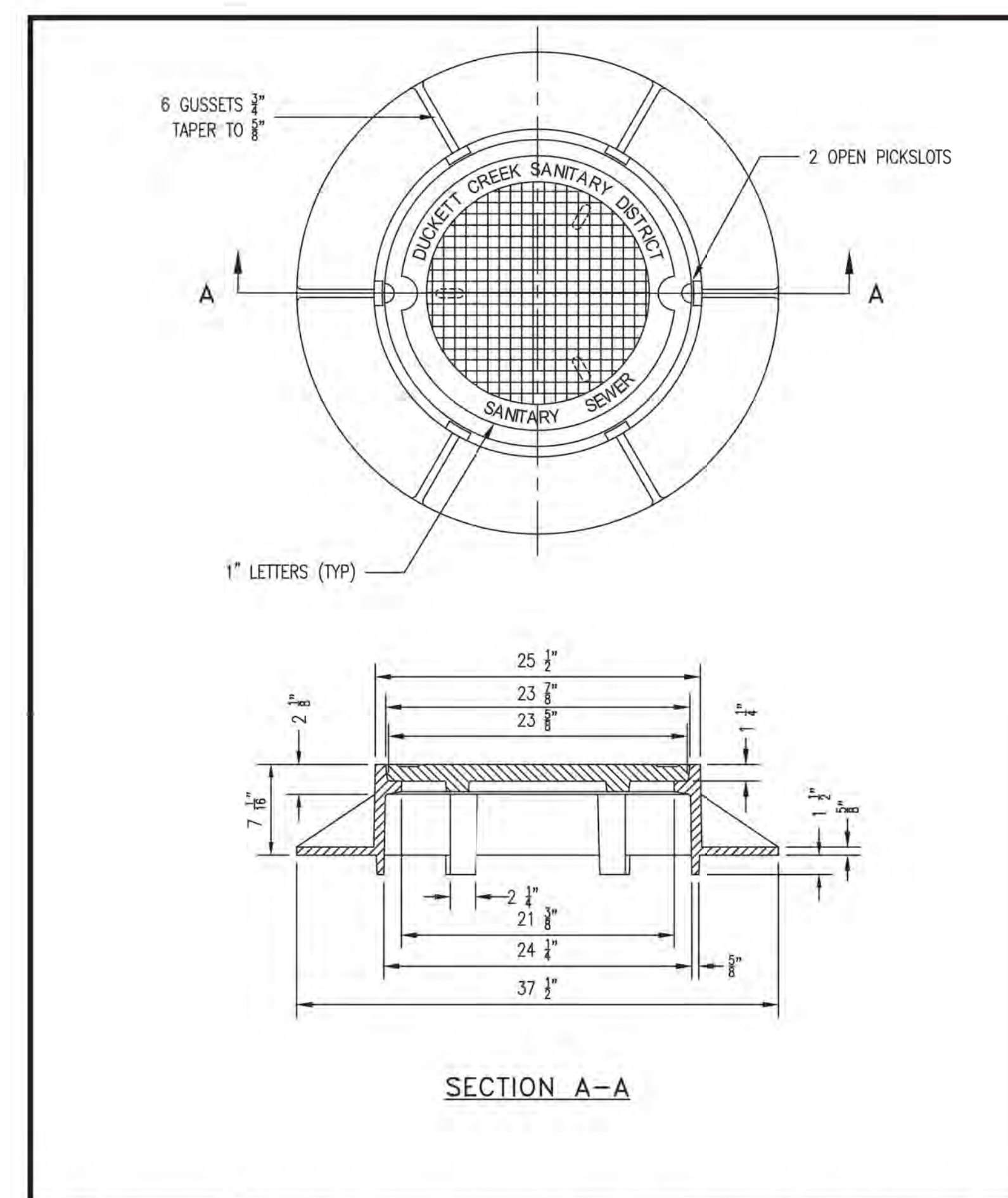
Duckett Creek Sanitary District
 PRECAST CONCRETE MANHOLE FOR SEWERS 8" THROUGH 18" BSM
 Dwn By: BSM App By: KLA Detail No. 7
 Ckd By: MDOB Date: DEC. 2015



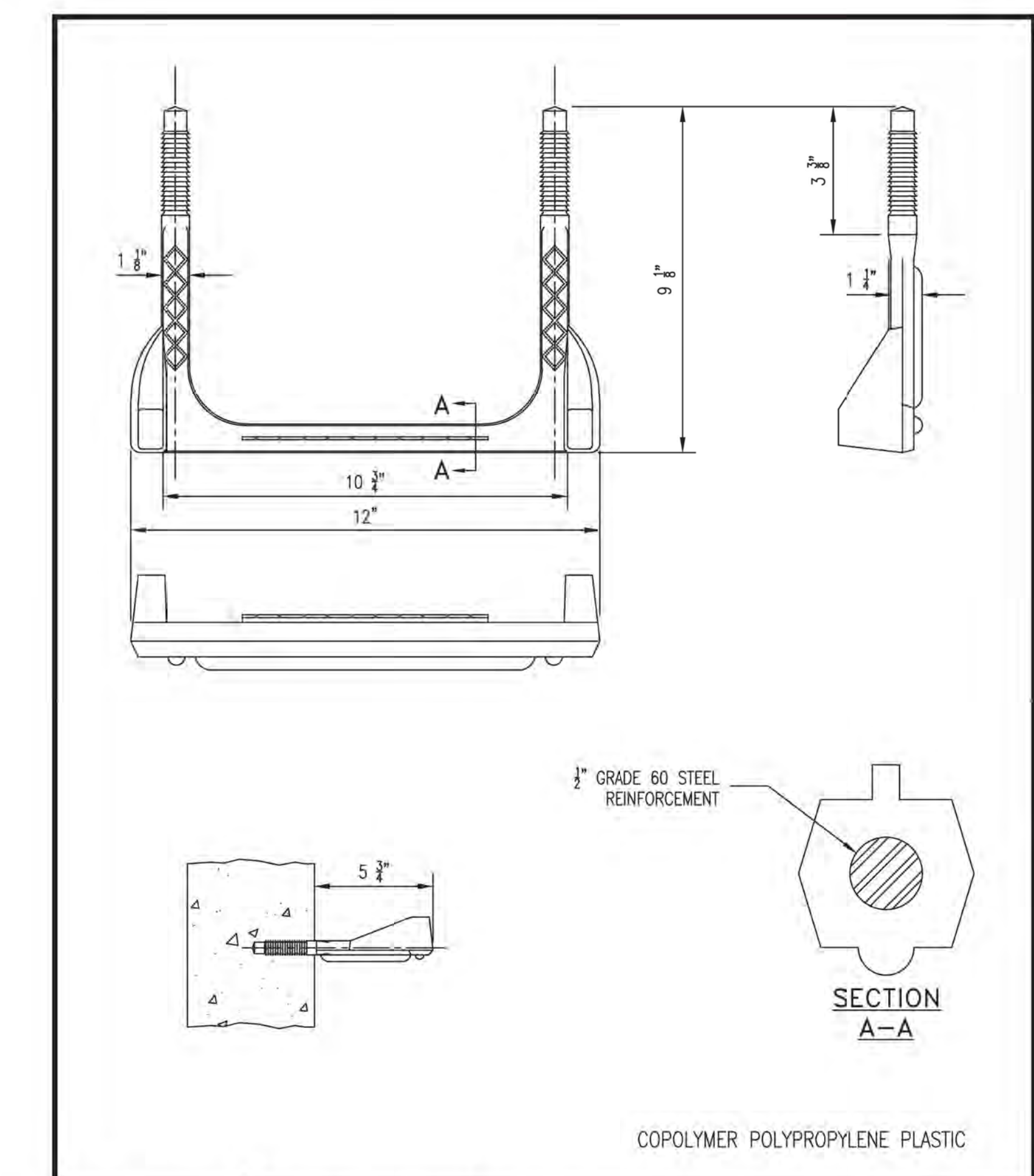
Duckett Creek Sanitary District
 TERMINAL MANHOLE FOR SEWERS 8" THROUGH 18"
 Dwn By: BSM App By: KLA Detail No. 8
 Ckd By: MDOB Date: DEC. 2015



Duckett Creek Sanitary District
 CAST IRON MANHOLE FRAME
 Dwn By: BSM App By: KLA Detail No. 11
 Ckd By: MDOB Date: DEC. 2015



Duckett Creek Sanitary District
 MANHOLE FRAME AND COVER
 Dwn By: BSM App By: KLA Detail No. 12
 Ckd By: MDOB Date: DEC. 2015



Duckett Creek Sanitary District
 MANHOLE STEP FOR PRECAST MANHOLE
 Dwn By: BSM App By: KA Detail No. 18
 Ckd By: MDOB Date: DEC. 2015

THE WORK PREPARED BY OR UNDER THE AUTHORITY OF THIS SEAL AND DATED HEREON IS THE PROPERTY OF VANCE ENGINEERING, INC. AND IS NOT TO BE REPRODUCED, COPIED, OR TRANSMITTED IN ANY FORM OR BY ANY MEANS, ELECTRONIC OR MECHANICAL, INCLUDING PHOTOCOPYING, RECORDING, OR BY ANY INFORMATION STORAGE AND RETRIEVAL SYSTEM, WITHOUT THE WRITTEN PERMISSION OF VANCE ENGINEERING, INC. THE ENGINEER ASSUMES NO LIABILITY FOR DAMAGES OF ANY KIND, INCLUDING CONSEQUENTIAL DAMAGES, ARISING FROM THE USE OF THIS WORK. THE USER OF THIS WORK SHALL BE RESPONSIBLE FOR OBTAINING ALL NECESSARY PERMITS AND APPROVALS FROM THE APPROPRIATE AGENCIES. THE USER SHALL BE RESPONSIBLE FOR OBTAINING ALL NECESSARY PERMITS AND APPROVALS FROM THE APPROPRIATE AGENCIES. THE USER SHALL BE RESPONSIBLE FOR OBTAINING ALL NECESSARY PERMITS AND APPROVALS FROM THE APPROPRIATE AGENCIES. THE USER SHALL BE RESPONSIBLE FOR OBTAINING ALL NECESSARY PERMITS AND APPROVALS FROM THE APPROPRIATE AGENCIES.

Vance Engineering, Inc.
 10537 Lackland Road
 St. Louis, MO 63114
 P: 314.427.1800

Highway K Properties L.C.
 14151 Clayton Road
 Town and Country, MO 63017

MISSOURI STATE CERTIFICATE OF AUTHORITY NO. 2003022194
 VANCE ENGINEERING, INC.

KINGSMILL CROSSING
SANITARY SEWER DETAILS

MICHAEL CLAY VANCE, P.E.
 E-25616
 REVISED
 08/04/17 DCS
16078
 06/30/17
5 / 7
 COPYRIGHT 2017