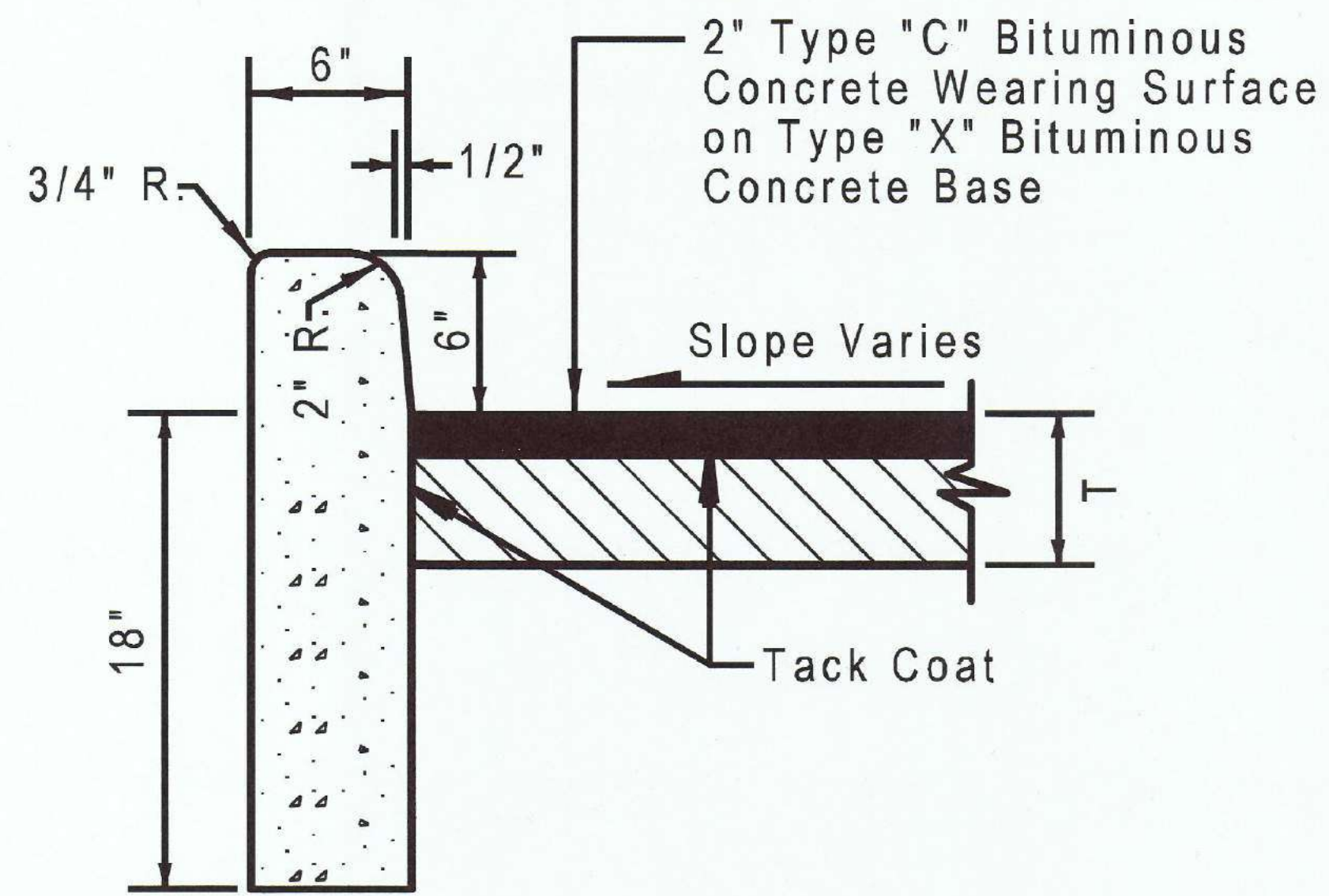
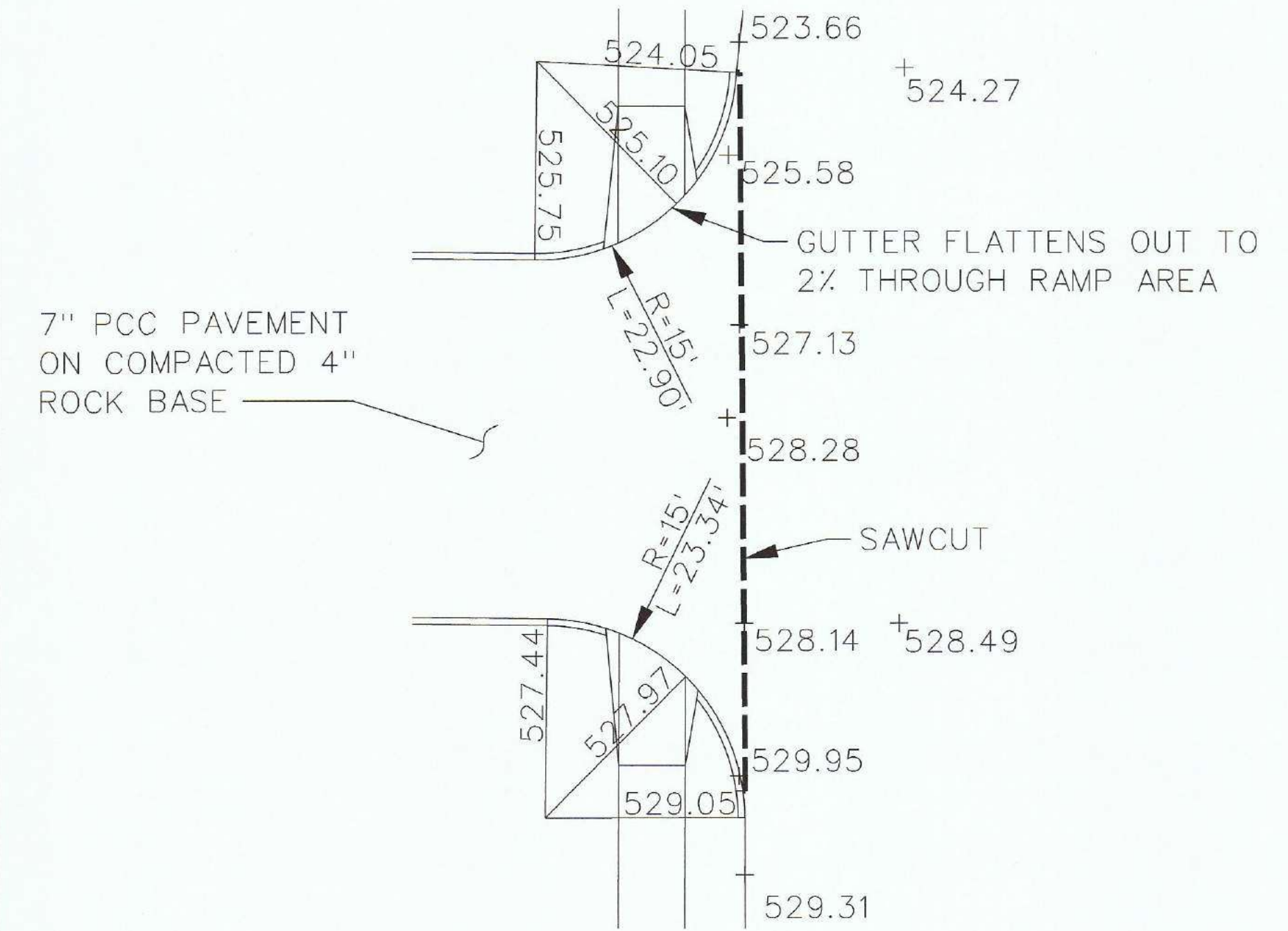


NOTES:
 1. ALL ADA PARKING PAVEMENT MARKING AND STALLS TO BE PAINTED BLUE PER CITY OF O'FALLON REQUIREMENTS.

HANDICAP MARKING PAVEMENT DETAIL NTS



TYPE "S" CONCRETE CURB NTS



NOTES:
 1. EXISTING PAVEMENT REMOVAL TO BE TO NEAREST JOINT.
 2. ELEVATIONS SHOWN AT THE GUTTER.

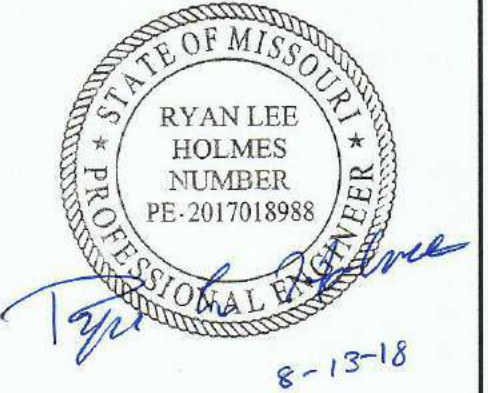
ENTRANCE WARPING DETAIL SCALE: 1"=10'-0"

REVISED
 #1 - 08 /09 /18

PROJECT TITLE
KNIGHTS OF COLUMBUS - O'FALLON
 SITE ADDRESS: 202 W. 3RD ST., O'FALLON, MO 63366
 PERMIT NO. CSP18-000025

ENGINEERING COMPANY'S INFORMATION
VOLZ Incorporated
 ENGINEERS LAND PLANNING LAND SURVEYING TRANSPORTATION CONST. MANAGEMENT
 10849 Indian Head Ind'l Blvd., St. Louis, Missouri 63132
 314.426.6212 Main 314.890.1250 Fax
 www.volzinc.com Authority #203

ORDER # 11344
 ENGINEER SIGNATURE BLOCK



Ryan L. Holmes
 Professional Engineer
 PE-2017018988

DEVELOPER / OWNER INFORMATION:
 Knights of Columbus - O'Fallon
 202 W. 3rd St.
 O'Fallon, MO 63366
CONSTRUCTION DETAILS SHEET 2

P&Z NO. 17-011060
 CITY NO.
 DATE: 01/02/2018
 PAGE NO.
C17