

ROUND PIPE				HORIZONTAL ELLIPTICAL PIPE			
INSIDE DIAMETER OF PIPE (INCHES)	"W" PAYLINE WIDTH OF TRENCH (INCHES)	"H" PAYLINE WIDTH OF TRENCH (FEET)	PAY-VOLUMES CU. FT. PER FT. OF TRENCH CONCRETE ENCASUREMENT	INSIDE DIMENSIONS (INCHES)	"W" PAYLINE WIDTH OF TRENCH (INCHES)	"H" PAYLINE WIDTH OF TRENCH (FEET)	PAY-VOLUMES CU. FT. PER FT. OF TRENCH CONCRETE ENCASUREMENT
4	30	2.50	3.28				
6	30	2.50	3.56				
8	30	2.50	3.87				
10	30	2.50	4.06				
12	30	2.50	4.25				
15	36	3.00	5.55				
18	36	3.00	5.77	14 x 23	41	3.42	5.94
21	39	3.25	6.61				
24	42	3.50	7.39	19 x 30	49	4.08	7.68
27	45	3.75	8.16	22 x 34	53	4.42	8.61
30	49	4.08	9.30	24 x 38	58	4.83	9.70
33	53	4.42	10.53	27 x 42	62	5.17	10.71
36	58	4.87	11.43	29 x 45	66	5.50	11.72
39	63	5.25	12.58	32 x 49	71	5.92	13.14
42	67	5.75	13.58	34 x 53	75	6.25	14.05
48	78	6.67	15.67	36 x 60	83	6.92	16.19
54	84	7.25	17.15	40 x 68	92	7.67	18.61
60	96	8.25	19.73	48 x 78	107	8.42	21.58
66	102	8.75	21.45	52 x 83	114	8.96	23.35
72	114	9.75	24.35	58 x 91	126	9.83	27.45
78	120	10.25	26.39	62 x 98	135	10.50	30.50
84	132	11.00	28.57	66 x 106	145	11.25	33.61
90	144	11.75	30.90	72 x 113	153	11.92	36.99
96	156	12.50	33.37	77 x 121	162	12.67	40.69
102	168	13.25	35.99	82 x 128	170	13.33	44.43
108	180	14.00	38.76	87 x 136	178	14.00	47.79
114	192	14.75	41.68	92 x 143	186	14.67	51.70
120	204	15.50	44.75	97 x 151	195	15.42	56.01
126	216	16.25	47.92	102 x 158	203	16.18	60.48
132	228	17.00	51.25	107 x 166	212	16.93	65.11
144	252	18.50	57.75	116 x 180	228	18.17	73.59

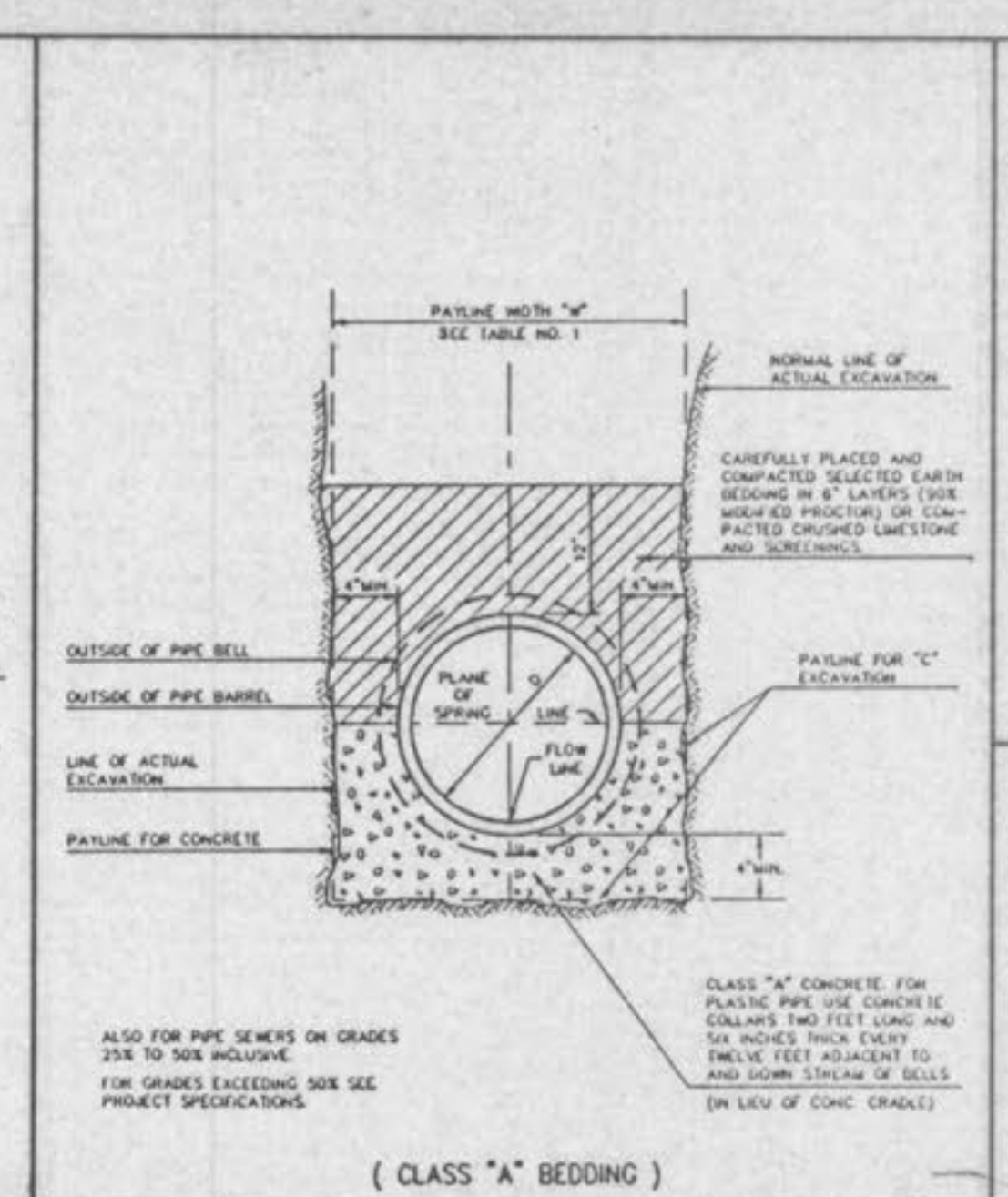
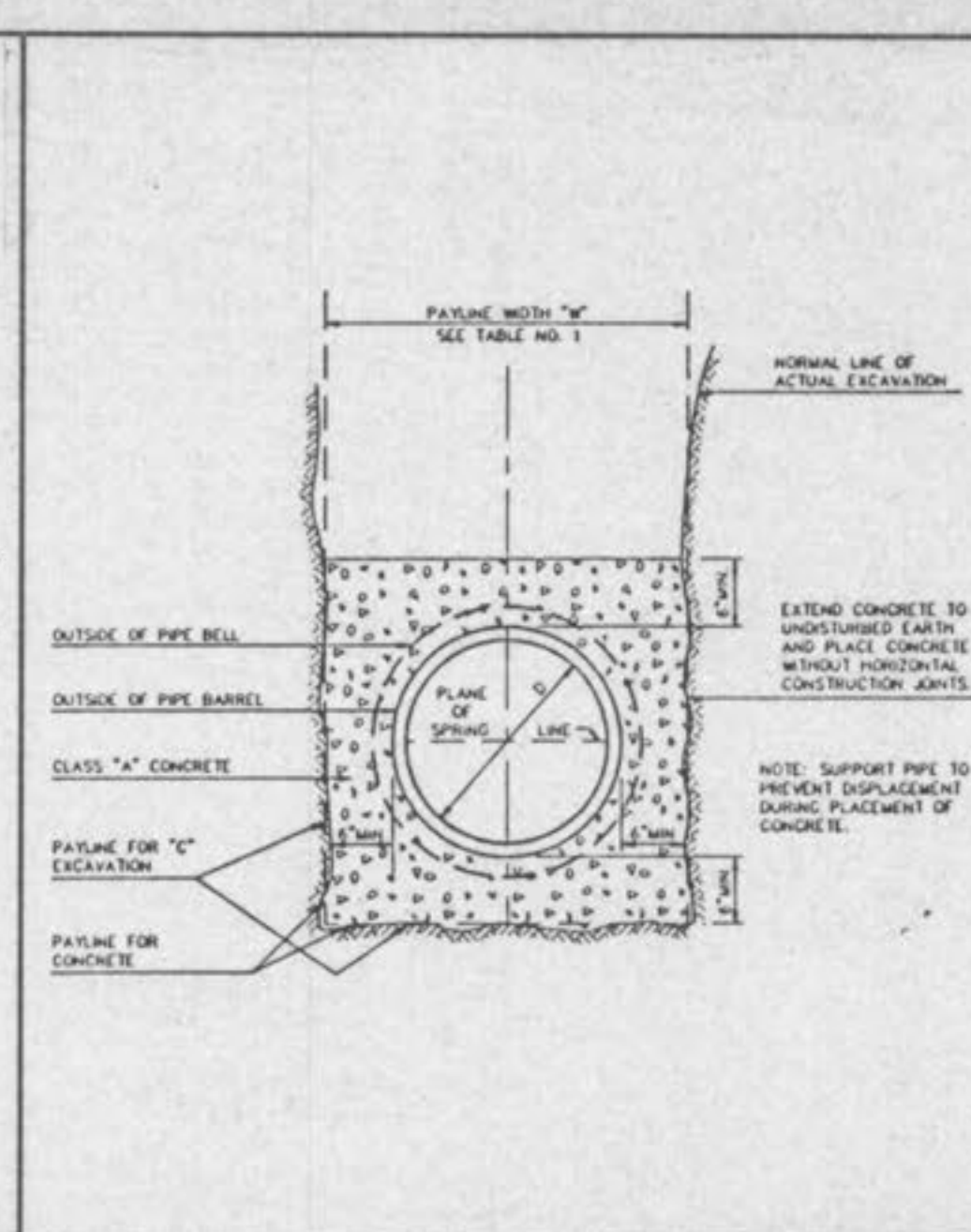
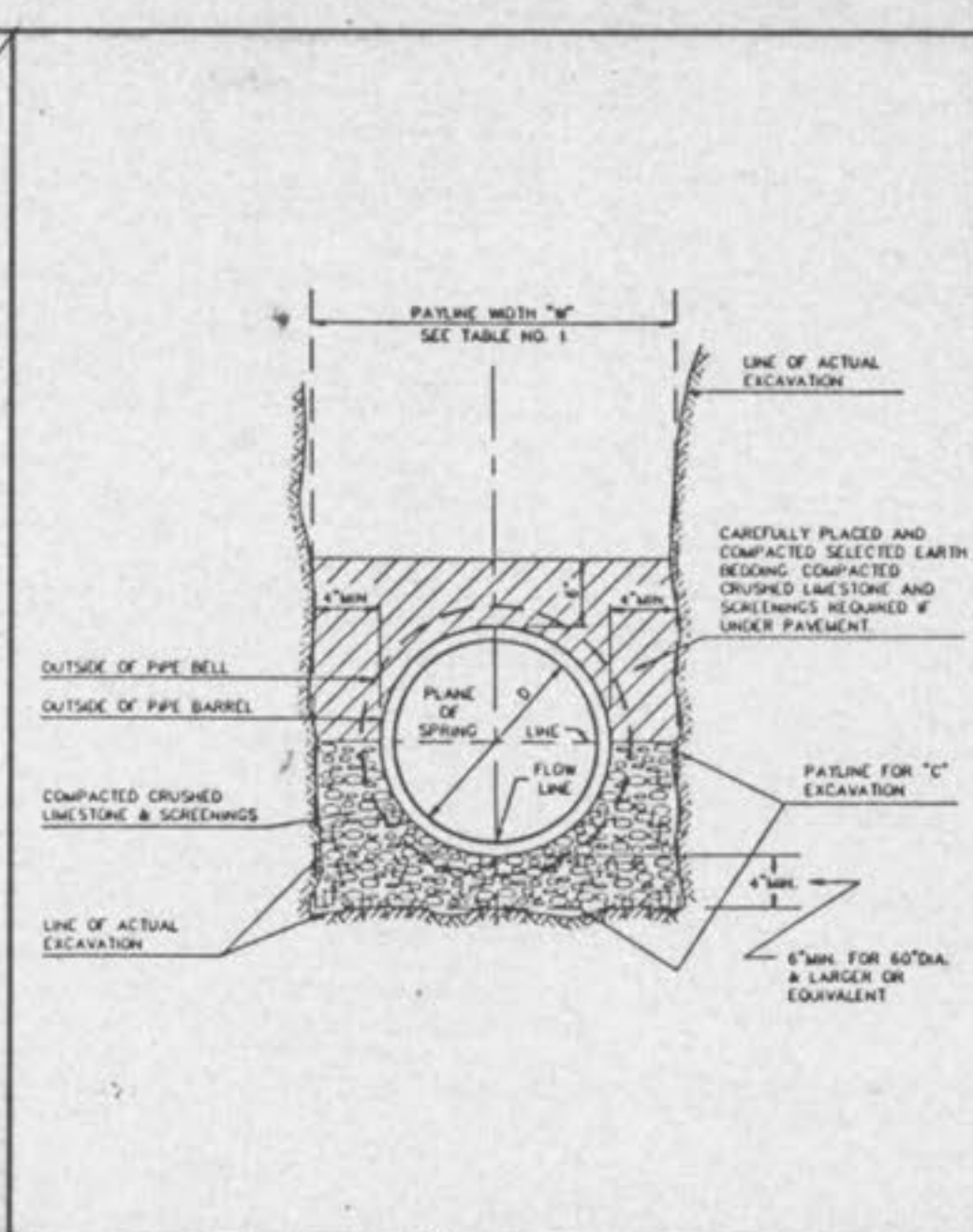
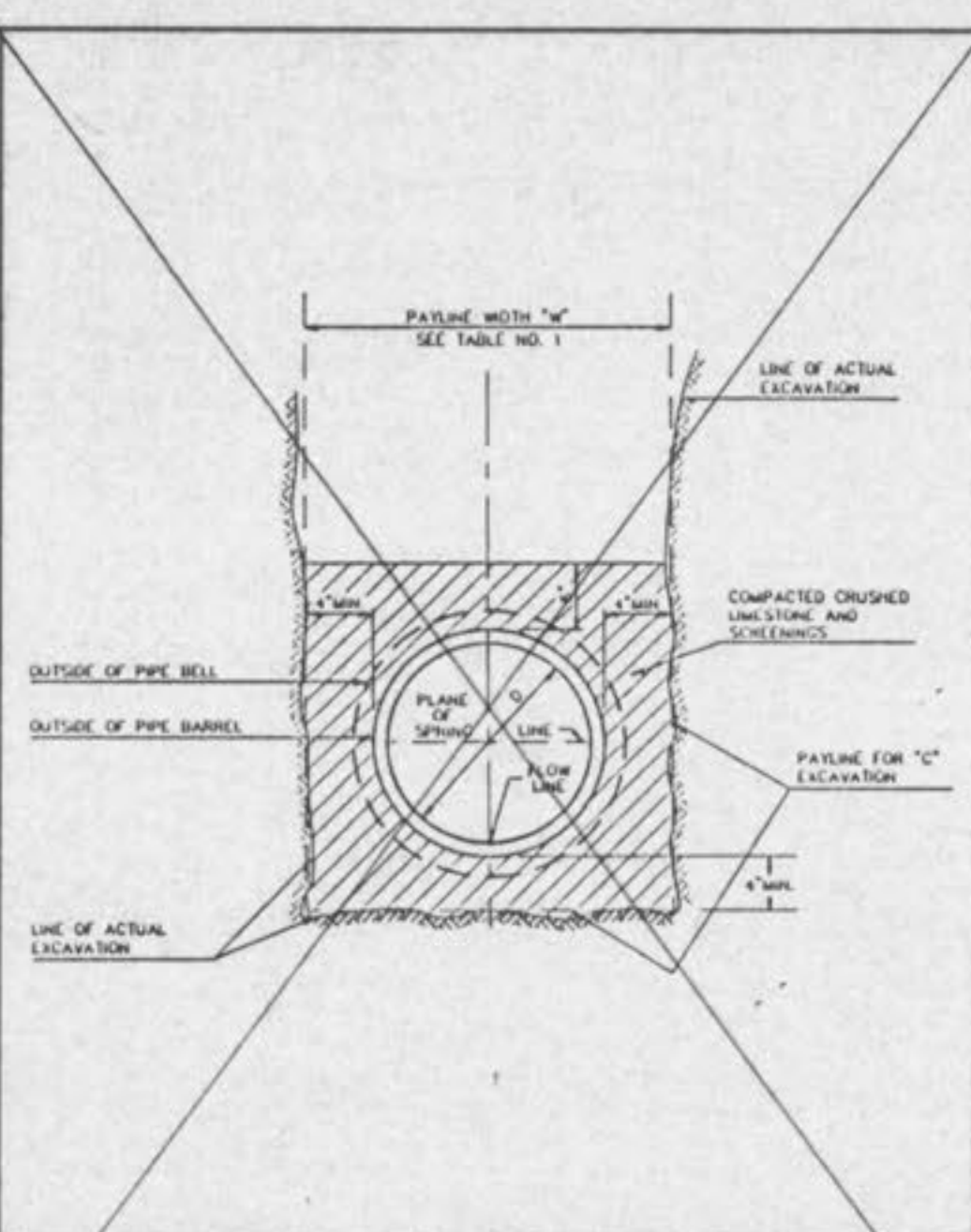
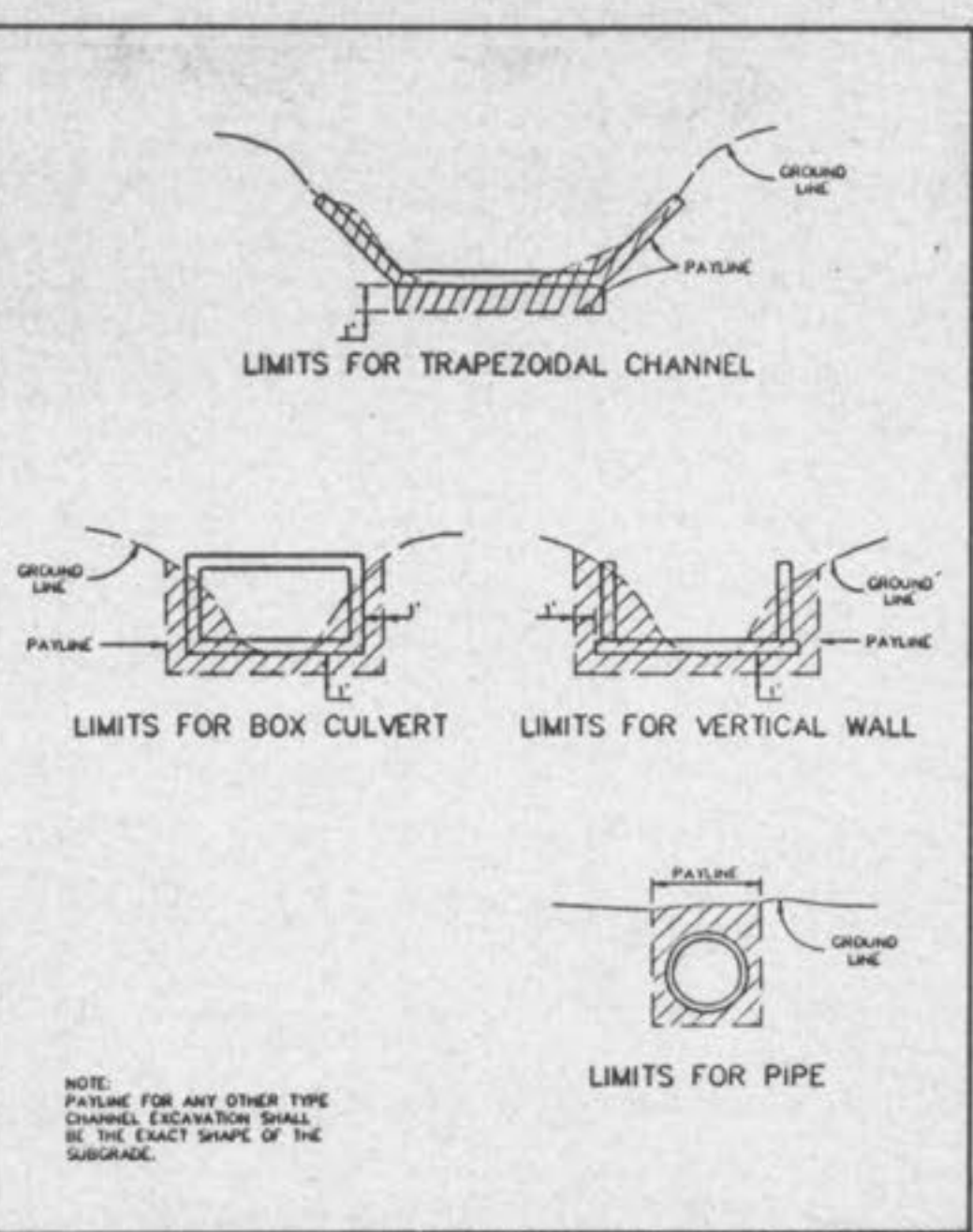


TABLE 1
PAYLINE WIDTHS OF TRENCH AND PAY-QUANTITIES OF CONCRETE

METROPOLITAN ST. LOUIS SEWER DISTRICT
Standard Details of Sewer Construction

METROPOLITAN ST. LOUIS SEWER DISTRICT
Standard Details of Sewer Construction

METROPOLITAN ST. LOUIS SEWER DISTRICT
Standard Details of Sewer Construction

METROPOLITAN ST. LOUIS SEWER DISTRICT
Standard Details of Sewer Construction

METROPOLITAN ST. LOUIS SEWER DISTRICT
Standard Details of Sewer Construction

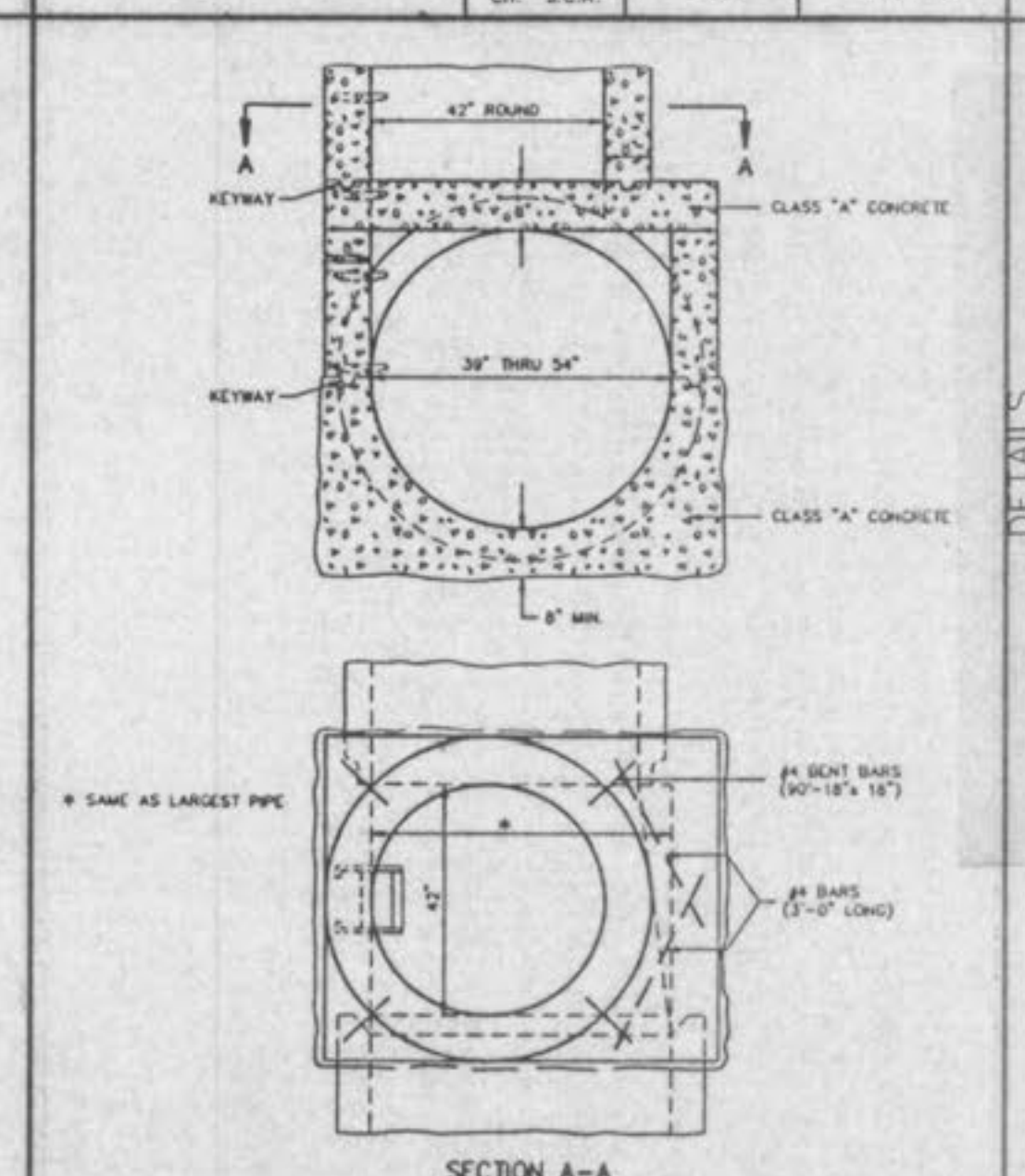
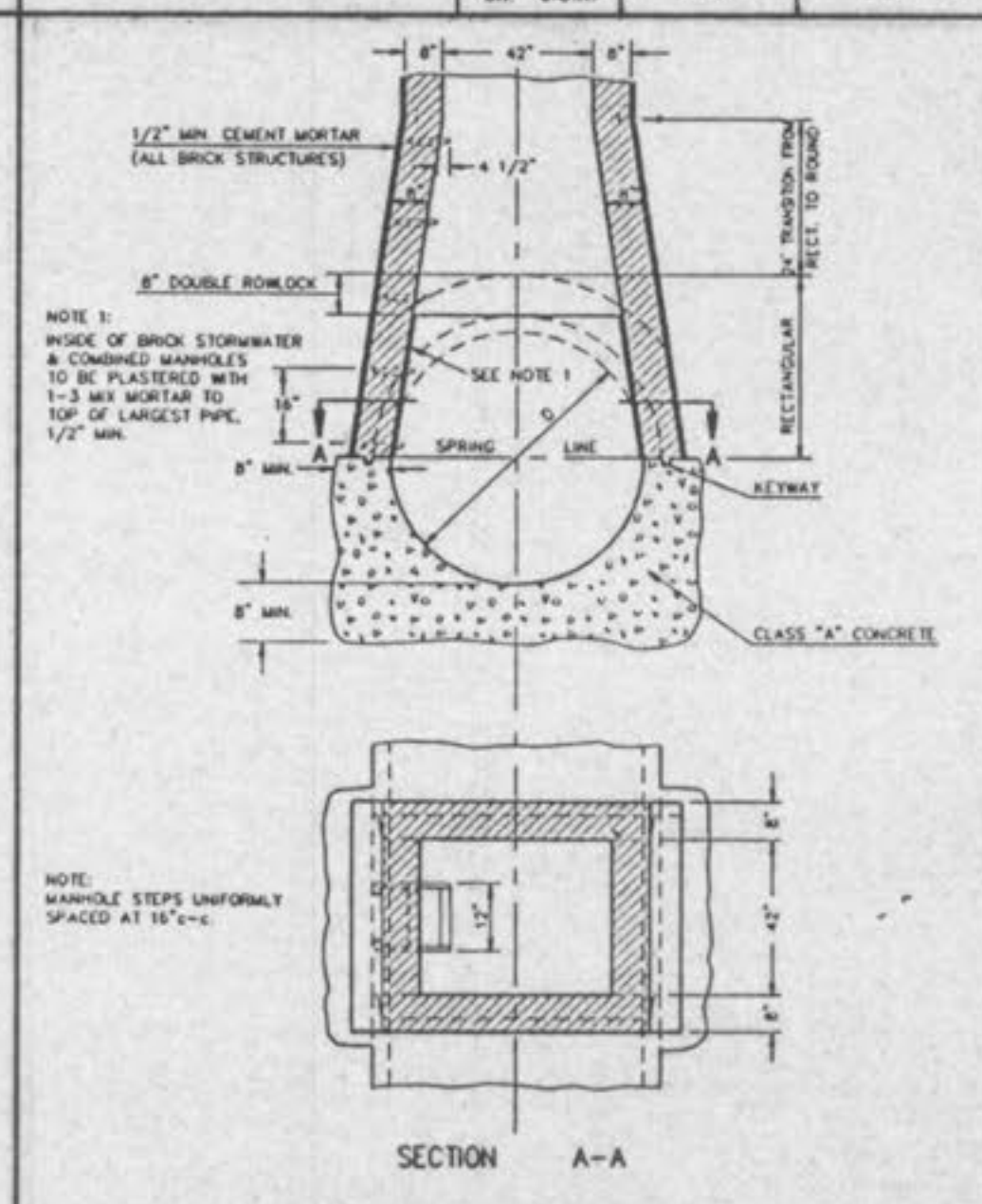
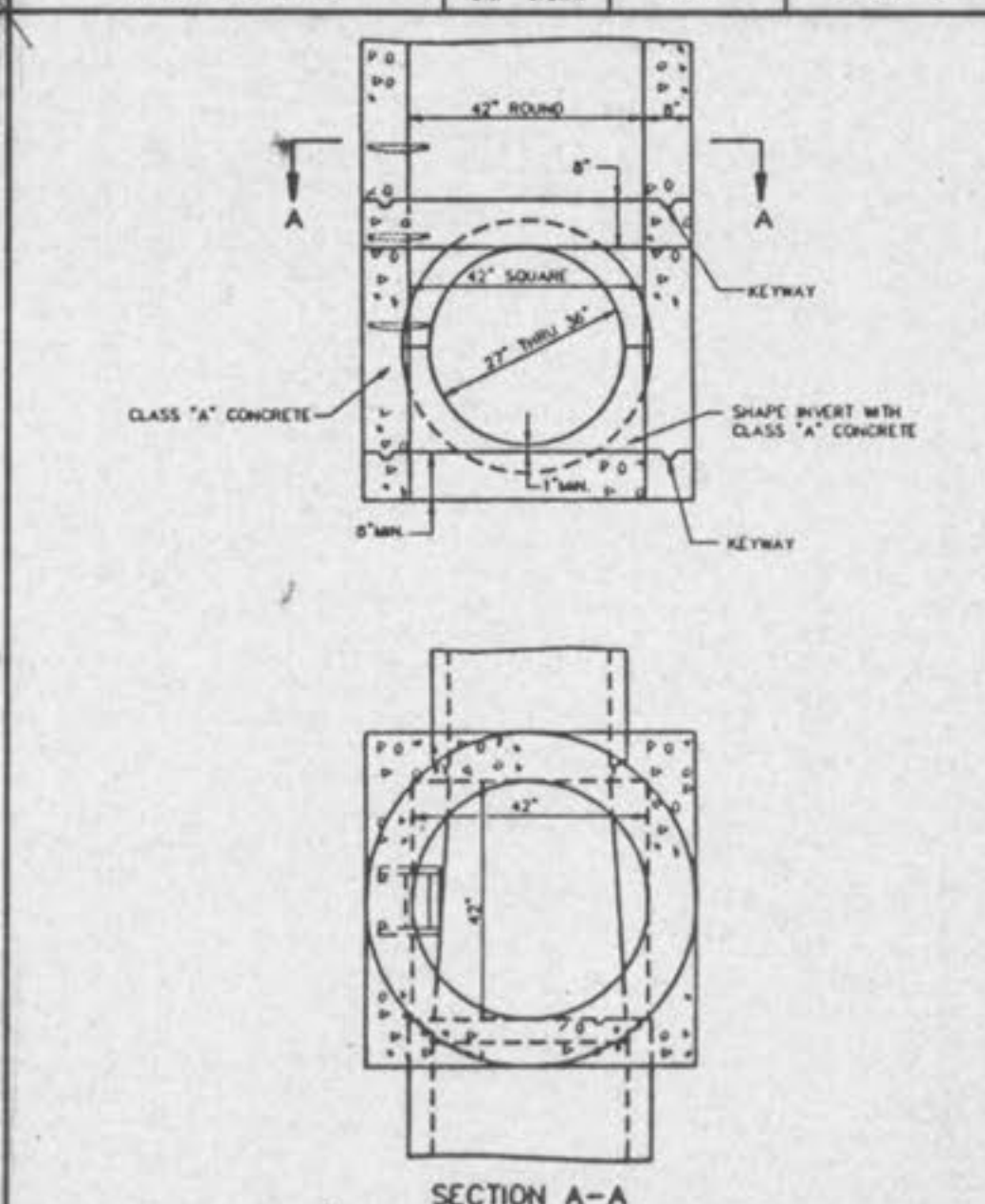
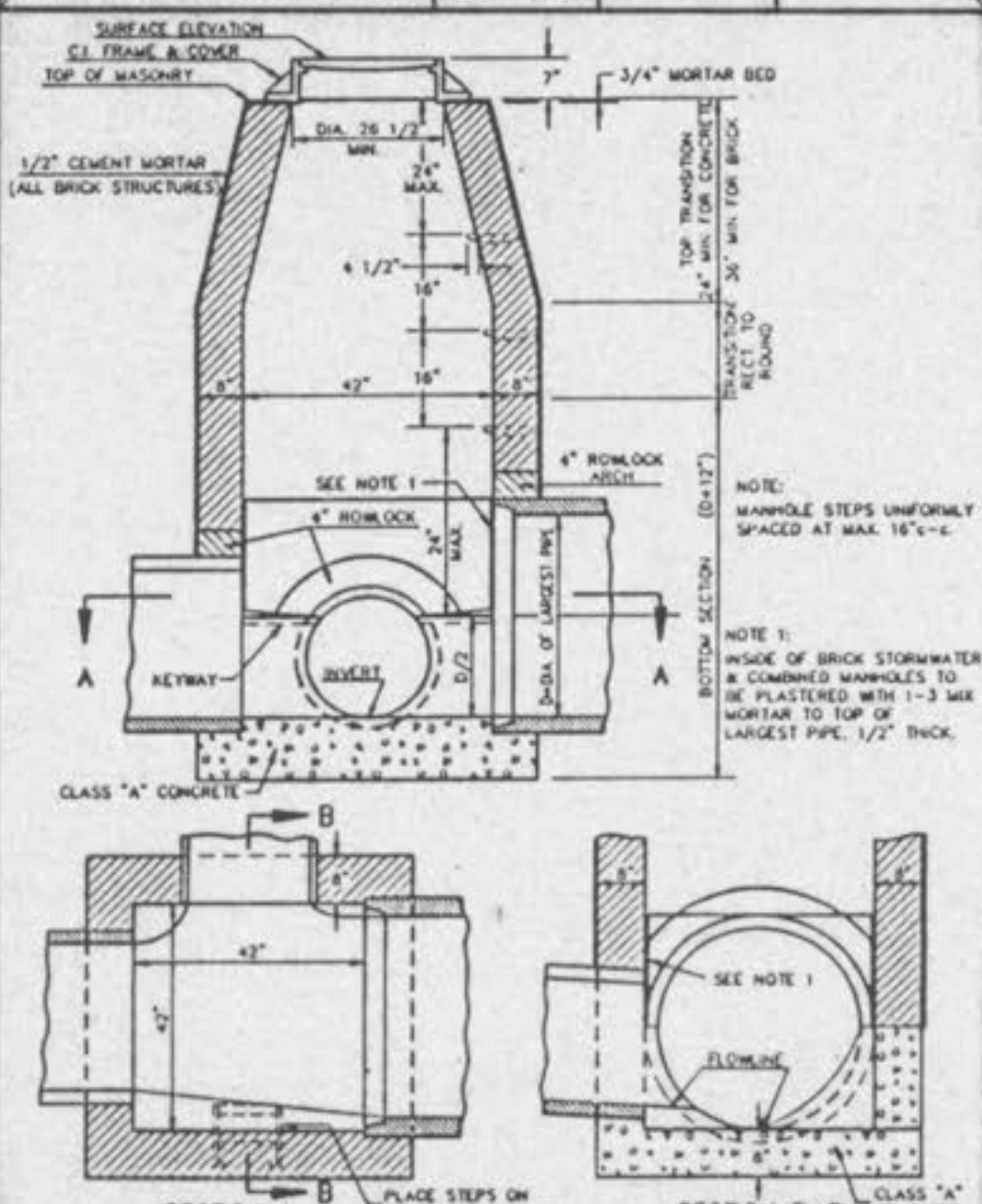
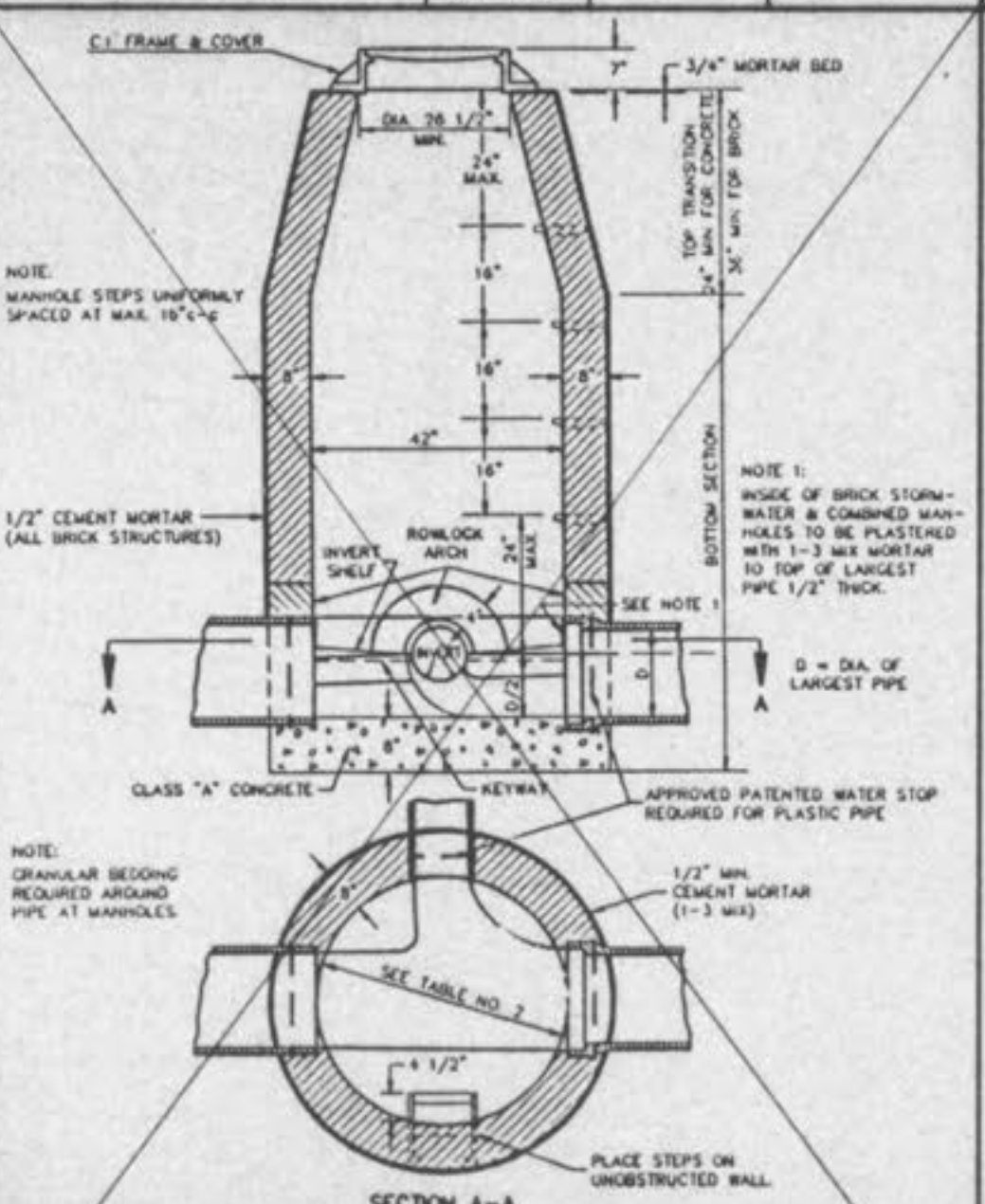
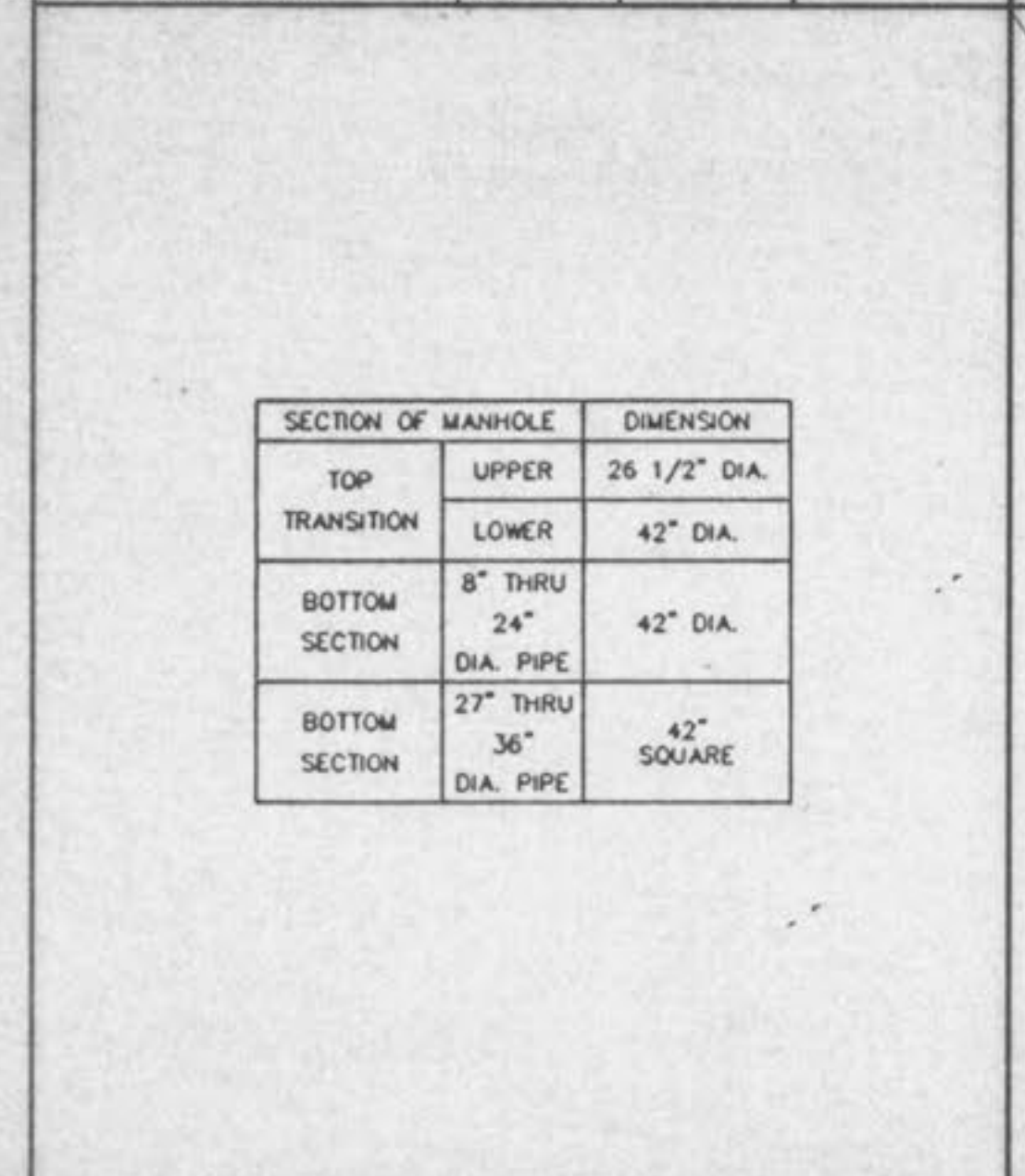


TABLE NO. 2
STANDARD MANHOLE DIMENSIONS

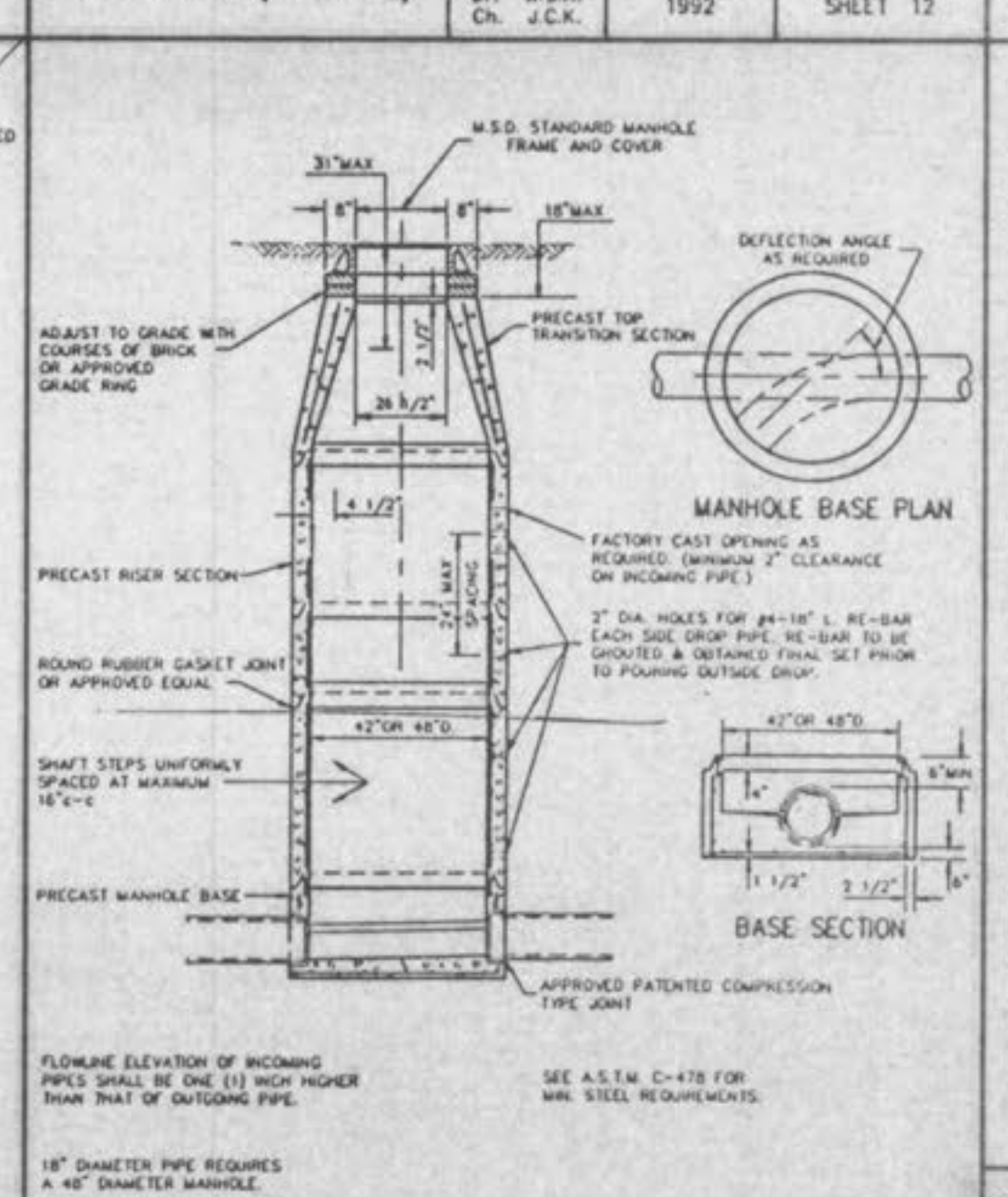
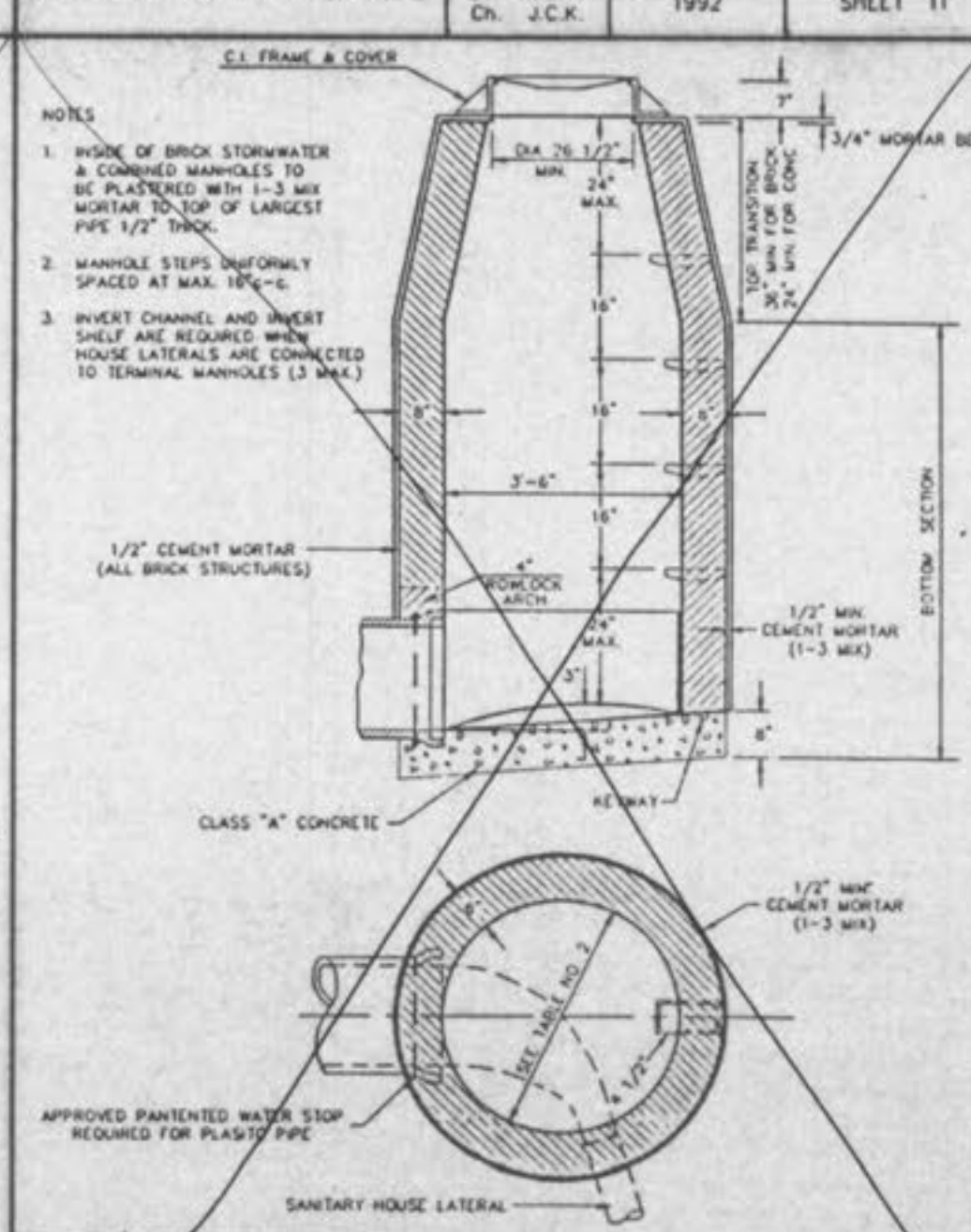
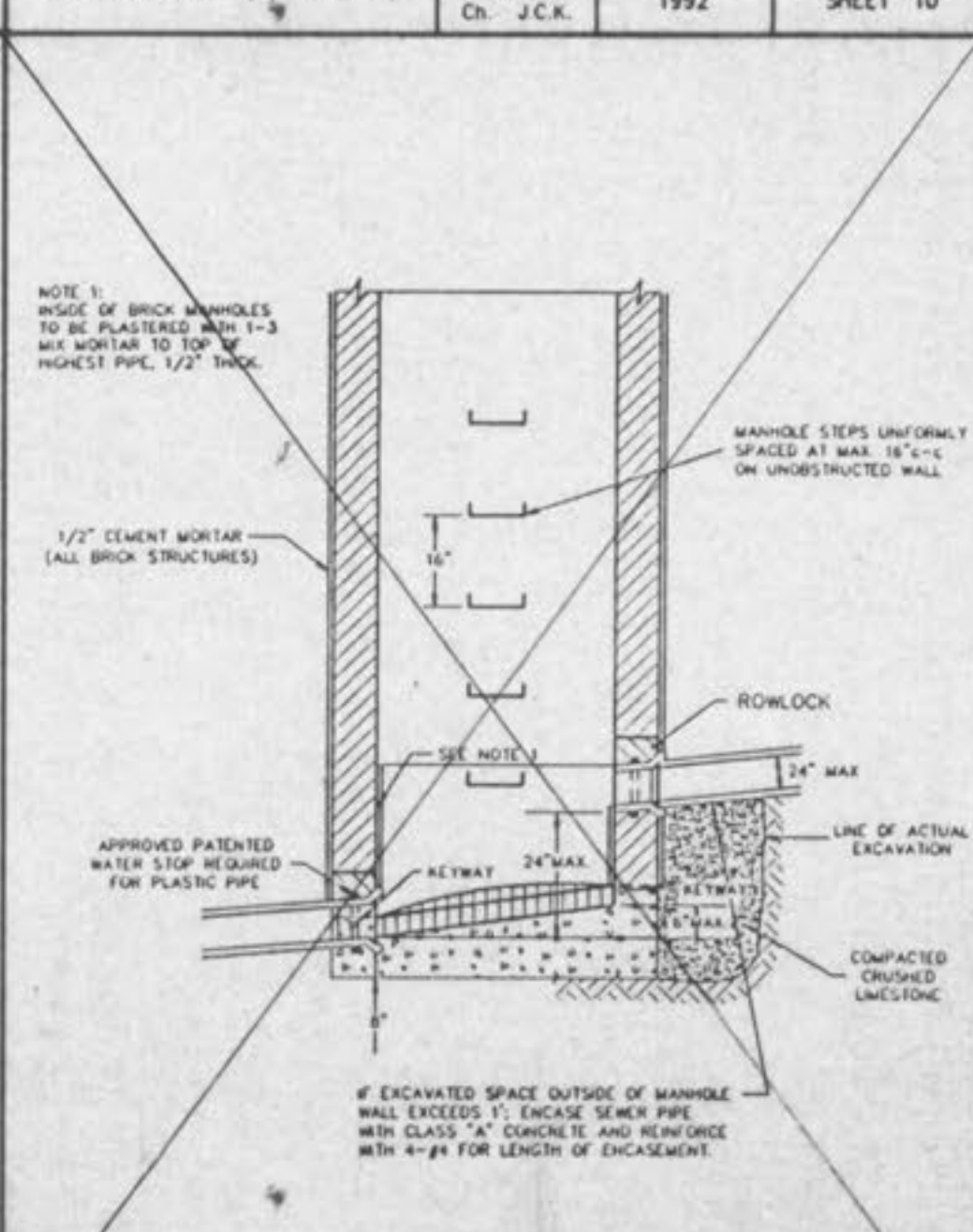
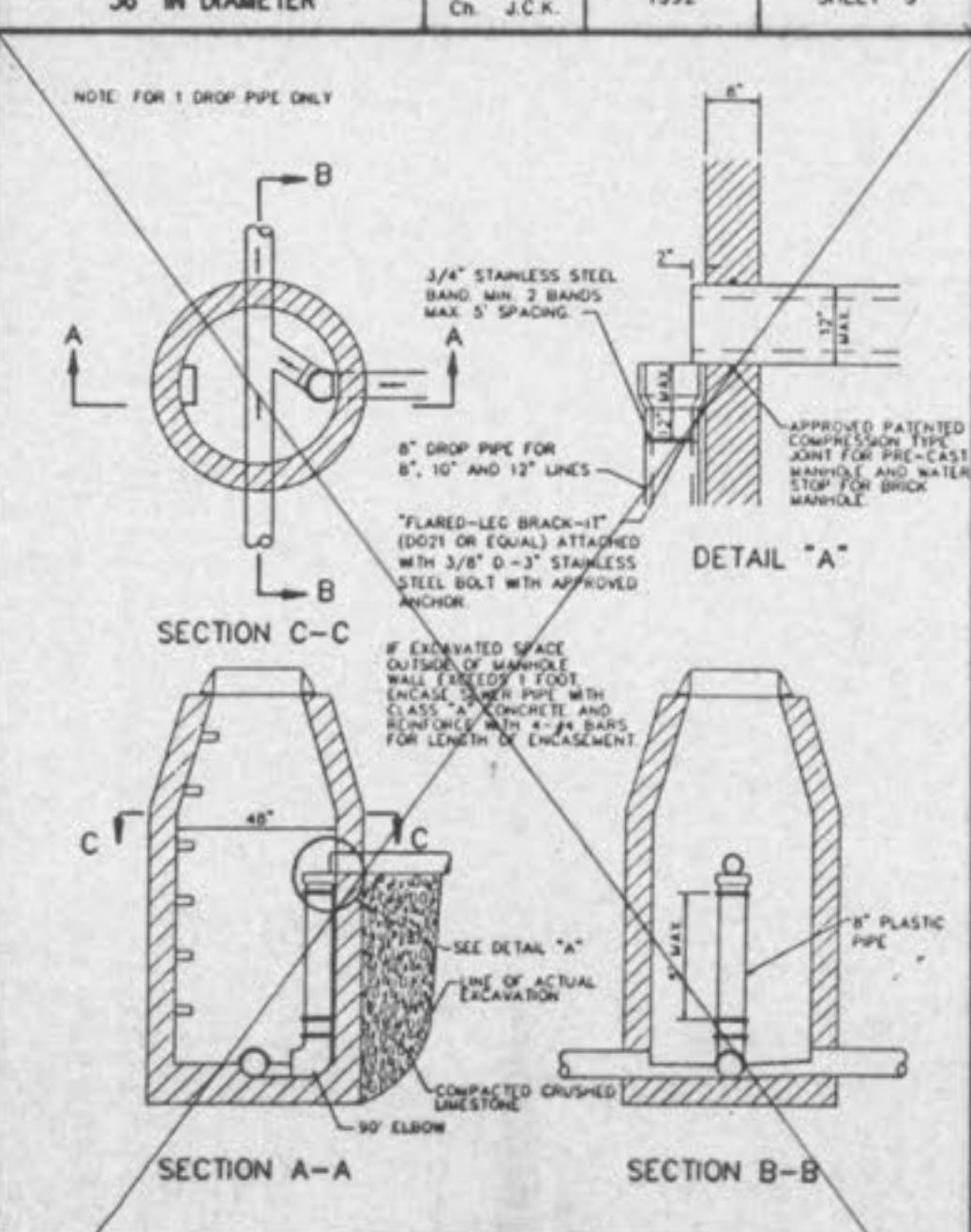
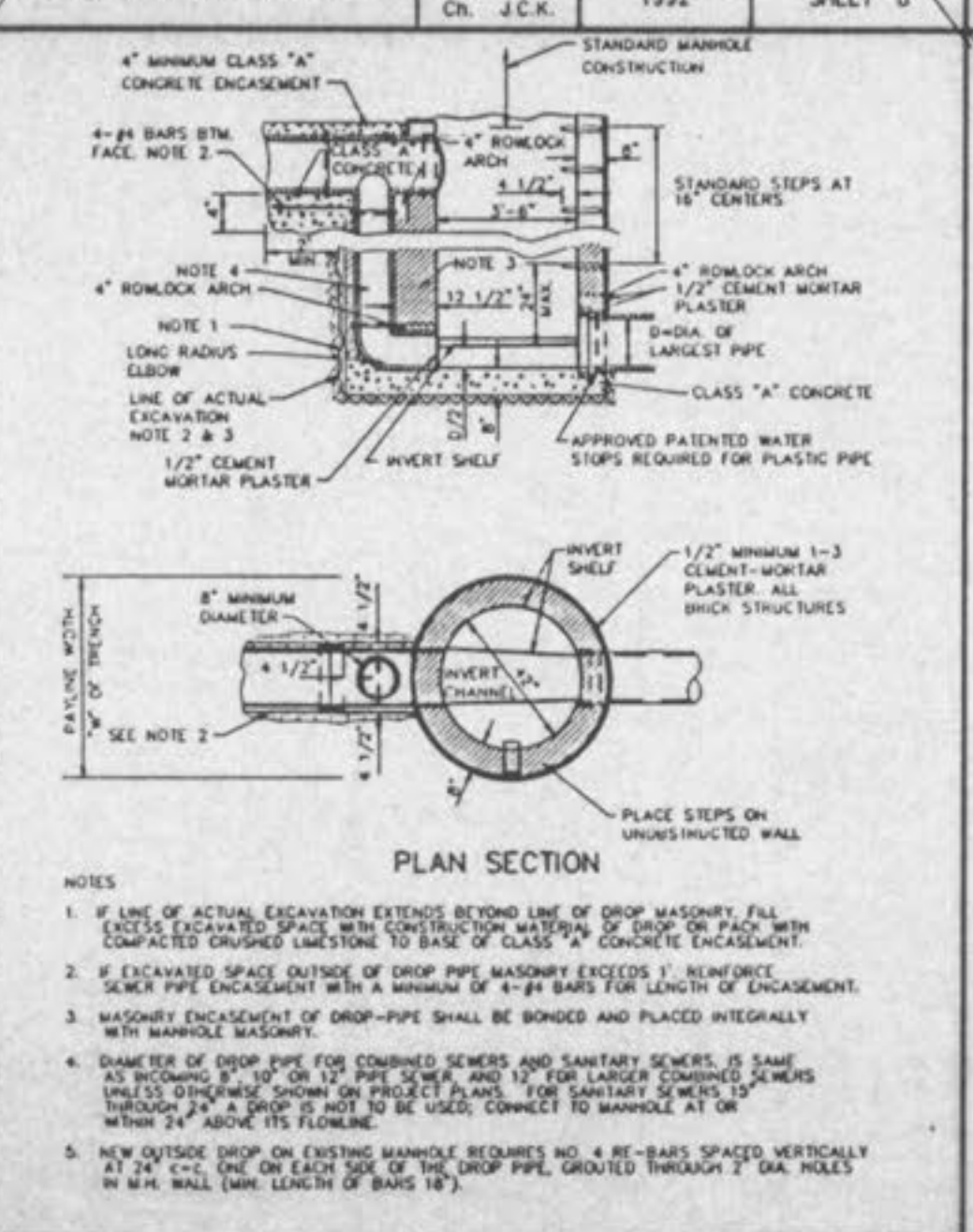
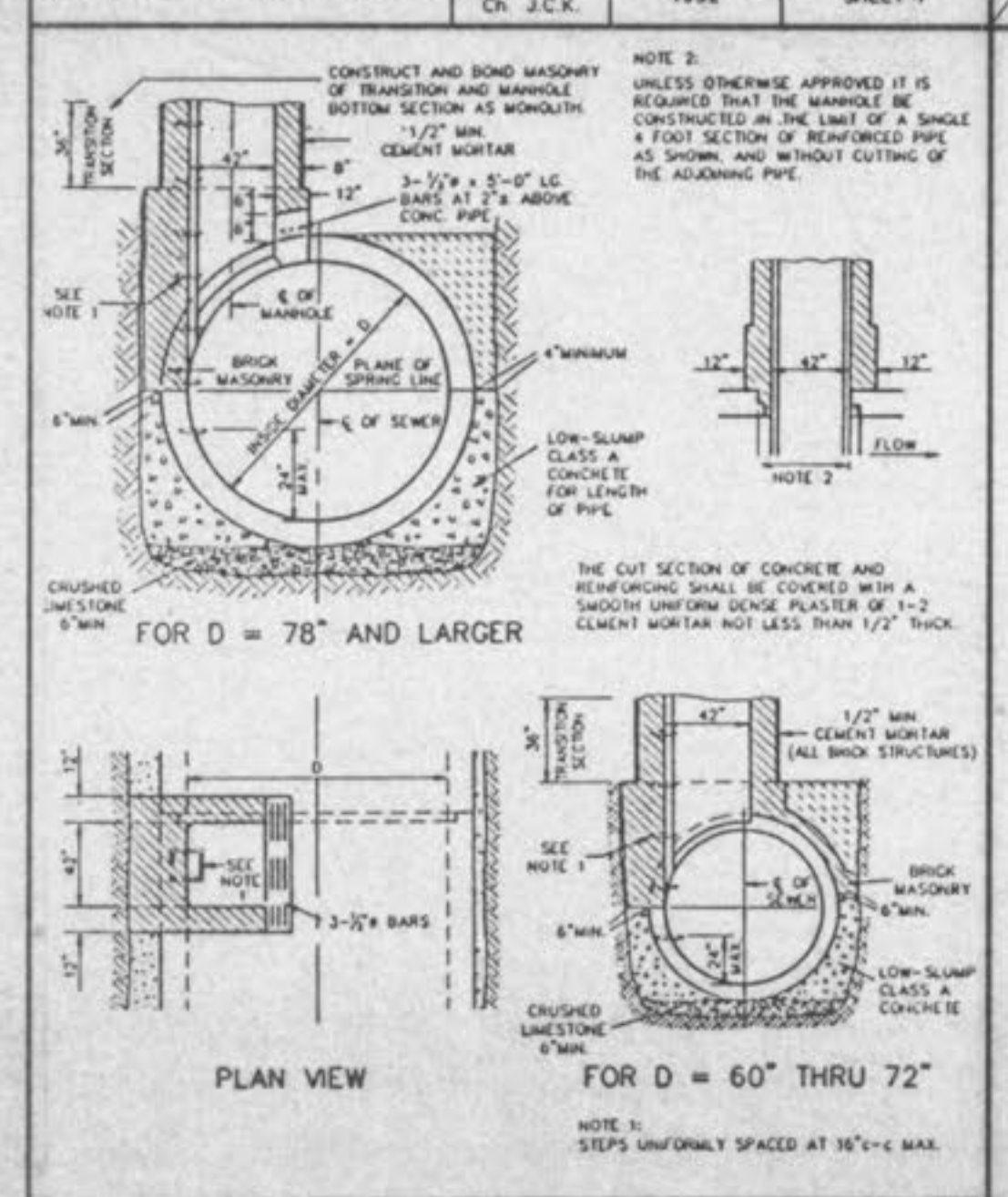
METROPOLITAN ST. LOUIS SEWER DISTRICT
Standard Details of Sewer Construction

METROPOLITAN ST. LOUIS SEWER DISTRICT
Standard Details of Sewer Construction

METROPOLITAN ST. LOUIS SEWER DISTRICT
Standard Details of Sewer Construction

METROPOLITAN ST. LOUIS SEWER DISTRICT
Standard Details of Sewer Construction

METROPOLITAN ST. LOUIS SEWER DISTRICT
Standard Details of Sewer Construction



METROPOLITAN ST. LOUIS SEWER DISTRICT
Standard Details of Sewer Construction

METROPOLITAN ST. LOUIS SEWER DISTRICT
Standard Details of Sewer Construction

METROPOLITAN ST. LOUIS SEWER DISTRICT
Standard Details of Sewer Construction

METROPOLITAN ST. LOUIS SEWER DISTRICT
Standard Details of Sewer Construction

METROPOLITAN ST. LOUIS SEWER DISTRICT
Standard Details of Sewer Construction

METROPOLITAN ST. LOUIS SEWER DISTRICT
Standard Details of Sewer Construction