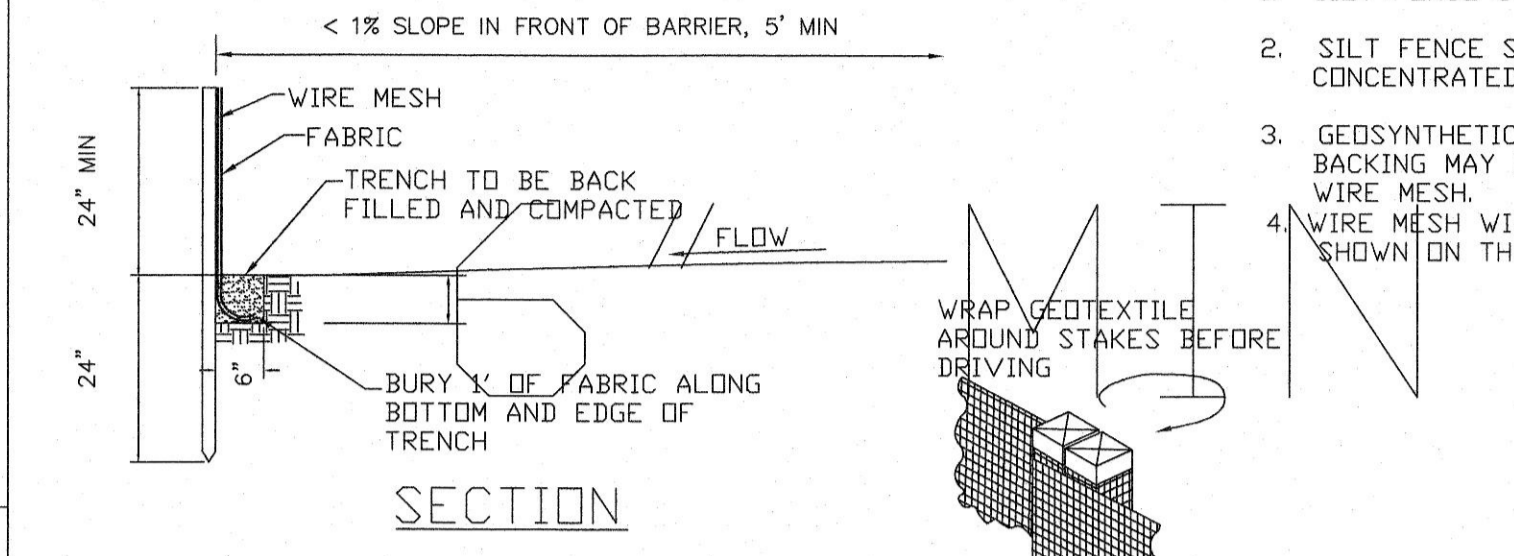
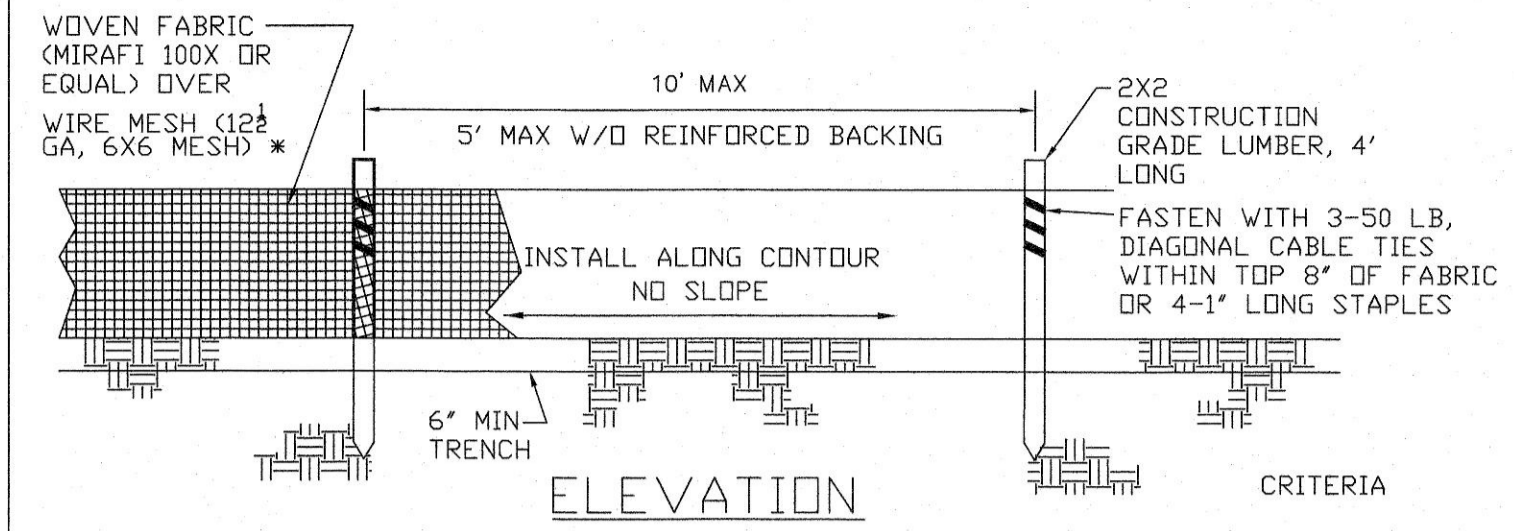


- DESIGN CRITERIA**
- SILT FENCE FOR SHEET FLOW SHALL HAVE A MAXIMUM DRAINAGE AREA OF 1/4 ACRE PER 100 LF.
  - STRAW BALE BARRIERS FOR SHEET FLOW SHALL HAVE A MAXIMUM DRAINAGE AREA OF 1/4 ACRE PER 100 LF.
  - REFER TO INDIVIDUAL ESC FIGURE FOR INSTALLATION.
  - TERRACING INCLUDES LOGS, WATTLES & FILTER SOCKS.

CITY OF O'FALLON  
ENGINEERING DEPARTMENT  
O'FALLON, MISSOURI

**SPACING CHART FOR ESC DEVICES**



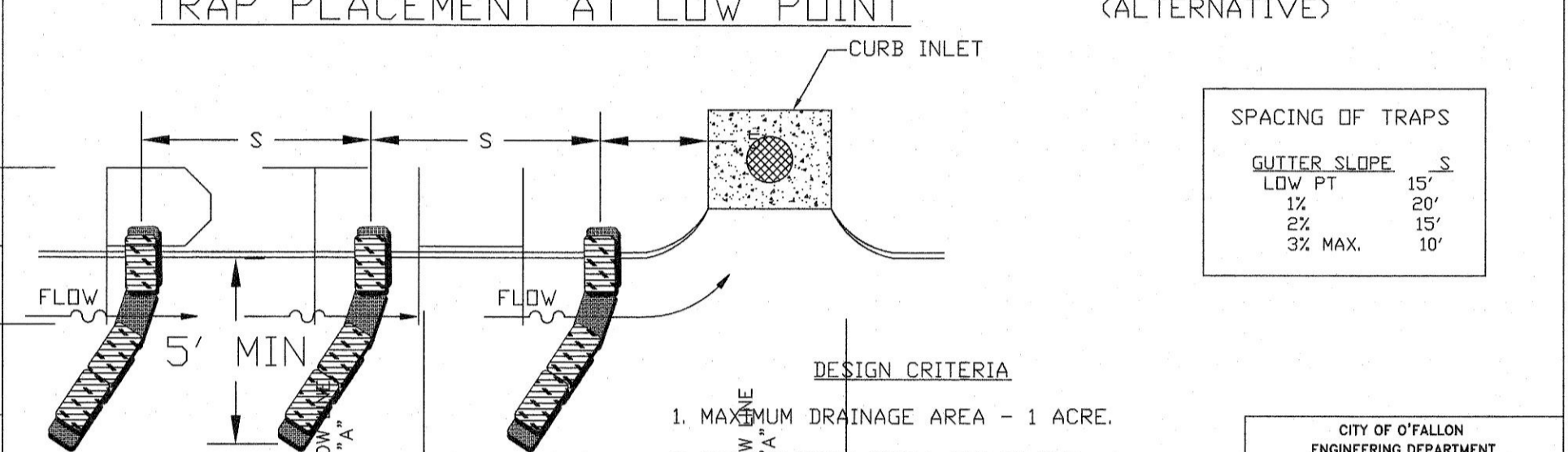
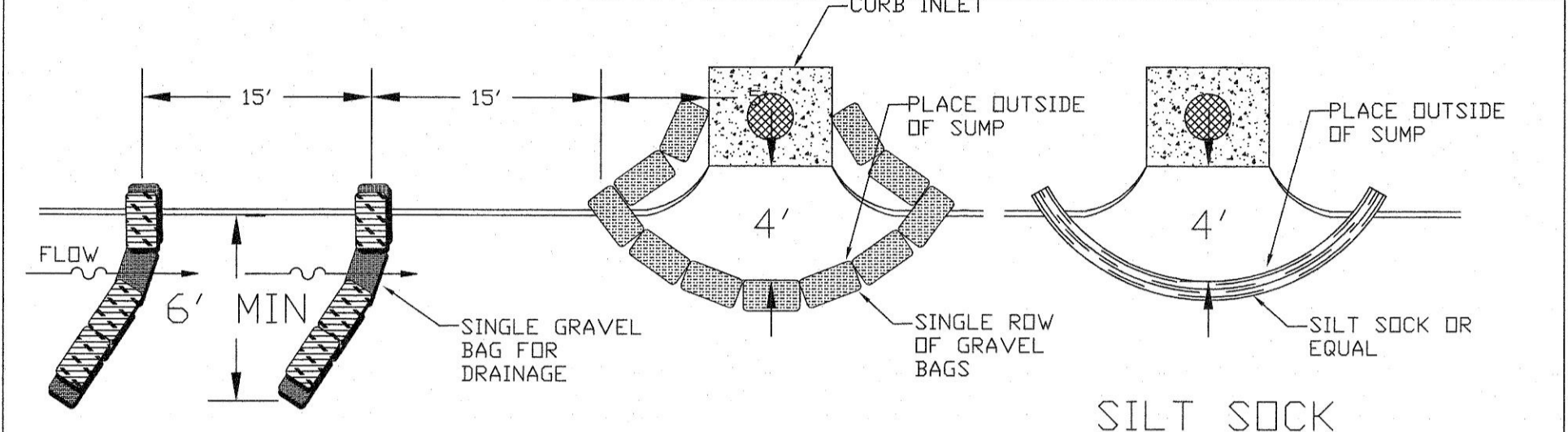
**JOINING SECTIONS OF SILT FENCE**

NOTE: IF FABRIC IS INSTALLED BY EQUIPMENT DESIGNED TO SLICE INTO THE GROUND, THE TRENCH IS NOT REQ'D.

- CRITERIA**
- SILT FENCE SHALL BE 24 INCHES HIGH.
  - SILT FENCE SHALL NOT BE USED FOR CONCENTRATED FLOWS.
  - GEOSYNTHETIC REINFORCED SILT FENCE BACKING MAY BE USED IN LIEU OF WIRE MESH.
  - WIRE MESH WILL BE USED AT LOCATIONS SHOWN ON THE APPROVED SWPPP.

CITY OF O'FALLON  
ENGINEERING DEPARTMENT  
O'FALLON, MISSOURI

**SILT FENCE INSTALLATION SHEET FLOW (ONLY)**



**DESIGN CRITERIA**

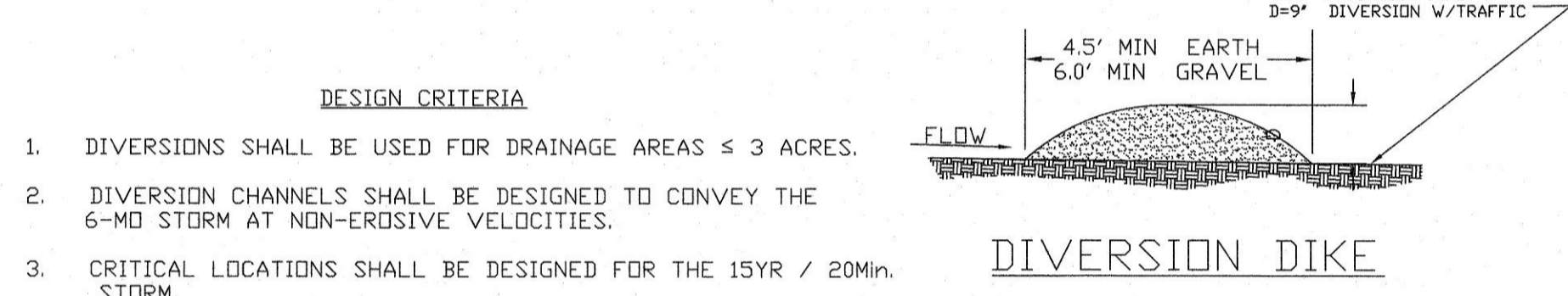
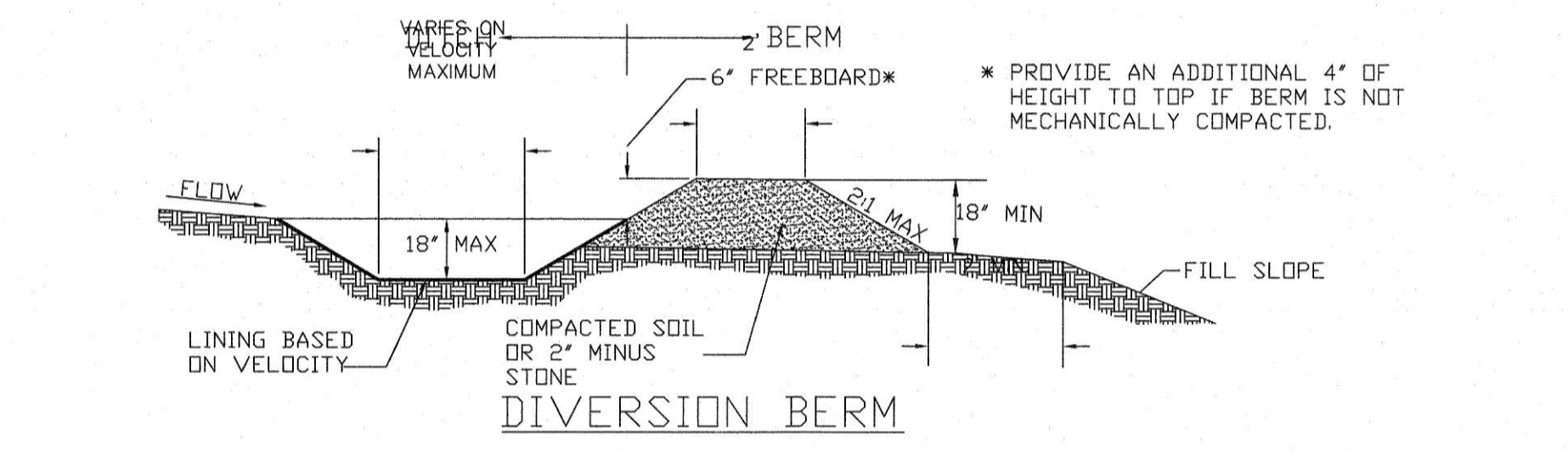
- MAXIMUM DRAINAGE AREA - 1 ACRE.
- PEAK RUNOFF SHALL NOT EXCEED 52 CFS BASED ON THE 6-MONTH STORM.
- STRAW GRAVEL BAGS DOUBLE HIGH. PROVIDE GAP FOR DRAINAGE.

**SPACING OF TRAPS**

| GUTTER SLOPE | LDV FT | S   |
|--------------|--------|-----|
| 1%           | 15'    | 20' |
| 2%           | 15'    | 15' |
| 3% MAX.      | 10'    | 10' |

CITY OF O'FALLON  
ENGINEERING DEPARTMENT  
O'FALLON, MISSOURI

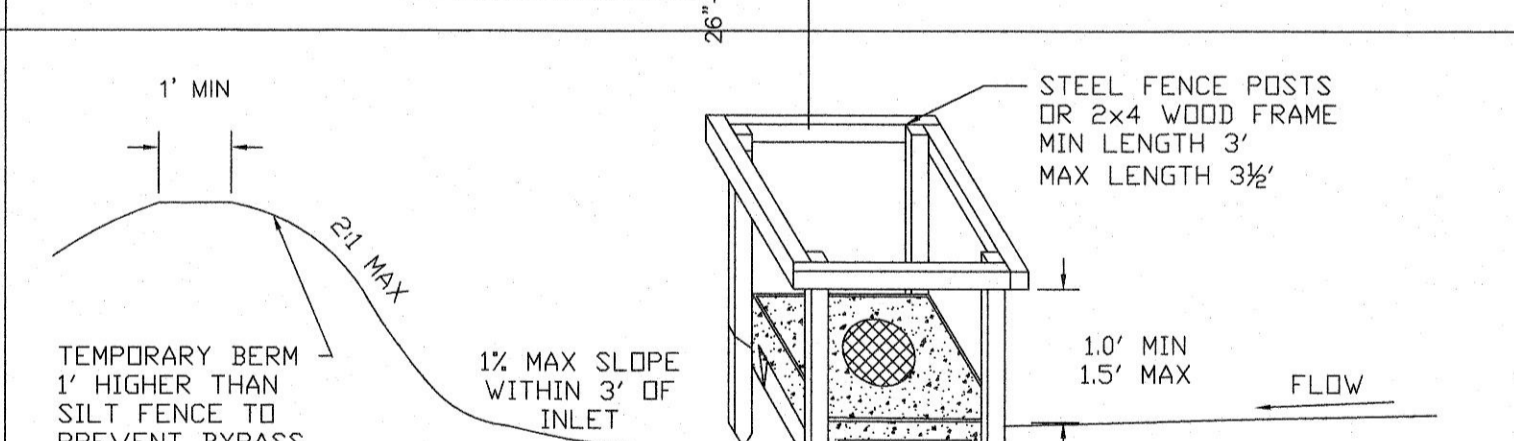
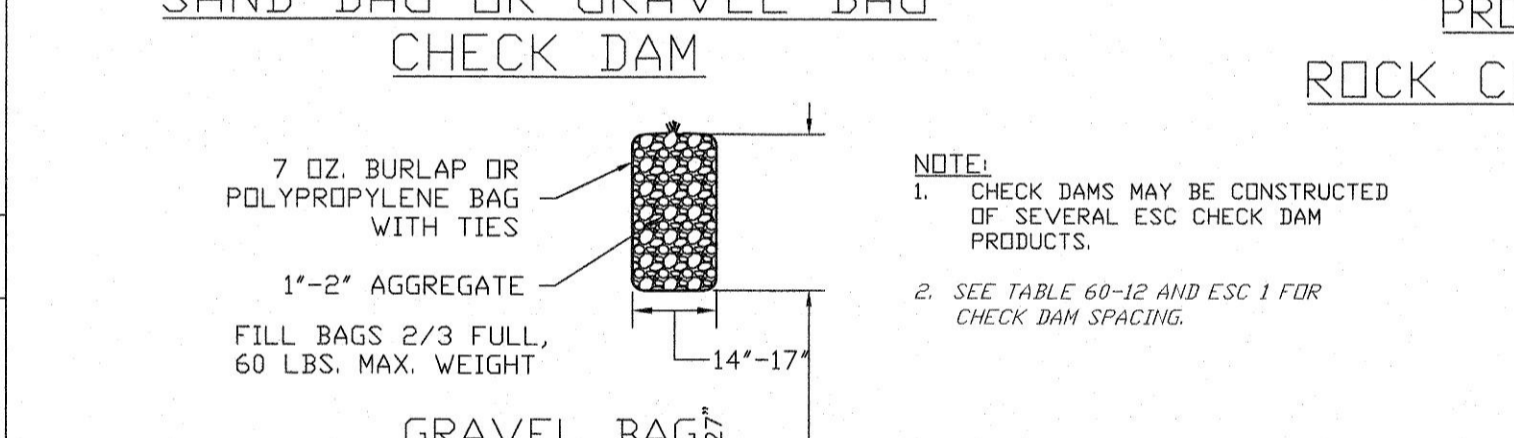
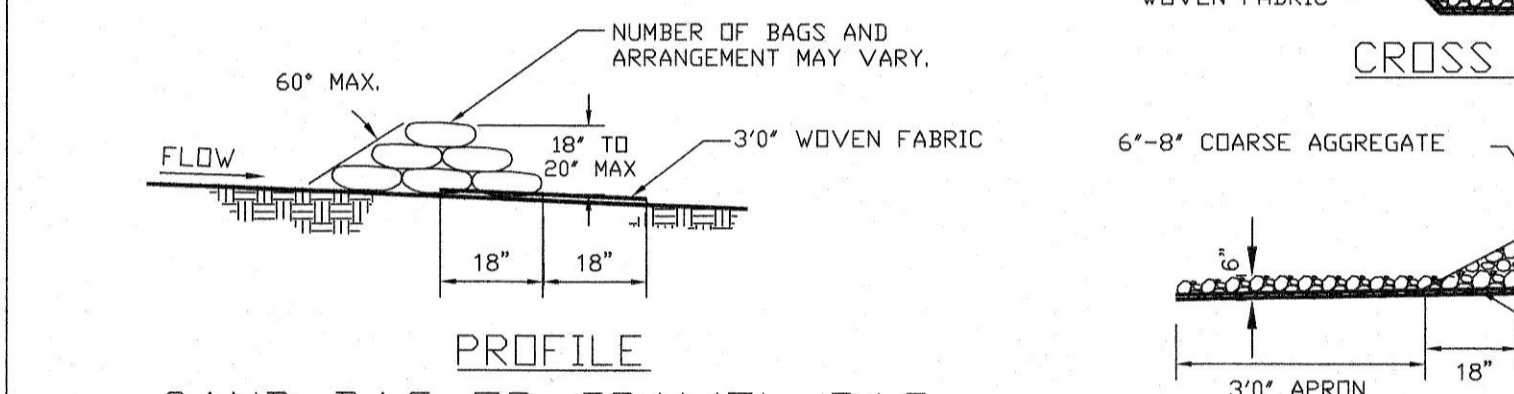
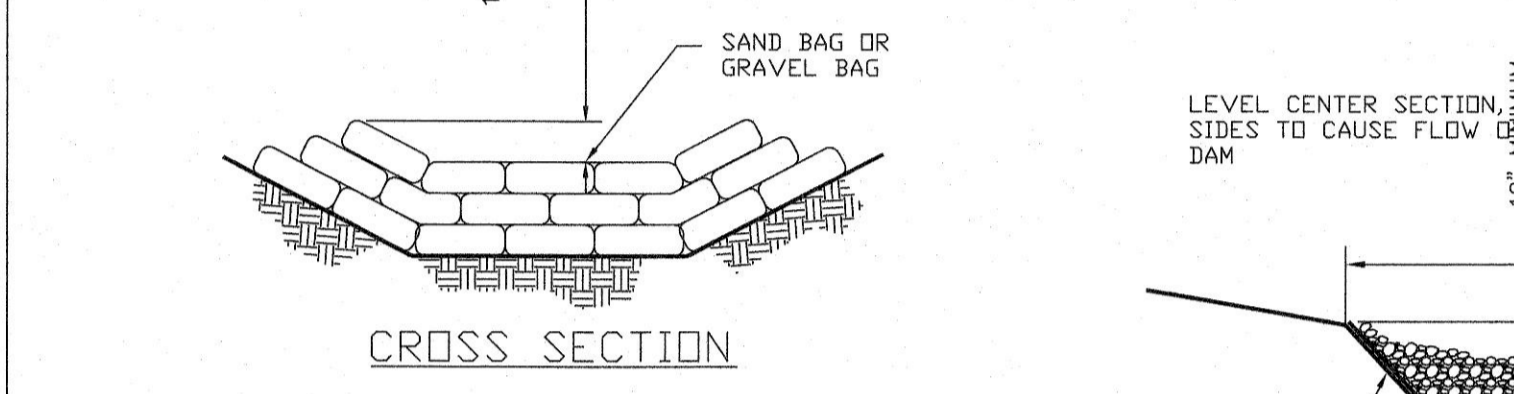
**CURB INLET PROTECTION**



- DESIGN CRITERIA**
- DIVERSIONS SHALL BE USED FOR DRAINAGE AREAS ≤ 3 ACRES.
  - DIVERSION CHANNELS SHALL BE DESIGNED TO CONVEY THE 6-MO STORM AT NON-EROSIVE VELOCITIES.
  - CRITICAL LOCATIONS SHALL BE DESIGNED FOR THE 15YR / 20Min. STORM.
  - MAXIMUM CHANNEL SLOPE OF 3% WITHOUT CHECK DAMS.
  - SWALE SEDIMENT TRAPS ARE TO BE USED IN HIGHLY ERODITIVE AREAS.
  - CHANNELS SHALL BE PROTECTED USING APPROPRIATE CHANNEL LINERS.
  - CHANNEL OUTLETS MUST BE STABILIZED.
  - STORM SEWERS MAY BE USED IN LIEU OF OPEN CHANNELS.

CITY OF O'FALLON  
ENGINEERING DEPARTMENT  
O'FALLON, MISSOURI

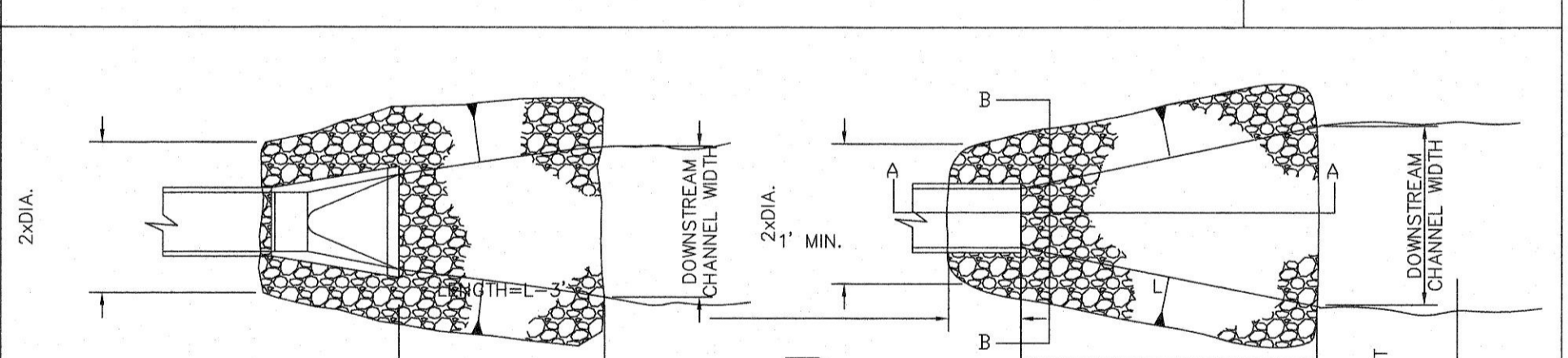
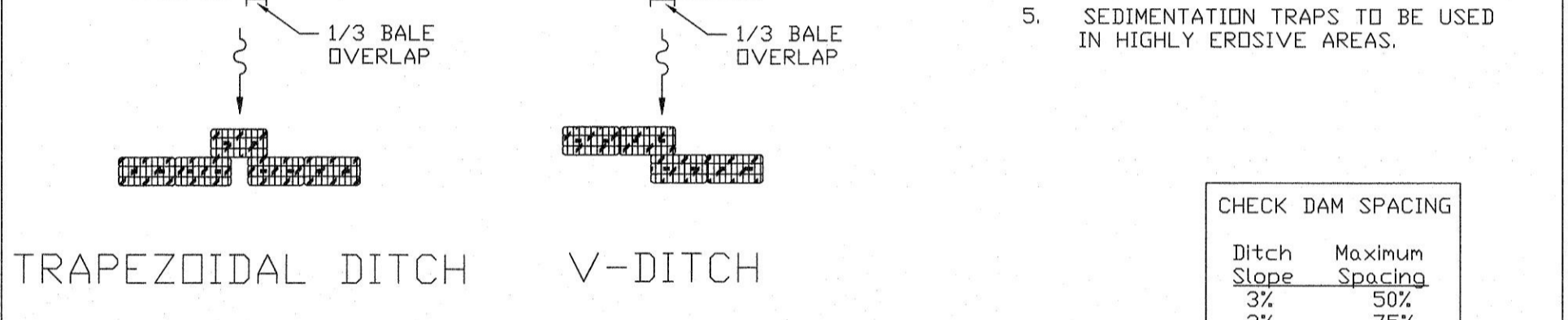
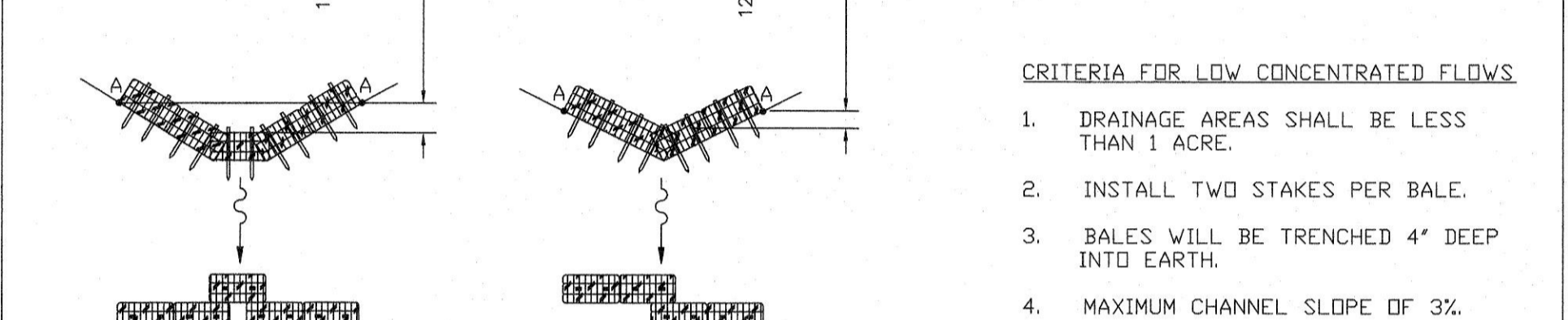
**DIVERSION BERMS + DIKES**



- DESIGN CRITERIA**
- MAXIMUM DRAINAGE AREA - 1 ACRE.
  - PEAK RUNOFF SHALL NOT EXCEED 2 CFS BASED ON A 6-MONTH STORM EVENT.
  - OTHER SEDIMENT PROTECTION PRODUCTS MAY BE USED, SUCH AS FILTER FENCE™.

CITY OF O'FALLON  
ENGINEERING DEPARTMENT  
O'FALLON, MISSOURI

**CHECK DAMS**



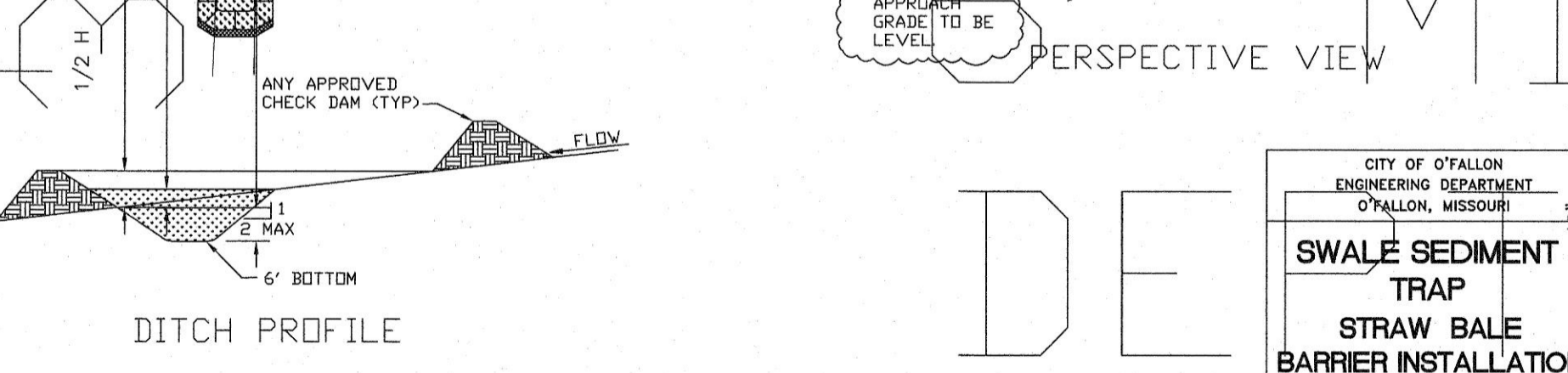
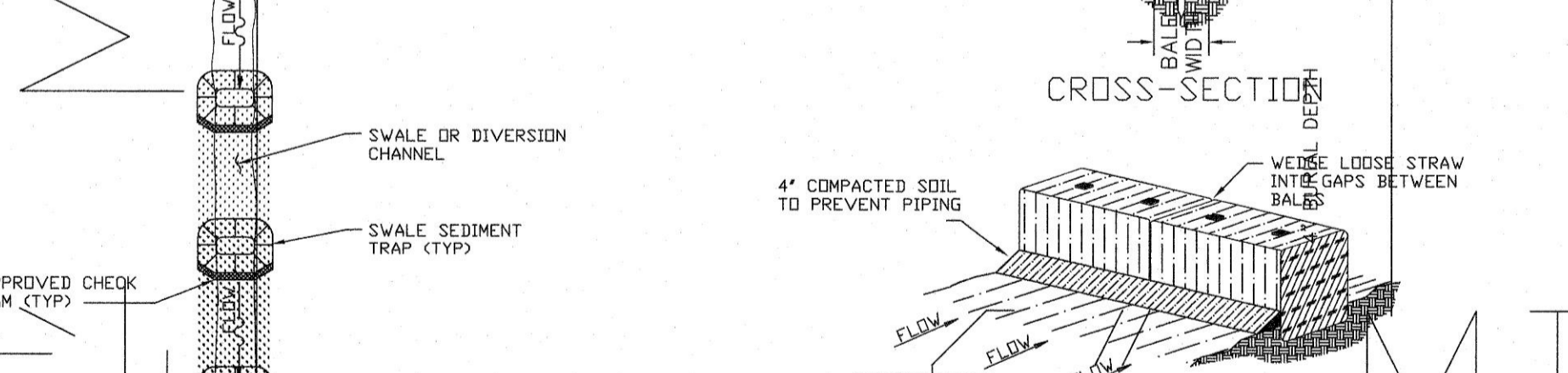
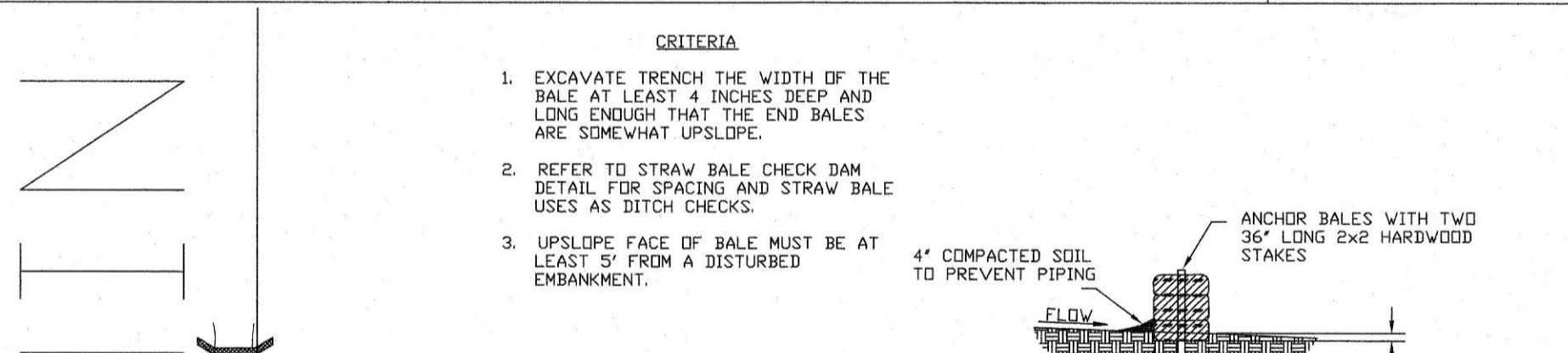
- DESIGN CRITERIA**
- MAXIMUM DRAINAGE AREA - 1 ACRE.
  - PEAK RUNOFF SHALL NOT EXCEED 2 CFS BASED ON A 6-MONTH STORM EVENT.
  - OTHER SEDIMENT PROTECTION PRODUCTS MAY BE USED, SUCH AS FILTER FENCE™.

**CHECK DAM SPACING**

| Ditch Slope | Maximum Spacing |
|-------------|-----------------|
| 3%          | 50'             |
| 2%          | 75'             |

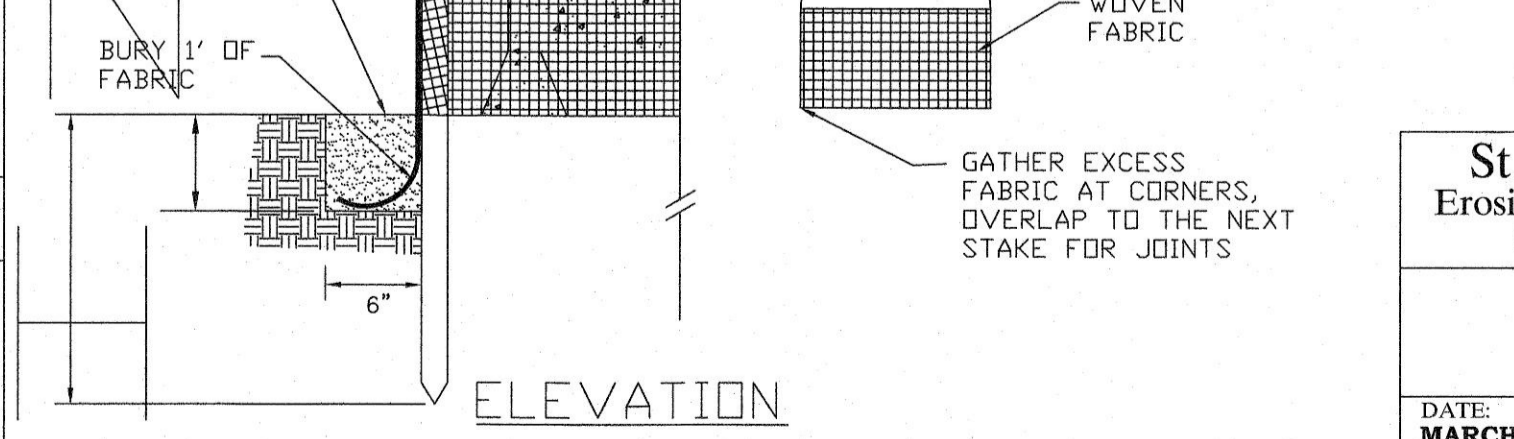
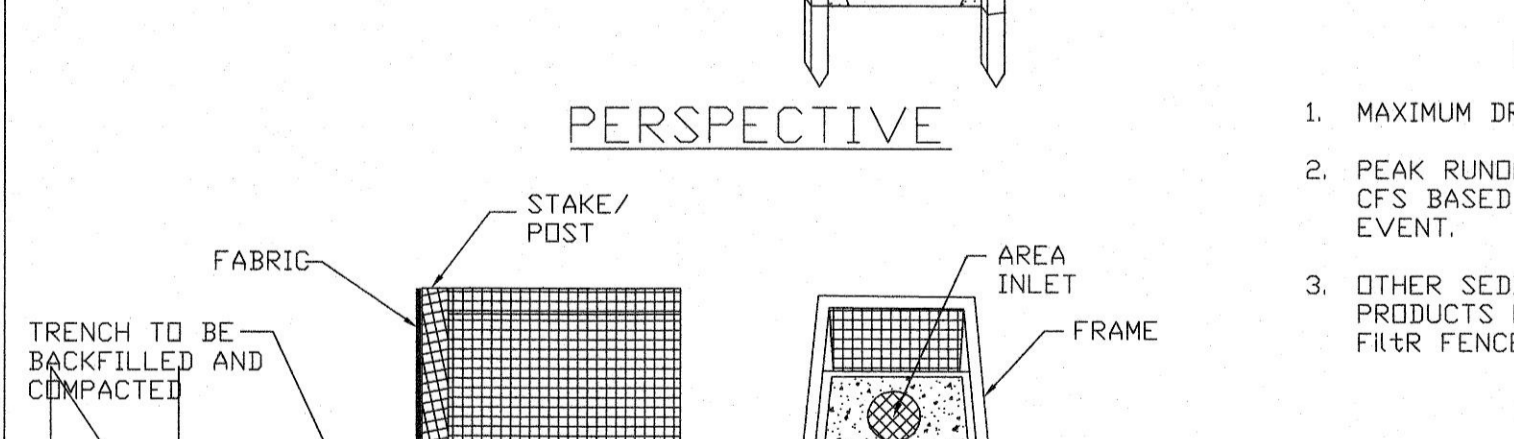
CITY OF O'FALLON  
ENGINEERING DEPARTMENT  
O'FALLON, MISSOURI

**STRAW BALE CHECK DAM**



CITY OF O'FALLON  
ENGINEERING DEPARTMENT  
O'FALLON, MISSOURI

**SWALE SEDIMENT TRAP STRAW BALE BARRIER INSTALLATION**



**St. Charles County Erosion & Sediment Controls Standard Drawings**

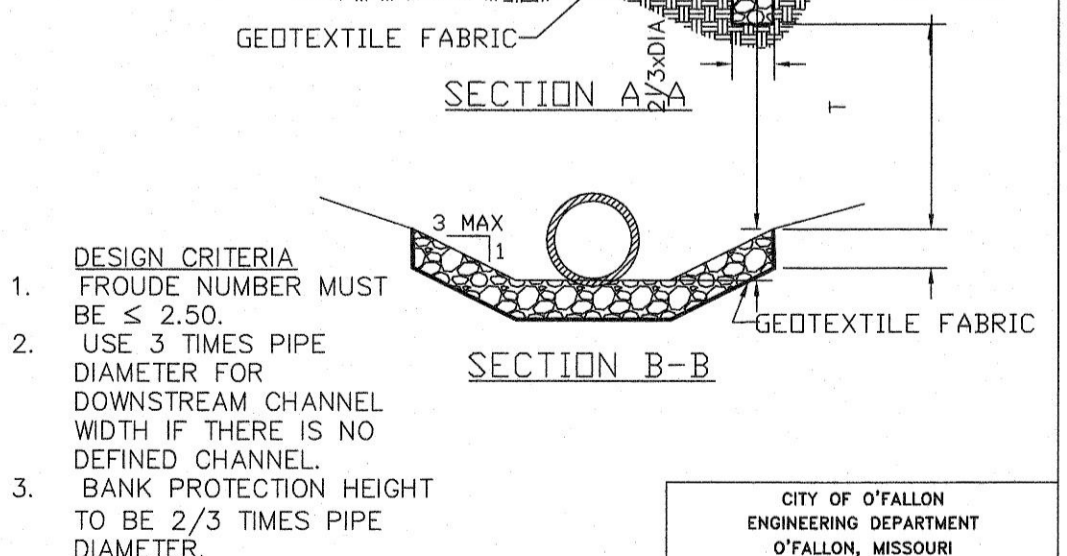
**AREA INLET PROTECTION FABRIC DROP**

DATE: MARCH 2008 DRAWING: ESC-14

**RIPRAP SIZE & APRON DIMENSION**

| PIPE SIZE | VELOCITY < 5 FPS |           |           |           | VELOCITY < 10 FPS |           |           |           |        |      |
|-----------|------------------|-----------|-----------|-----------|-------------------|-----------|-----------|-----------|--------|------|
|           | ROCK SIZE        | APRON DIM | ROCK SIZE | APRON DIM | ROCK SIZE         | APRON DIM | ROCK SIZE | APRON DIM |        |      |
| (inch)    | (inch)           | (inch)    | (ft)      | (inch)    | (inch)            | (inch)    | (ft)      | (inch)    | (inch) | (ft) |
| 12        | 5                | 9         | 15        | 12        | 5                 | 9         | 15        | 16        |        |      |
| 15        | 5                | 9         | 15        | 14        | 5                 | 9         | 15        | 18        |        |      |
| 18-24     | 5                | 9         | 15        | 16        | 9                 | 14        | 24        | 20        |        |      |
| 27-30     | 5                | 9         | 15        | 18        | 9                 | 14        | 24        | 22        |        |      |
| 36-42     | 9                | 14        | 24        | 22        | 12                | 18        | 27        | 26        |        |      |
| 48-54     | 9                | 14        | 24        | 26        | 12                | 18        | 27        | 30        |        |      |
| 60-66     | 12               | 18        | 27        | 34        | 15                | 24        | 30        | 38        |        |      |
| 72-84     | 15               | 24        | 30        | 42        | 15                | 24        | 30        | 46        |        |      |
| 96        | 18               | 27        | 30        | 50        | 18                | 27        | 30        | 54        |        |      |

d<sub>50</sub> - NOMINAL DIAMETER  
 d<sub>max</sub> - MAXIMUM DIAMETER  
 T - THICKNESS  
 L - LENGTH



CITY OF O'FALLON  
ENGINEERING DEPARTMENT  
O'FALLON, MISSOURI

**TEMPORARY OUTLET PIPE DISCHARGE PROTECTION**

CONSTRUCTION PLANS FOR  
**La Carreta**  
316 SONDEREN STREET  
O'FALLON, ST. CHARLES COUNTY, MO., 63866

PREPARED FOR:  
SERGIO SALAZAR GOMEZ  
O'FALLON, MISSOURI, 63366  
636-880-8943

**Box Engineering Company, Inc.**  
Missouri State Certificate of Authority  
Engineering #000655  
Missouri State Certificate of Authority  
Surveying #000144

**REVISIONS**

| NO.    | DATE | DESCRIPTION   |
|--------|------|---------------|
| 9-3-20 |      | CITY COMMENTS |

221 Point West Blvd.  
St. Charles, MO 63301  
636-928-5552  
FAX 928-1718

DISCLAIMER OF RESPONSIBILITY  
I hereby disclaim any responsibility for all other drawings, specifications, estimates, reports or other documents or instruments relating to or intended to be used for any part or parts of the architectural or engineering project of survey other than that indicated by my seal.

STATE OF MISSOURI  
CLIFFORD L. HEITMANN  
NUMBER E-29817  
9-3-20  
CLIFFORD L. HEITMANN  
Civil Engineer  
E29817

8-10-20  
DATE  
96-8088D  
PROJECT NUMBER  
8088Dpre.dwg  
FILE NAME  
MWN  
DRAWN  
MWN CLH  
DESIGNED CHECKED

**EROSION CONTROL DETAILS**

**C-3**

UNDERGROUND UTILITIES HAVE BEEN PLOTTED FROM AVAILABLE INFORMATION AND THEREFORE THEIR LOCATIONS SHALL BE CONSIDERED APPROXIMATE ONLY. THE VERIFICATION OF THE LOCATION OF ALL UNDERGROUND UTILITIES, EITHER SHOWN OR NOT SHOWN ON THESE PLANS SHALL BE THE RESPONSIBILITY OF THE CONTRACTOR, AND SHALL BE LOCATED PRIOR TO ANY GRADING OR CONSTRUCTION OF THE IMPROVEMENTS.