

ARCHITECT  
CIVIL ENGINEER

THOMAS ROOF INC. ARCHITECTS  
J.R. GRIMES CONSULTING ENGINEERS, INC.

**ARCO**  
Construction Company, Inc.

LABOURE CENTRE  
N.W.C. HWY K &  
TECHNOLOGY DRIVE  
O'FALLON, MISSOURI



THOMAS ROOF INC. ARCHITECTS  
6221 Mariposa Ave. Suite 300  
St. Louis, Missouri 63105  
Tel: 314-728-9990 Fax: 314-728-9991  
www.thomasroof.com

DATE: 02/13/04

REVISIONS

DWG. BY: J.L.W.

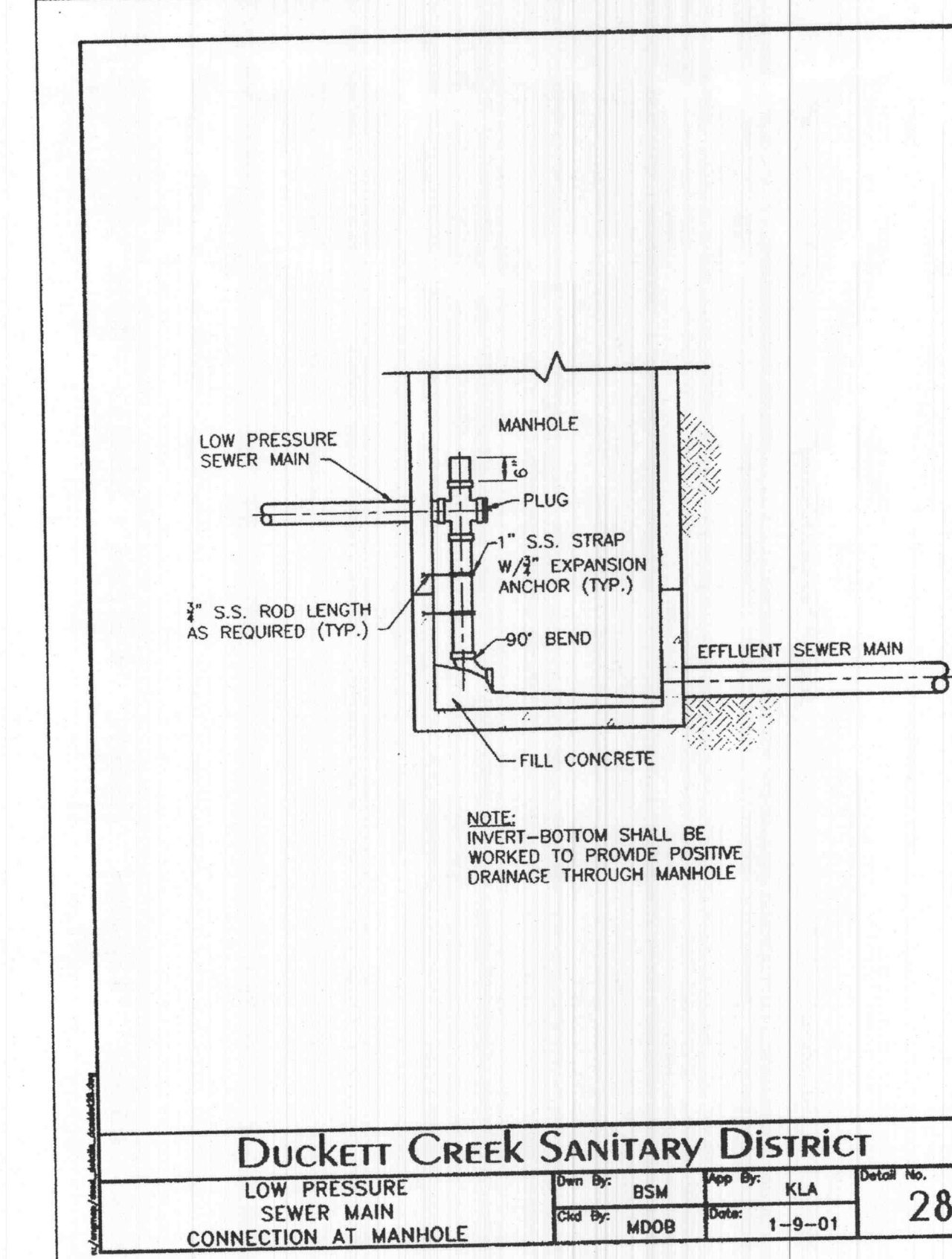
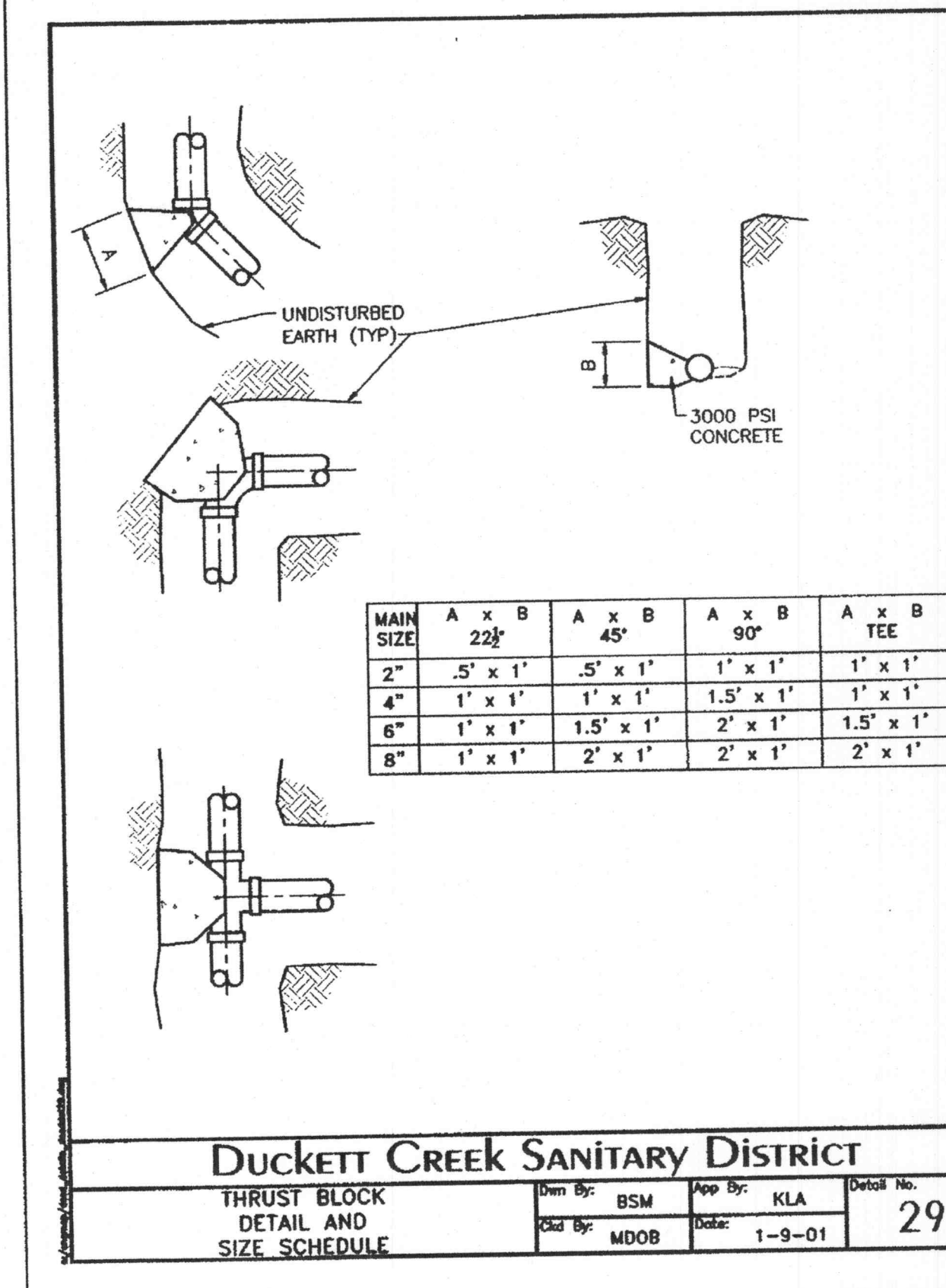
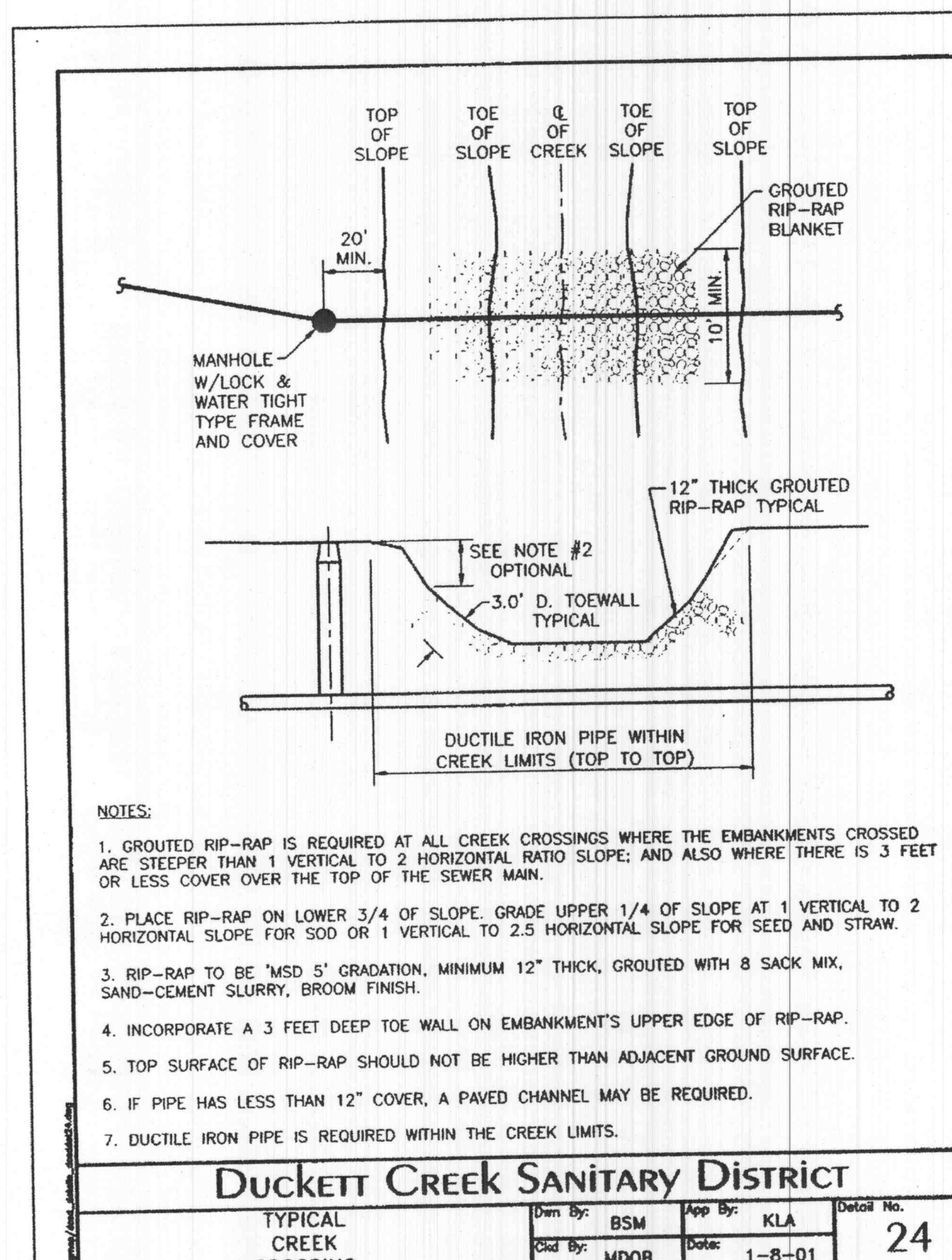
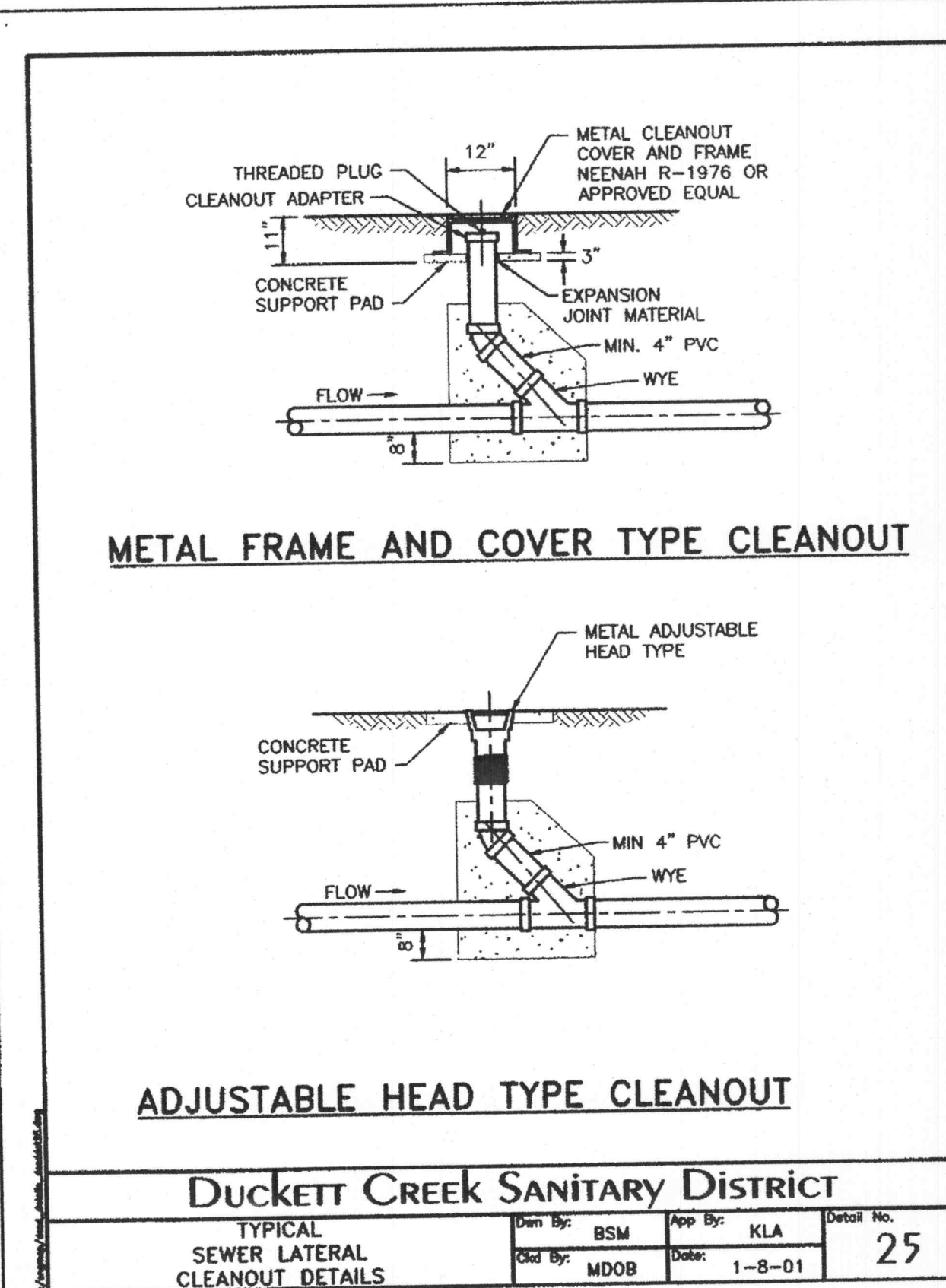
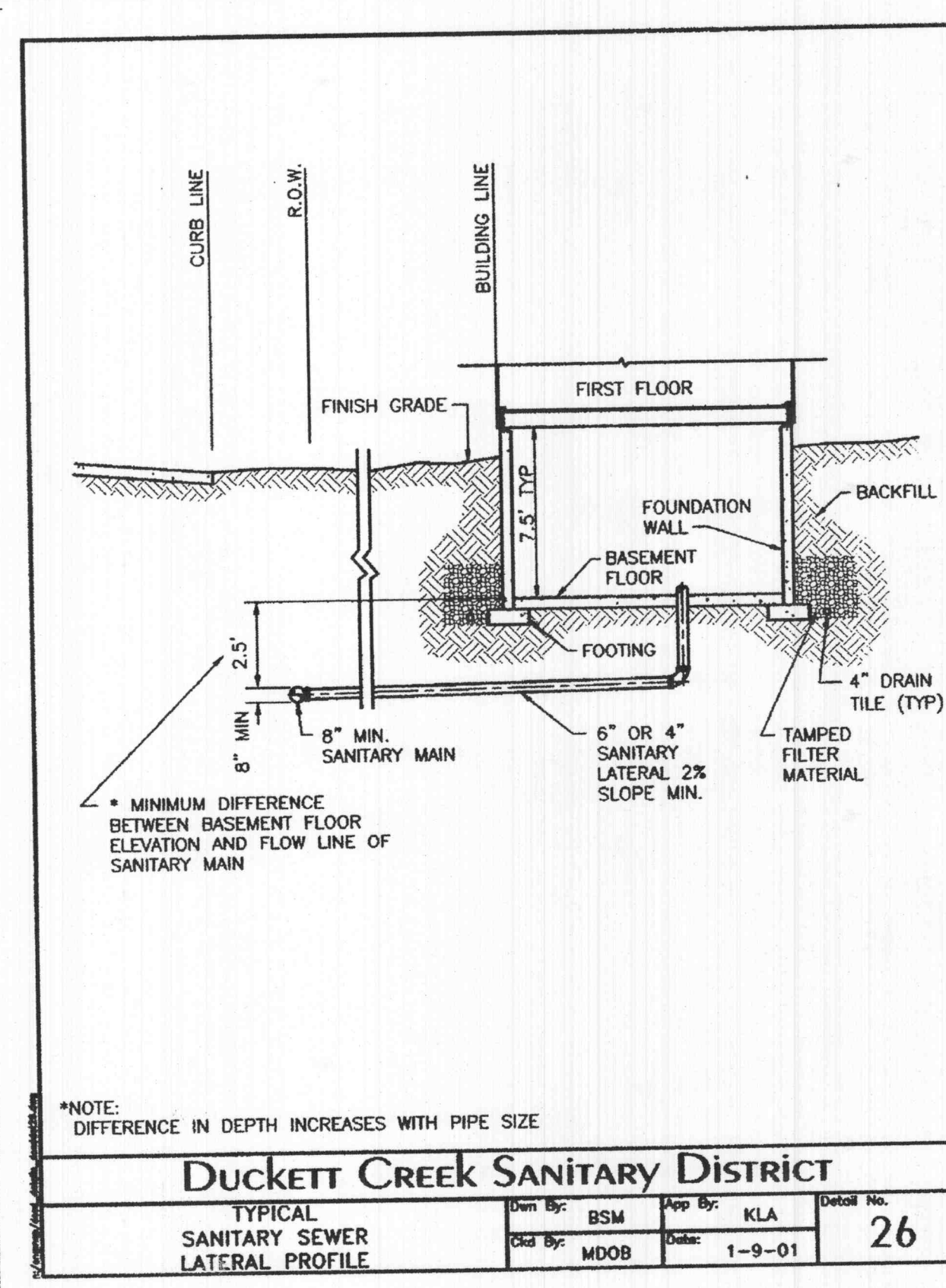
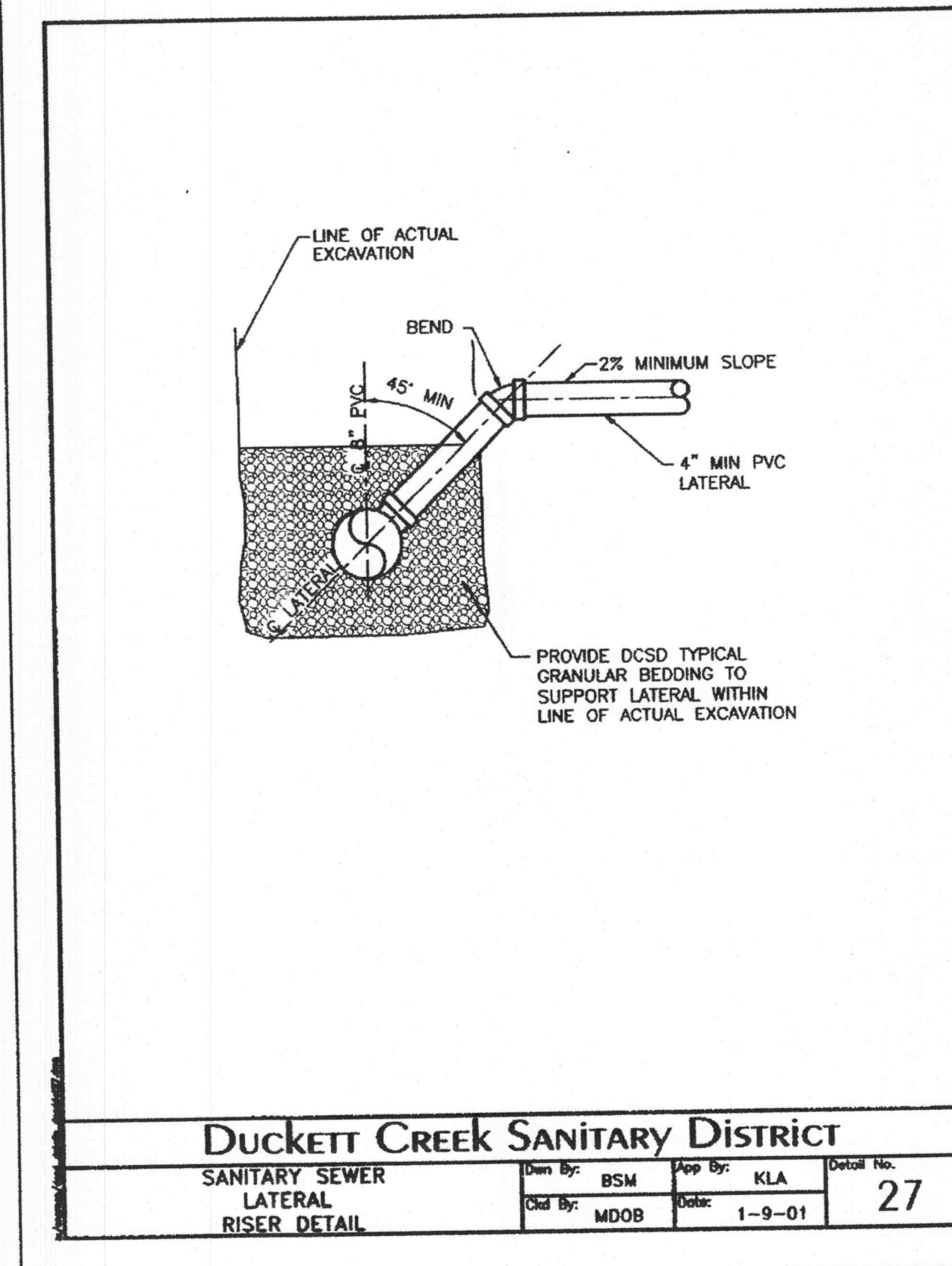
PROJECT NO. 1004B

SHEET NO.

**C9.5**

SANITARY SEWER DETAILS

P&Z FILE # 0704/0704.01



J:\004\1004B\PLANS\09 5-SAN-DETAILS.dwg Tue Feb 17 07:08:22 2004 JIM-W

PREPARED FOR:  
WILLIAM H. ERKER  
35 N. CENTRAL, STE 400  
ST. LOUIS, MO 63105  
PH: (314) 863-6061  
FAX: (314) 863-6146