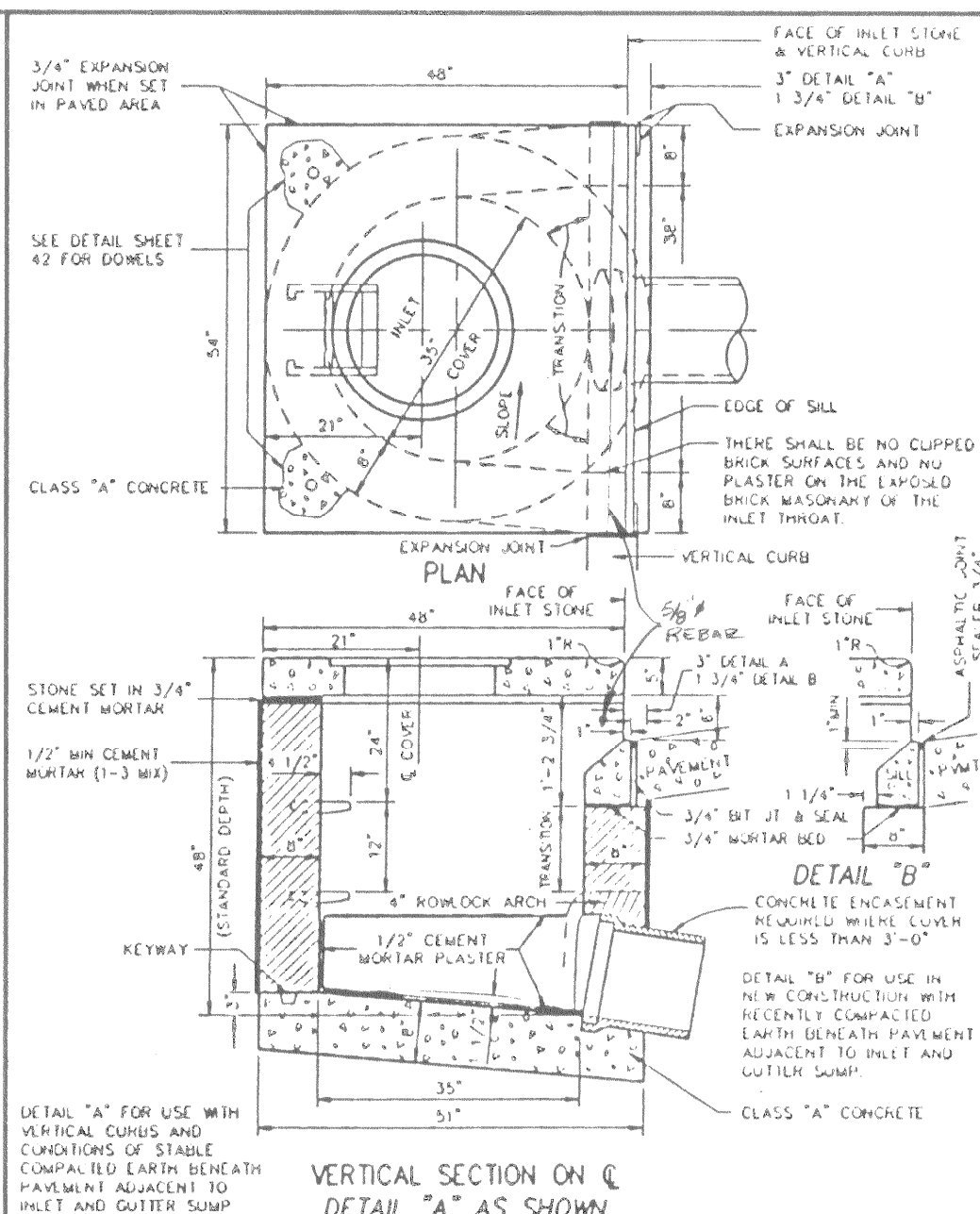
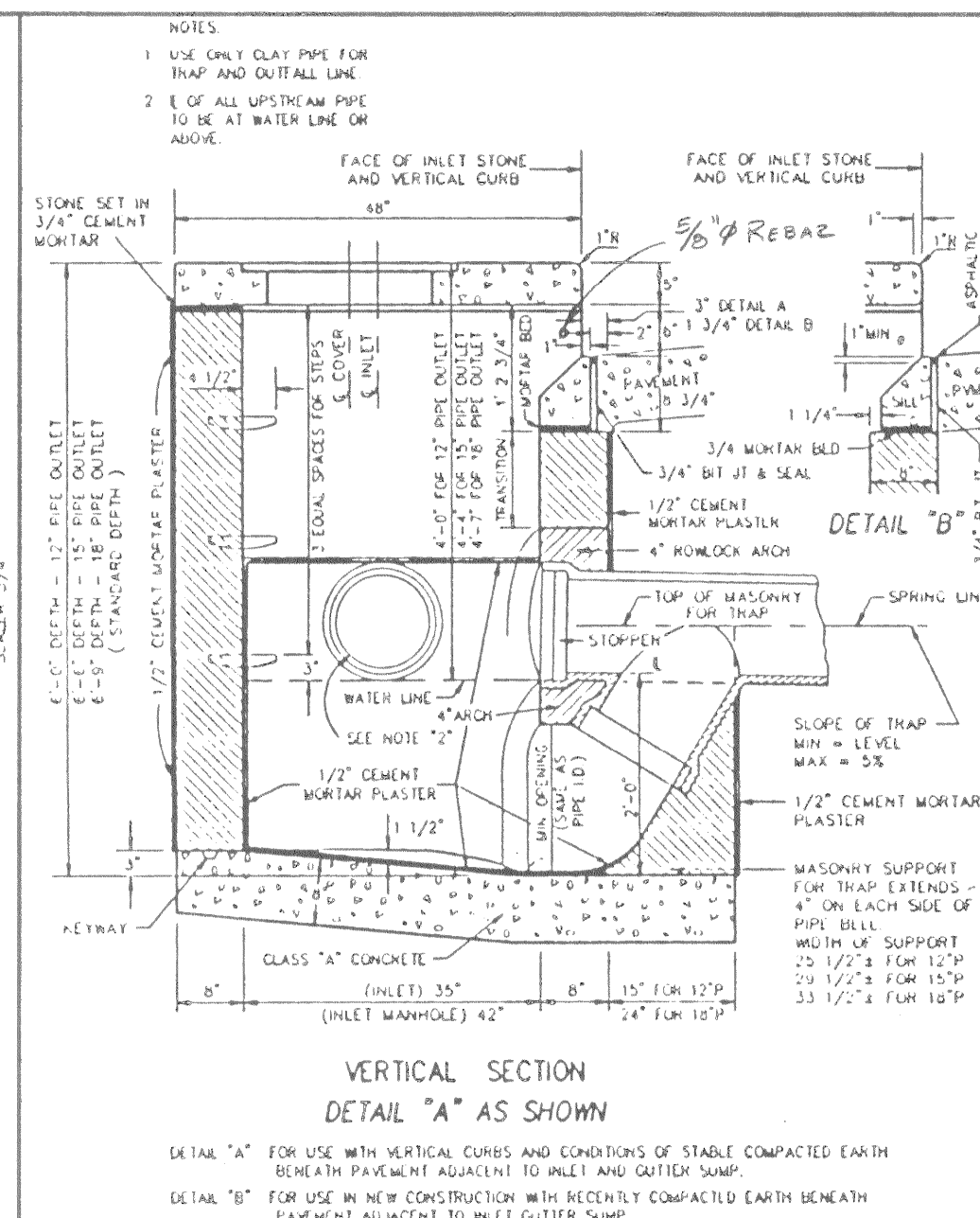


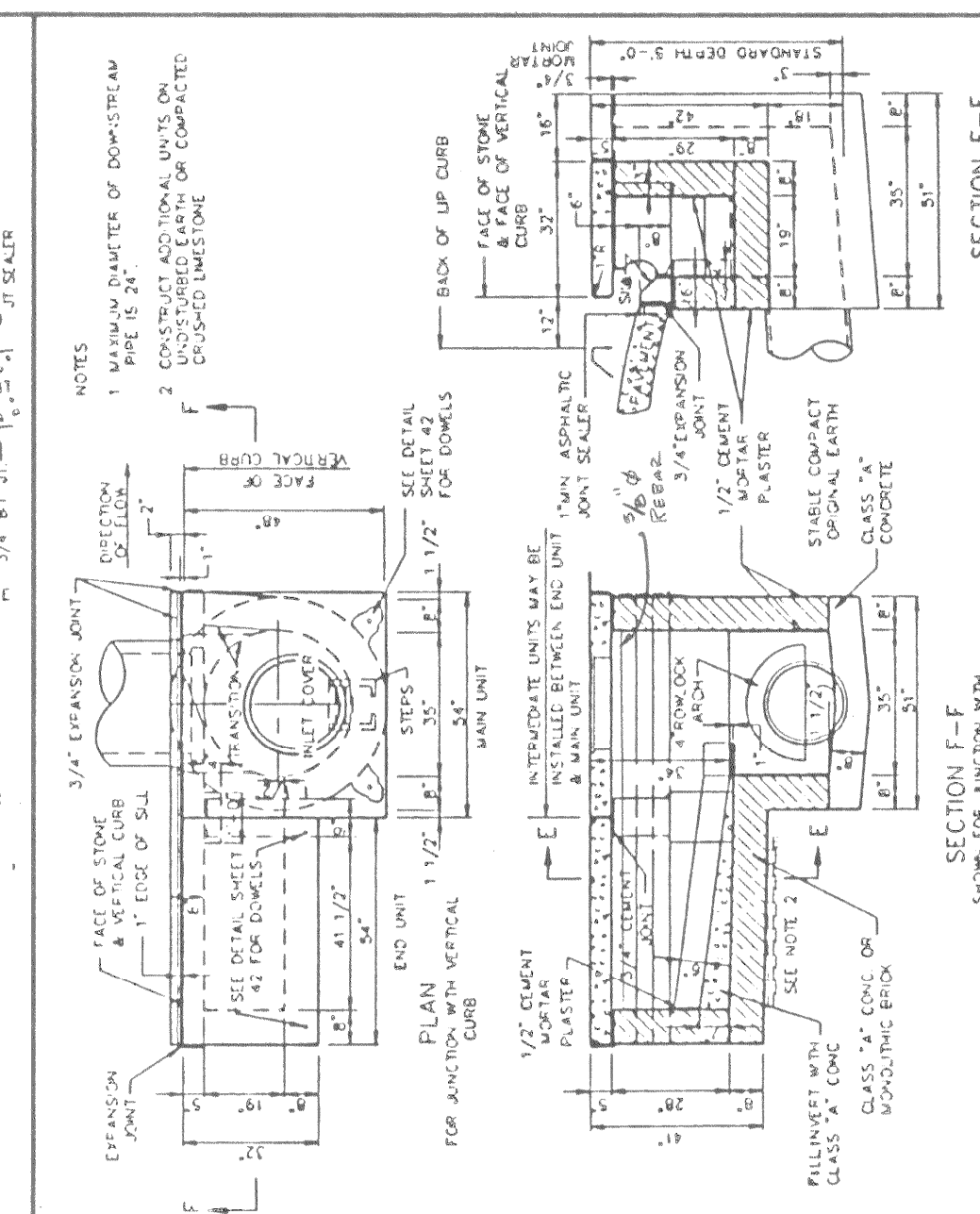
TYPICAL PRE-CAST MH. TEE FOR REINFORCED CONCRETE PIPE SEWERS 48" AND LARGER IN DIAMETER



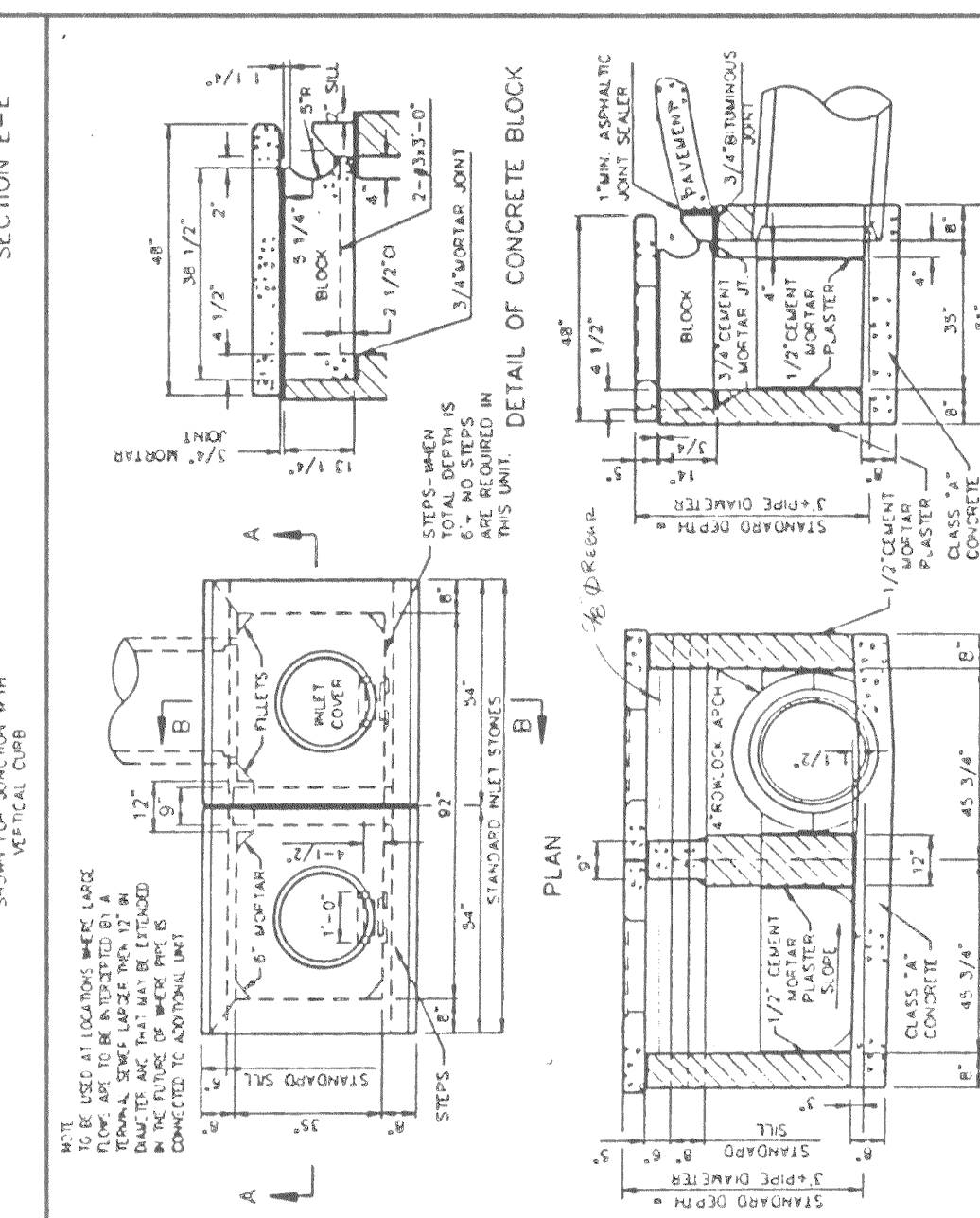
UNTRAPPED STREET INLET BRICK CONSTRUCTION



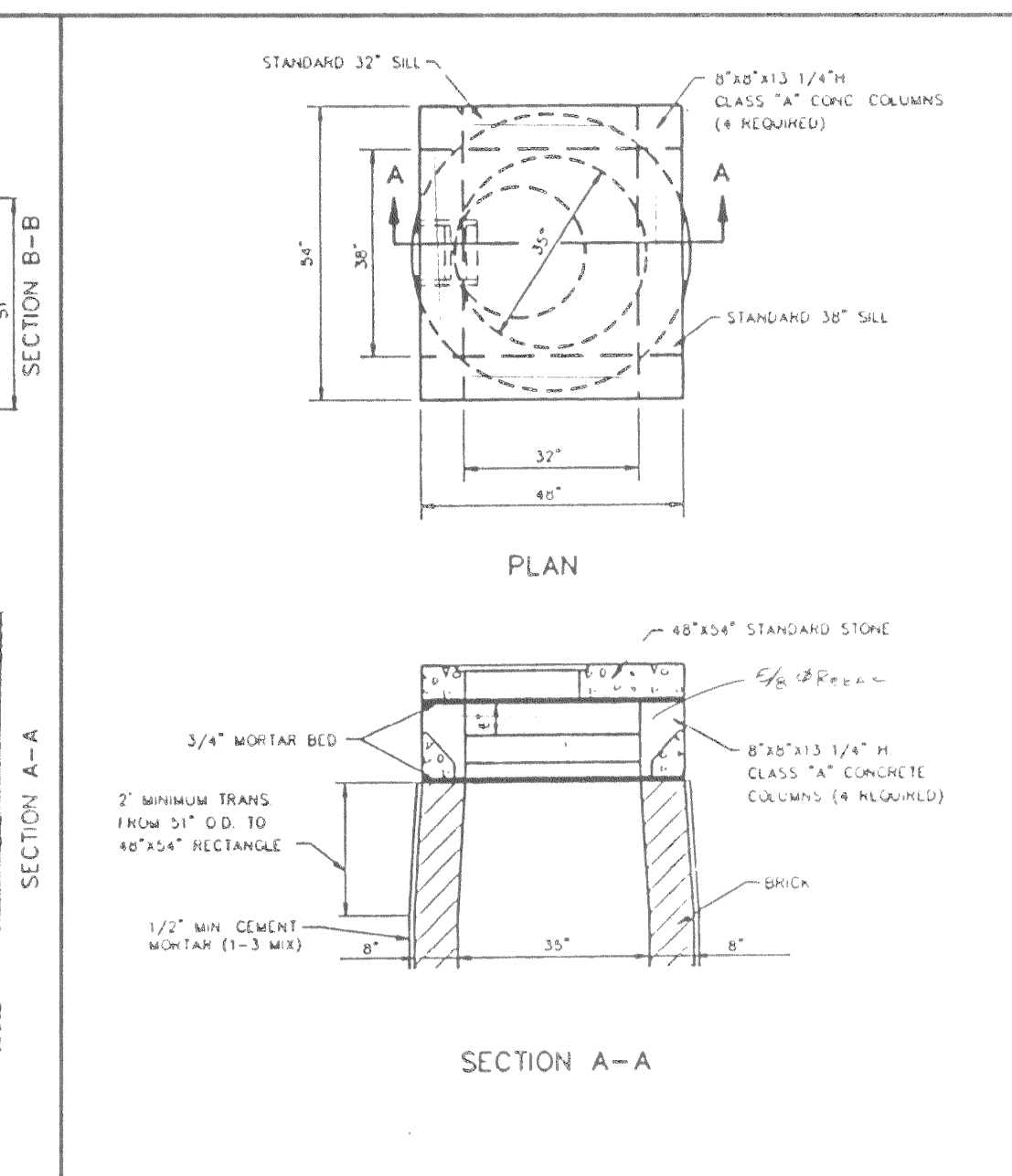
TRAPPED STREET INLET BRICK CONSTRUCTION



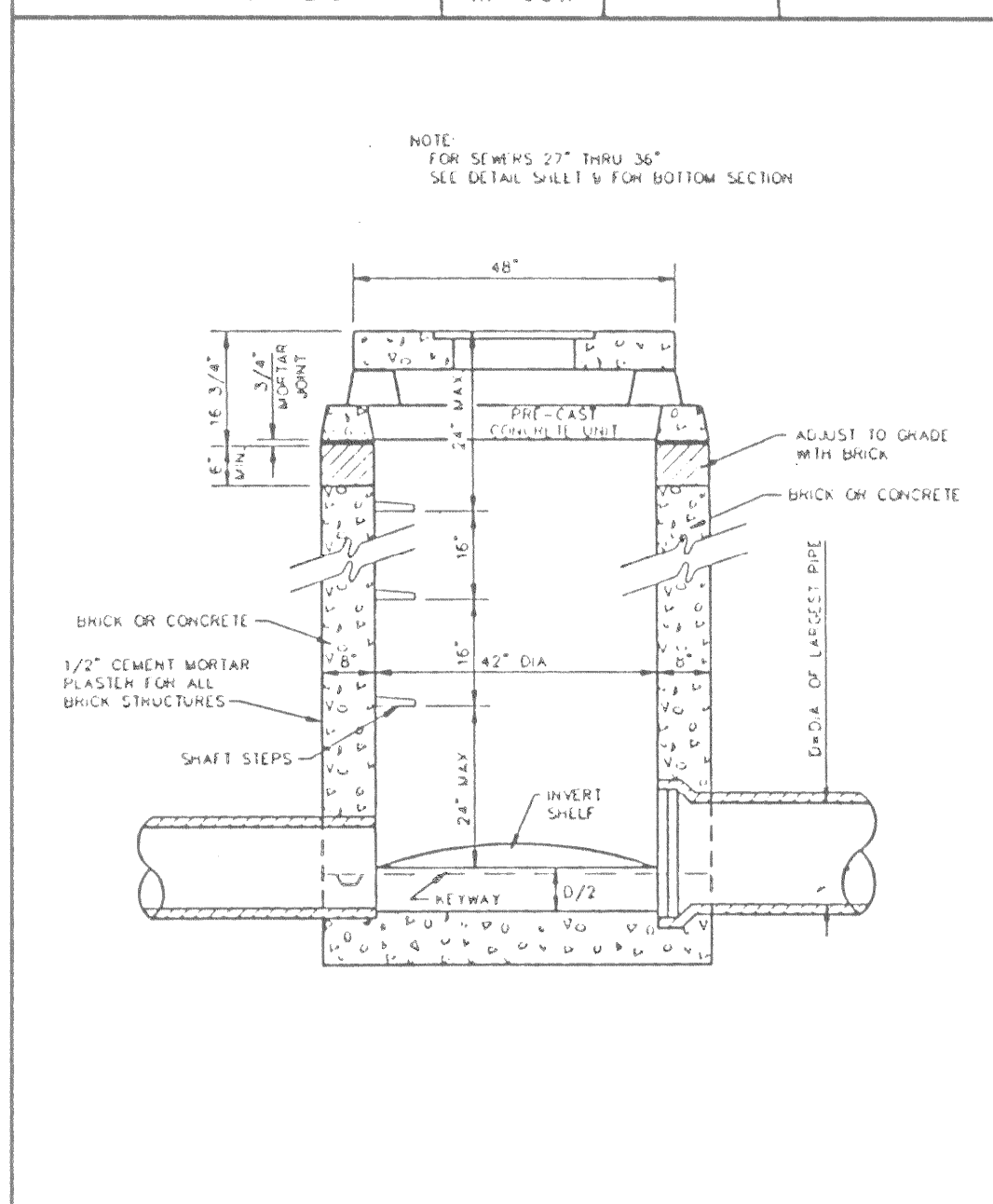
MULTIPLE STREET INLET BRICK CONSTRUCTION



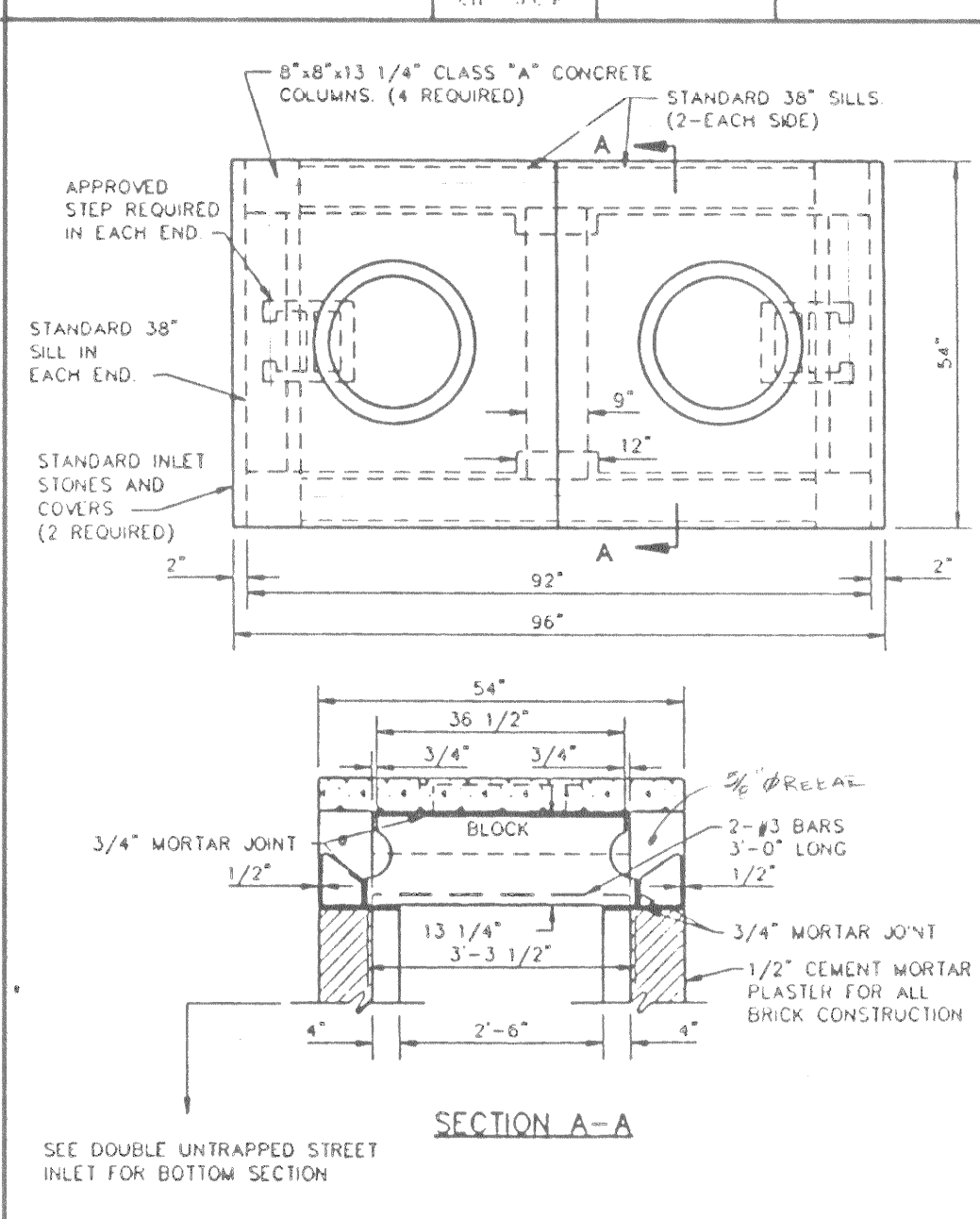
DOUBLE UNTRAPPED STREET INLET BRICK CONSTRUCTION



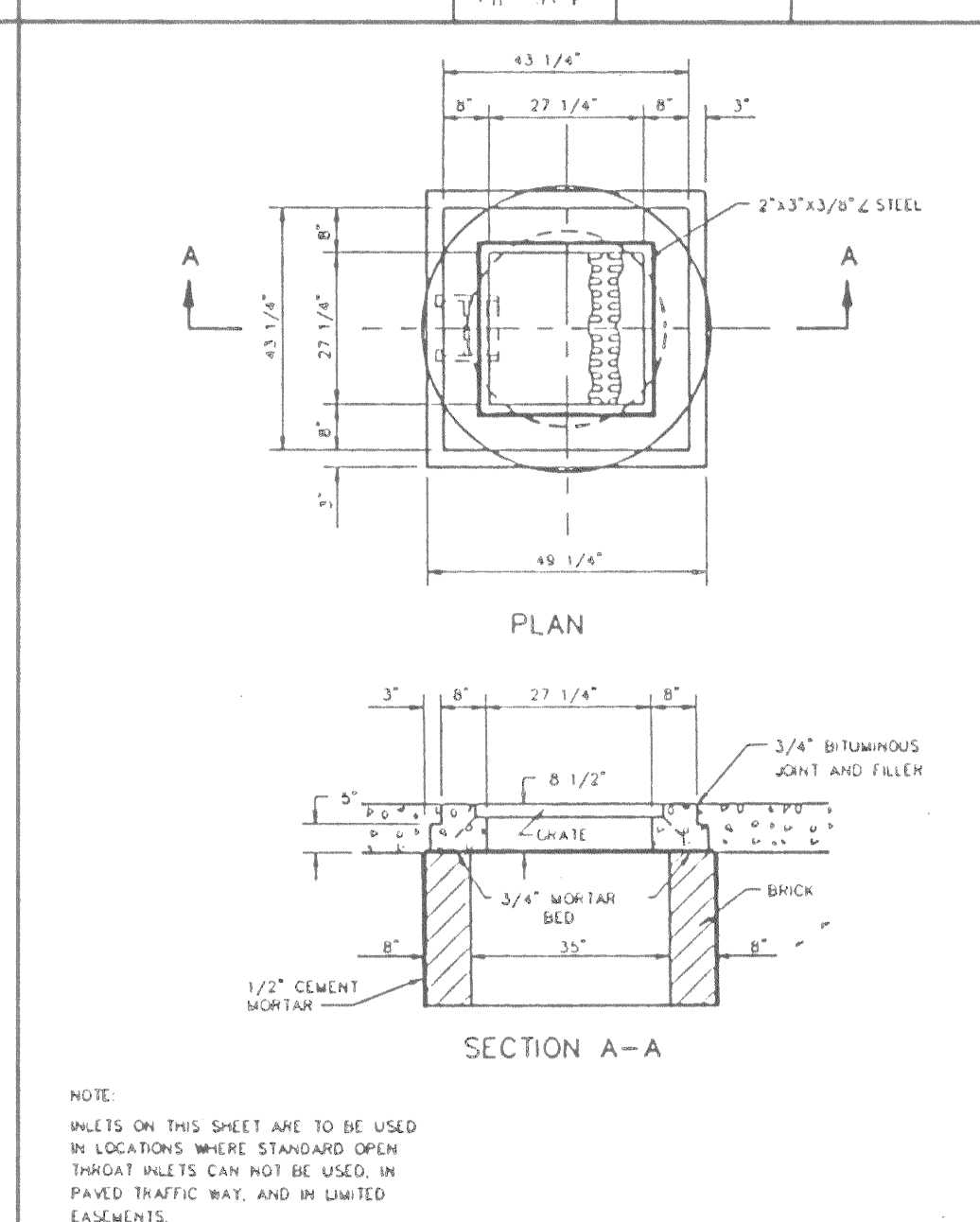
AREA INLET OPEN 4 SIDES BRICK CONSTRUCTION



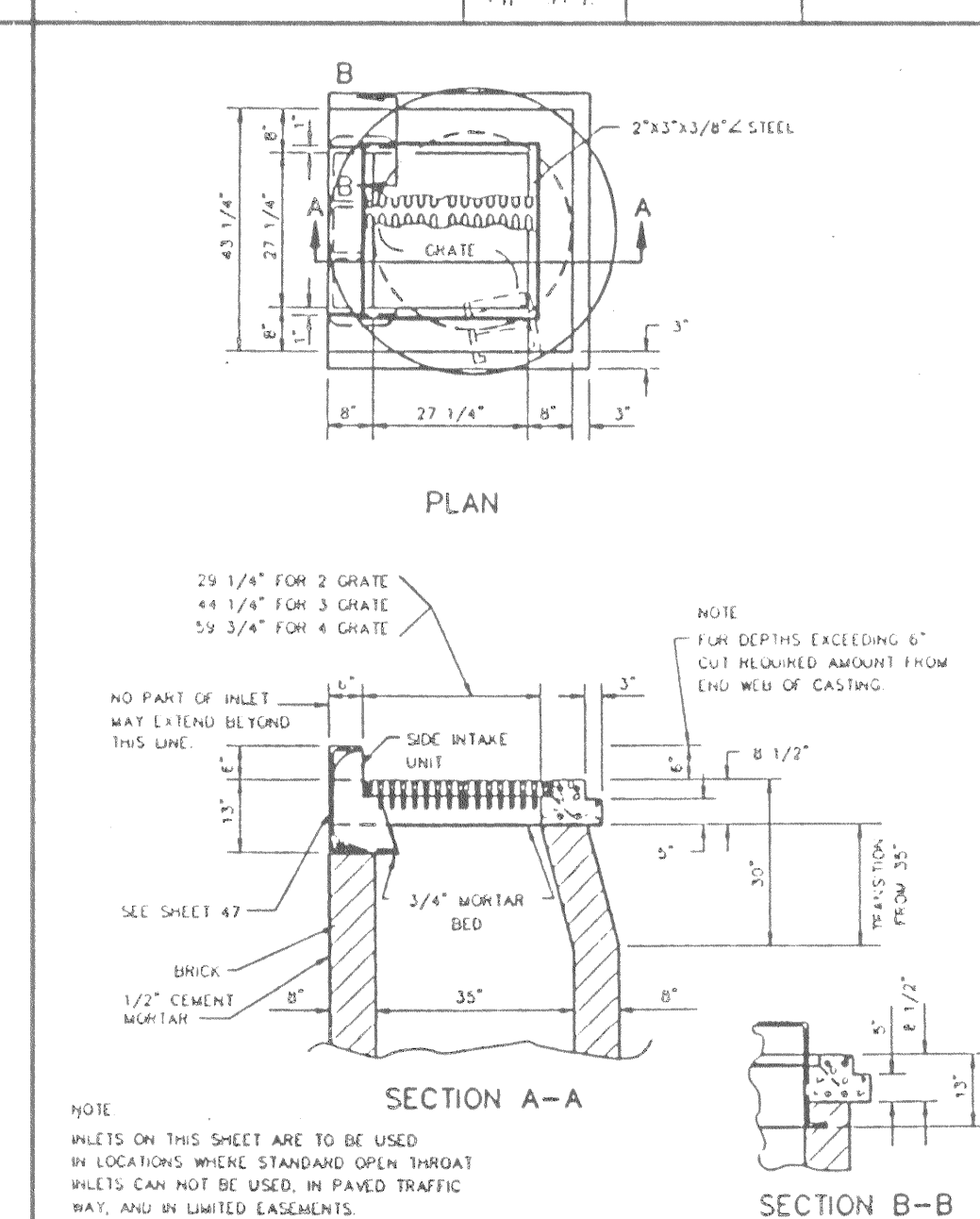
AREA INLET MANHOLE (12" THRU 24")



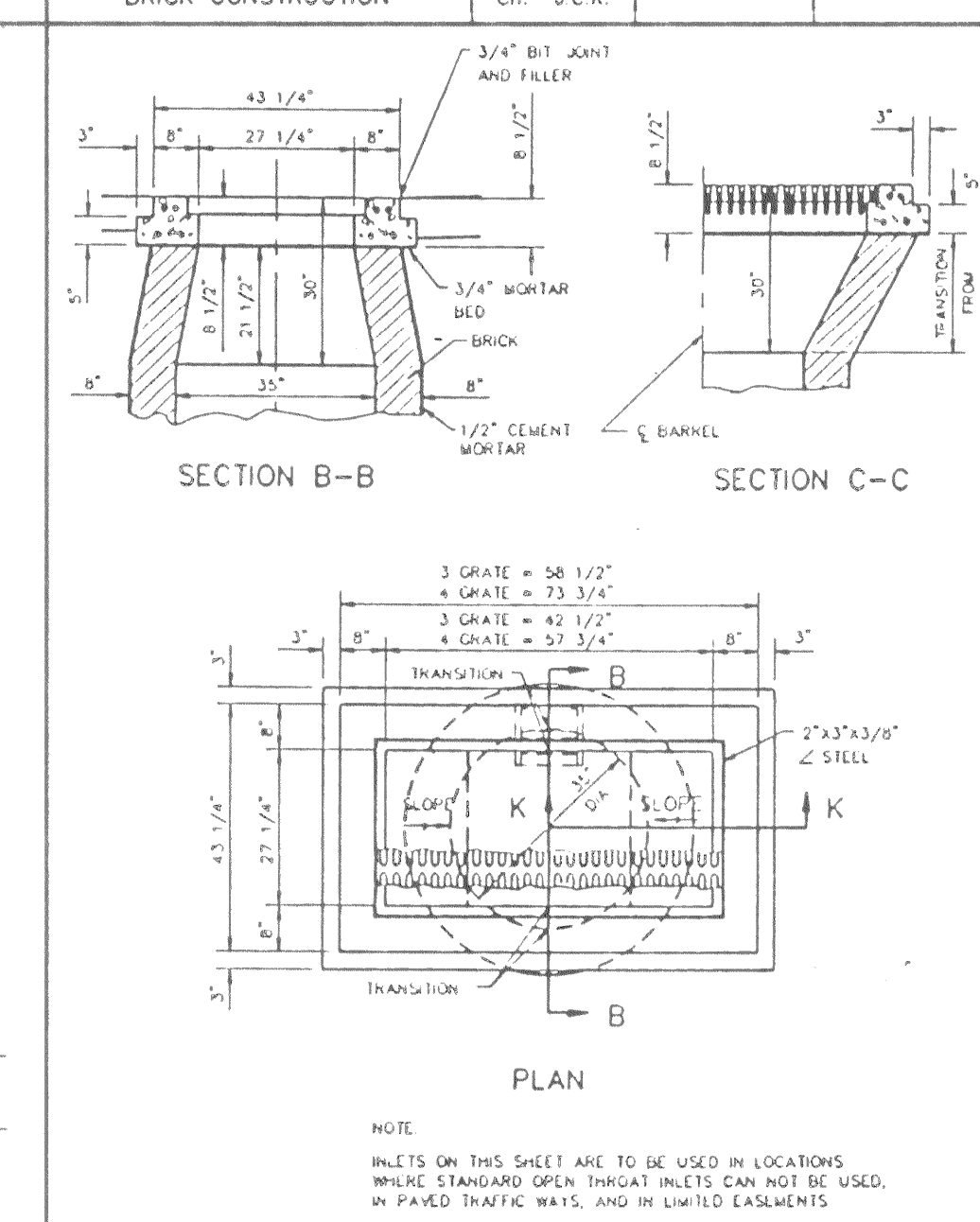
DOUBLE AREA INLET OPEN 4 SIDES BRICK CONSTRUCTION



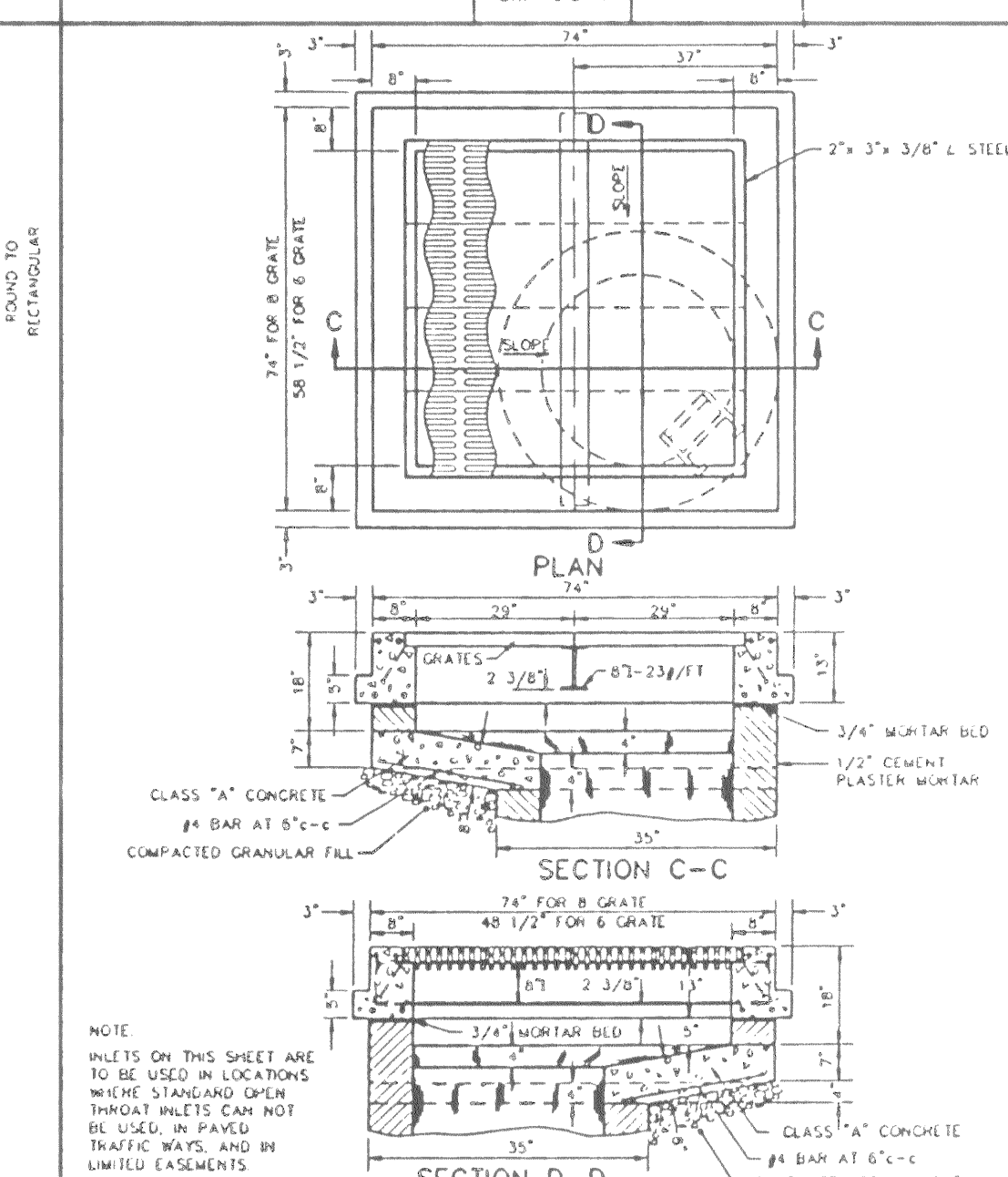
2 GRATE INLET BRICK CONSTRUCTION



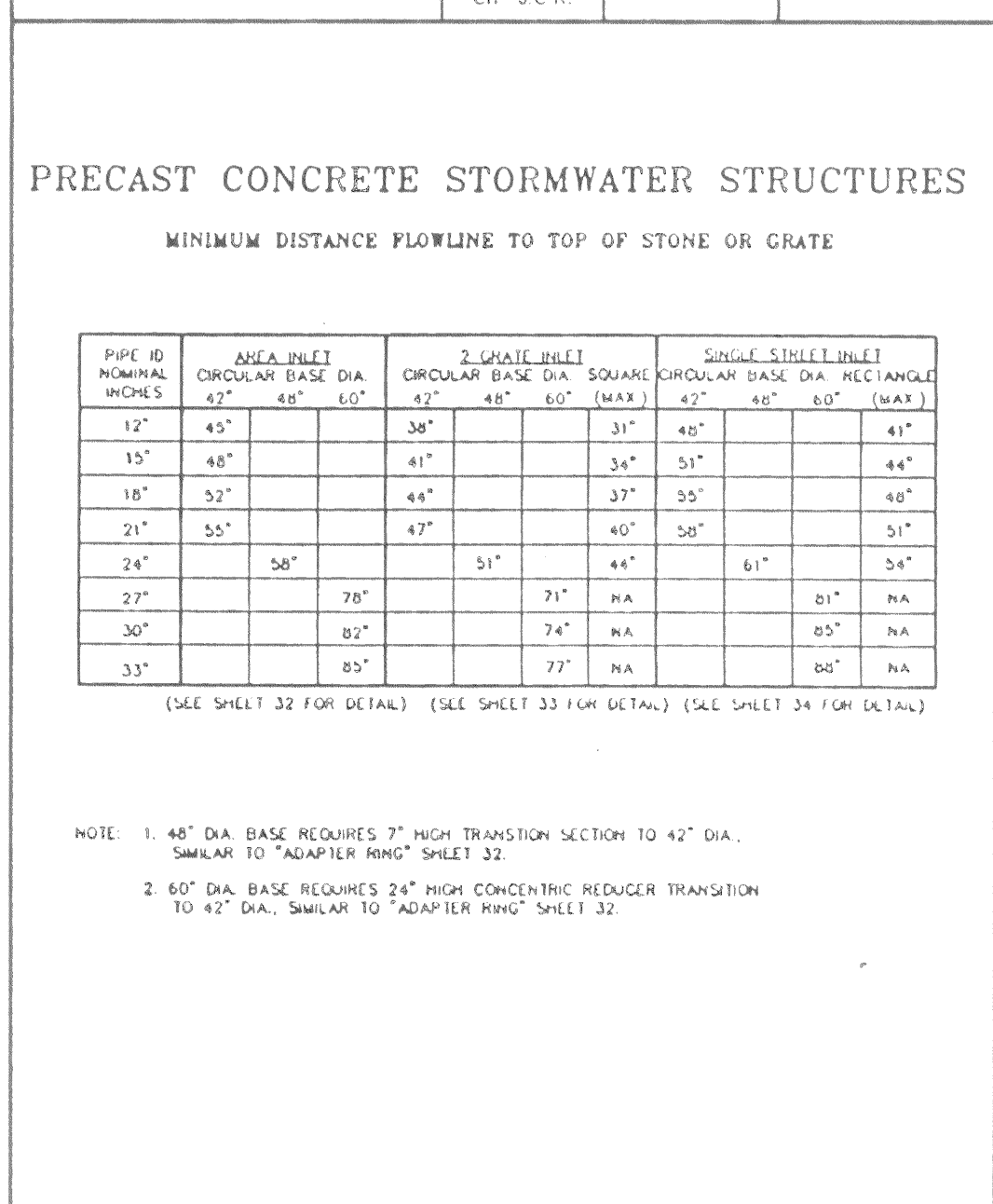
2 GRATE INLET WITH SIDE INTAKE BRICK CONSTRUCTION



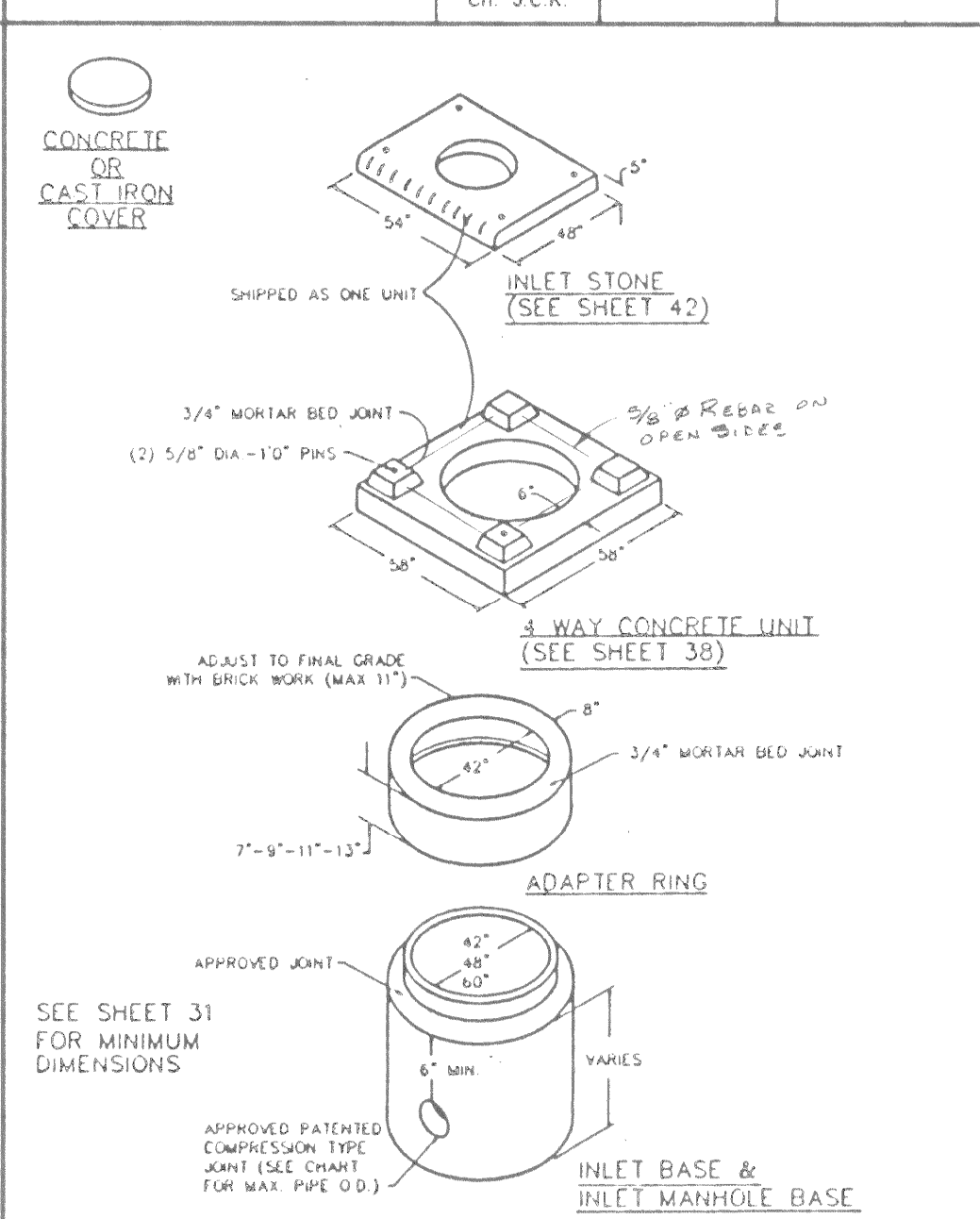
3 & 4 GRATE INLET BRICK CONSTRUCTION



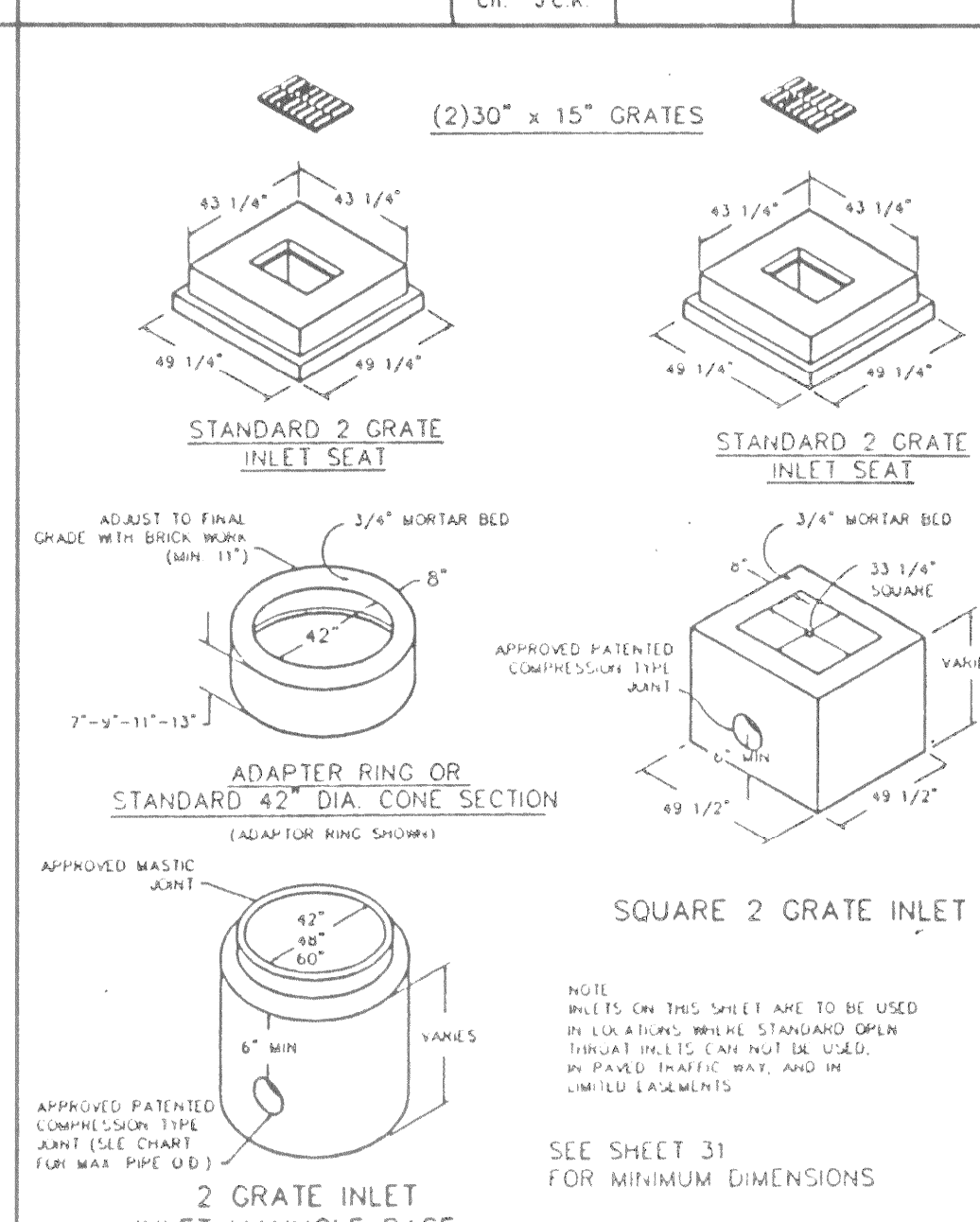
6 & 8 GRATE INLET BRICK CONSTRUCTION



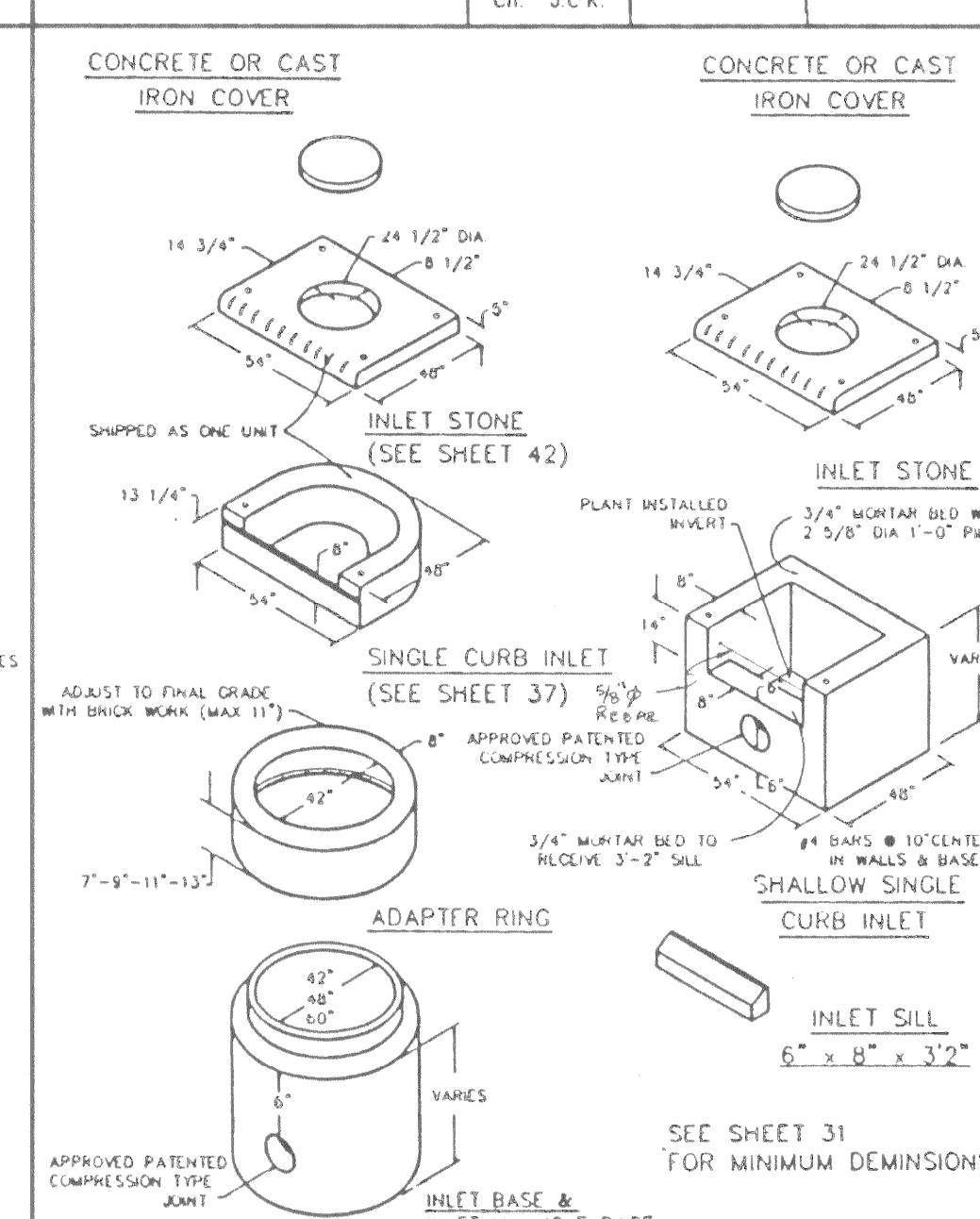
PRECAST CONCRETE STORMWATER STRUCTURES



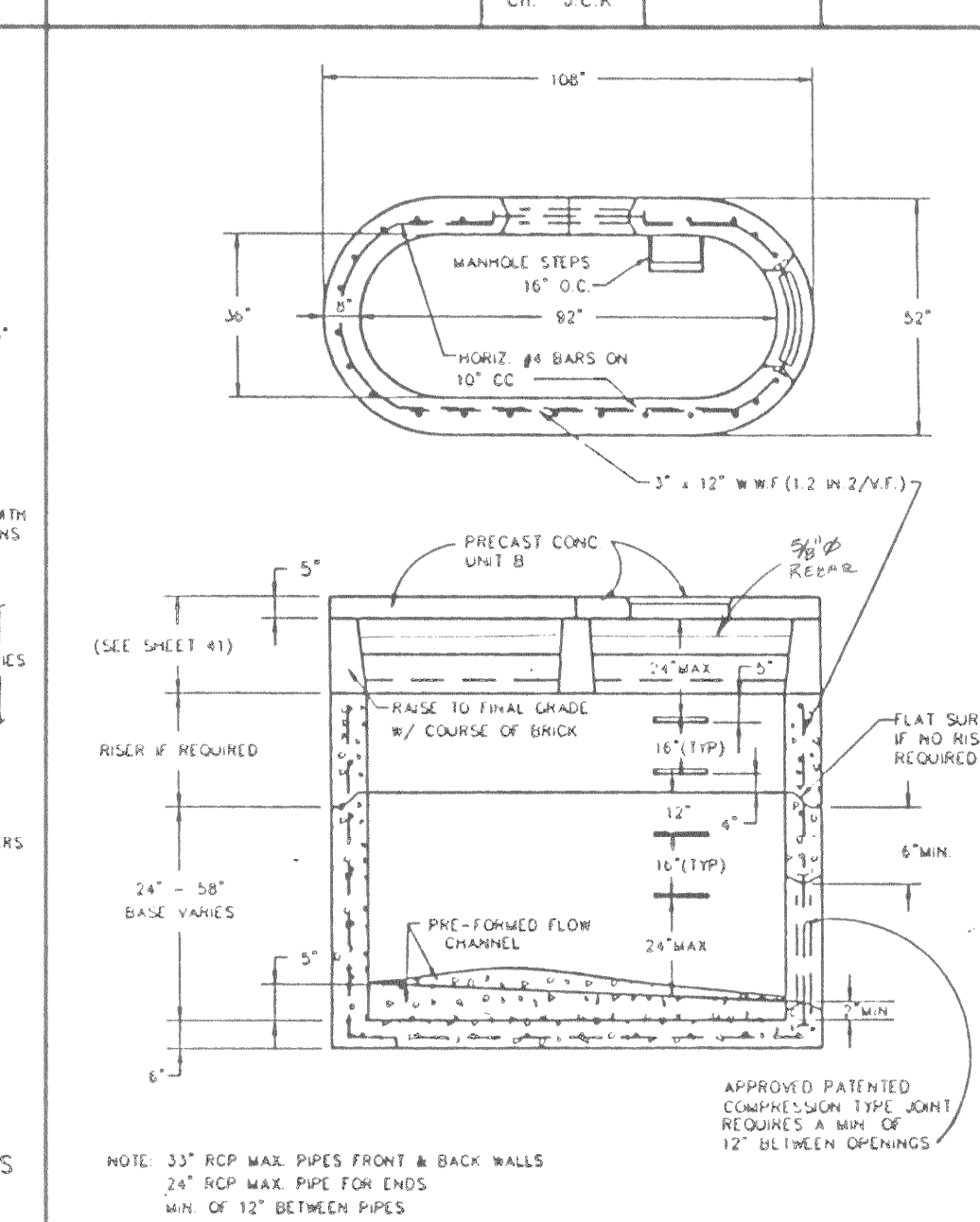
AREA INLET PRECAST CONCRETE



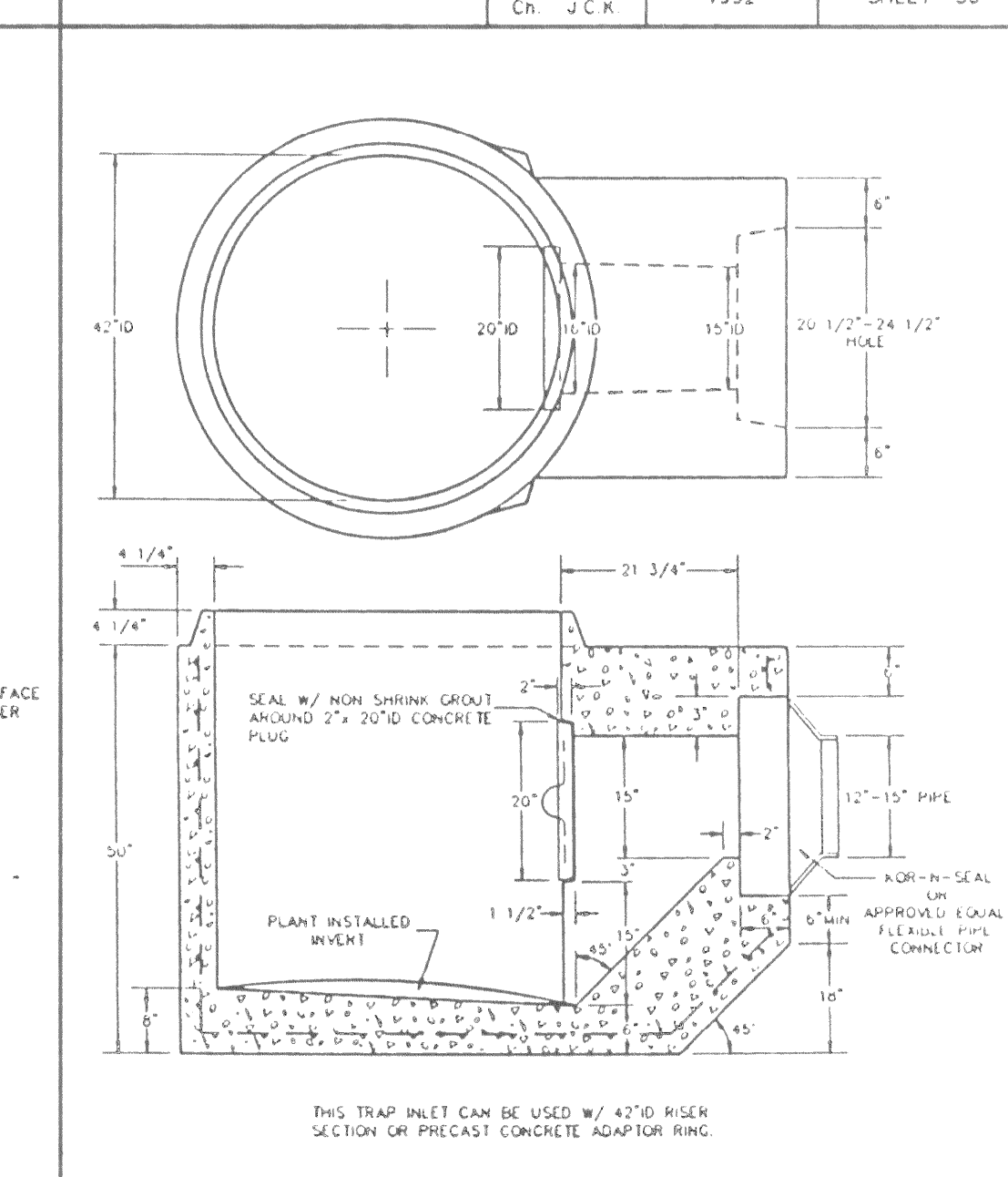
2 GRATE INLETS PRECAST CONCRETE



SINGLE STREET INLETS PRECAST CONCRETE



DOUBLE UNTRAPPED STREET INLET PRECAST CONCRETE



TRAPPED STREET INLET BASE PRECAST CONCRETE