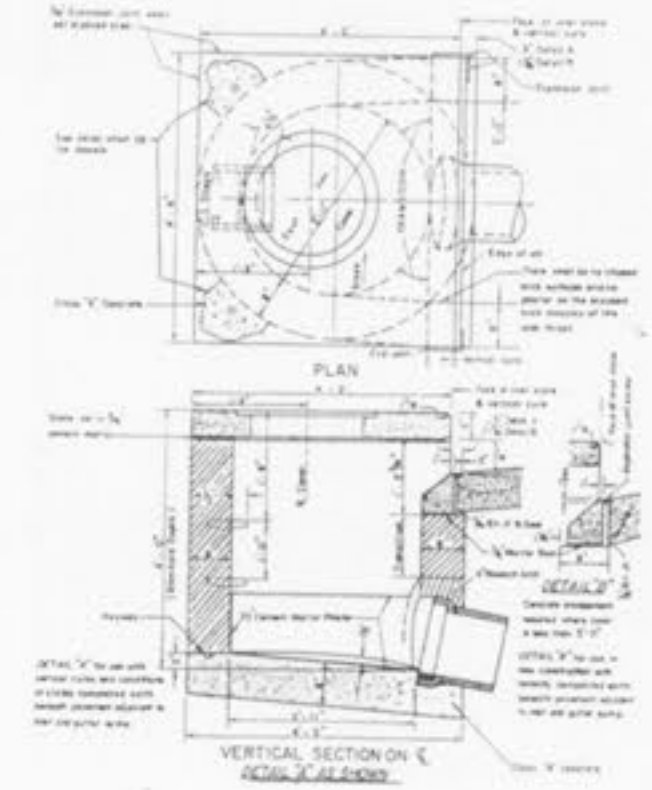
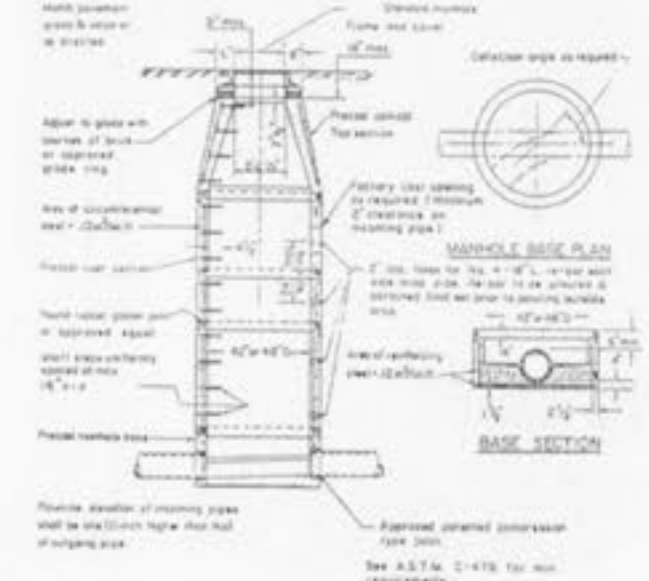


DOUBLE CURB INLET

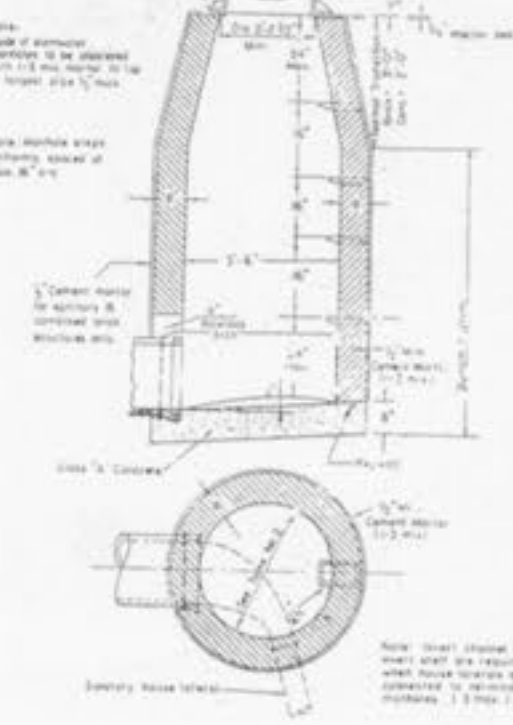


SINGLE CURB INLET

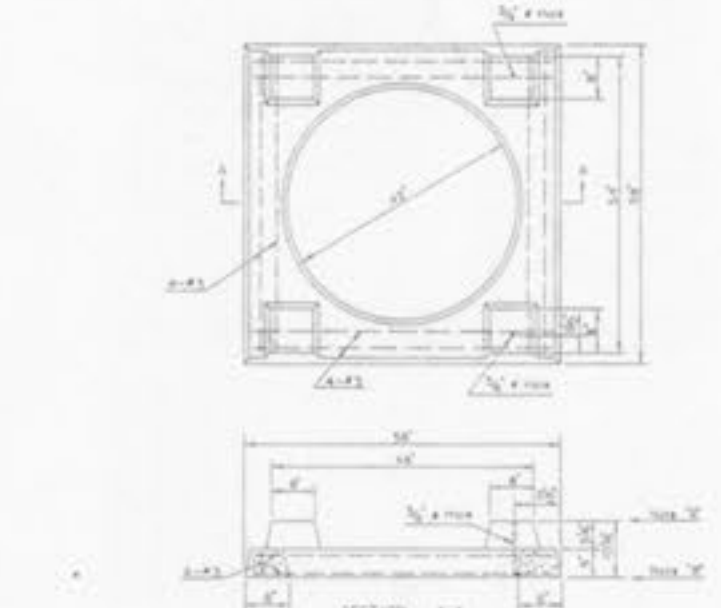
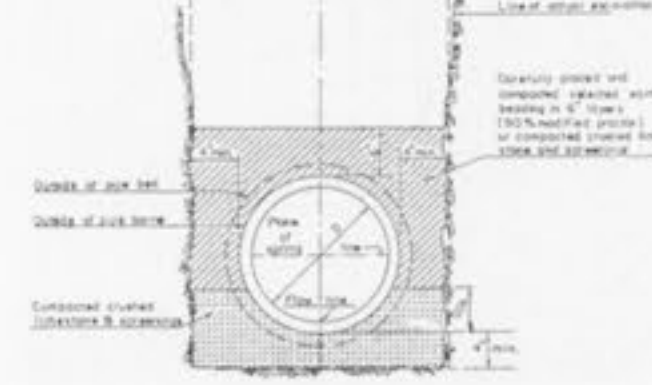
PRE-CAST CONCRETE MANHOLE (FOR SEWERS 8"-12")
ALL SANITARY MANHOLES TO BE PRE-CAST



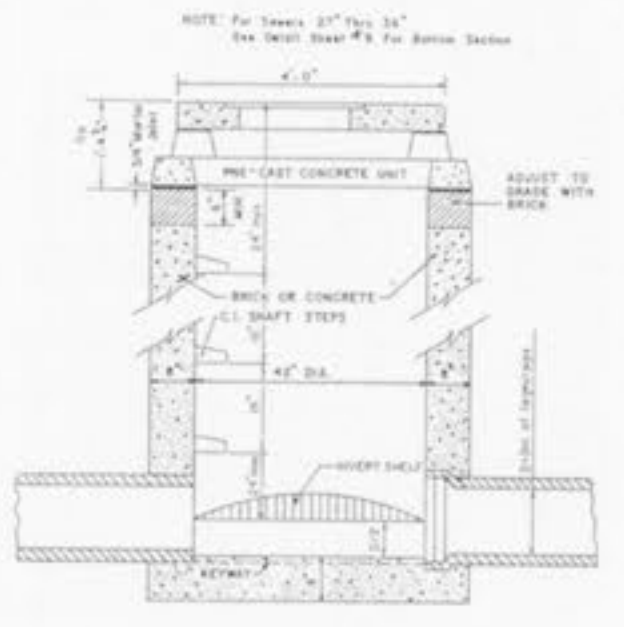
TERMINAL MANHOLE



CLASS "C" BEDDING (FOR ALL PIPE EXCEPT REINFORCED CONCRETE PIPE)

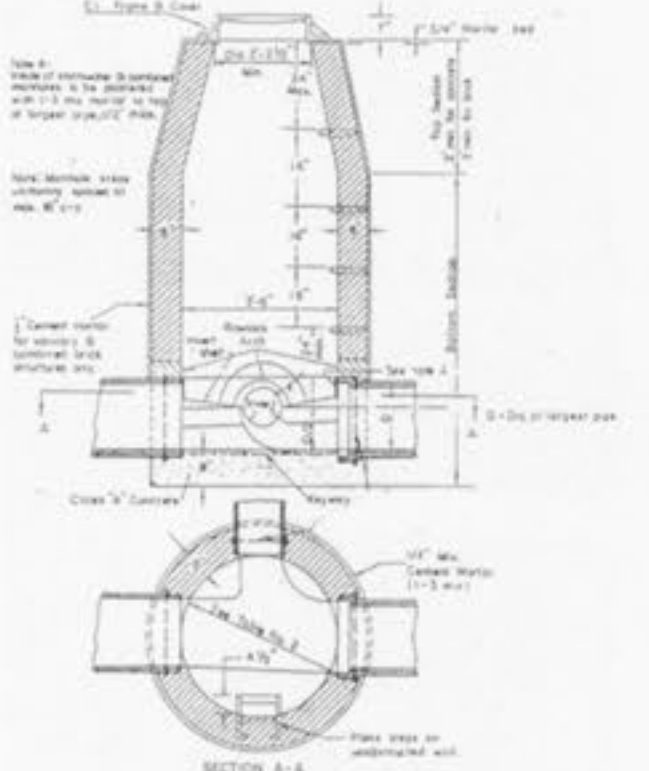


PRE-CAST CONCRETE UNIT FOR AREA INLET



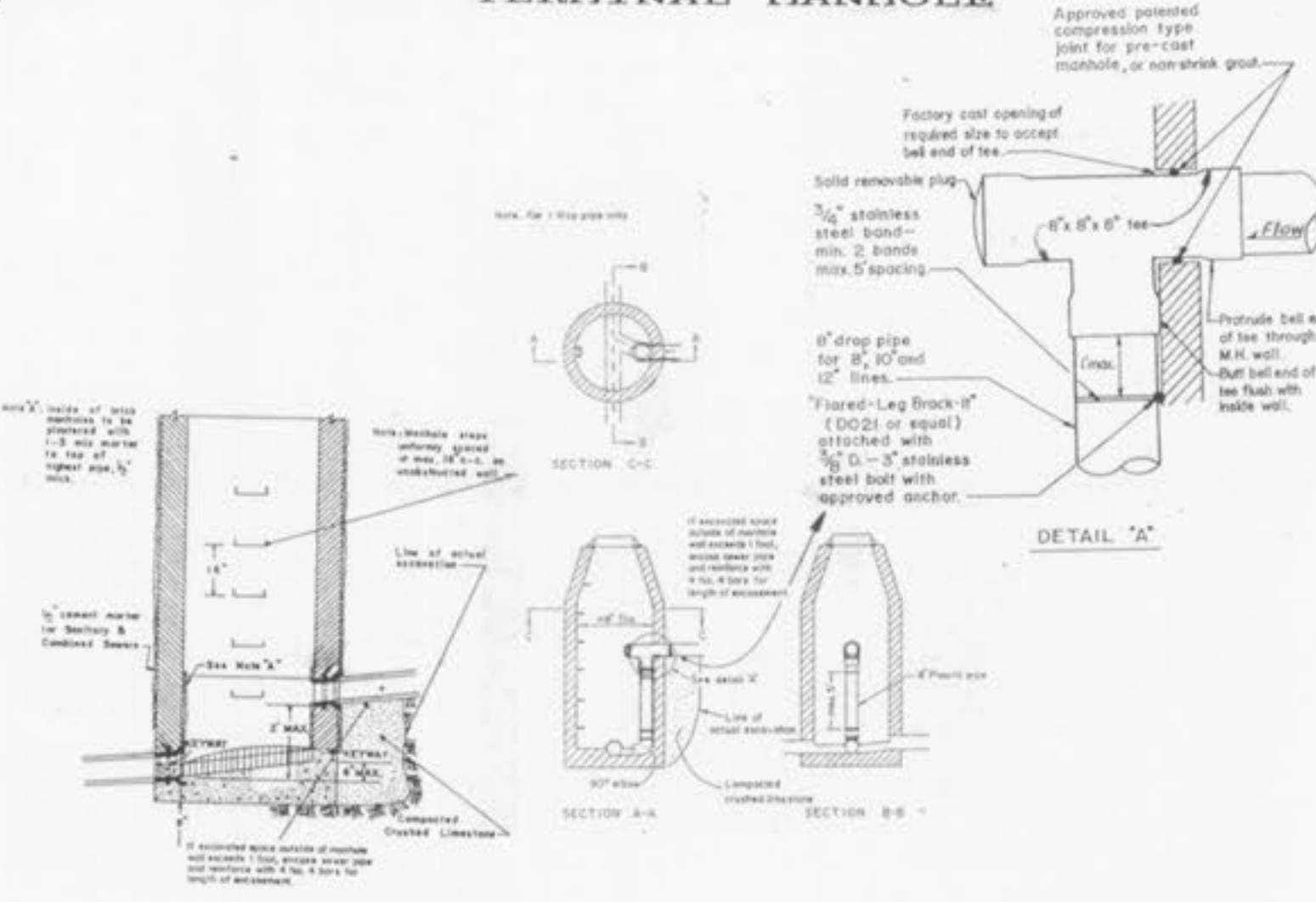
AREA INLET

PRE-CAST CONCRETE MANHOLE (FOR SEWERS 8"-12")
ALL SANITARY MANHOLES TO BE PRE-CAST



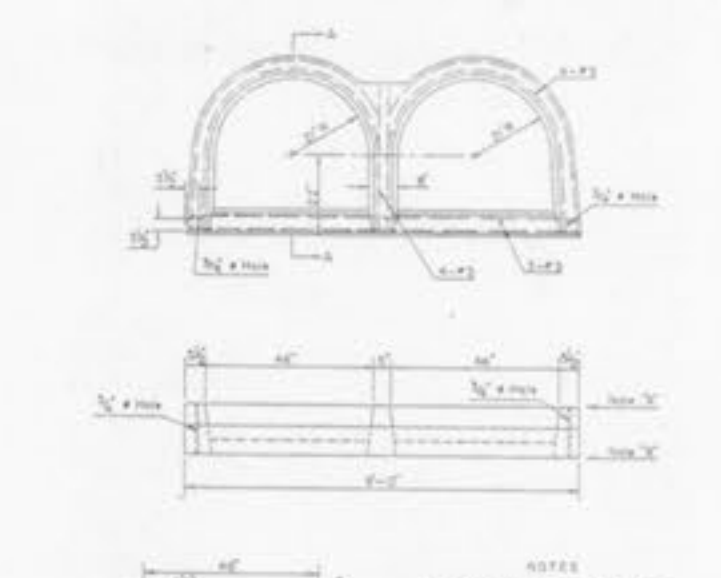
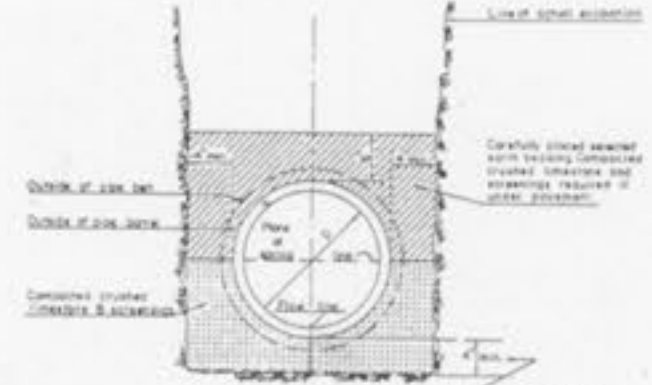
LINE MANHOLE (FOR SEWERS 8"-24")

TERMINAL MANHOLE

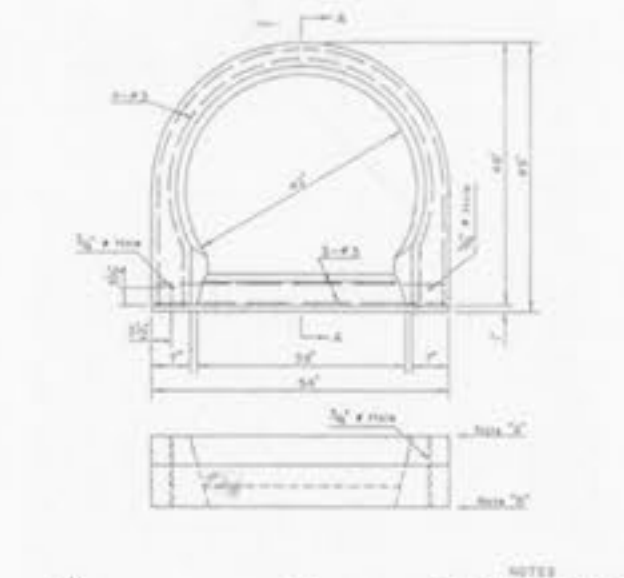


INSIDE DROP MANHOLE (SANITARY)

CLASS "C" BEDDING FOR REINFORCED CONCRETE PIPE

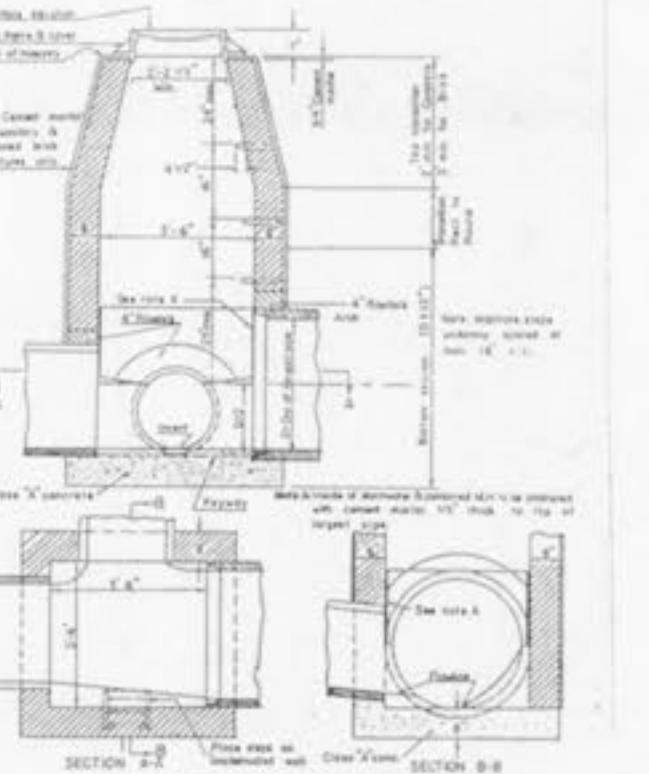


PRE-CAST CONCRETE UNIT FOR DOUBLE CURB INLET



PRE-CAST CONCRETE UNIT FOR SINGLE CURB INLET

LINE MANHOLE (FOR SEWERS 8"-24")

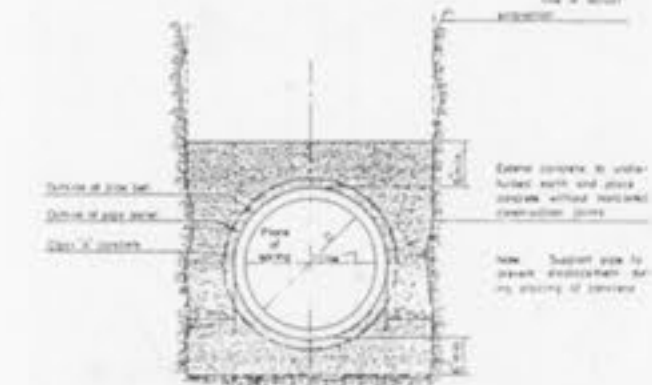


LINE MANHOLE (FOR SEWERS 27"-36")

STANDARD MANHOLE DIMENSIONS

Section of Manhole	Dimension
Top Transition	Upper 2'-2 1/2" Dia.
Lower	3'-0" Dia.
Bottom Section	27" Dia. Pipe 3'-0" Dia.
Bottom Section	36" Dia. Pipe 3'-0" Square

CONCRETE ENCASEMENT



- SANITARY SEWER NOTES**
1. Manhole Frame & Cover Shall Be: Clay & Bailey No. 200B, Neenah R-1736, Deeter 1315 or Approved Equal.
 2. All Manholes Shall Be Pre-Cast.
 3. All Manhole Tops Shall Be Adjusted To 0.20' Higher Than The Ground (Final Grade).

Details Adapted From The Metropolitan St. Louis Sewer District "Standard Construction Details For Sewers And Drainage Facilities." (1986)

CONCRETE DOUBLE CURB INLET W/ PRE-CAST TOP UNIT

LAKEVIEW

SEWER DETAILS

HALL, HALSEY & WIND
LAND PLANNING
CIVIL ENGINEERING
LANDSCAPE ARCHITECTURE

10820 SUNSET OFFICE DRIVE, SUITE 208, ST. LOUIS, MO 63127 • 314/966-5577

Drawn By	Checked By	Project Number	Sheet Number
VLB	DCW	86025	11 OF 22
Date	2/28/87		
Revisions	City 5-21-87		