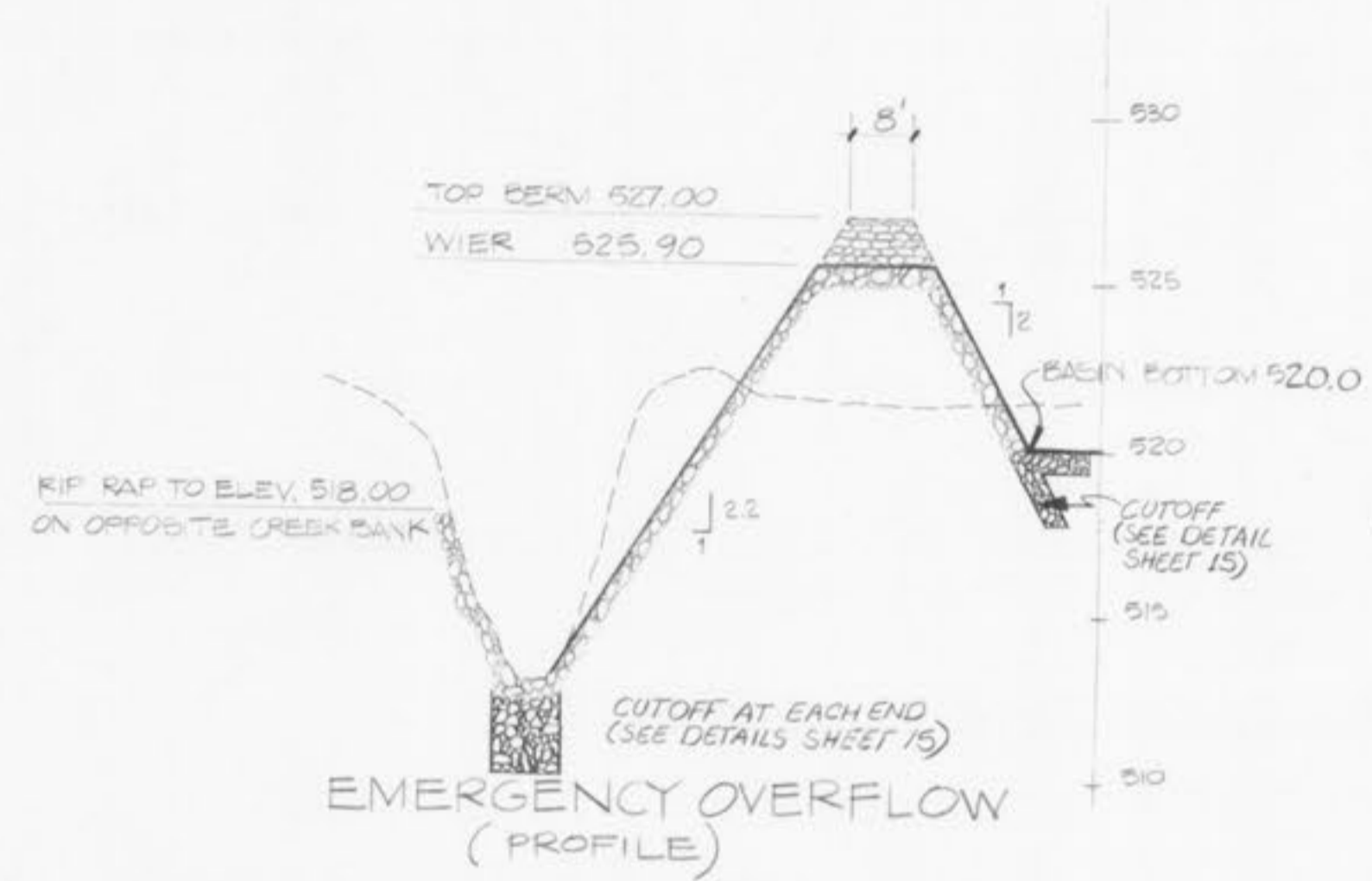


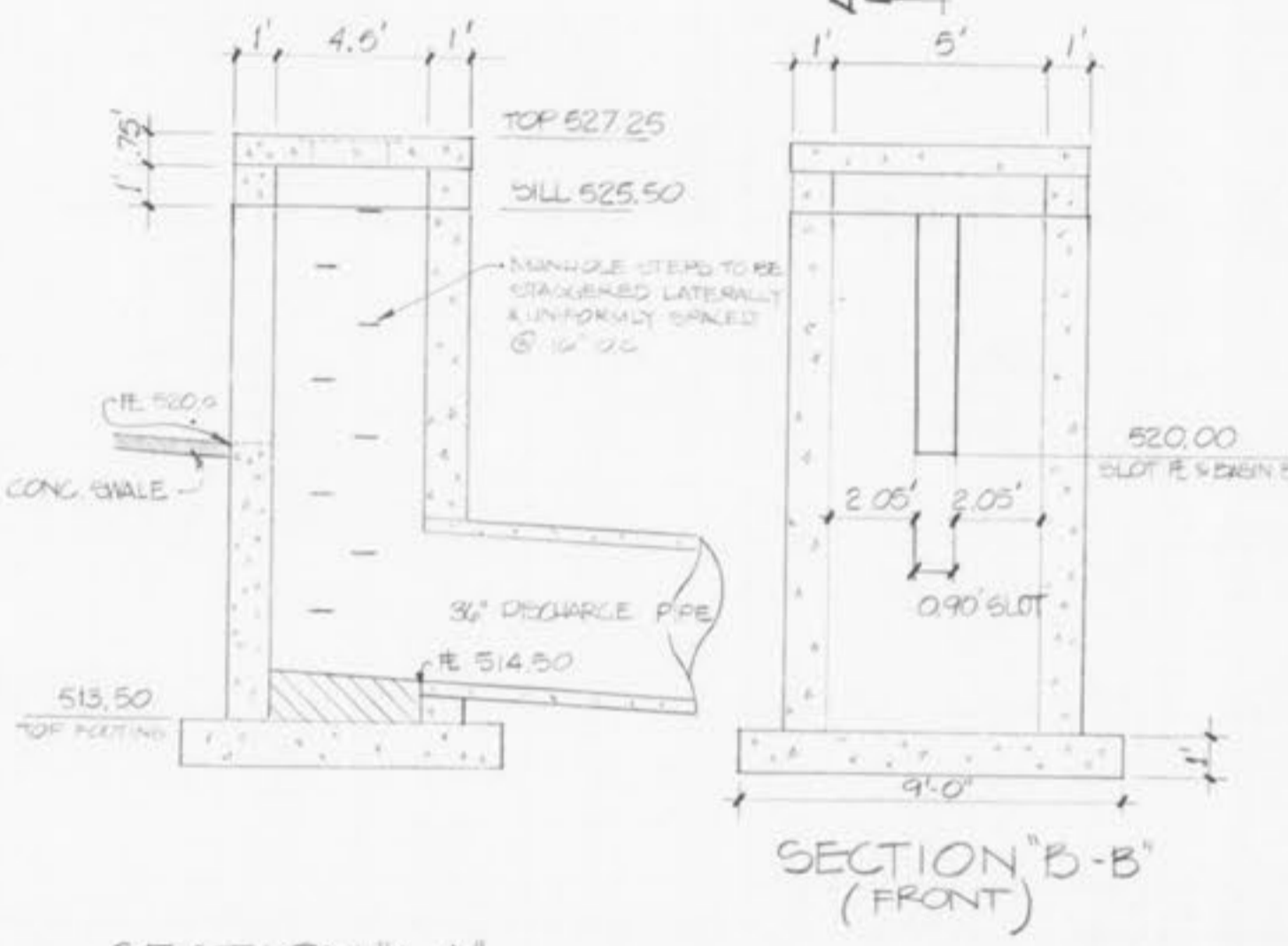
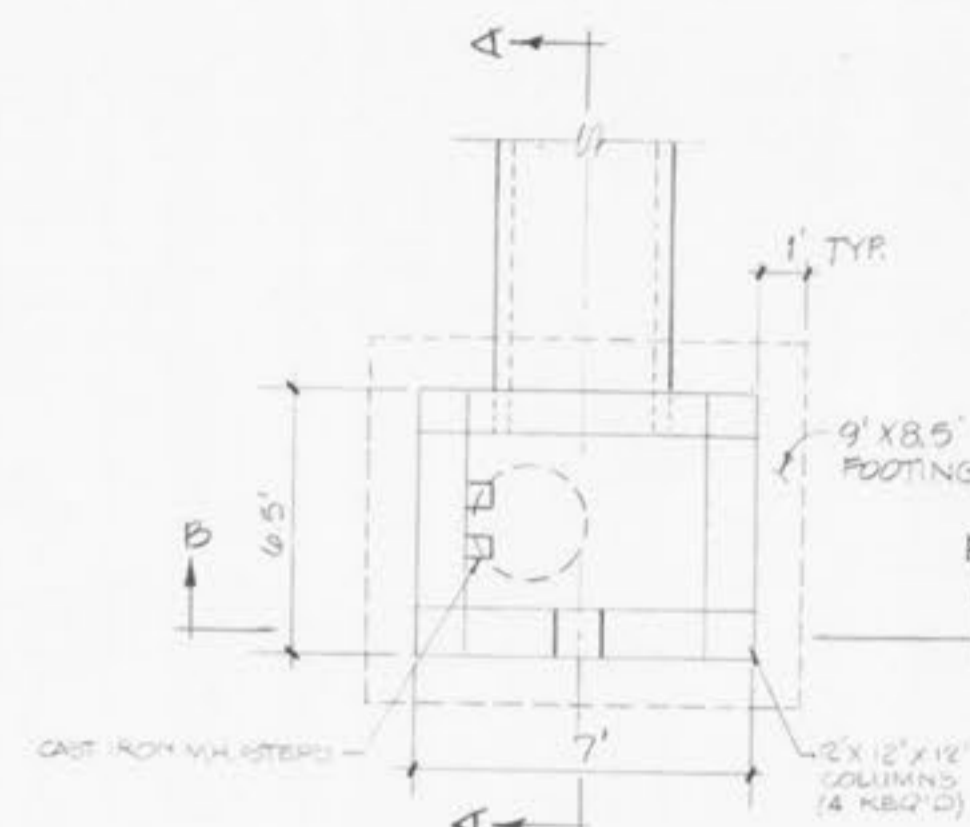
EMERGENCY OVERFLOW (SECTION)



EMERGENCY OVERFLOW (PROFILE)

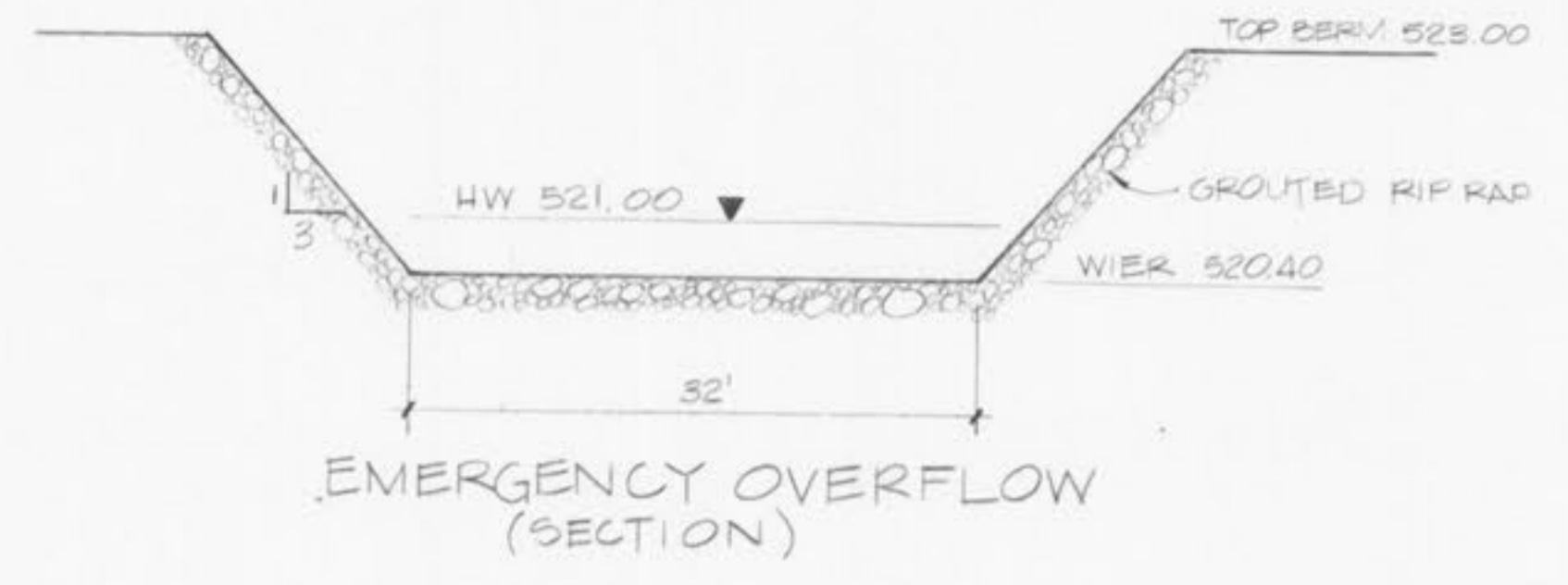
DETENTION BASIN # 1

PLAN VIEW

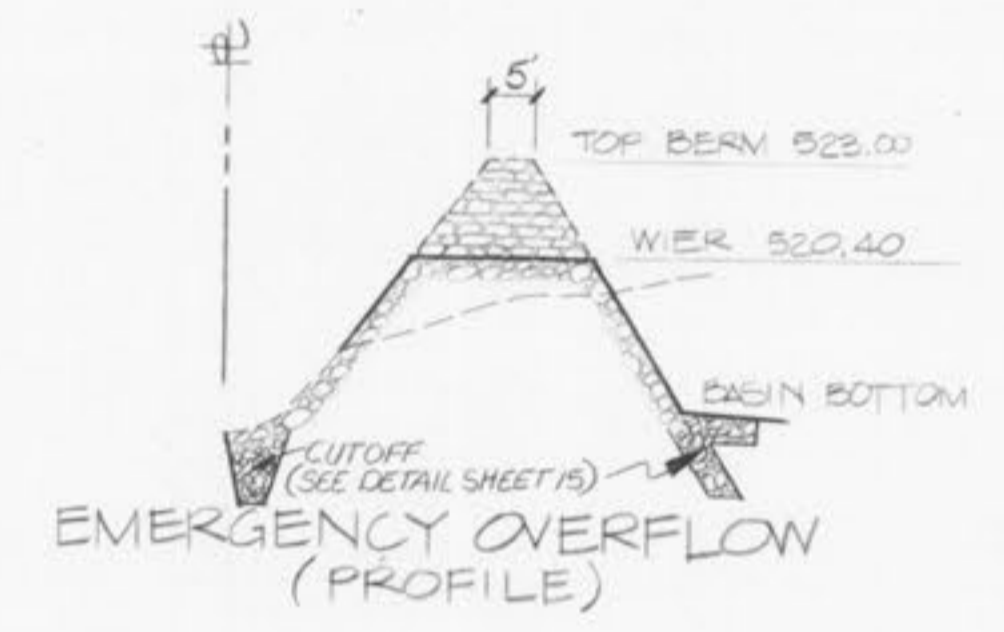


SECTION "A-A" (PROFILE)

SECTION "B-B" (FRONT)

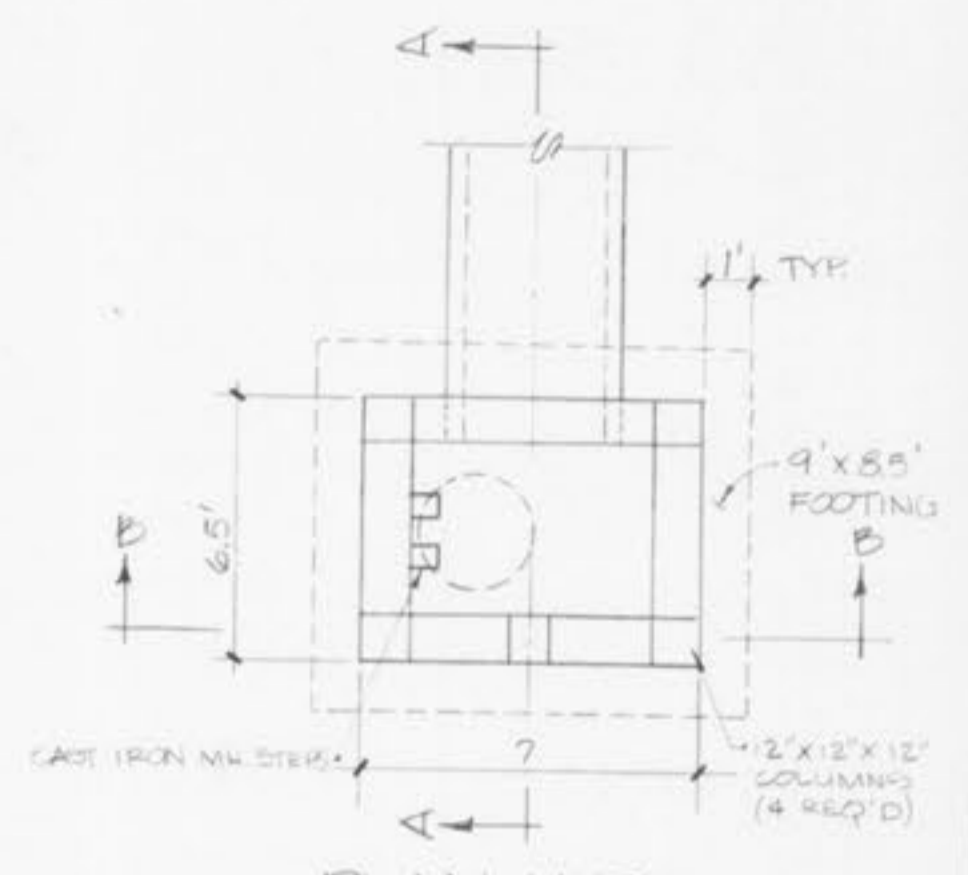


EMERGENCY OVERFLOW (SECTION)

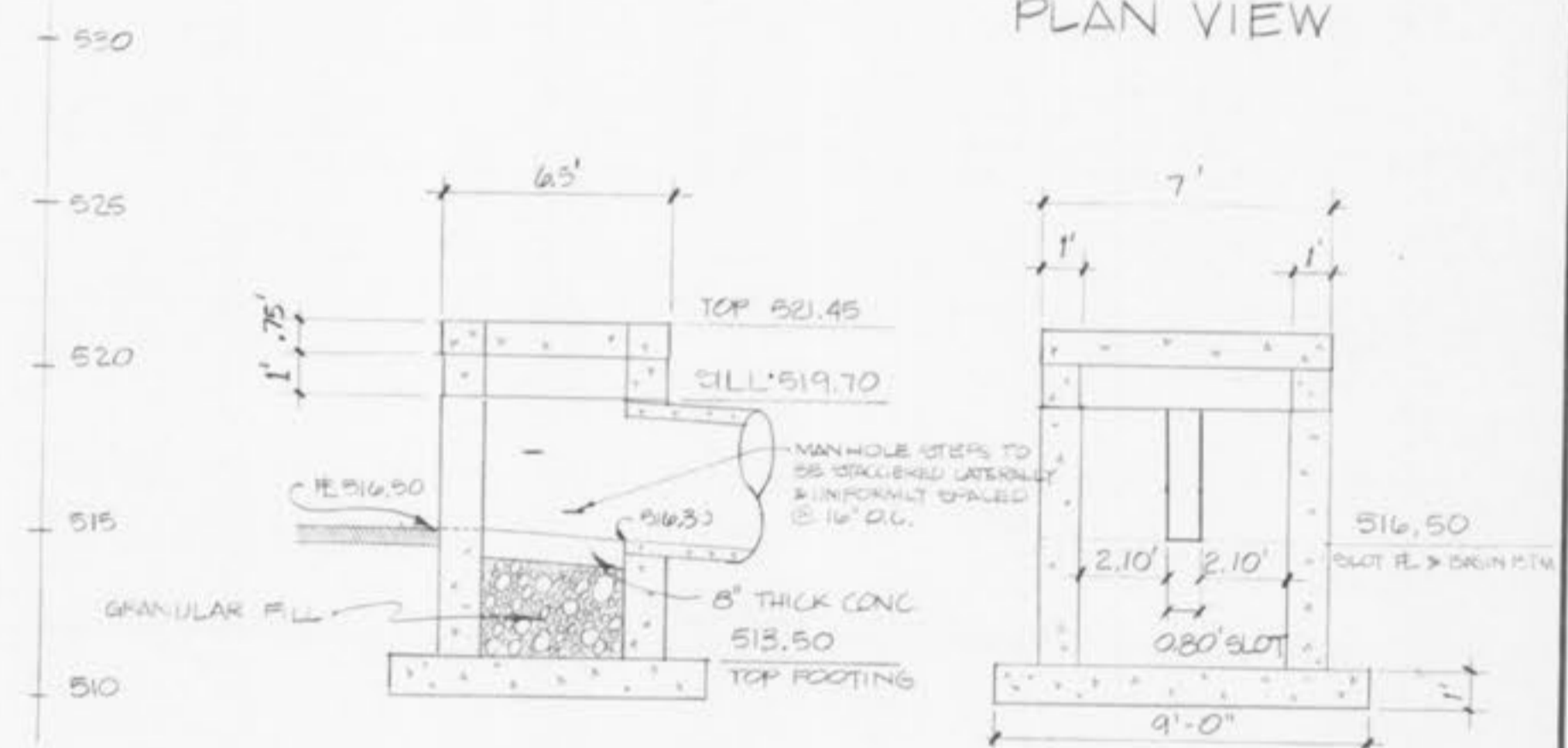


EMERGENCY OVERFLOW (PROFILE)

DETENTION BASIN # 2

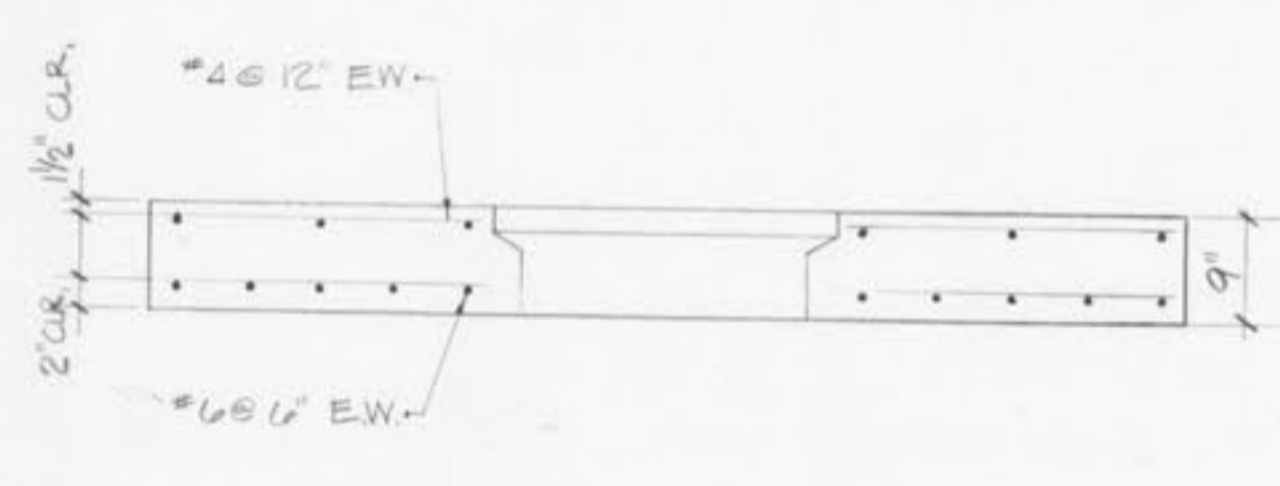


PLAN VIEW

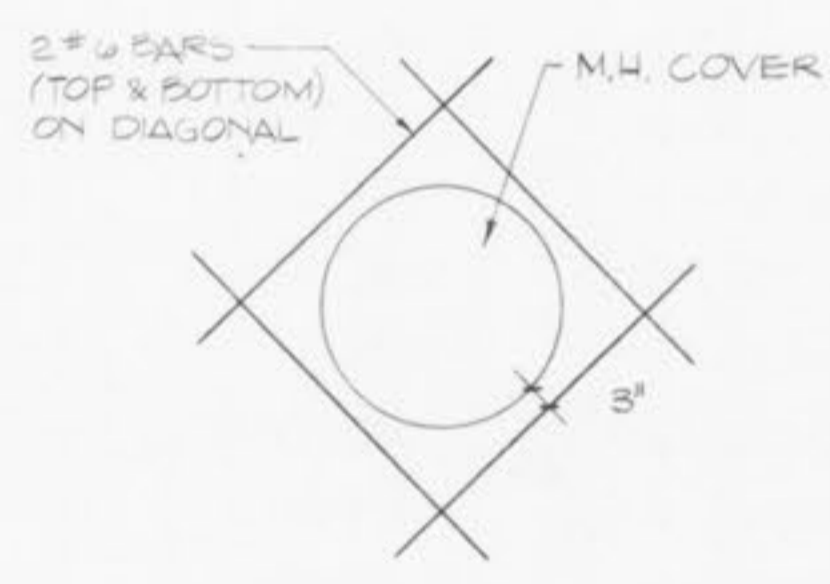


SECTION "A-A" (PROFILE)

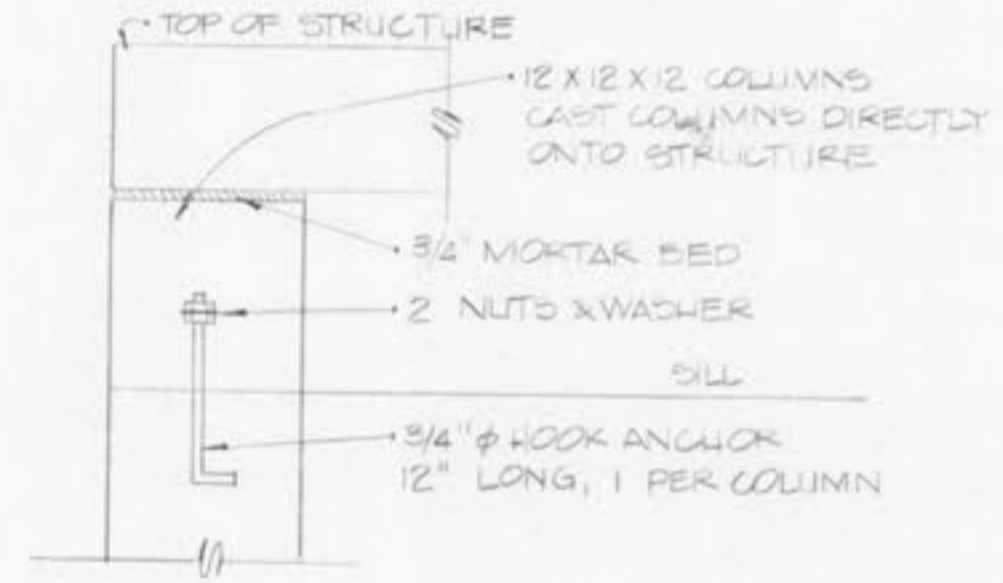
SECTION "B-B" (FRONT)



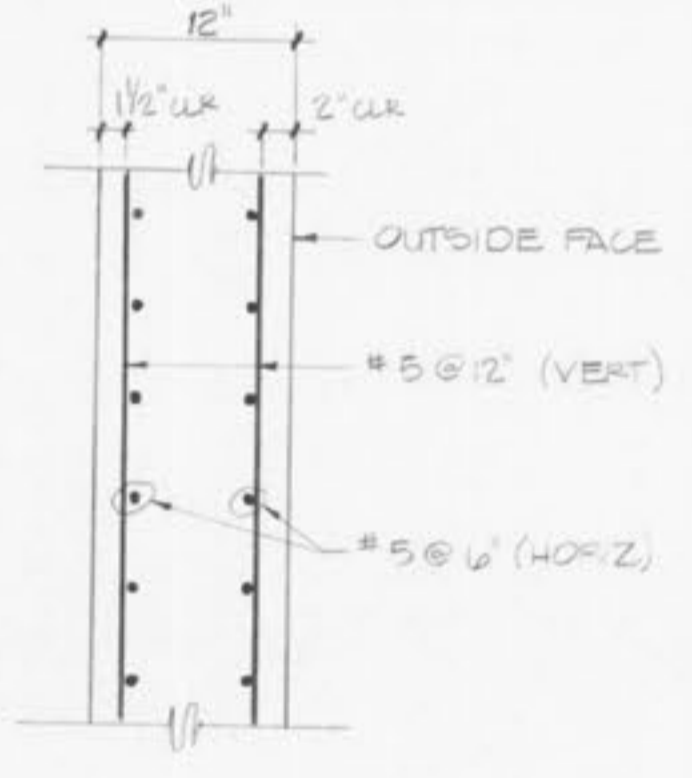
REINFORCING @ COVER SLAB



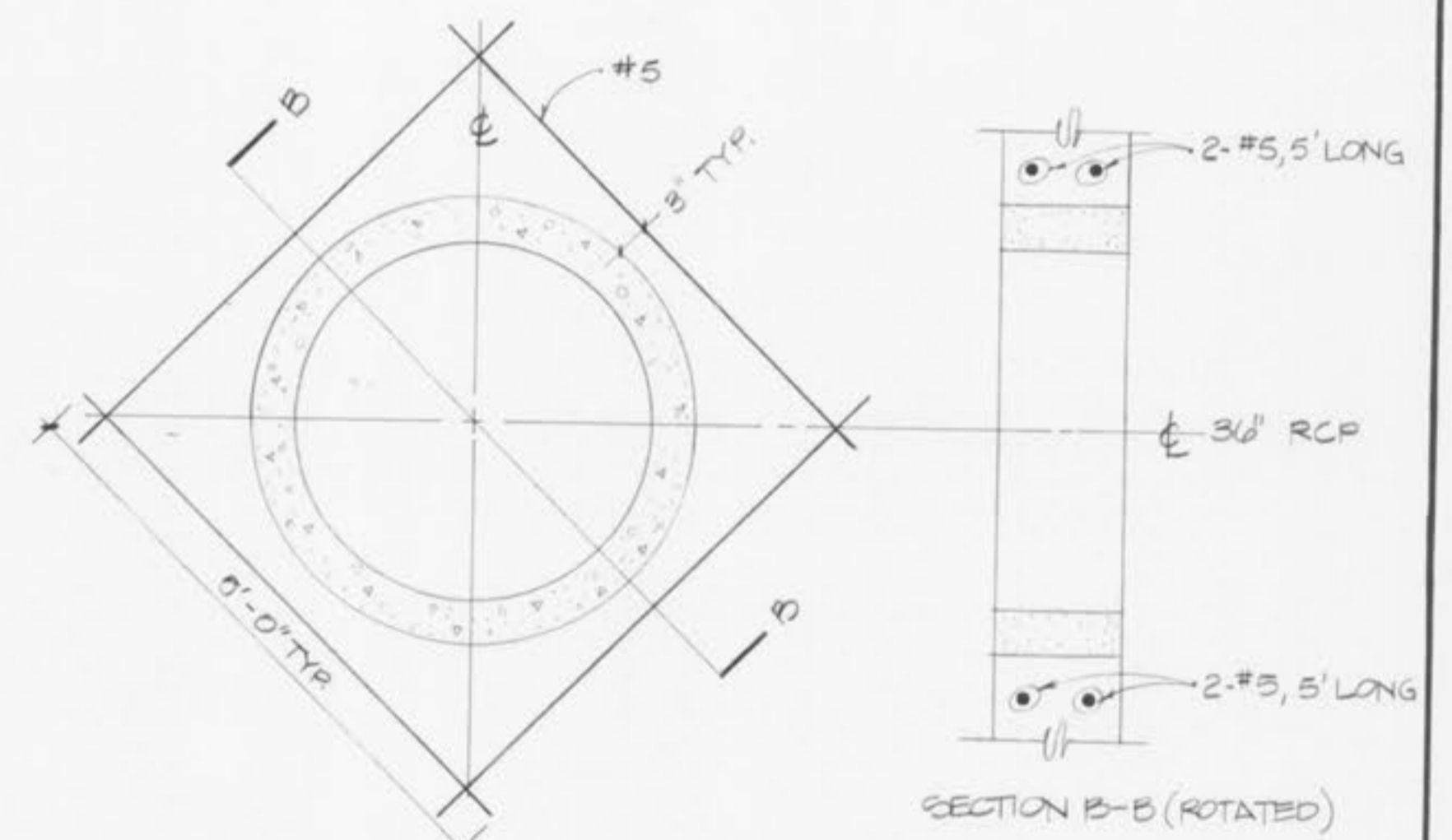
REINFORCING @ M.H. COVER



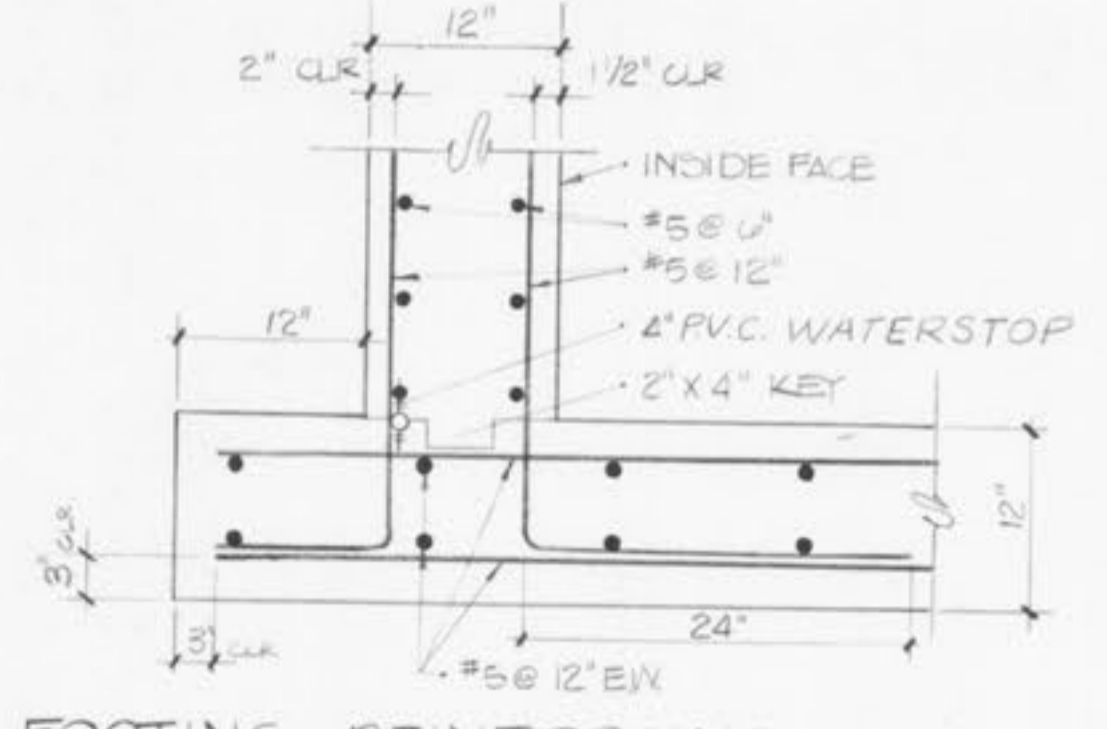
COLUMN CONNECTION DETAIL



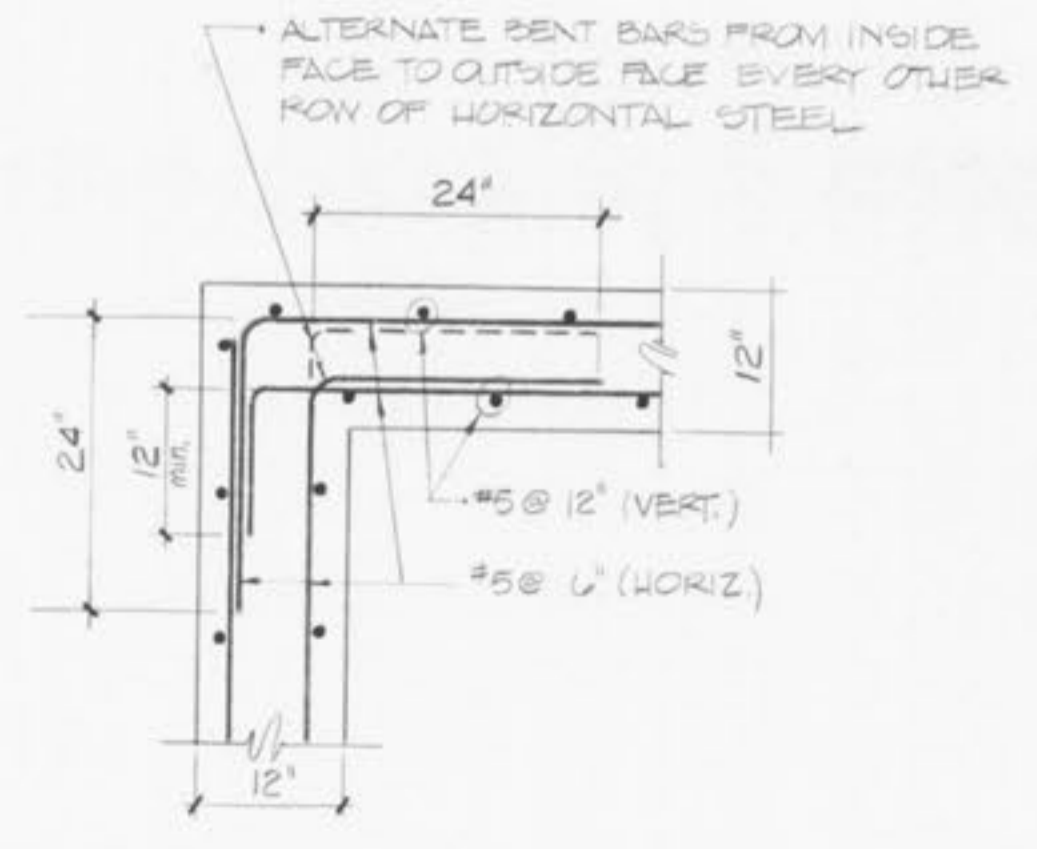
WALL REINFORCING



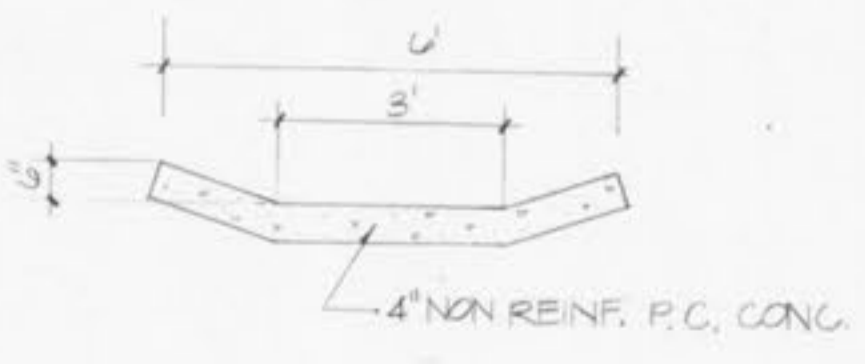
REINFORCING @ DISCHARGE PIPE



FOOTING REINFORCING



REINFORCING @ WALL CORNER



CONCRETE SWALE

REINFORCING DETAILS FOR BASIN STRUCTURES # 1 & # 2

SEE SHEETS 17, 18, & 19 FOR ADDITIONAL CALCULATIONS.

REINFORCING STEEL: GRADE 60
 CONCRETE: 3000 psi
 MIN. BAR LAP 24 BAR DIAMETERS

NOTE: DO NOT SCALE DRAWINGS.
 FOLLOW DIMENSIONS.

LAKEVIEW			
DETENTION STRUCTURE DETAILS			
		HALL, HALSEY & WIND	
LAND PLANNING CIVIL ENGINEERING LANDSCAPE ARCHITECTURE			
10820 SUNSET OFFICE DRIVE, SUITE 203, ST. LOUIS, MO 63127 • 314/966-5577			
Drawn By	Checked By	Project Number	Sheet Number
VLB	DCW	86025	16 OF 22
Date		Revisions	
2/28/87		City 5-21-87	