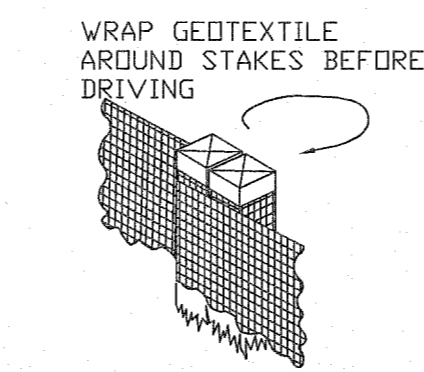
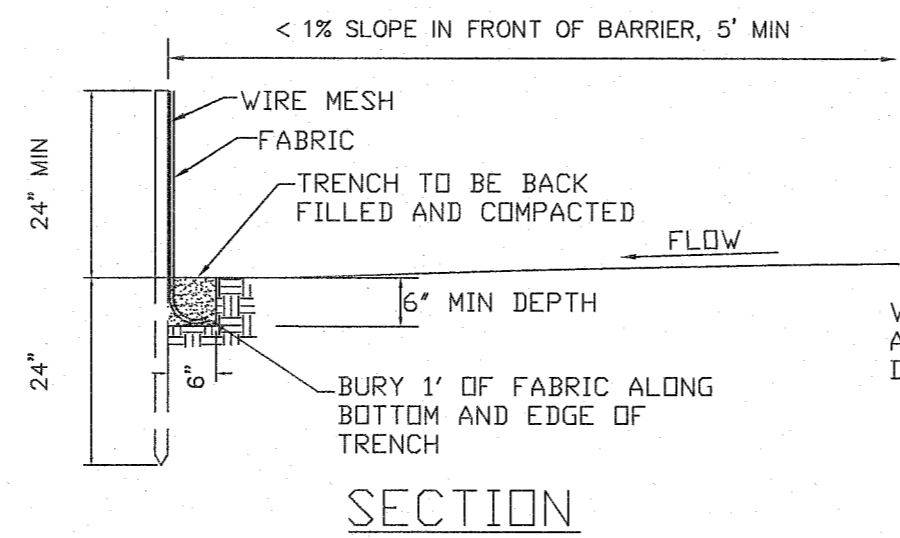
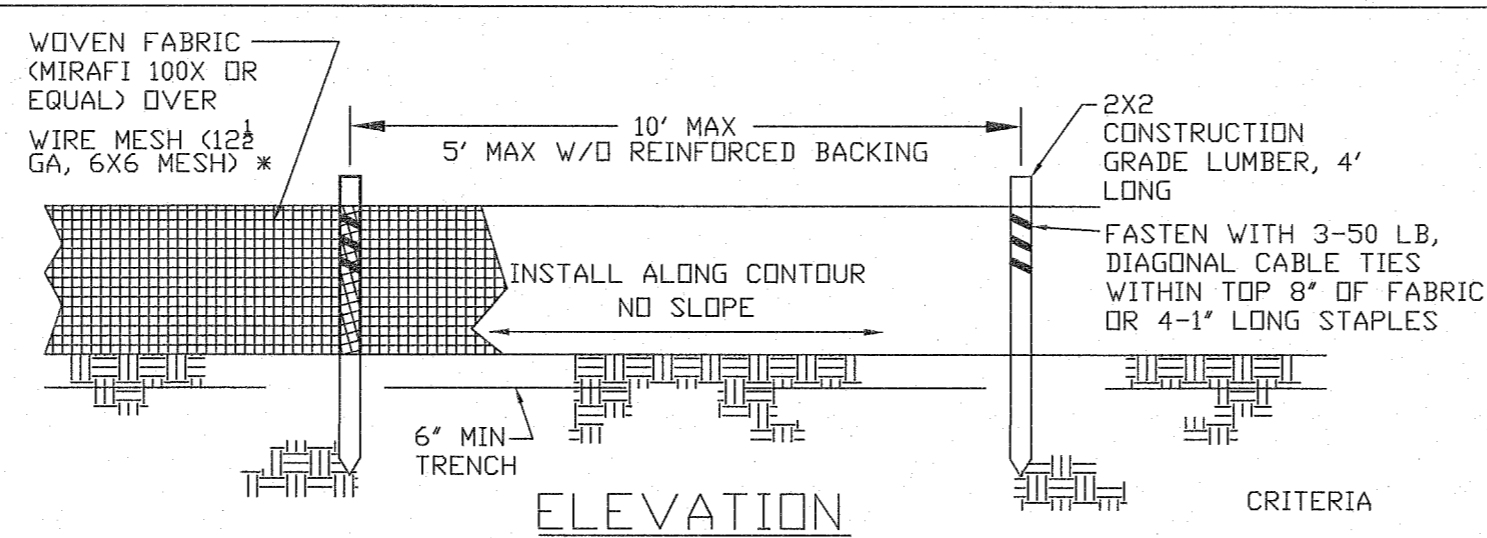


- DESIGN CRITERIA**
- SILT FENCE FOR SHEET FLOW SHALL HAVE A MAXIMUM DRAINAGE AREA OF 1/4 ACRE PER 100 LF.
 - STRAW BALE BARRIERS FOR SHEET FLOW SHALL HAVE A MAXIMUM DRAINAGE AREA OF 1/4 ACRE PER 100 LF.
 - REFER TO INDIVIDUAL ESC FIGURE FOR INSTALLATION.
 - TERRACING INCLUDES LOGS, WATTLES & FILTER SOCKS.

CITY OF O'FALLON
ENGINEERING DEPARTMENT
O'FALLON, MISSOURI

**SPACING CHART
FOR ESC DEVICES**



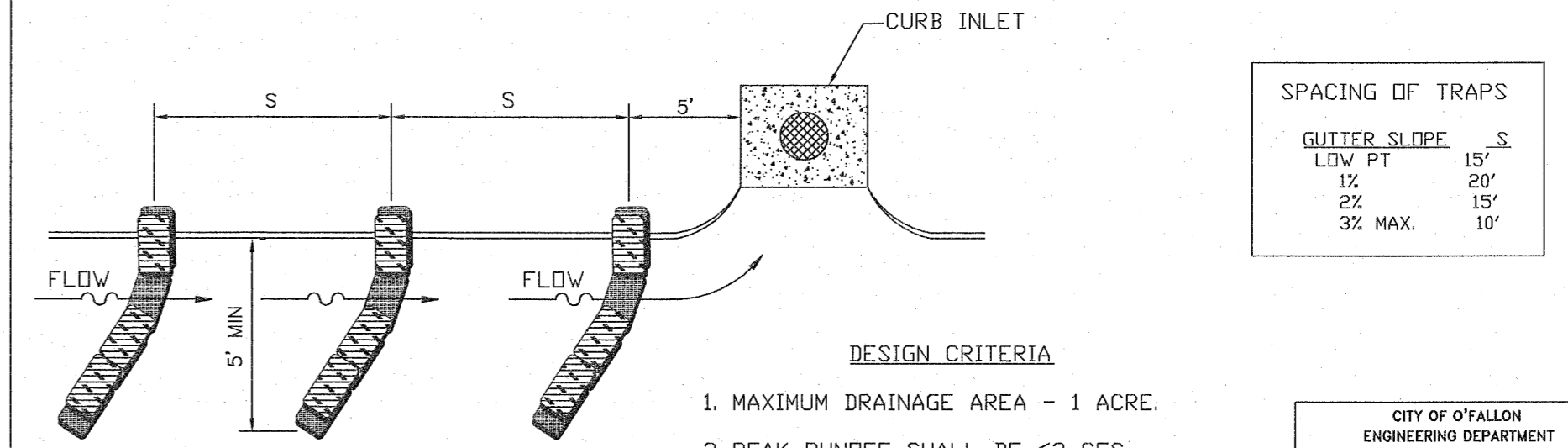
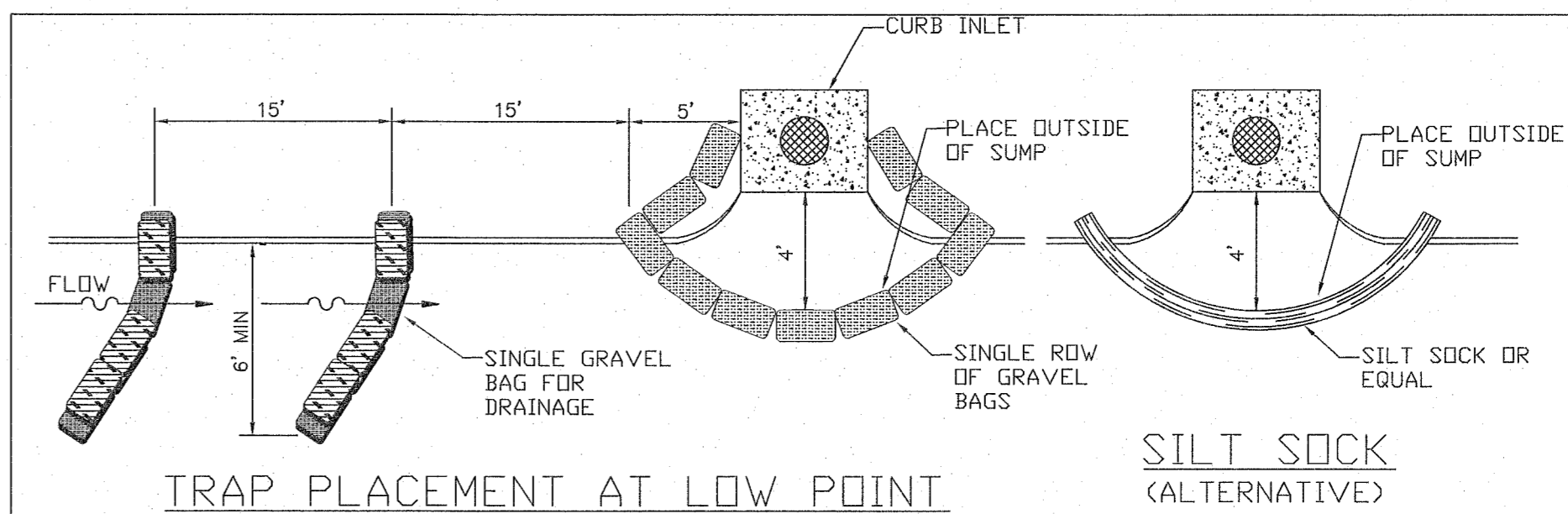
NOTE: IF FABRIC IS INSTALLED BY EQUIPMENT DESIGNED TO SLICE INTO THE GROUND, THE TRENCH IS NOT REQ'D.

**JOINING SECTIONS OF
SILT FENCE**

- CRITERIA**
- SILT FENCE SHALL BE 24 INCHES HIGH.
 - SILT FENCE SHALL NOT BE USED FOR CONCENTRATED FLOWS.
 - GEOSYNTHETIC REINFORCED SILT FENCE BACKING MAY BE USED IN LIEU OF WIRE MESH.
 - WIRE MESH WILL BE USED AT LOCATIONS SHOWN ON THE APPROVED SWPPP.

CITY OF O'FALLON
ENGINEERING DEPARTMENT
O'FALLON, MISSOURI

**SILT FENCE INSTALLATION
SHEET FLOW (ONLY)**



**SILT SOCK
(ALTERNATIVE)**

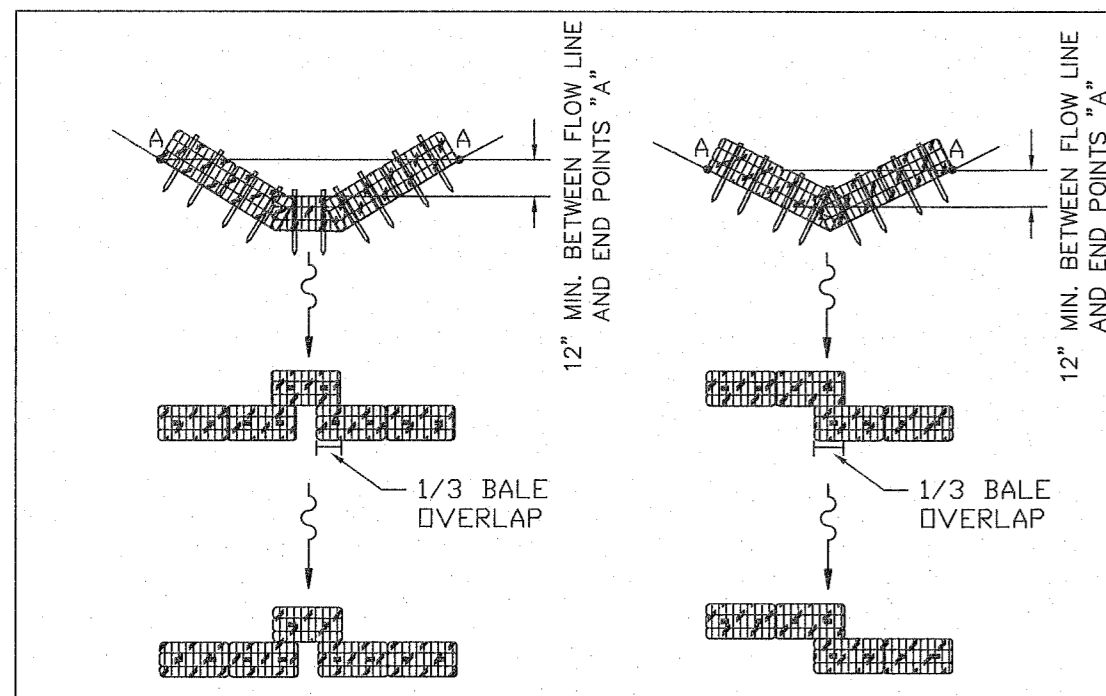
SPACING OF TRAPS

GUTTER SLOPE	S
1% - 15%	15'
1% - 2%	20'
2% - 3% MAX.	15'
	10'

- DESIGN CRITERIA**
- MAXIMUM DRAINAGE AREA - 1 ACRE.
 - PEAK RUNOFF SHALL BE 52 CFS BASED ON THE 6-MONTH STORM.
 - STACK GRAVEL BAGS DOUBLE HIGH. PROVIDE GAP FOR DRAINAGE.

CITY OF O'FALLON
ENGINEERING DEPARTMENT
O'FALLON, MISSOURI

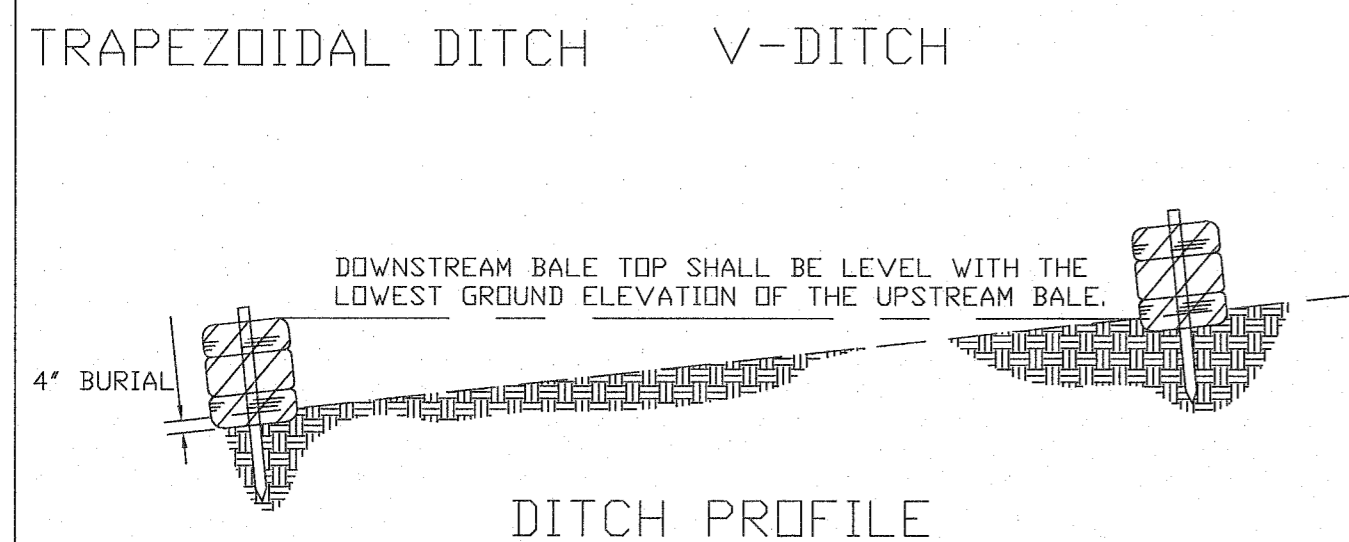
**CURB INLET
PROTECTION**



- CRITERIA FOR LOW CONCENTRATED FLOWS**
- DRAINAGE AREAS SHALL BE LESS THAN 1 ACRE.
 - INSTALL TWO STAKES PER BALE.
 - BALES WILL BE TRENCHED 4\"/>

CHECK DAM SPACING

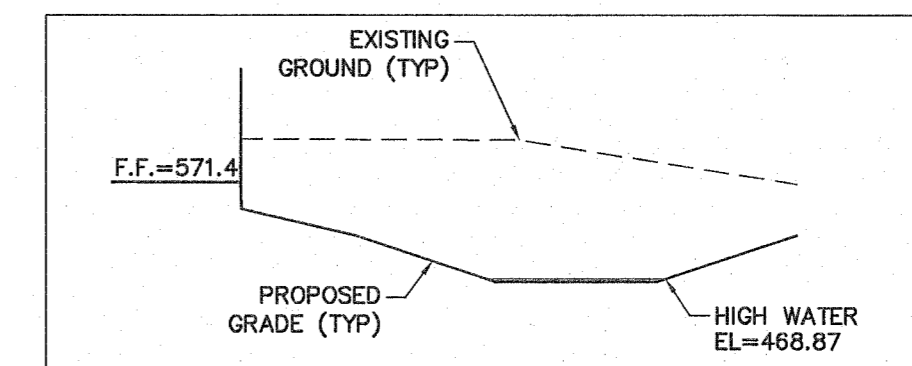
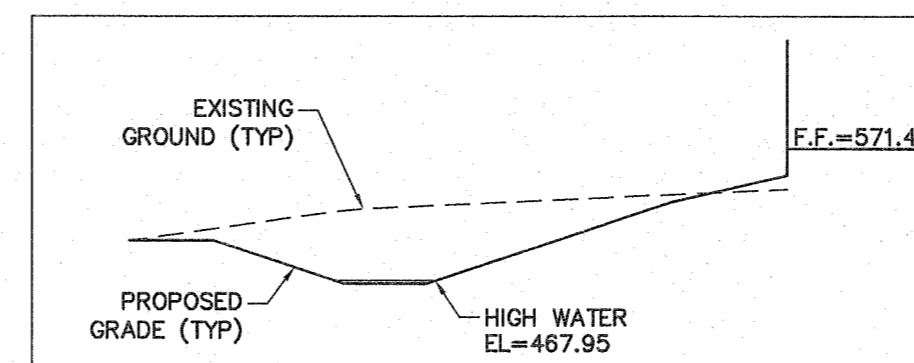
Ditch Slope	Maximum Spacing
3%	50'
2%	75'



CITY OF O'FALLON
ENGINEERING DEPARTMENT
O'FALLON, MISSOURI

**STRAW BALE
CHECK DAM**

REFERENCE DRAWINGS ENGINEERS SEAL
DOES NOT APPLY TO DETAILS IN THIS AREA



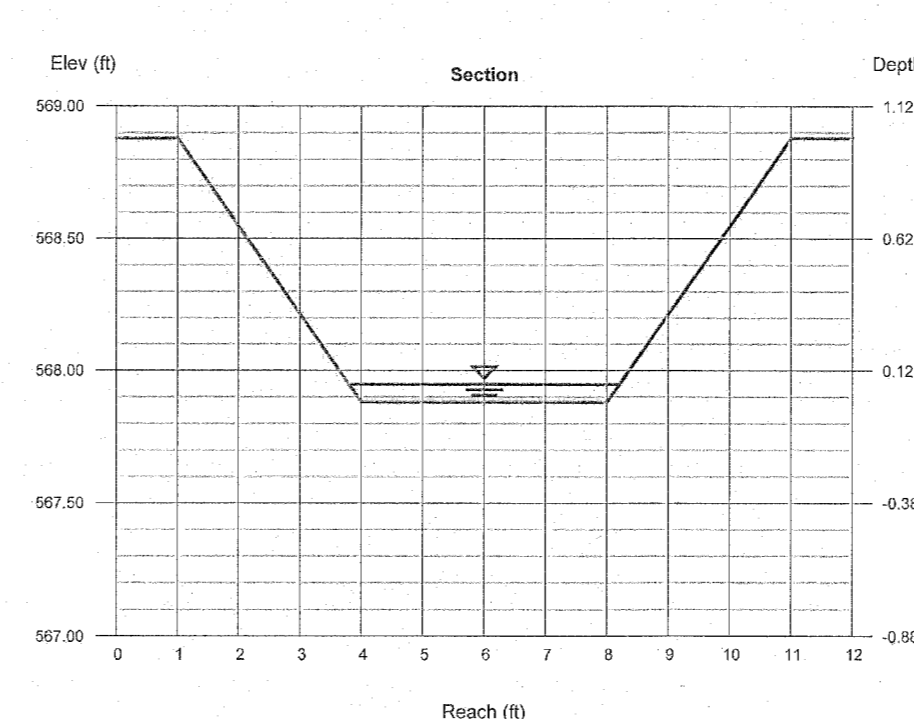
Channel Report

HydroSoft Express Extension for Autodesk AutoCAD Civil 3D by Autodesk, Inc. Thursday, May 24 2018

<Name>

Trapezoidal Bottom Width (ft)	= 4.00	Highlighted Depth (ft)	= 0.07
Side Slopes (z:1)	= 3.00, 3.00	Q (cfs)	= 0.260
Total Depth (ft)	= 1.00	Area (sqft)	= 0.29
Invert Elev (ft)	= 567.88	Velocity (ft/s)	= 0.88
Slope (%)	= 2.00	Wetted Perim (ft)	= 4.44
N-Value	= 0.035	Crit Depth, Yc (ft)	= 0.06
		Top Width (ft)	= 4.42
		EGL (ft)	= 0.08

Calculations
Compute by: Known Q (cfs) = 0.26



**SECTION A-A
NOT TO SCALE**

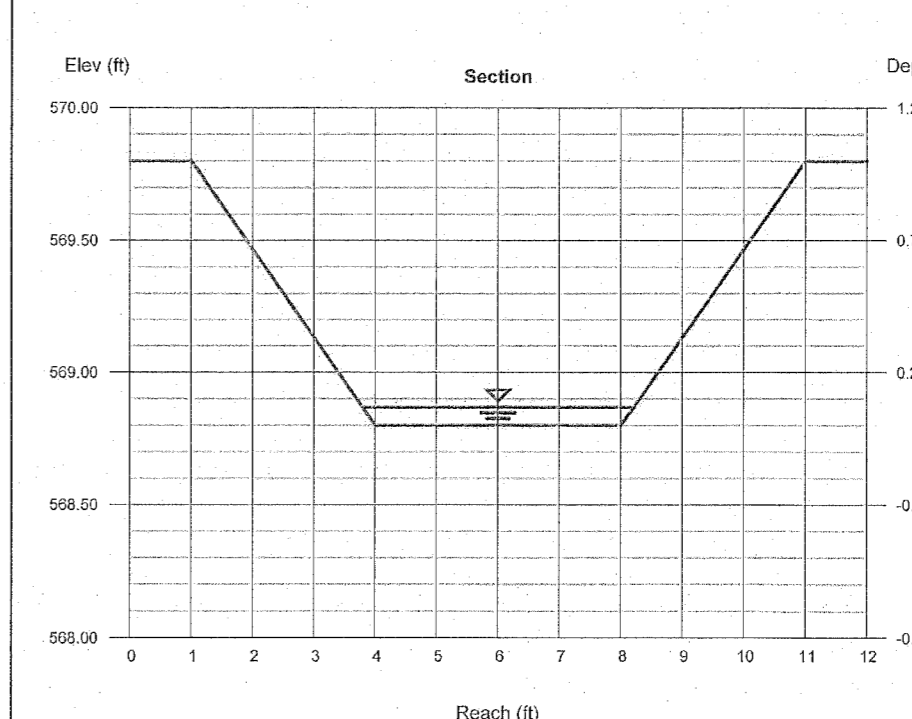
Channel Report

HydroSoft Express Extension for Autodesk AutoCAD Civil 3D by Autodesk, Inc. Thursday, May 24 2018

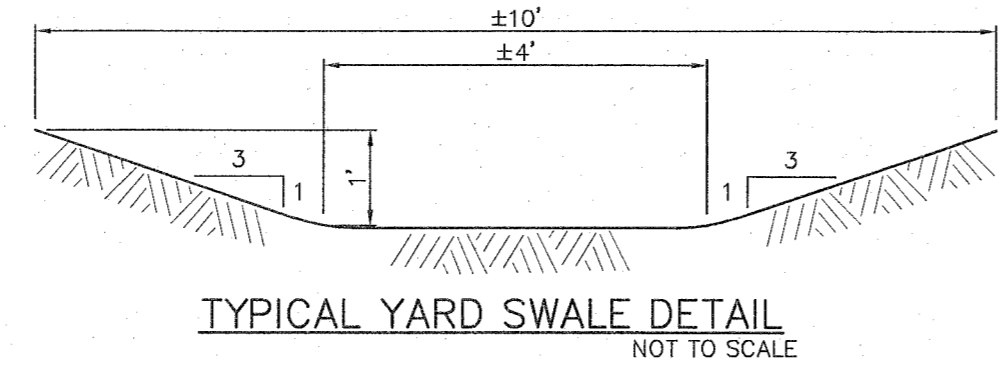
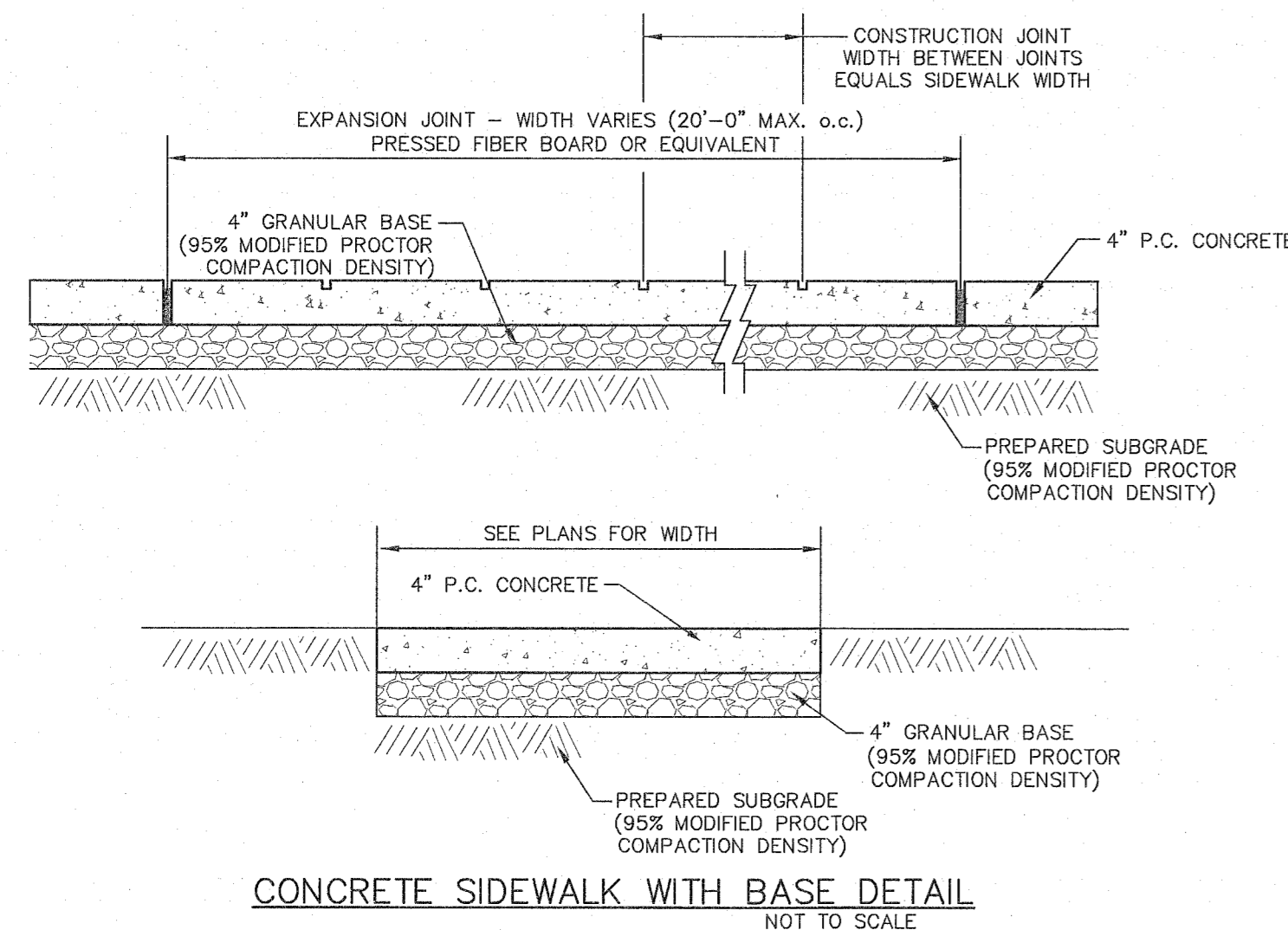
<Name>

Trapezoidal Bottom Width (ft)	= 4.00	Highlighted Depth (ft)	= 0.07
Side Slopes (z:1)	= 3.00, 3.00	Q (cfs)	= 0.274
Total Depth (ft)	= 1.00	Area (sqft)	= 0.29
Invert Elev (ft)	= 568.80	Velocity (ft/s)	= 0.93
Slope (%)	= 2.00	Wetted Perim (ft)	= 4.44
N-Value	= 0.035	Crit Depth, Yc (ft)	= 0.06
		Top Width (ft)	= 4.42
		EGL (ft)	= 0.08

Calculations
Compute by: Known Q (cfs) = 0.27



**SECTION B-B
NOT TO SCALE**



PROJECT TITLE:
LAURA CROSSING

31 Laura Drive
City of O'Fallon,
St. Charles County,
Missouri 63366

Box Project # 17-1743 Issue Date: 04/25/2018

**ENGINEERING
DRAWING
SURVEYING**

281 Point West Blvd.
St. Charles, MO 63301
636-929-5502
FAX 636-929-1718

DISCLAIMER OF RESPONSIBILITY
I hereby specify that the documents intended to be authenticated by my seal are limited to this sheet, and I hereby disclaim any responsibility for all other drawings, specifications, estimates, reports or other documents or instruments relating to or intended to be used for any part or parts of the architectural or engineering project or survey.

Clifford L. Heitmann
Civil Engineer
E29817
Box Engineering Company, Inc.
Missouri State Certificate of Authority
Engineering #000655

REVISIONS

DATE	DESCRIPTION
05/23/18	PER CITY COMMENTS

Developer / Owner:
HABITAT FOR HUMANITY OF ST. CHARLES COUNTY
2041 TRADE CENTER DRIVE
ST. PETERS, MISSOURI 63376
636-978-5712

DETAILS

P+Z No. 17-007172

Approval Date: 09/07/2017

Page No. 6 of 6

DATE: 04/25/2018
 DRAWN BY: JMM
 CHECKED BY: JMM
 PROJECT: 17-1743 - LAURA CROSSING