

HUNTCO SUPPLY, LLC
 HUNTCO SUPPLY, LLC
 P.O. BOX 10385
 PORTLAND, OREGON 97296-0385
 1-800-547-5909
 PHONE: (503) 224-8700
 FAX: (503) 274-2055
 www.huntco.com

SELECT DESIRED BIKE RACK

SINGLE FACE				
MODEL	CAPACITY	LENGTH	HEIGHT	WIDTH
VS7	7	10'(3048MM)	38'(965MM)	20'(508MM)
VS11	11	15'(4572MM)	38'(965MM)	20'(508MM)

DOUBLE FACE				
MODEL	CAPACITY	LENGTH	HEIGHT	WIDTH
VS88	8	5'(1524MM)	38'(965MM)	42'(1524MM)
VS18	18	10'(3048MM)	38'(965MM)	42'(1524MM)
VS35	36	20'(6096MM)	38'(965MM)	42'(1524MM)

SELECT DESIRED FINISH

- HOT-DIPPED GALVANIZED
- POWDER COAT FINISH (SELECT COLOR)
- THERMO PLASTIC COATING (SELECT COLOR)
- STAINLESS STEEL

SELECT DESIRED POWDER COAT FINISH COLOR

- POSTAL BLUE-RAL 5022
- SKY BLUE-RAL 5010
- FOREST GREEN-RAL 6005
- YELLOW-RAL 1018
- BRIGHT RED-RAL 3001
- MAROON-RAL 3007
- GLOSS BLACK-RAL 9004
- SKY WHITE-RAL 9001
- TAN-RAL 8001
- BRONZE-RAL 8014
- CUSTOM

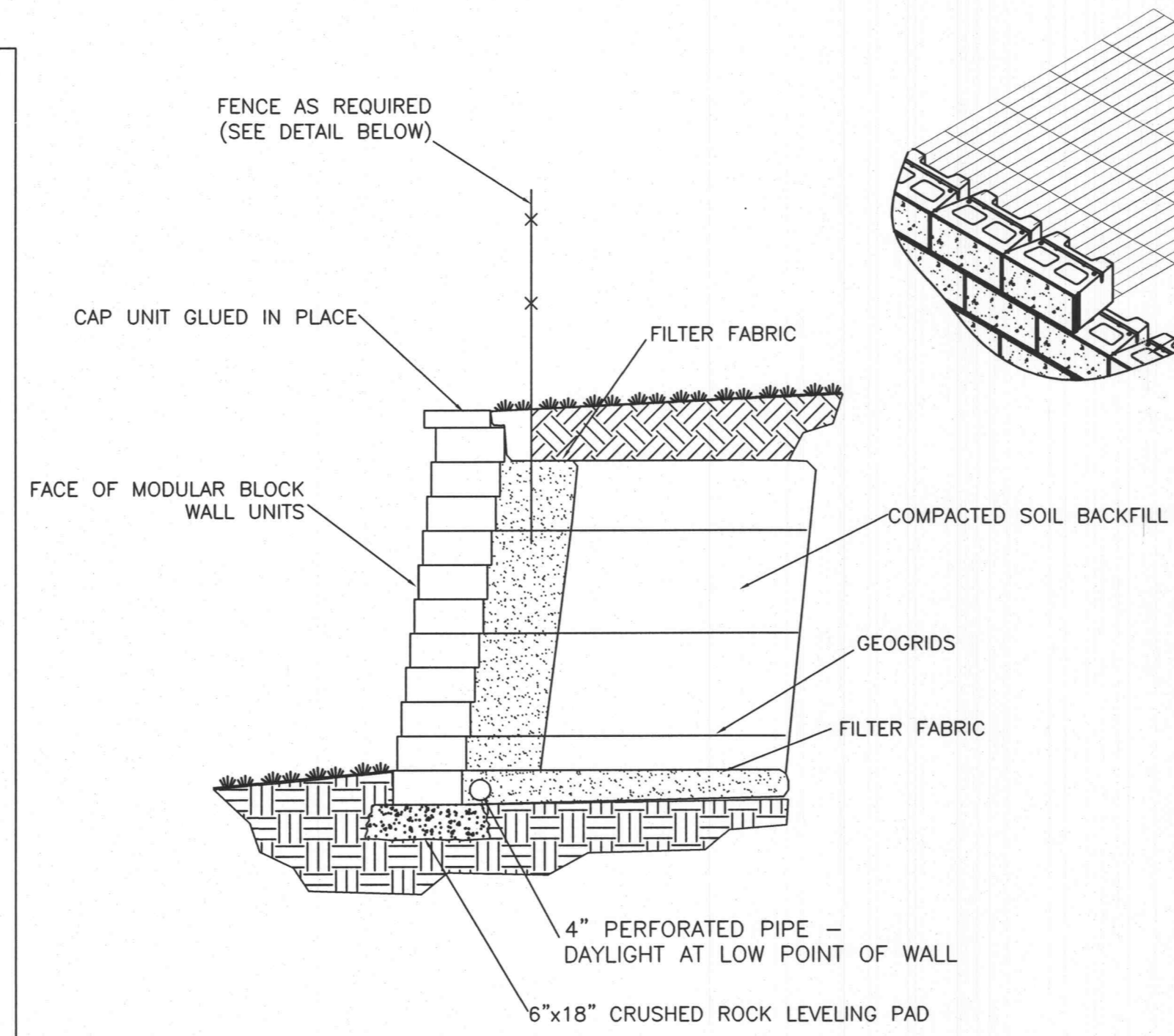
SELECT DESIRED THERMO PLASTIC COATING COLOR

- BLACK
- DARK GRAY
- LIGHT GRAY
- ROYAL BLUE
- SKY BLUE
- RED
- YELLOW
- WHITE
- DARK BROWN
- HUNTER GREEN
- CUSTOM

NOTES:
 1. INSTALLATION TO BE COMPLETED IN ACCORDANCE WITH MANUFACTURER'S SPECIFICATIONS.
 2. DO NOT SCALE DRAWINGS.
 3. CONTRACTORS NOTE: FOR PRODUCT AND PURCHASING INFORMATION VISIT www.PROJECTmarketsite.com REFERENCE NUMBER 096-008.

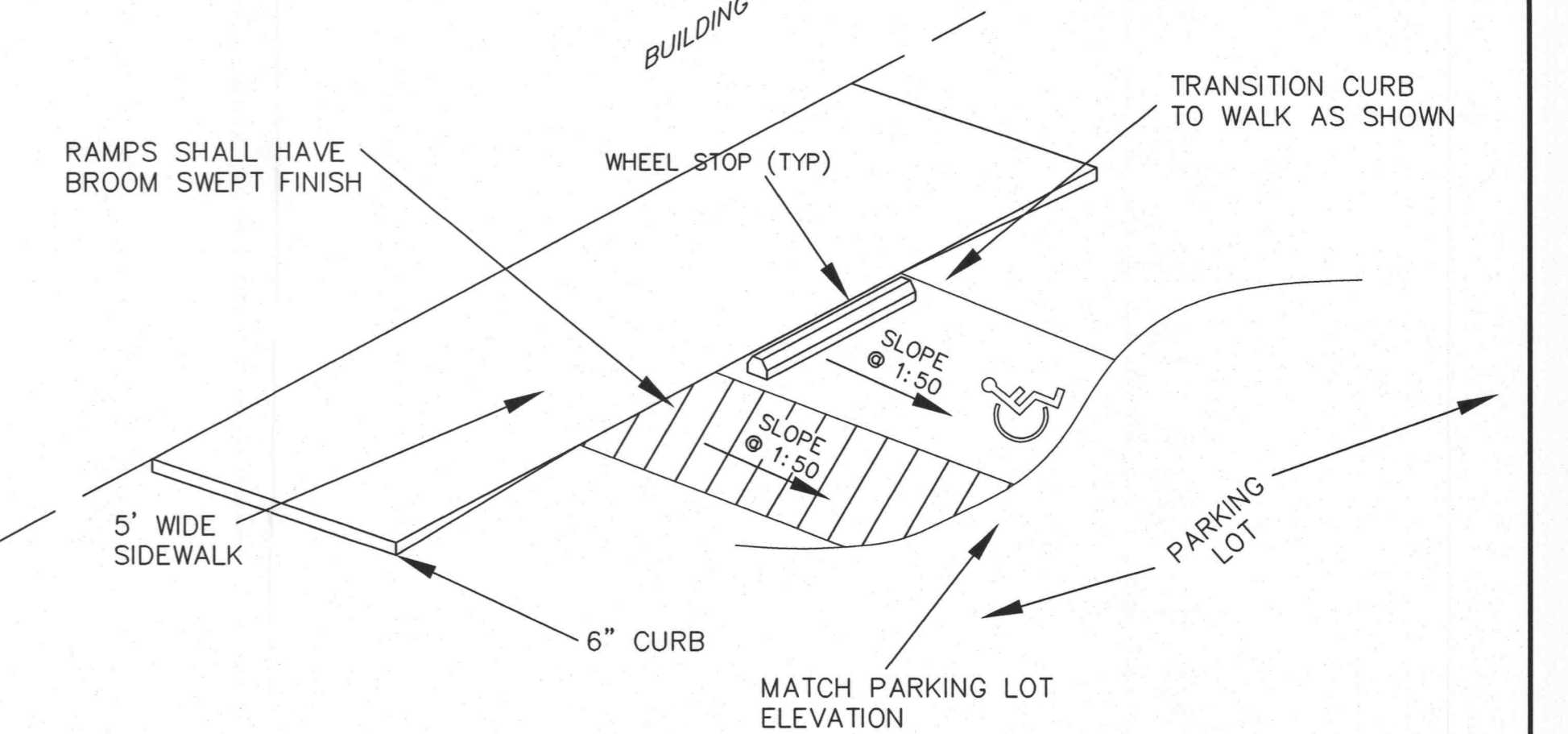
OLD SCHOOL BIKE RACKS
 VERTICAL SERIES - SINGLE AND DOUBLE FACE

PROTECTED BY COPYRIGHT - 096-008 01/25/03 www.caddetails.com

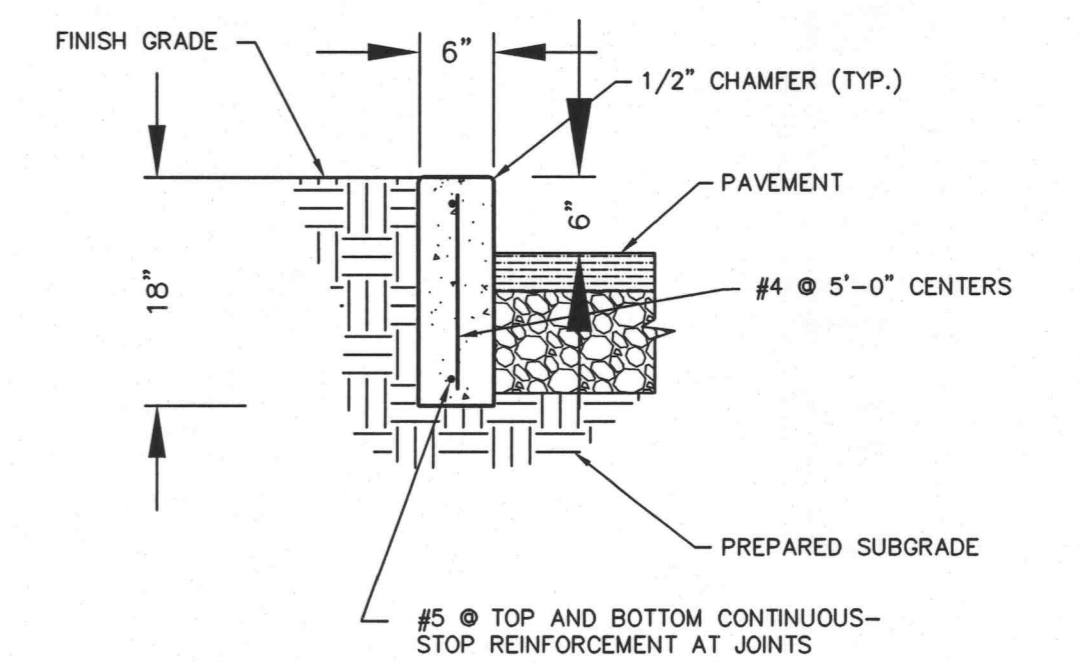


TYPICAL RETAINING WALL SECTION
 REFER TO SITE PLAN FOR WALL HEIGHTS AND LENGTHS
 NOT TO SCALE

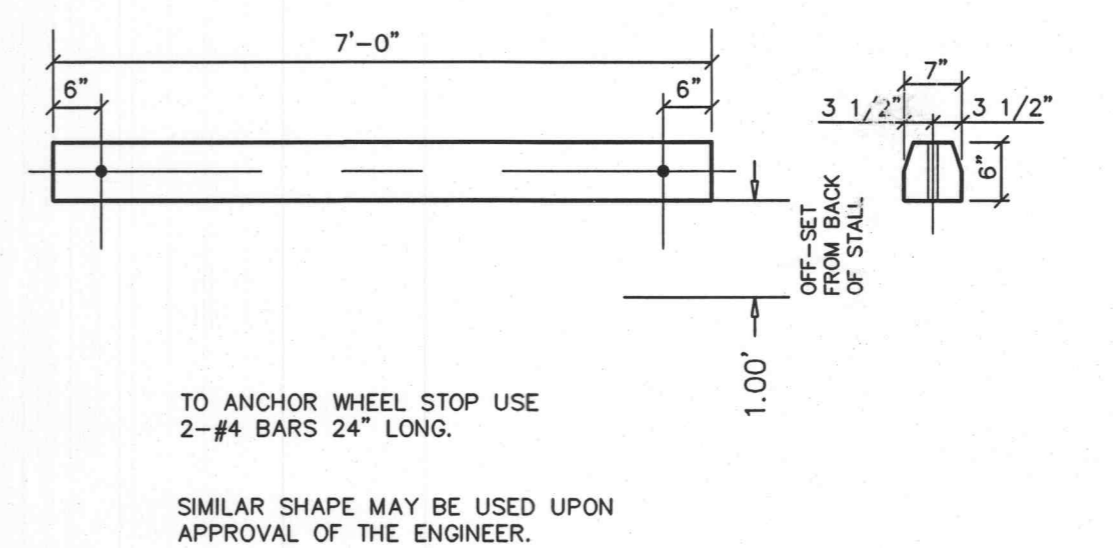
- SEGMENTAL BLOCK RETAINING WALL NOTES:**
- WHERE SEGMENTAL BLOCK RETAINING WALLS ARE SHOWN ON THE PLANS AND PROFILES, THESE ARE PROVIDED TO THE CONTRACTOR ONLY TO ESTABLISH ALIGNMENTS AND GRADES FOR THE WALLS. THEY ARE NOT INTENDED BY ZAVRADINOS PROFESSIONAL SERVICES, INC., TO ESTABLISH EXACT QUANTITIES. THE CONTRACTOR SHALL BE RESPONSIBLE FOR THE FINAL QUANTITIES OF MATERIALS NECESSARY TO PROVIDE THE WALLS TO FIT THE ACTUAL SITE CONDITIONS.
 - THE CONTRACTOR SHALL PROVIDE SHOP DRAWINGS AND CALCULATIONS, SIGNED AND SEALED BY A REGISTERED PROFESSIONAL ENGINEER, TO ZAVRADINOS PROFESSIONAL SERVICES, INC., FOR REVIEW AND APPROVAL PRIOR TO SUBMITTAL TO THE APPROPRIATE REVIEW AGENCY FOR THE REQUIRED BUILDING PERMITS.
 - THE CONTRACTOR SHALL PROVIDE A SEGMENTAL RETAINING WALL WITH RED OR GRAY COLOR OPTIONS. ACCEPTABLE MANUFACTURERS ARE KEYSTONE, VERSA-LOK, ROCKWOOD, OR EQUIVALENT. PRIOR TO COMMENCEMENT OF THE CONSTRUCTION OF THE WALLS, THE PROJECT OWNER SHALL REVIEW AND APPROVE THE TYPE OF BLOCK AND BLOCK COLOR.
 - ZAVRADINOS PROFESSIONAL SERVICES, INC., ASSUMES NO LIABILITY FOR THE CONTRACTOR'S CONSTRUCTION OR THE STRUCTURAL INTEGRITY OF THE FINISHED WORK.
 - A GEOTECHNICAL INVESTIGATION MUST BE COMPLETED PRIOR TO ANY SOIL PLACEMENT OR RETAINING WALL INSTALLATION ON THE SITE.



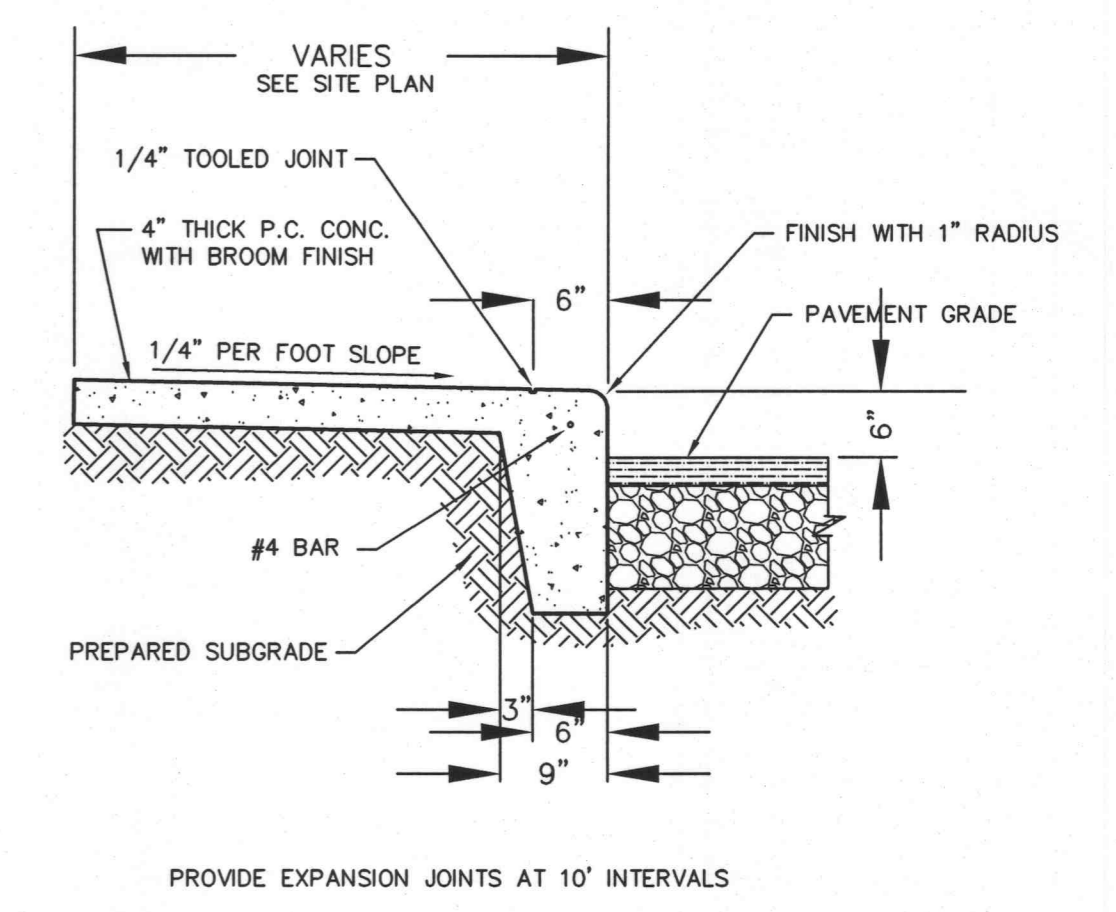
CONCRETE HANDICAP RAMP AT FRONT OF BUILDING
 NOT TO SCALE



CONCRETE VERTICAL CURB
 NOT TO SCALE
 "INTERIOR DRIVES & ISLANDS"



CONCRETE WHEEL STOP (PRECAST)
 NOT TO SCALE



COMBINATION SIDEWALK/CURB
 NOT TO SCALE

HANDICAP PARKING ONLY
 12" X 18" SIGN
 INTERNATIONAL HANDICAPPED SIGN BY SAFETY SIGN CO., CLEVELAND OHIO, CAT. 12-10-252.

VAN ACCESSIBLE
 12" X 18" SIGN
 INTERNATIONAL HANDICAPPED SIGN BY SAFETY SIGN CO., CLEVELAND OHIO, CAT. 12-10-252.

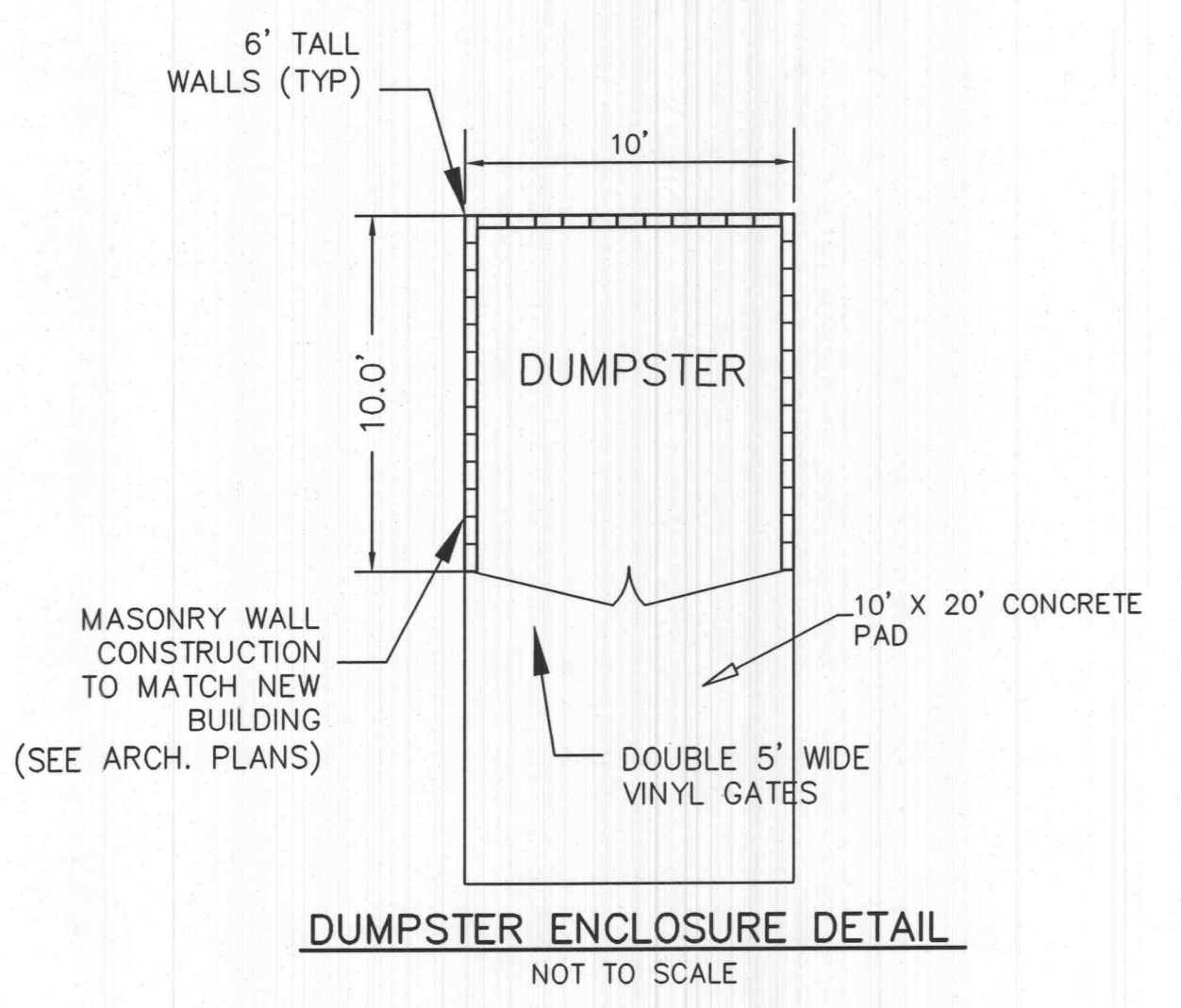
RIGHT TURN ONLY
 18" X 24" SIGN
 "RIGHT TURN ONLY" SIGN STOCK #USA-W11-2SRA16 STREET SIGNS U.S.A.

DO NOT ENTER
 24" X 24" SIGN
 "DO NOT ENTER" SIGN STOCK #USA-R5-1RA16 STREET SIGNS U.S.A.

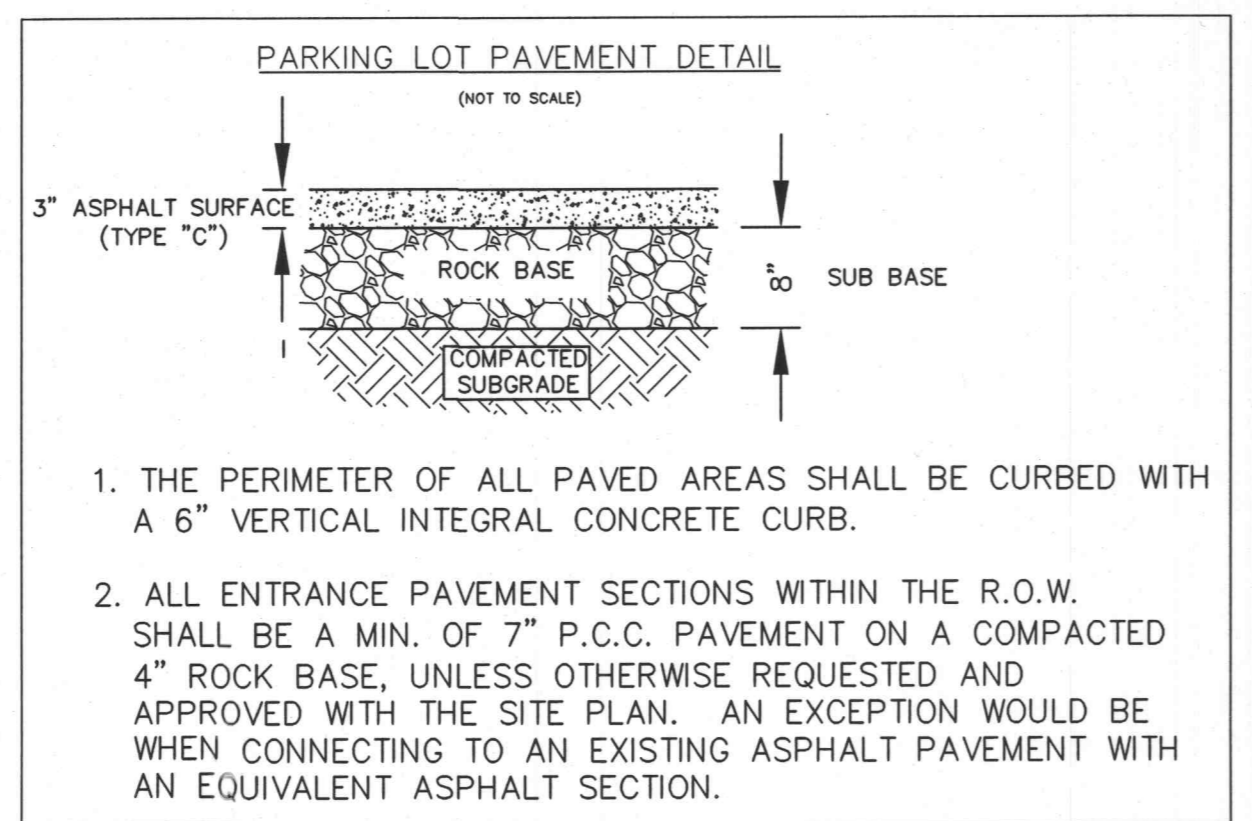
ENTRANCE ONLY
 18" X 12" SIGN
 "ENTRANCE ONLY" SIGN STOCK #USA-G-33BE5 STREET SIGNS U.S.A.

STOP
 24" X 24" SIGN
 "STOP SIGN" SIGN STOCK #USA-R1-1RA16 STREET SIGNS U.S.A.

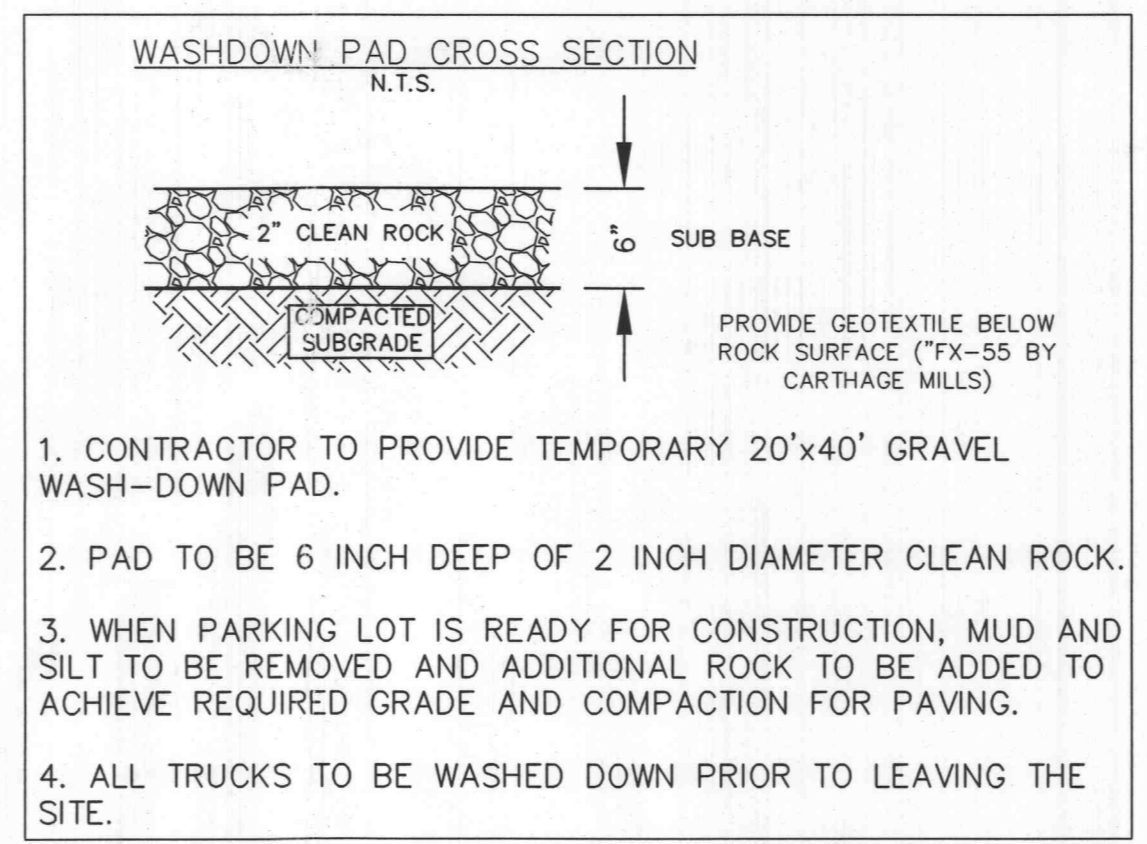
MISC. TRAFFIC CONTROL SIGNS
 NOT TO SCALE



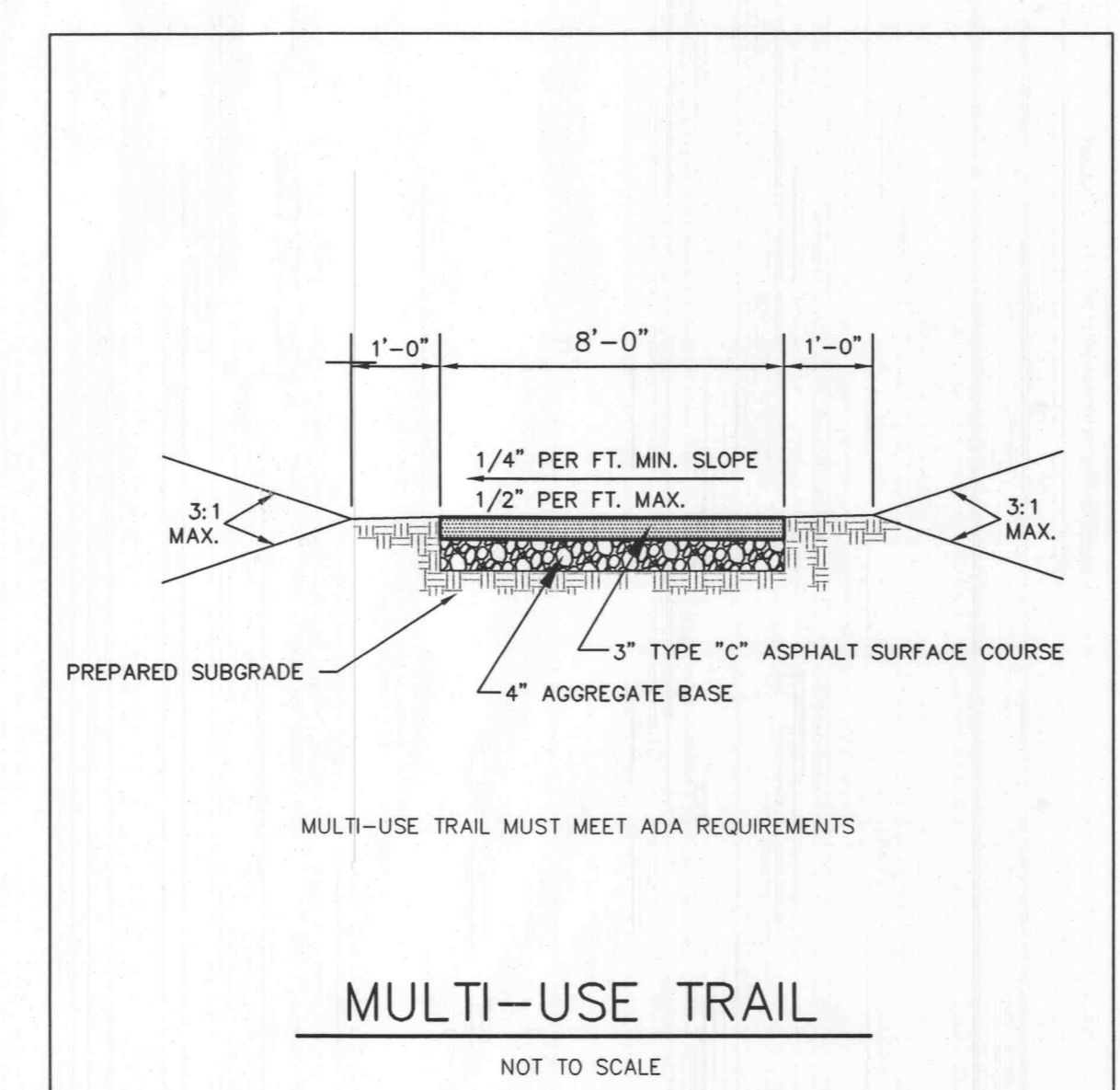
DUMPSTER ENCLOSURE DETAIL
 NOT TO SCALE



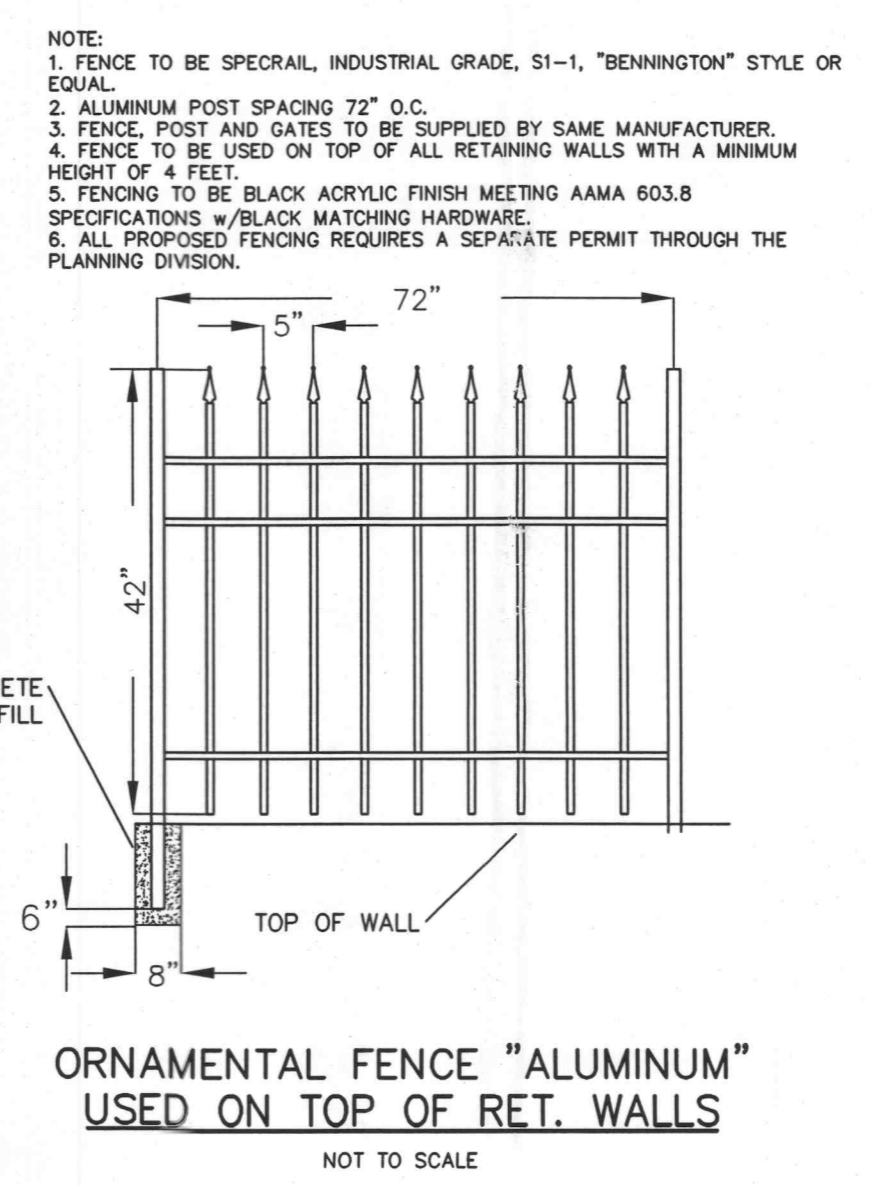
- THE PERIMETER OF ALL PAVED AREAS SHALL BE CURBED WITH A 6" VERTICAL INTEGRAL CONCRETE CURB.
- ALL ENTRANCE PAVEMENT SECTIONS WITHIN THE R.O.W. SHALL BE A MIN. OF 7" P.C.C. PAVEMENT ON A COMPACTED 4" ROCK BASE, UNLESS OTHERWISE REQUESTED AND APPROVED WITH THE SITE PLAN. AN EXCEPTION WOULD BE WHEN CONNECTING TO AN EXISTING ASPHALT PAVEMENT WITH AN EQUIVALENT ASPHALT SECTION.



- CONTRACTOR TO PROVIDE TEMPORARY 20'x40' GRAVEL WASH-DOWN PAD.
- PAD TO BE 6 INCH DEEP OF 2 INCH DIAMETER CLEAN ROCK.
- WHEN PARKING LOT IS READY FOR CONSTRUCTION, MUD AND SILT TO BE REMOVED AND ADDITIONAL ROCK TO BE ADDED TO ACHIEVE REQUIRED GRADE AND COMPACTION FOR PAVING.
- ALL TRUCKS TO BE WASHED DOWN PRIOR TO LEAVING THE SITE.



MULTI-USE TRAIL
 NOT TO SCALE



ORNAMENTAL FENCE "ALUMINUM" USED ON TOP OF RET. WALLS
 NOT TO SCALE

ENGINEER'S CERTIFICATION:
 The following applies to ALL sheets and documents involved in the preparation of the plans and documents for this project. The responsibility for Professional Engineering liability on this project is limited to the set of plans displaying the signature and an original stamped seal of the Engineer on each sheet. ALL responsibility is Disclaimed, until ALL review agency approvals are granted; for all other plan sheets issued prior to this plan set date, for this set when another set is issued after this date; if the sheets are used individually instead of a set. This applies for ALL sheets and documents involved in this project whether this statement appears on them or not. Copyright. All Rights Reserved.

ZAVRADINOS PROFESSIONAL SERVICES, INC.

STATE OF MISSOURI
 JEREMY B. CHILTON
 REGISTERED PROFESSIONAL ENGINEER
 NUMBER 2008000963
 DATE