



Missouri One Call System, Inc.  
Call Before You Dig!  
1-800-DIG-RITE  
(1-800-344-7483)



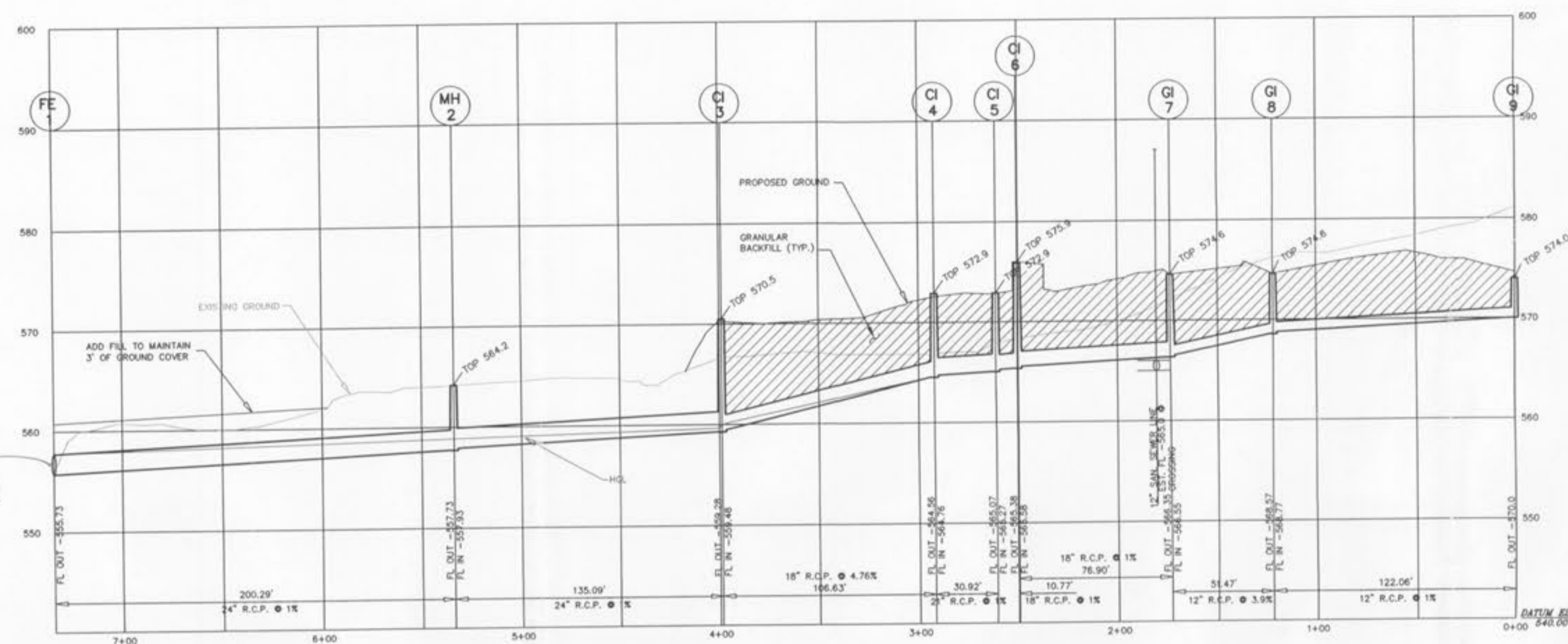
CONTRACTOR TO NOTIFY MoDOT TRAFFIC DIVISION TO LOCATE ANY EXISTING SIGNAL AND LIGHTING UNDERGROUND CABLES OR WIRES PRIOR TO THE COMMENCEMENT OF CONSTRUCTION OR EARTHWORK. (314) 340-4100.

All the improvements & facilities and utilities, above ground and underground shown herein were plotted from available information and do not necessarily reflect the actual existence, nonexistence, elevation, size, type, number or location of these or other improvements, facilities, or utilities. The General Contractor and/or owner shall be responsible for verifying the actual location & elevation of all improvements, facilities, & utilities, shown or not shown, and making improvements, facilities, & utilities shall be located in the field prior to any grading, excavation or construction of any improvements. These provisions shall in no way absolve any party from complying with the Underground Facility Safety & Damage Prevention Act, Chapter 319, RSMo. CALL MISSOURI ONE-CALL, 1-800-DIG-RITE.

NOTE: ALL SEWER FLOWLINES TO BE FIELD VERIFIED AND, IF NEEDED, ADJUSTED TO PROVIDE ADEQUATE PIPE SLOPE AND MINIMUM GROUND COVER (3').

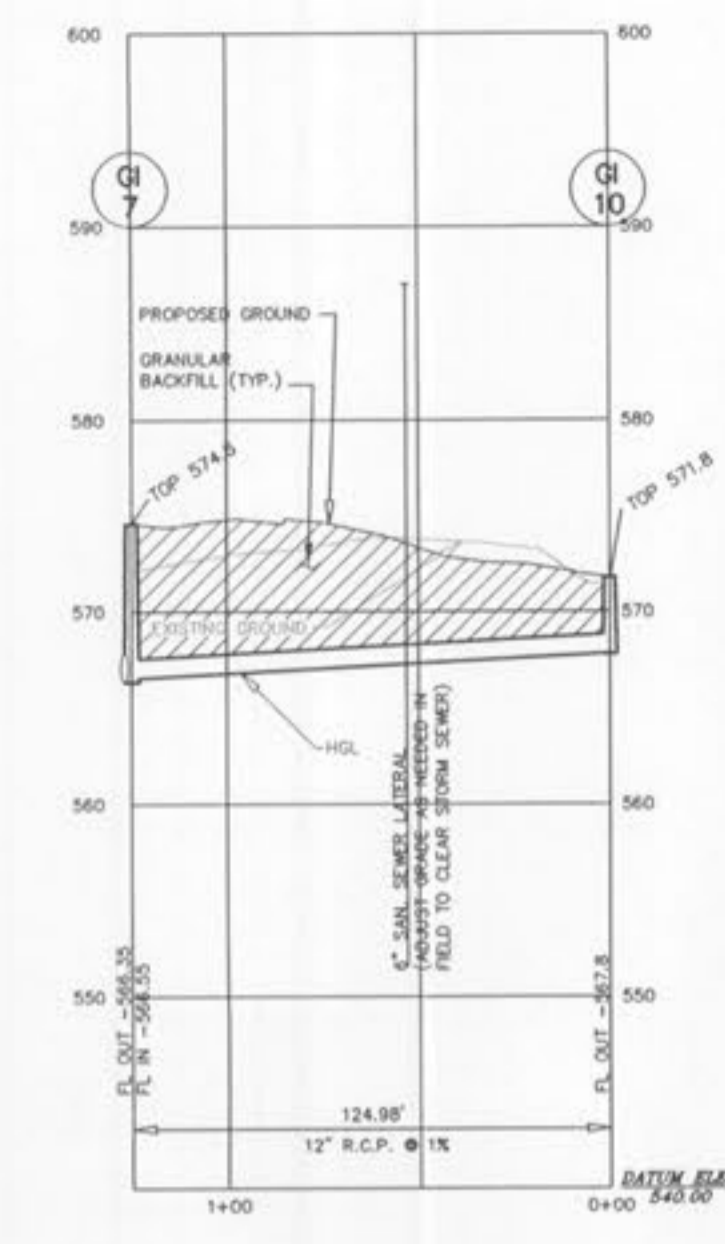
GENERAL NOTES

1. ALL SEWER INSTALLATION AND MATERIALS SHALL COMPLY WITH CITY OF O'FALLON STANDARDS.
2. BRICK SHALL NOT BE USED IN THE CONSTRUCTION OF SANITARY OR STORM SEWER STRUCTURES.
3. ALL SANITARY SEWER PIPES SHALL HAVE GASKETED O-RING TYPE COMPRESSION JOINTS PER THE CITY OF O'FALLON.
4. ALL SANITARY LATERALS AND SANITARY MAINS CROSSING UNDER ROADWAYS SHALL HAVE THE PROPER ROCK BACKFILL AND BE COMPACTED AS REQUIRED BY THE CITY OF O'FALLON.
5. ALL FILLED PLACES UNDER PROPOSED STORM AND SANITARY SEWER LINES AND/OR PAVED AREAS SHALL BE COMPACTED TO 90% OF THE MAXIMUM DENSITY AS DETERMINED BY THE MODIFIED AASHTO T-180 COMPACTION TEST OR 95% OF THE MAXIMUM DENSITY AS DETERMINED BY THE STANDARD PROCTOR TEST AASHTO T-99.
6. ALL FILLED PLACES IN PROPOSED ROADS SHALL BE COMPACTED FROM THE BOTTOM OF THE FILL UP TO 90% OF THE MAXIMUM DENSITY AS DETERMINED BY THE MODIFIED AASHTO T-180 COMPACTION TEST OR 95% OF THE MAXIMUM DENSITY AS DETERMINED BY THE STANDARD PROCTOR TEST AASHTO T-99. OPTIMUM MOISTURE CONTENT SHALL BE DETERMINED USING THE SAME TEST THAT WAS USED FOR COMPACTION. SOIL COMPACTION CURVES SHALL BE SUBMITTED TO THE CITY PRIOR TO THE PLACEMENT OF FILL. PROOF ROLLING MAY BE REQUIRED TO VERIFY SOIL STABILITY AT THE DISCRETION OF THE CITY. ALL TESTS SHALL BE VERIFIED BY A SOILS ENGINEER CONCURRENT WITH GRADING AND BACKFILLING OPERATIONS.
7. CUT-OFF WALLS FOR FLARED END SECTIONS ARE TO BE 2 FEET DEEP UPSTREAM AND 3 FEET DEEP DOWNSTREAM. ALL FLARED END SECTIONS ARE TO BE CONCRETE.
8. PROPOSED STORM SEWERS SHALL COMPLY WITH ALL CITY, COUNTY & STATE STORMWATER ORDINANCES.
9. PROVIDE SILTATION CONTROL AROUND ALL STORM SEWER INLETS AS SHOWN ON THE SWPPP PLAN.
10. RIP-RAP SHOWN AT FLARED ENDS WILL BE EVALUATED IN THE FIELD AFTER INSTALLATION FOR EFFECTIVENESS AND FIELD MODIFIED, IF NECESSARY, TO REDUCE EROSION ON AND OFF SITE.
11. SANITARY SEWER LINE PLACEMENT SHALL BE A MINIMUM OF 10' FROM THE EDGE OF ANY BUILDING STRUCTURE AND MAY NEED TO BE INCREASED DEPENDING ON THE DEPTH OF THE LINE.
12. PROVIDE GRANULAR FILL AROUND STORM AND SANITARY SEWER LINES IN TRENCHES WITH 10' OF THE EDGE OF PAVEMENT CURB AND IN THE 1 TO 1 SHEAR PLANE OF THE ROAD.
13. SIX INCH SANITARY SEWER LATERALS ARE TO BE INSTALLED AT A MINIMUM SLOPE OF 2% (TYP.).
14. ALL STORM SEWERS ON/OFF SITE SHALL BE PRIVATELY MAINTAINED.



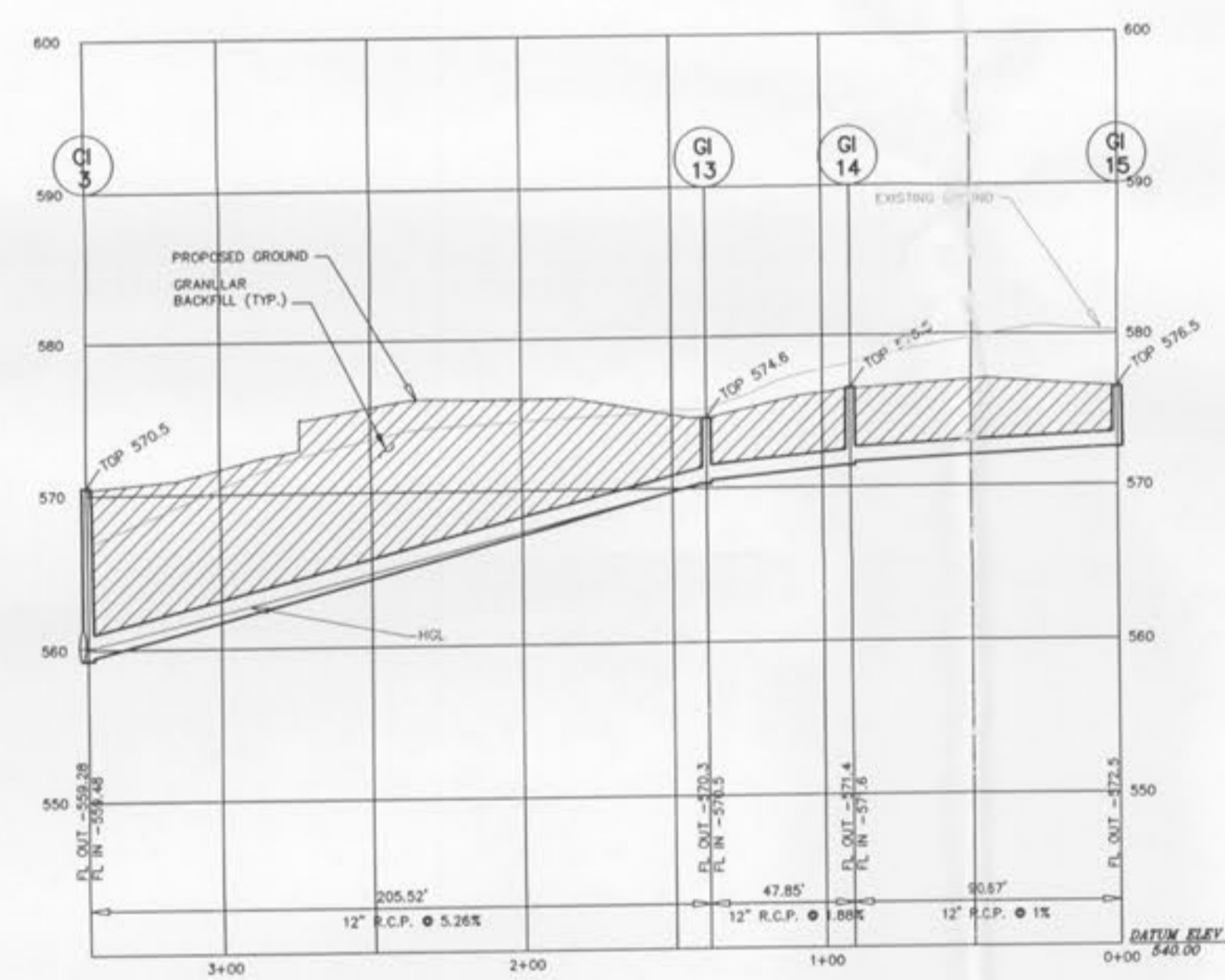
SCALE: 1" = 50' HORIZ.  
1" = 10' VERT.

"PRIVATE" STORM SEWER PROFILE



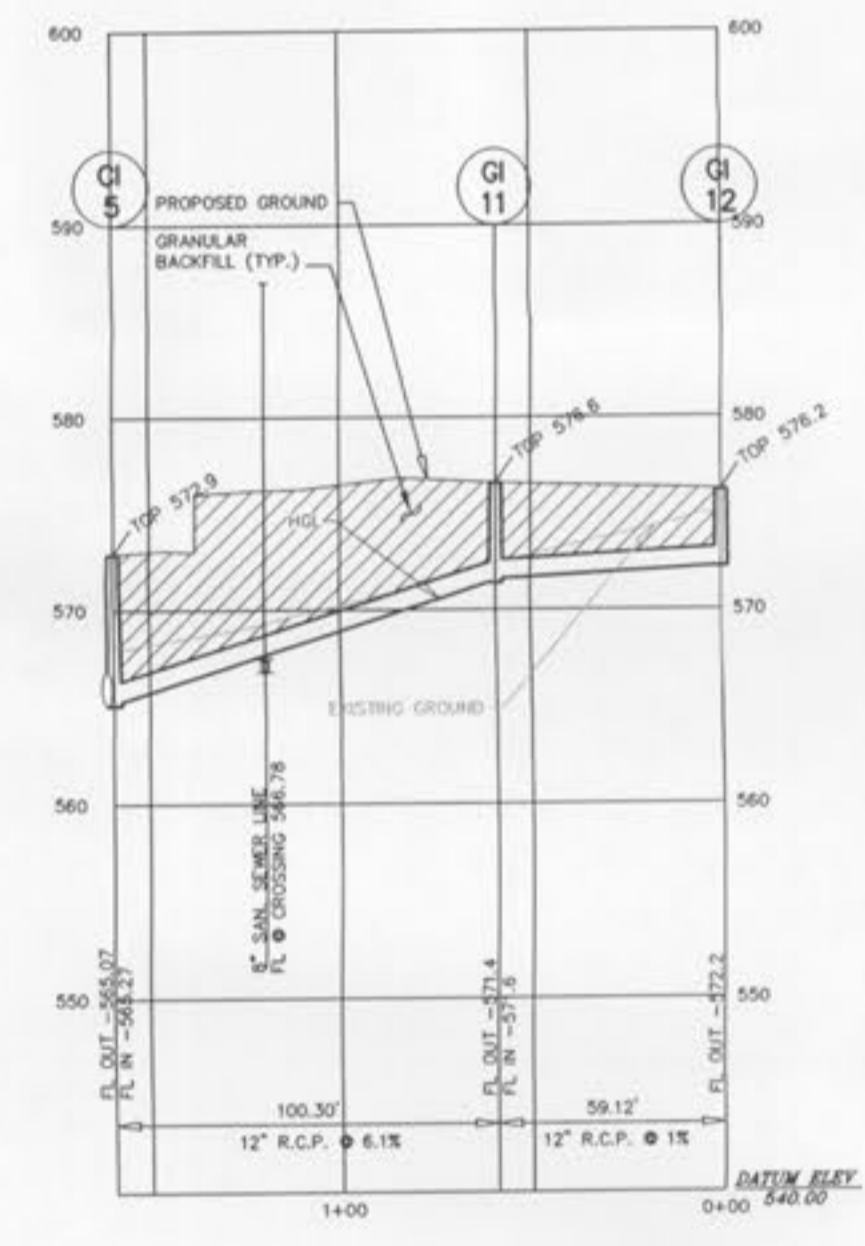
SCALE: 1" = 50' HORIZ.  
1" = 10' VERT.

"PRIVATE" STORM SEWER PROFILE



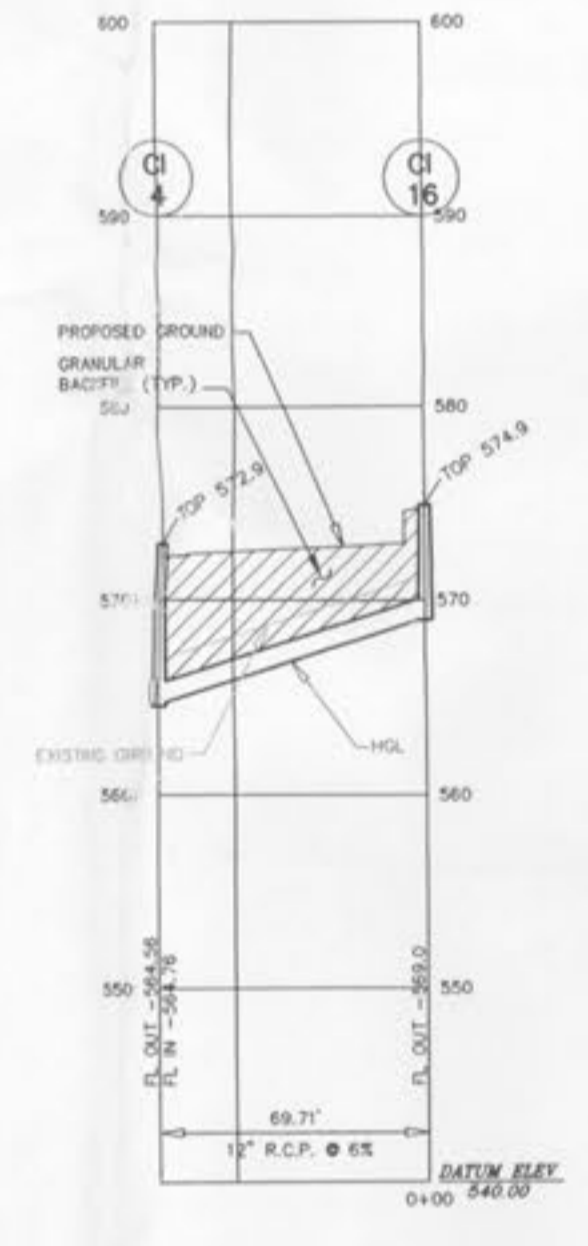
SCALE: 1" = 50' HORIZ.  
1" = 10' VERT.

"PRIVATE" STORM SEWER PROFILE



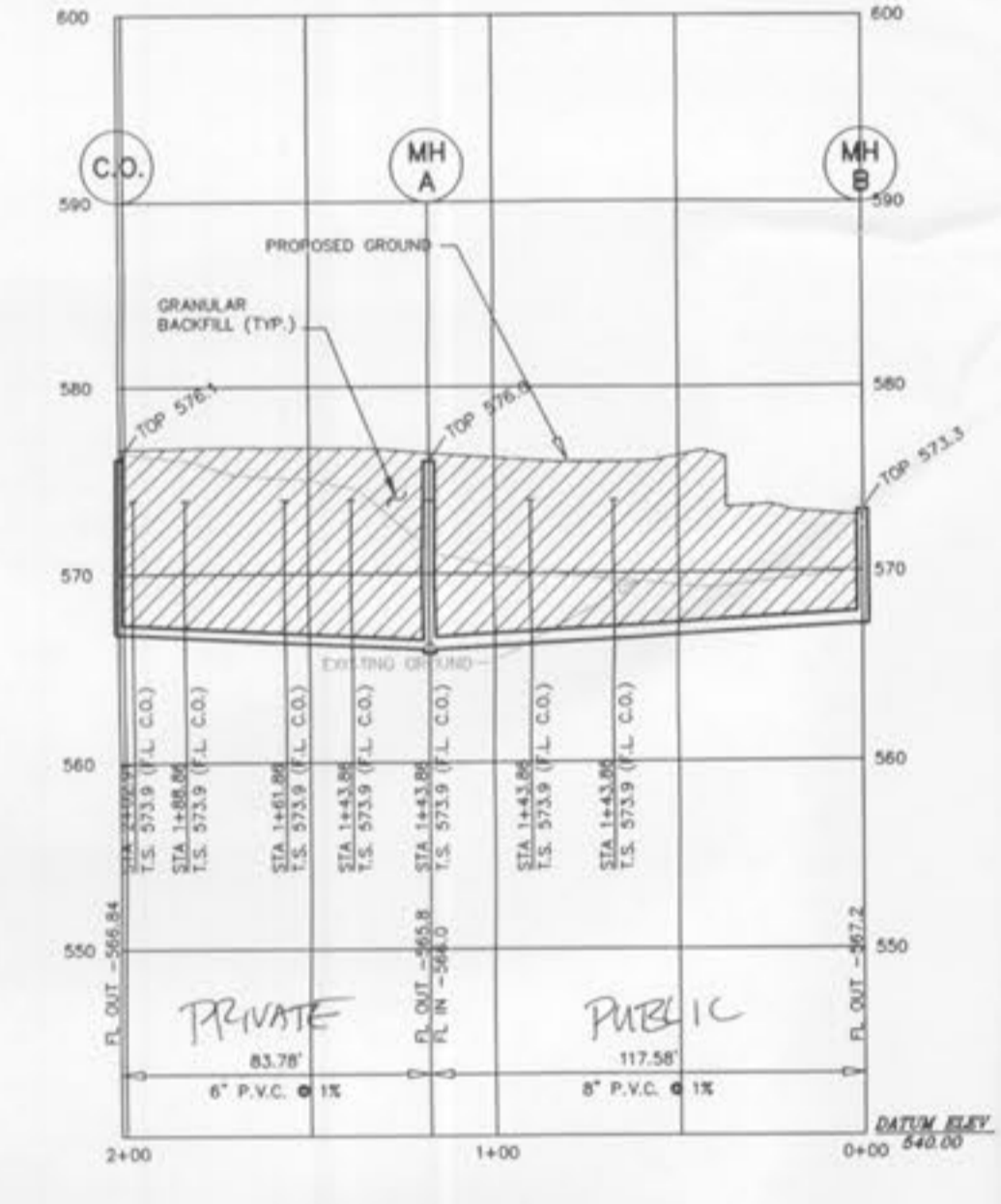
SCALE: 1" = 50' HORIZ.  
1" = 10' VERT.

"PRIVATE" STORM SEWER PROFILE



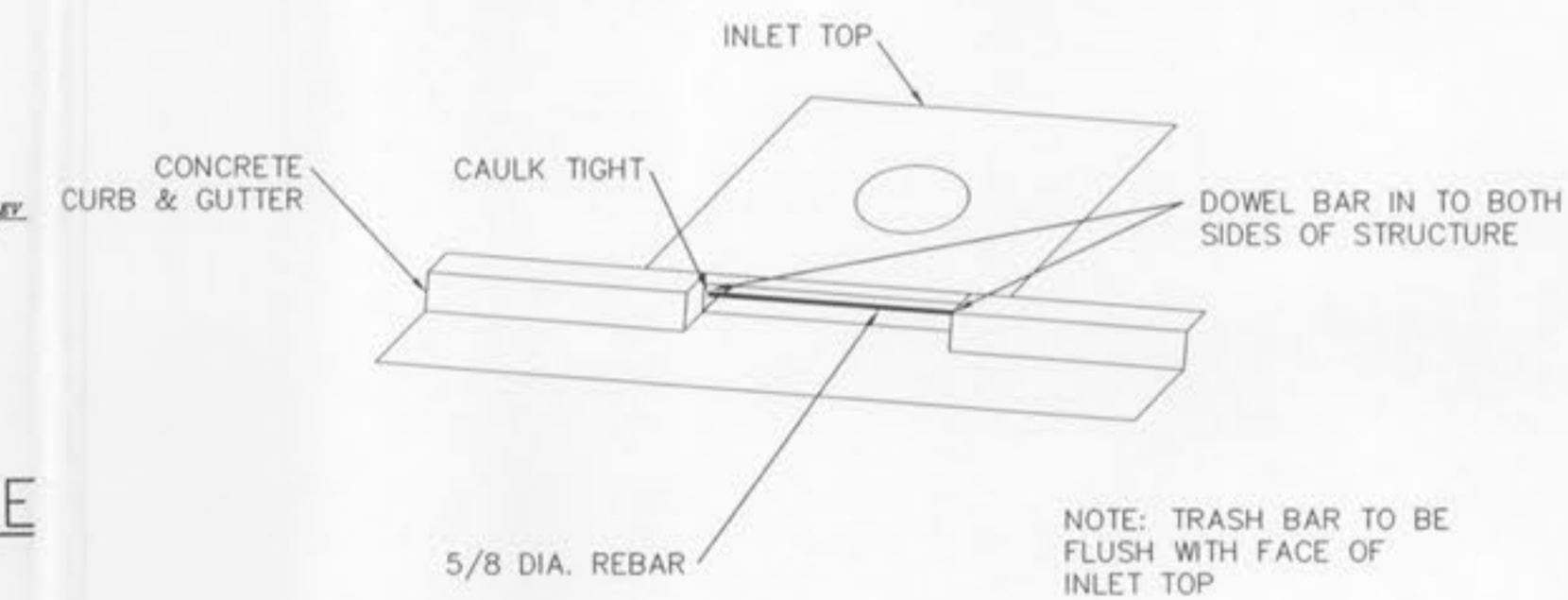
SCALE: 1" = 50' HORIZ.  
1" = 10' VERT.

"PRIVATE" STORM SEWER PROFILE



SCALE: 1" = 50' HORIZ.  
1" = 10' VERT.

"PRIVATE" SANITARY SEWER PROFILE



TRASH BAR FOR CURB INLET DETAIL  
NOT TO SCALE

NOTE: TRASH BAR TO BE FLUSH WITH FACE OF INLET TOP

Project: LAURA K, O'FALLON, MO  
Project No.: 3138  
Date: 11-Jul-05  
Revised: 28-Aug-05

Post - Development Conditions

Lower Structure	Upper Structure	Lower Flowline	Upper Flowline	Size (In.)	Length (ft.)	Slope (ft./ft.)	Q (cfs)	n	Sr (ft./ft.)	Lr (ft.)	Vfull (ft./sec.)	vhull (ft.)	Qcap (cfs)	% Cap.	Pipe Angle	Angle Multiplier	Length (ft.)	Lower Hydr. Elev.	Upper Hydr. Elev.
FE-1	MH-2	555.73	557.73	24	200.29	0.0100	16.72	0.013	0.005483	1.0941	5.3221	0.4398	22.6224	74	0	0.00	0.00	557.73	558.82
MH-2	CI-3	557.93	559.28	24	135.09	0.0100	16.72	0.013	0.005483	0.7379	5.3221	0.4398	22.6224	74	4	0.05	0.62	558.85	559.82
CI-3	CI-4	559.48	564.56	18	106.63	0.0478	13.52	0.013	0.018573	1.7672	7.6525	0.9083	22.9178	59	64	0.57	0.62	560.14	561.94
CI-4	CI-5	564.76	565.07	21	30.92	0.0100	11.53	0.013	0.005585	0.0601	4.4422	0.3064	10.5043	75	15	0.18	0.06	562.36	562.42
CI-5	CI-6	565.27	565.38	18	10.77	0.0100	7.85	0.013	0.005373	0.4132	4.3573	0.2948	10.5043	73	43	0.45	0.13	562.55	563.02
CI-6	GI-7	565.58	566.35	18	76.90	0.0100	7.85	0.013	0.005373	0.4132	4.3573	0.2948	10.5043	73	18	0.21	0.06	563.09	563.57
GI-7	GI-8	566.55	568.56	12	51.47	0.0392	3.45	0.013	0.009377	0.4826	4.3927	0.2996	7.0540	49	39	0.42	0.06	563.63	564.21
GI-8	GI-9	568.76	569.98	12	122.07	0.0100	2.45	0.013	0.004729	0.5772	3.1194	0.1511	3.5628	89	39	0.42	0.06	563.63	564.21
GI-9	GI-10	568.55	567.79	12	124.97	0.0100	1.96	0.013	0.003026	0.3782	2.4955	0.0967	3.5628	55	78	0.64	0.06	563.09	563.46
CI-6	GI-11	565.27	571.39	12	100.3	0.0610	3.07	0.013	0.007435	0.7455	3.9114	0.2376	8.7995	35	75	0.8250	0.15	562.36	563.10
GI-11	GI-12	571.59	572.18	12	59.12	0.0100	2.94	0.013	0.006609	0.4026	3.7433	0.2176	3.5628	83	24	0.2820	0.06	563.16	563.56
CI-3	GI-13	559.48	570.29	12	205.52	0.0526	1.897	0.013	0.002835	0.5826	2.4153	0.0906	8.1712	23	38	0.4100	0.04	560.14	560.72
GI-13	GI-14	570.49	571.39	12	47.85	0.0188	1.462	0.013	0.001894	0.0806	1.9616	0.0538	4.8851	30	62	0.5600	0.03	560.75	560.83
GI-14	GI-15	571.59	572.50	12	90.67	0.0100	0.95	0.013	0.000711	0.0645	1.2096	0.0227	3.5628	27	45	0.47	0.01	560.84	560.91
CI-4	GI-16	564.76	569.00	12	69.71	0.0608	1.4	0.013	0.001544	0.1076	1.7825	0.0493	8.7850	16	112	0.7	0.03	561.99	562.10

NOTE: MARKINGS, AS SHOWN IN THE TABLE BELOW, SHALL BE ADDED TO ALL STORM SEWER INLETS PER THE CITY OF O'FALLON. ALSO NOTE THAT "PEEL AND STICK" ADHESIVE PADS WILL NOT BE ALLOWED.

MANUFACTURER	SIZE	ADHESIVE	STYLE	MESSAGE (PART #)	WEBSITE
ACP INTERNATIONAL	3 7/8"	EPOXY	CRYSTAL CAP	NO DUMPING DRAINS TO WATERWAYS (SD-W-Cc)	WWW.ACPINTERNATIONAL.COM
DAS MANUFACTURING, INC.	4"	EPOXY	STND. STYLE	NO DUMPING DRAINS TO STREAMS (#SDS)	WWW.DASMANUFACTURING.COM

O'FALLON P&Z # 3903.01  
-SEWER PROFILES-

ENGINEERS' CERTIFICATION:  
The following applies to ALL sheets and documents involved in the preparation of the plans and documents for this project. The responsibility for Professional Engineering liability on this project is limited to the set of plans displaying the signature and an original stamped seal of the Engineer on each sheet. ALL responsibility is Disclaimed: until ALL review agency approvals are granted; for all other plan sheets issued prior to this plan set date; for this set when another set is issued after this date; if the sheets are used individually instead of a set. This applies for ALL sheets and documents involved in this project whether this statement appears on them or not. Copyright. All Rights Reserved.

ZAVRADINOS PROFESSIONAL SERVICES, INC.  
JEREMY B. CHILTON  
NUMBER  
DATE: 10/21/2005  
JEREMY B. CHILTON # 2005000963 DATE