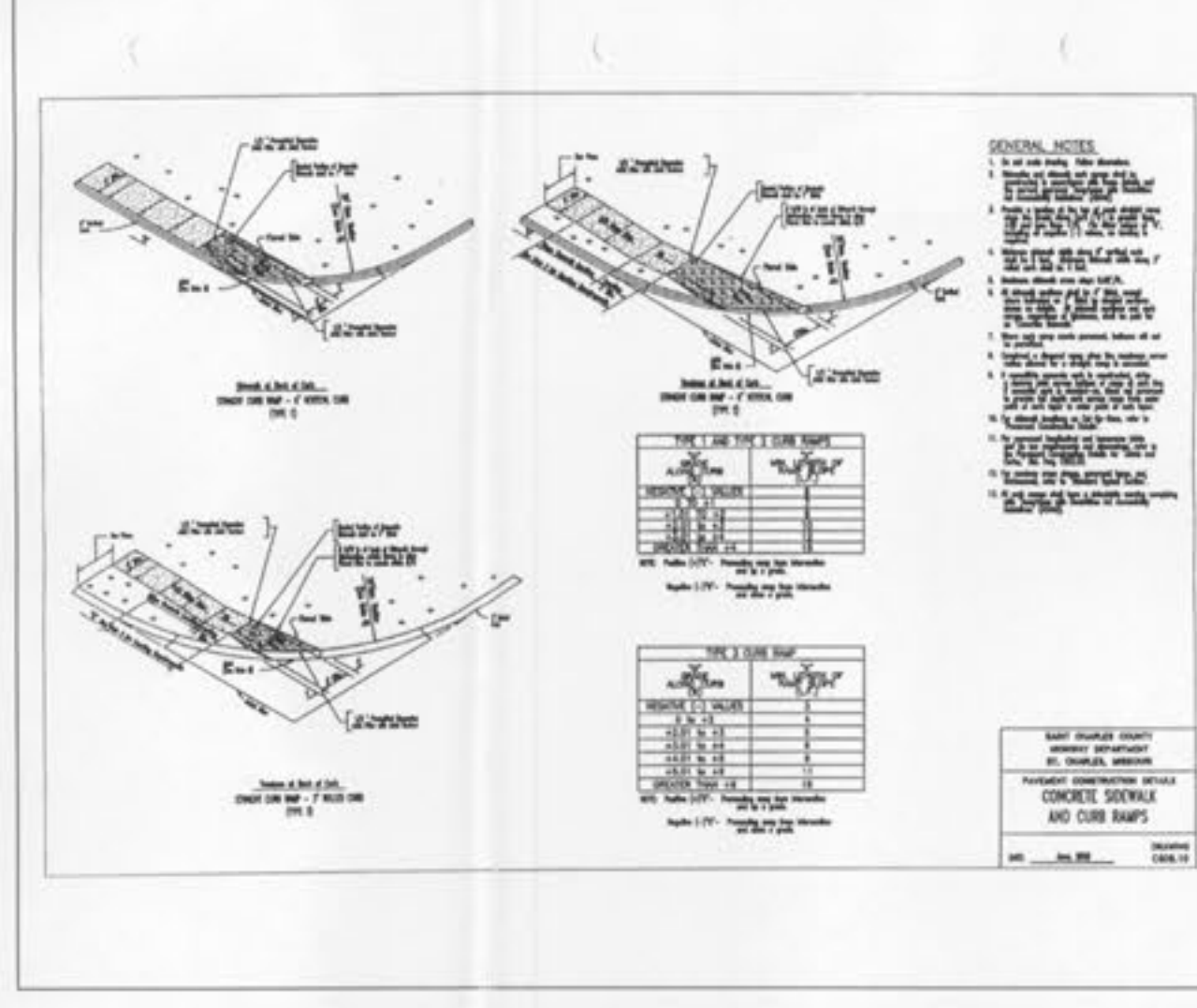
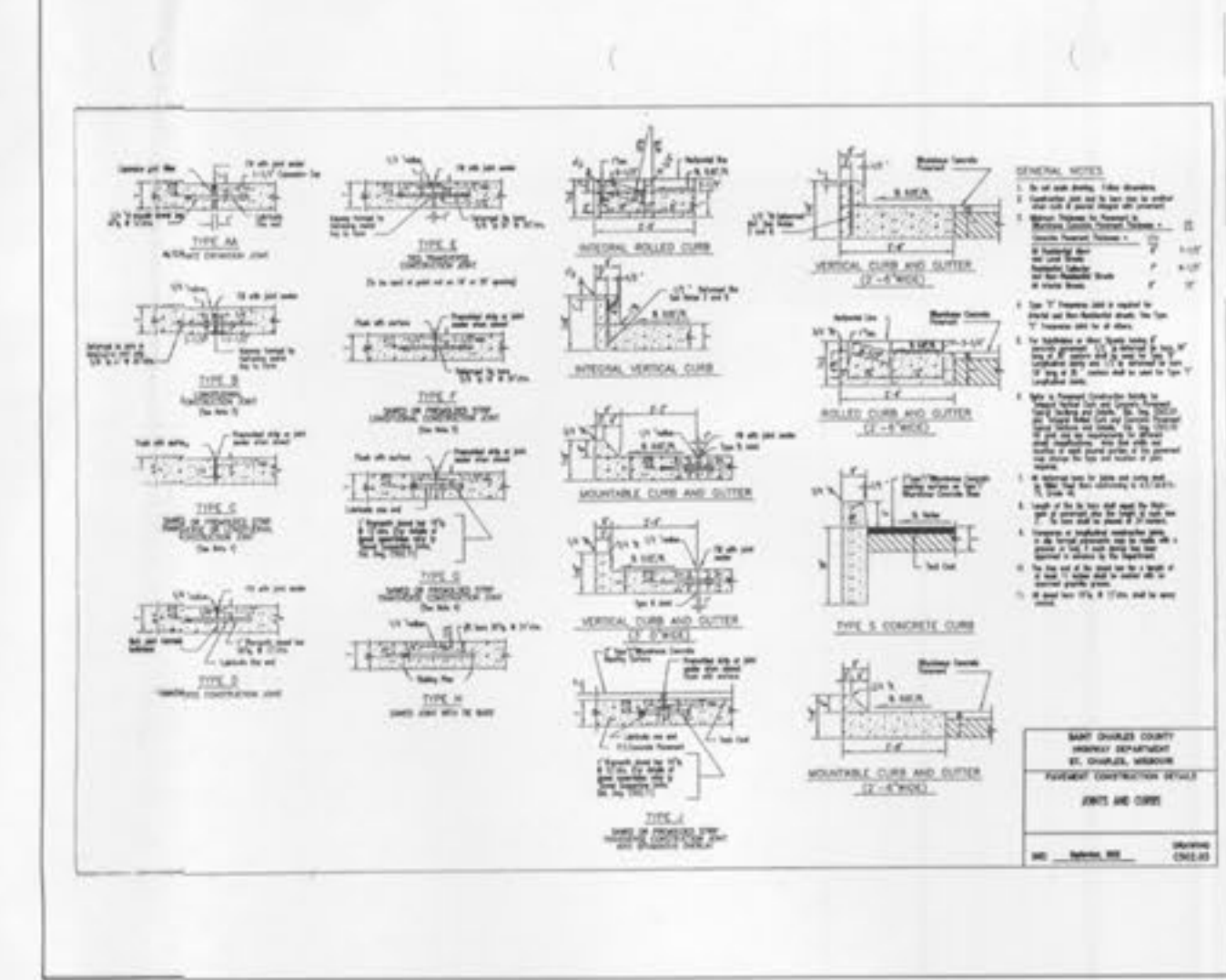
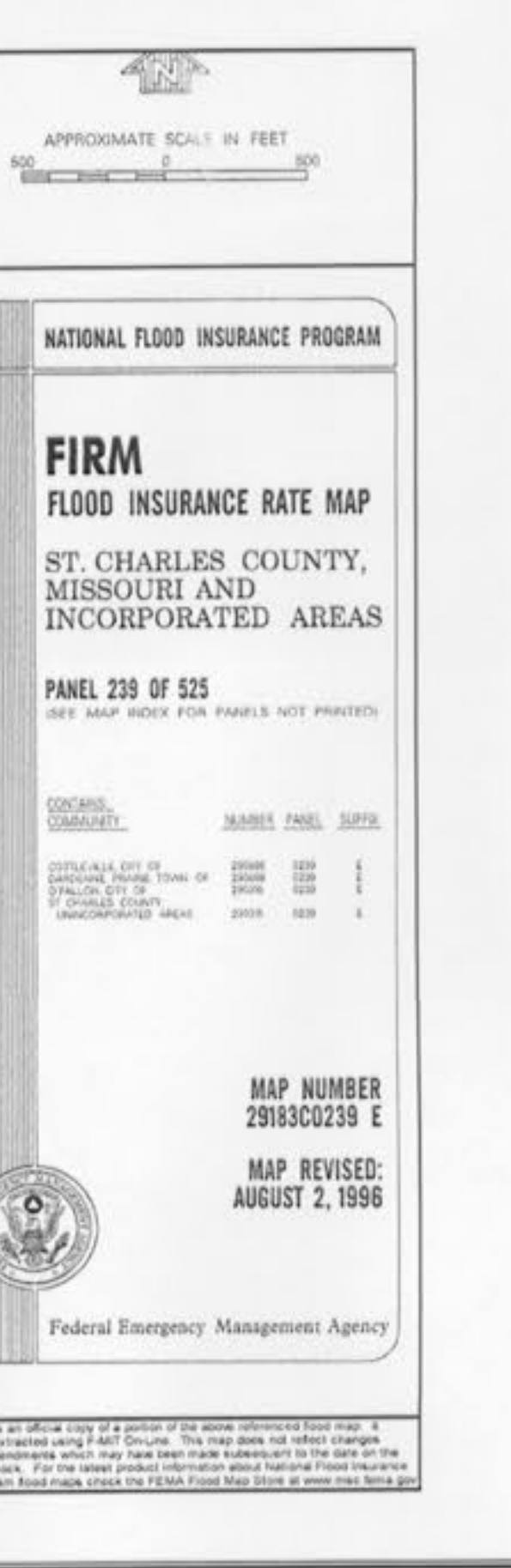
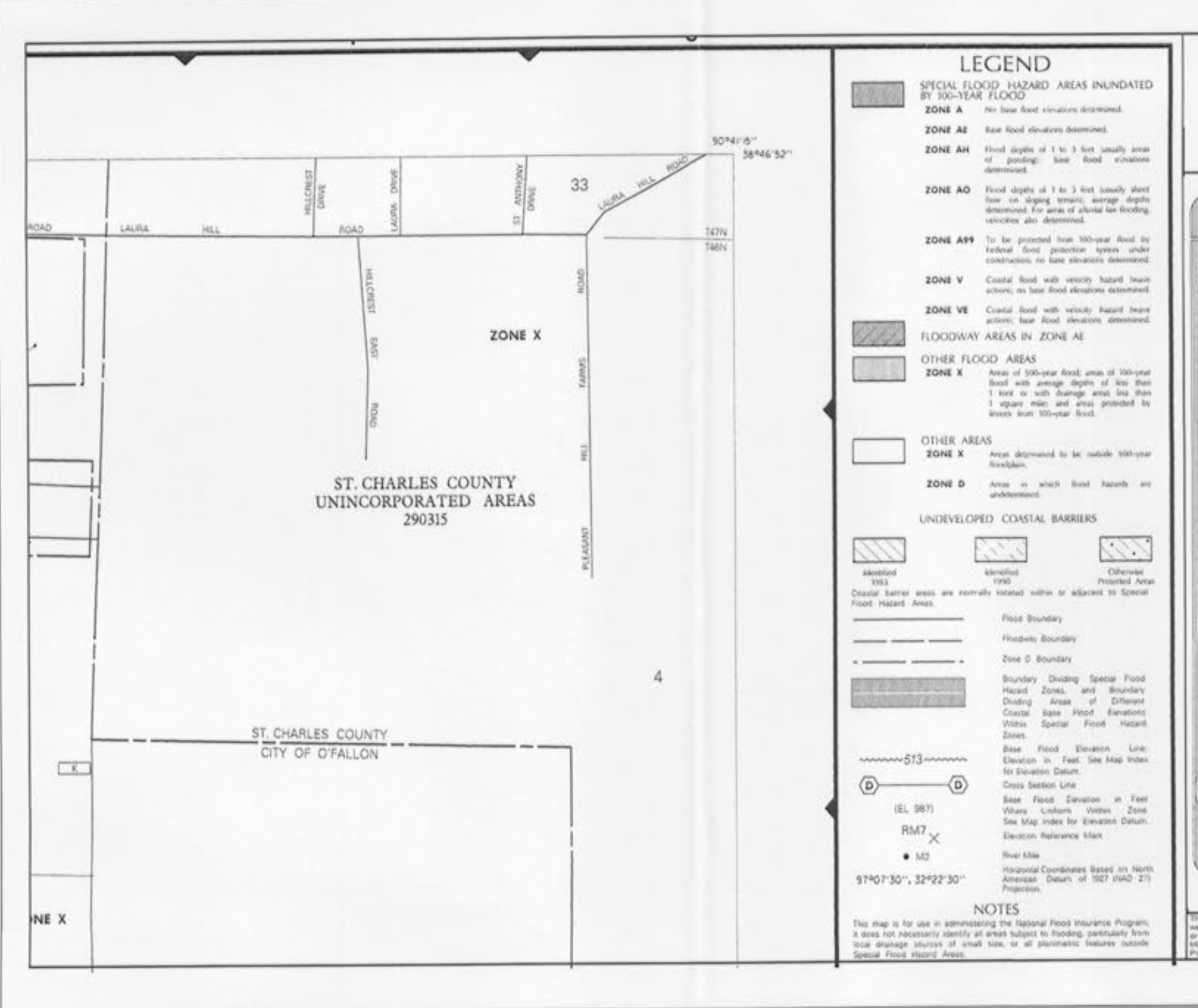
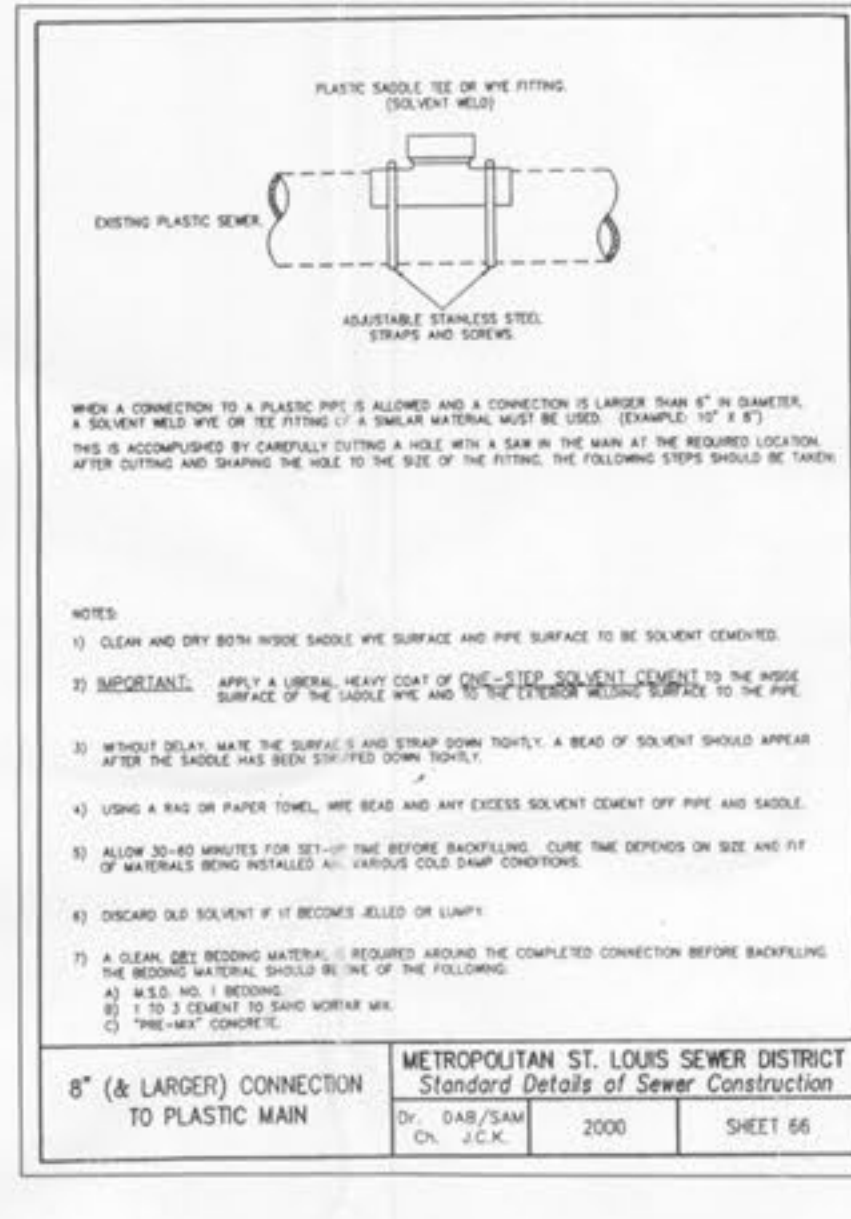
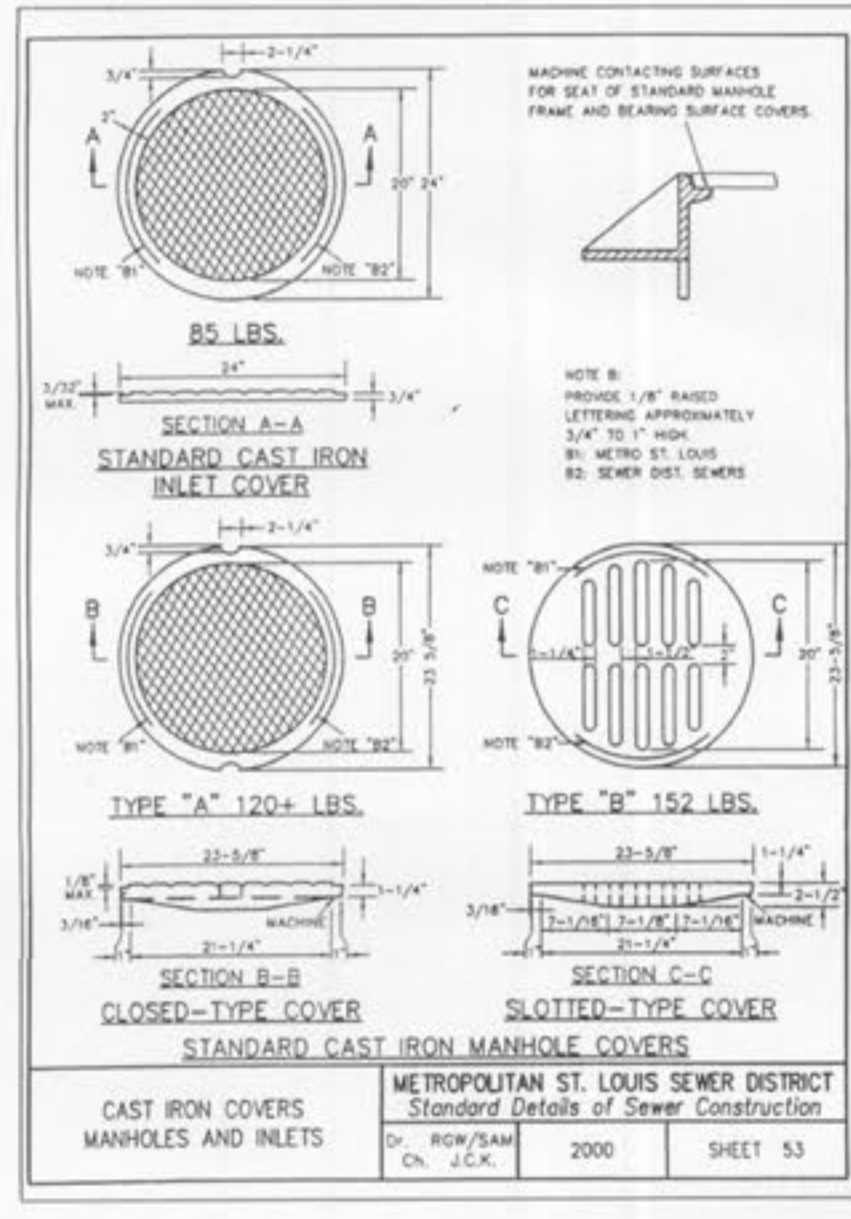
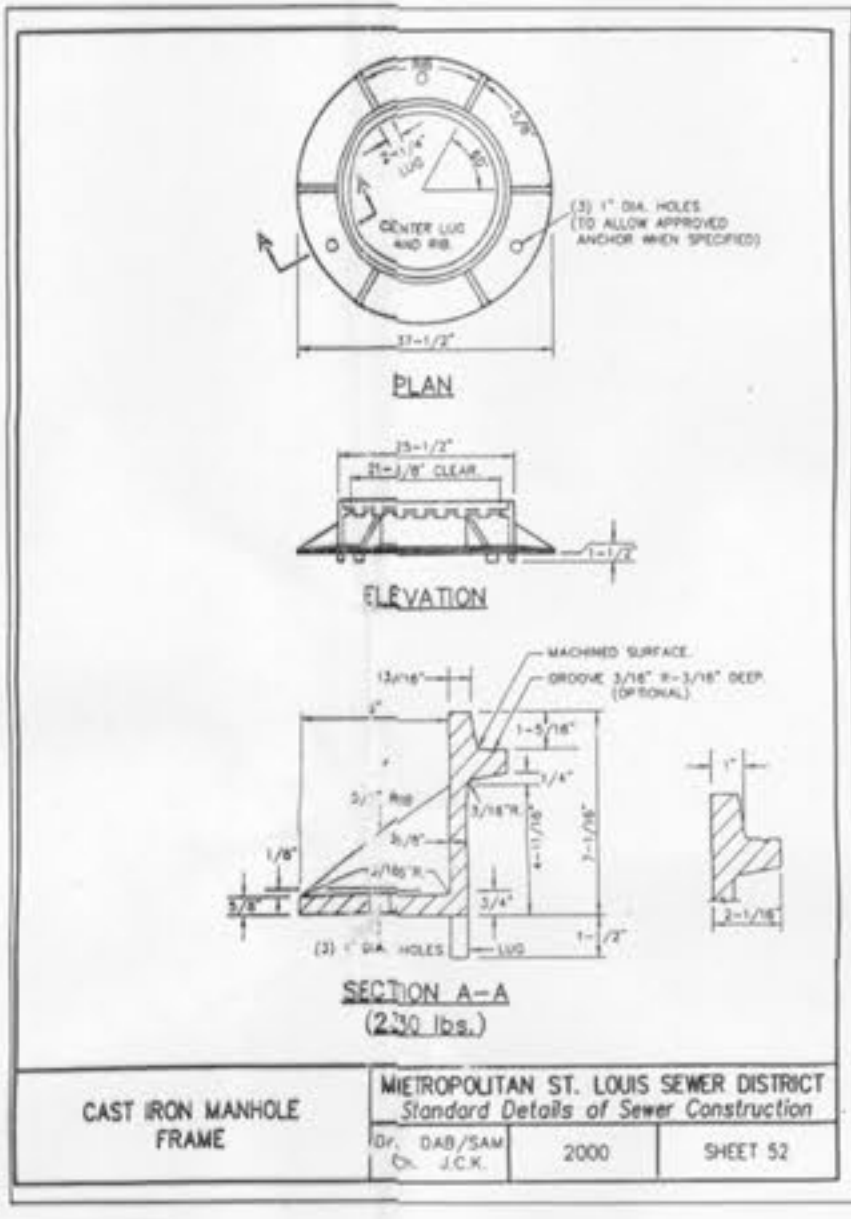
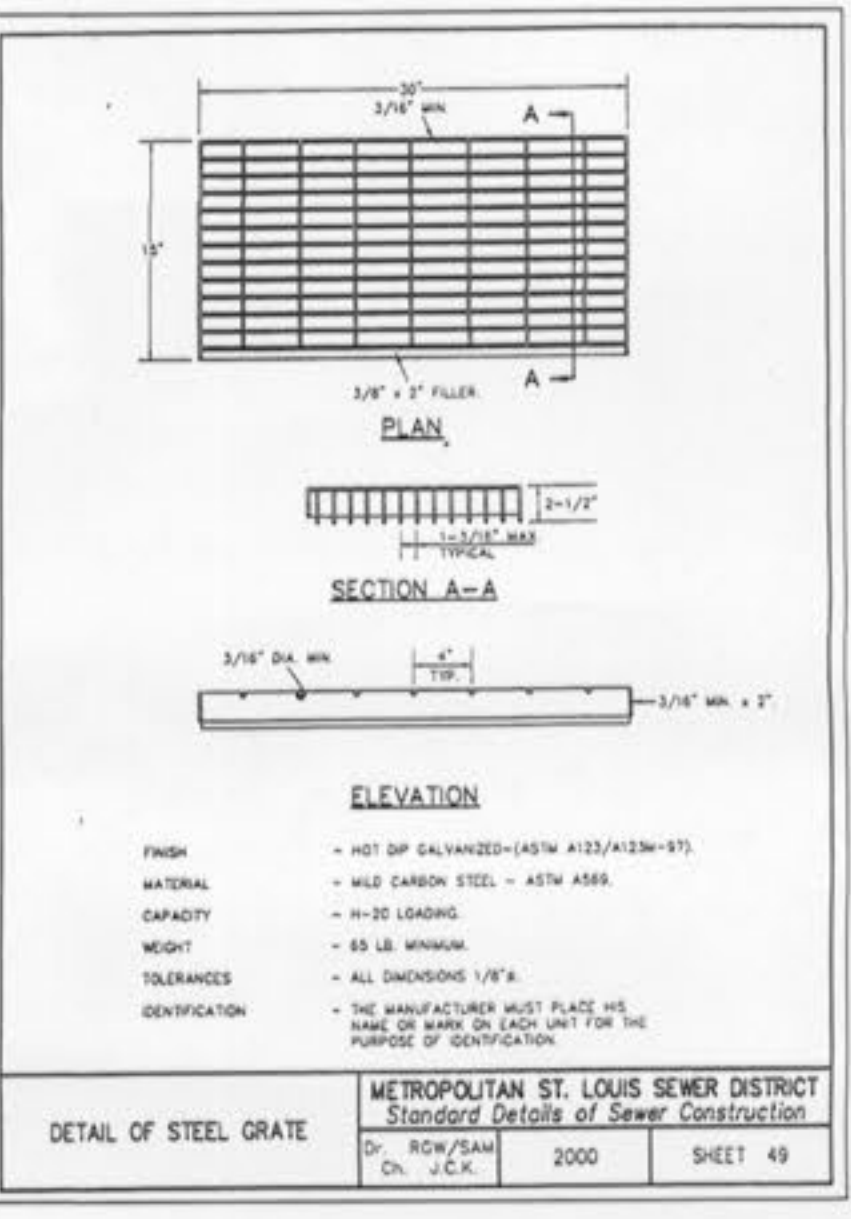
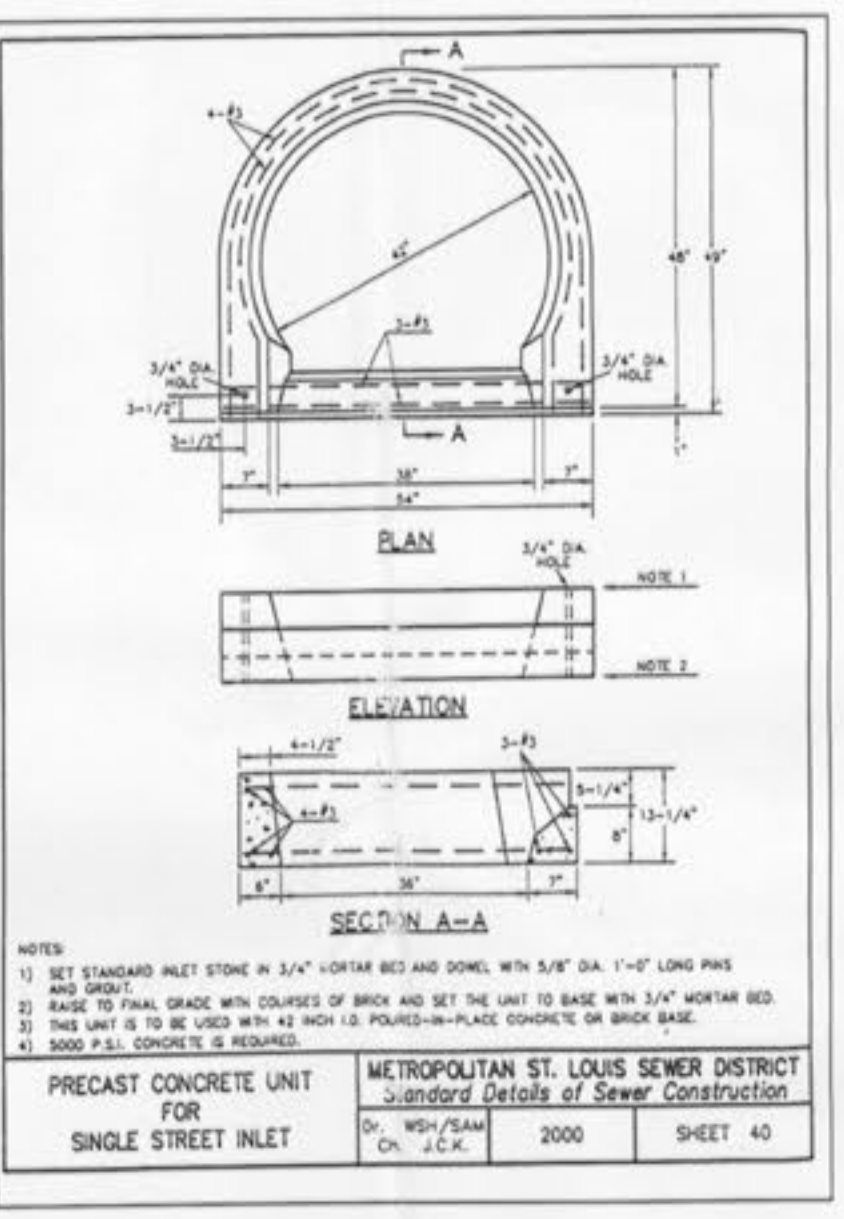
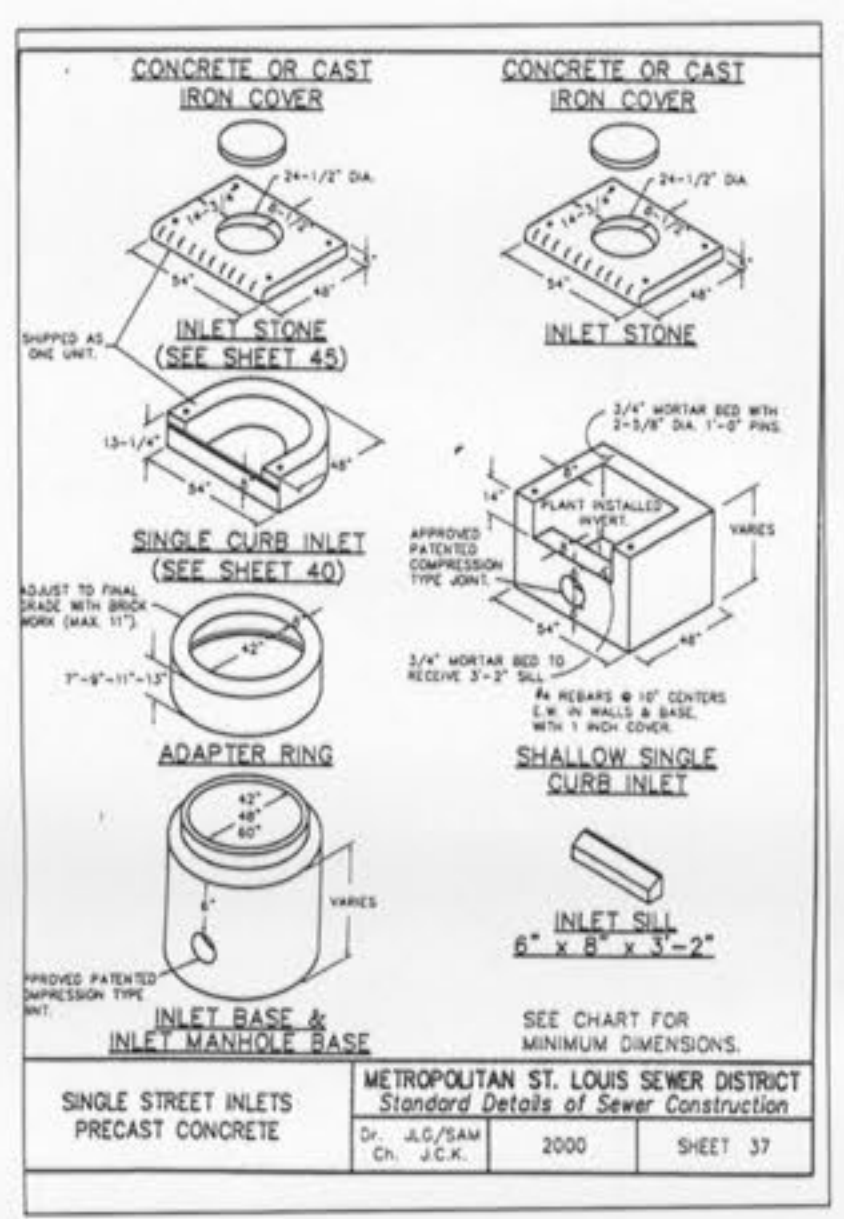
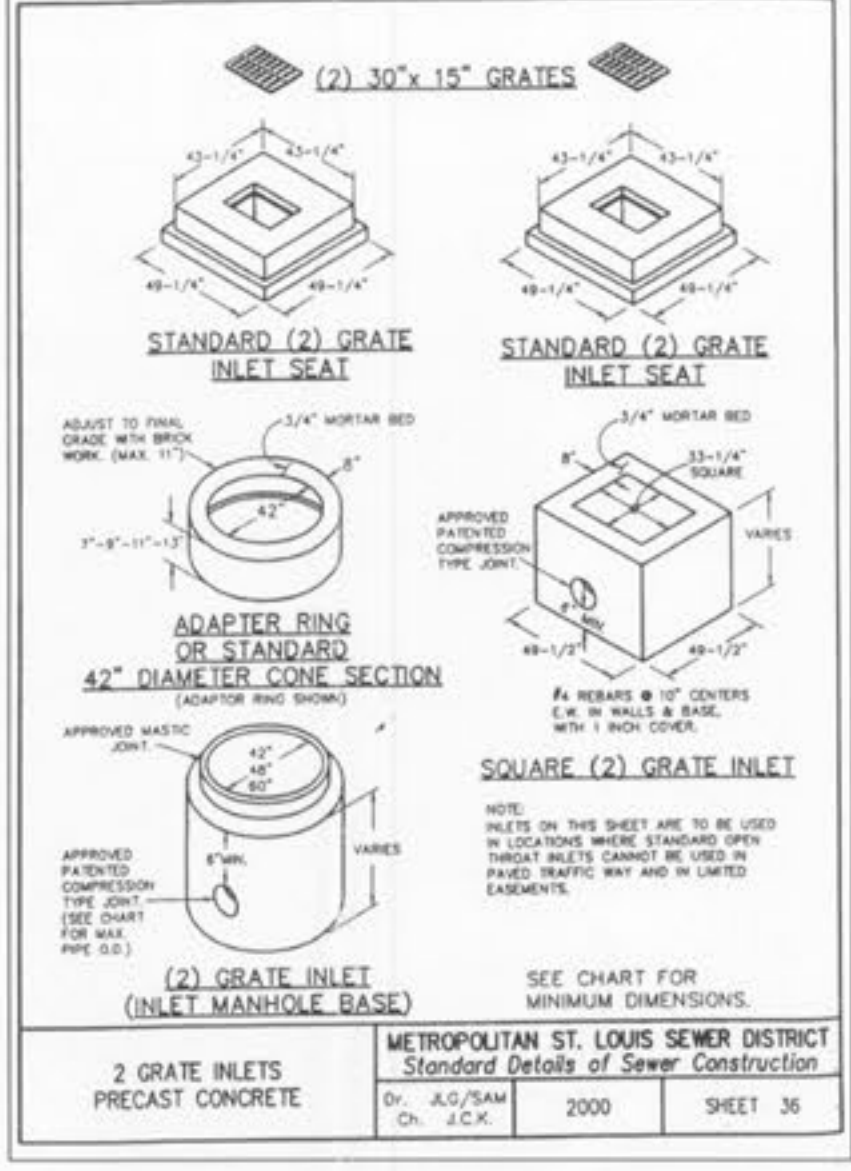
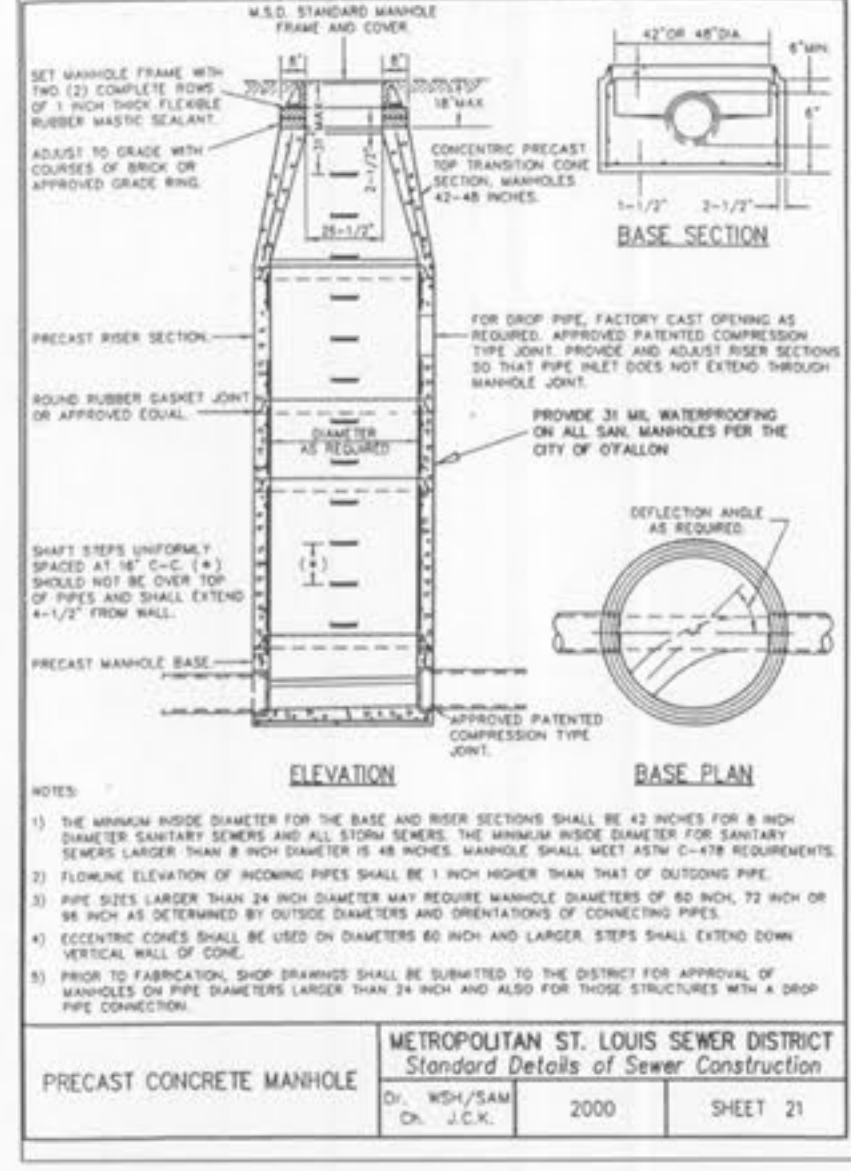
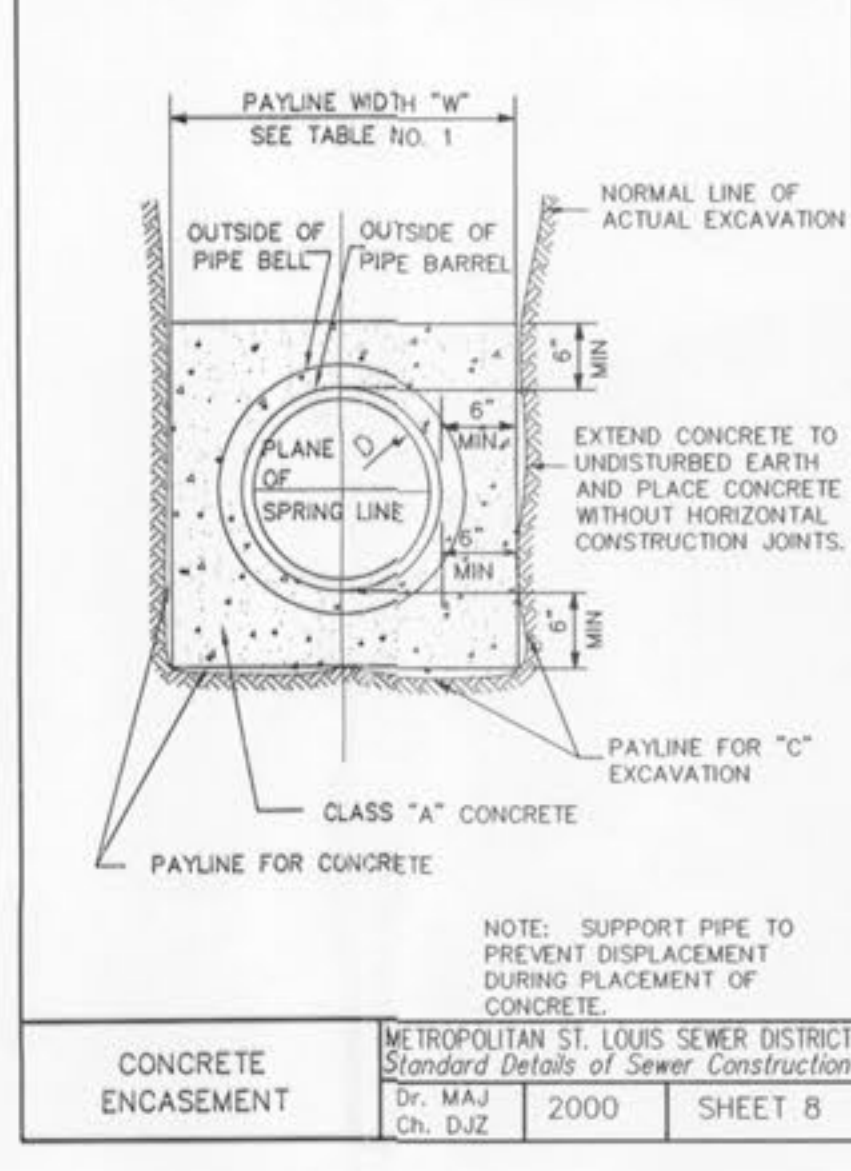
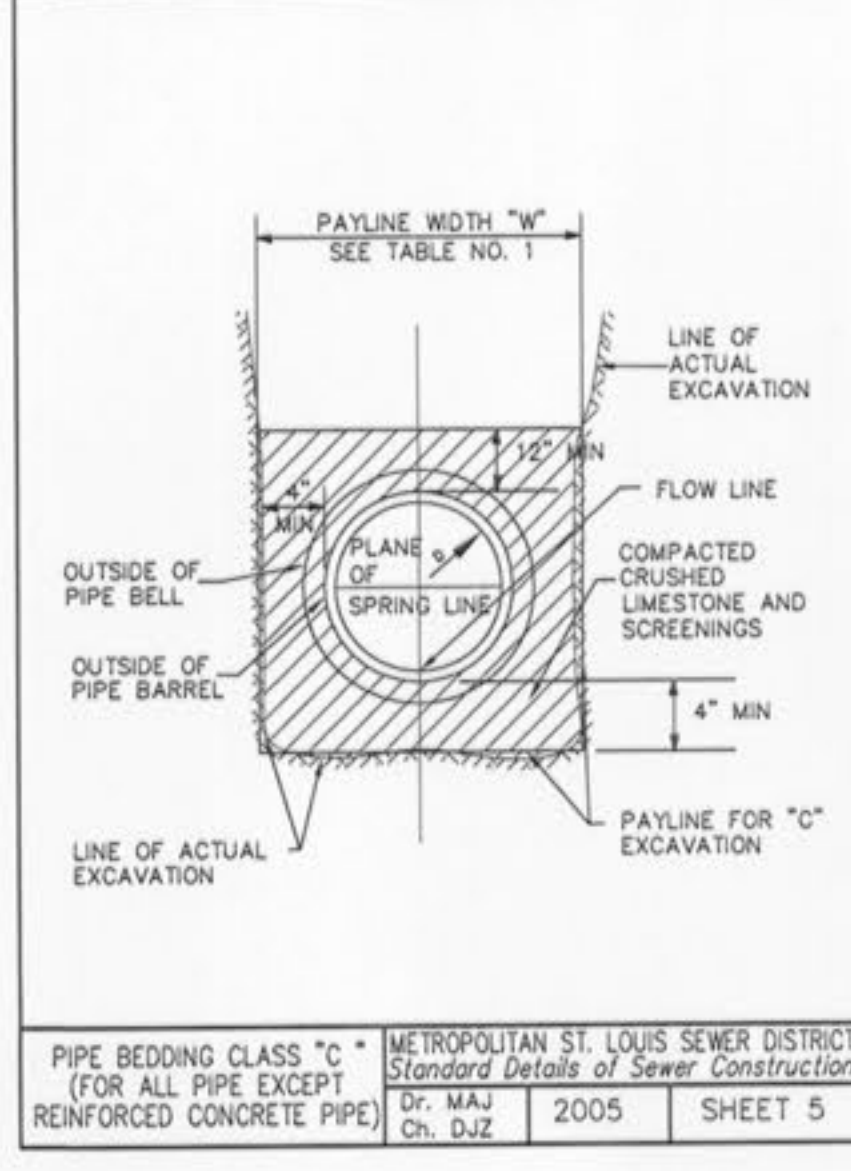
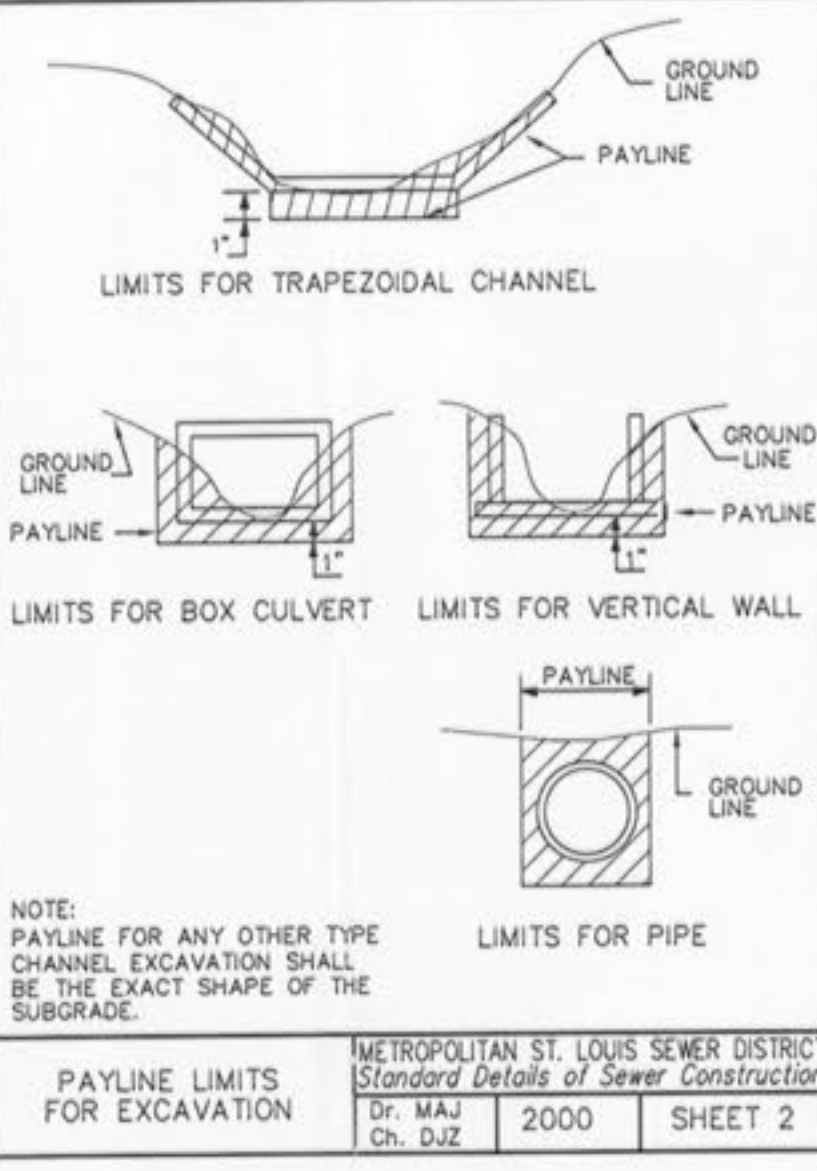


ROUND PIPE				HORIZONTAL ELLIPTICAL PIPE			
INSIDE DIAMETER OF PIPE (INCHES)	WIDTH OF TRENCH (INCHES)	PAYLINE WIDTH (INCHES)	PAYLINE DEPTH (FEET)	INSIDE WIDTHS OF PIPE (INCHES)	PAYLINE WIDTH (INCHES)	PAYLINE DEPTH (FEET)	CONCRETE ENCASEMENT
4	30	2.50	3.58				
6	30	2.50	3.87				
8	30	2.50	4.08				
10	36	2.50	4.28				
12	36	2.50	4.58				
15	36	3.00	5.53				
18	36	3.00	5.77	14 x 23	41	3.42	5.94
21	36	3.25	6.41				
24	42	3.50	7.28	15 x 30	49	4.08	7.63
27	42	3.75	8.18	22 x 34	53	4.42	8.61
30	48	4.08	9.20	24 x 38	58	4.83	9.70
36	50	4.42	10.53	27 x 42	62	5.17	10.71
36	56	4.87	11.43	28 x 43	68	5.50	11.52
39	56	5.00	12.00	30 x 48	71	5.92	12.14
42	60	5.25	13.28	34 x 53	75	6.25	14.08
48	70	5.83	15.67	38 x 60	83	6.83	16.18
54	72	6.00	16.33	43 x 66	92	7.57	18.60
60	84	7.00	20.73	48 x 78	101	8.42	21.39
66	91	7.58	23.45	53 x 83	109	9.08	24.35
72	98	8.17	26.27	58 x 91	118	9.83	27.43
78	105	8.75	29.29	63 x 98	126	10.50	30.60
84	112	9.33	32.57	68 x 106	135	11.25	33.81
90	118	9.92	35.90	72 x 113	143	11.92	36.99
96	126	10.50	39.37	77 x 121	152	12.67	40.28
102	133	11.08	42.89	82 x 128	160	13.33	44.43
108	140	11.67	46.75	87 x 136	168	14.00	47.79
114	147	12.25	50.80	92 x 143	176	14.67	51.20
120	154	12.83	54.72	97 x 151	185	15.42	54.60
126	161	13.42	58.82				
132	168	14.00	63.27	106 x 168	202	16.83	64.48
144	182	15.17	73.40	118 x 180	218	18.17	73.99



O'FALLON P&Z # 3903.01  
-MISC. SEWER CONSTRUCTION & ROAD IMPROVEMENT DETAILS-

**ENGINEERS CERTIFICATION:**  
The following applies to ALL sheets and documents involved in the preparation of the plans and documents for this project. The responsibility for Professional Engineering liability on this project is limited to the set of plans displaying the signature and an original stamped seal of the Engineer on each sheet. ALL responsibility is Disclaimed: until ALL review agency approvals are granted; for all other plan sheets issued prior to this plan set date; for this set when another set is issued after this date; if the sheets are used individually instead of a set; if the sheets are used and documents involved in this project whether this statement appears on them or not. Copyright. All Rights Reserved.

JAVRADINOS PROFESSIONAL SERVICES, INC.  
STATE OF MISSOURI  
JEREMY B. CHILTON  
NUMBER 2005000963  
JULY 2005