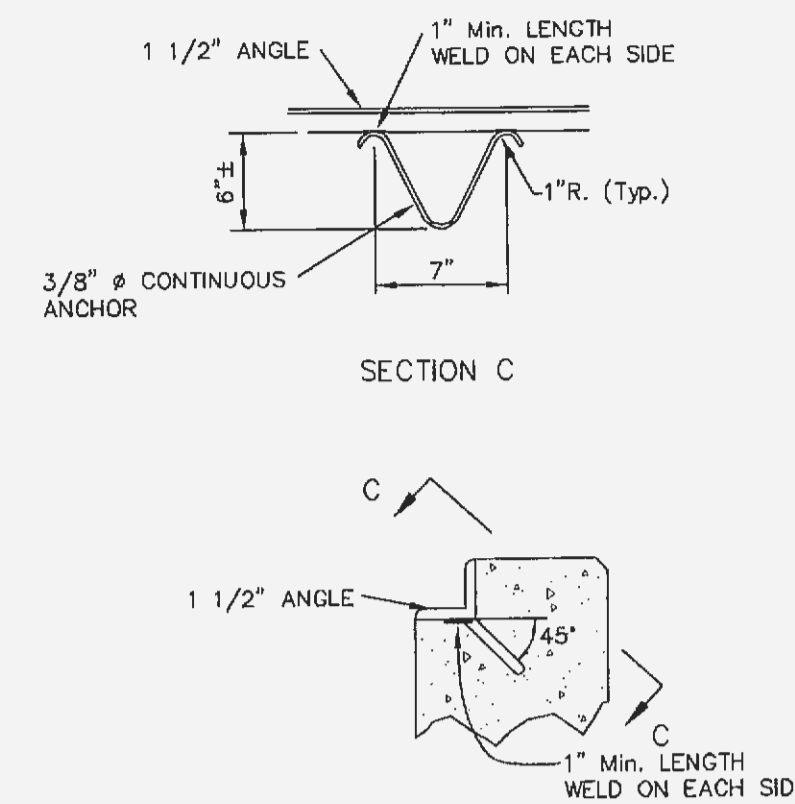


NOTES:

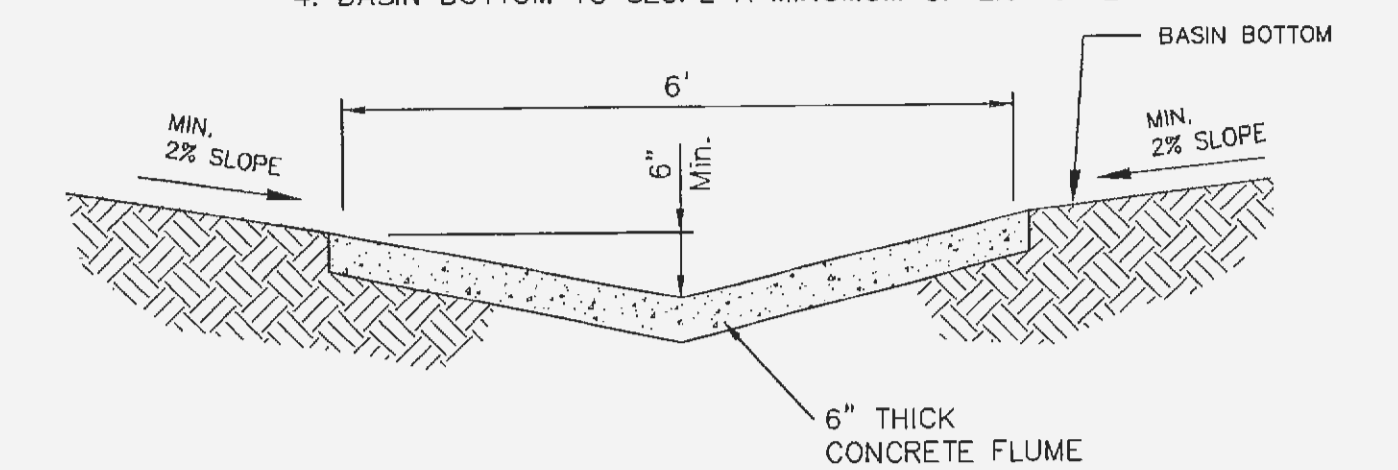
1. CONCRETE SHALL BE 3000 p.s.i. STRENGTH AT 28 DAYS.
2. 1/2" PREFORMED FIBER JOINT WITH JOINT SEALER TO BE CONSTRUCTED AS TRANSVERSE JOINT AT 50' INTERVALS.
3. MINIMUM CHANNEL SLOPE TO BE 0.5%.
4. BASIN BOTTOM TO SLOPE A MINIMUM OF 2% TO FLUME



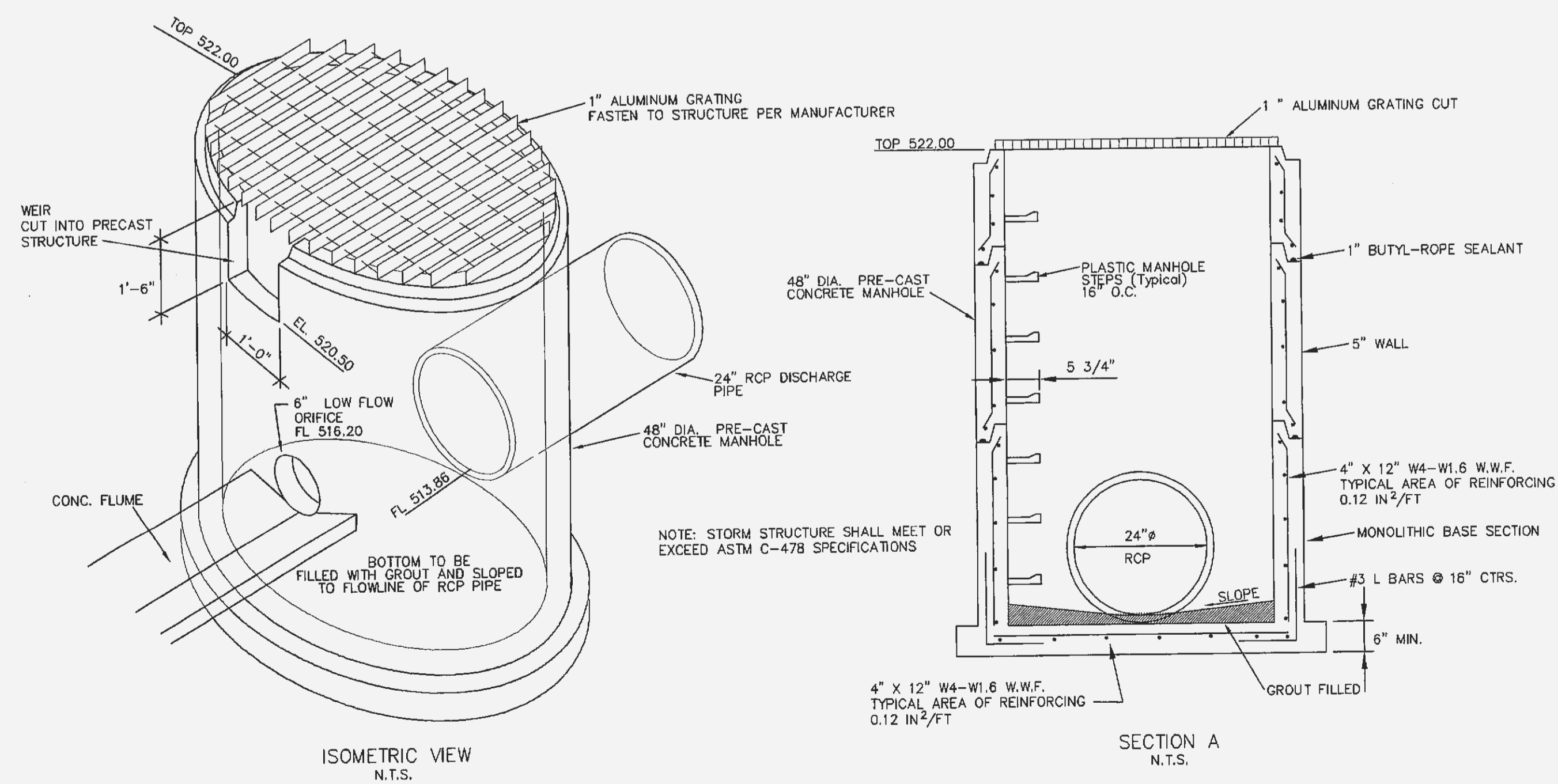
NOTE
ANGLE SEAT TO RECEIVE 2 COATS OF
EPOXY PAINT PRIOR TO INSTALLING
GRATE.

DETAIL OF CONTINUOUS
ANCHOR FOR ANGLE SEAT

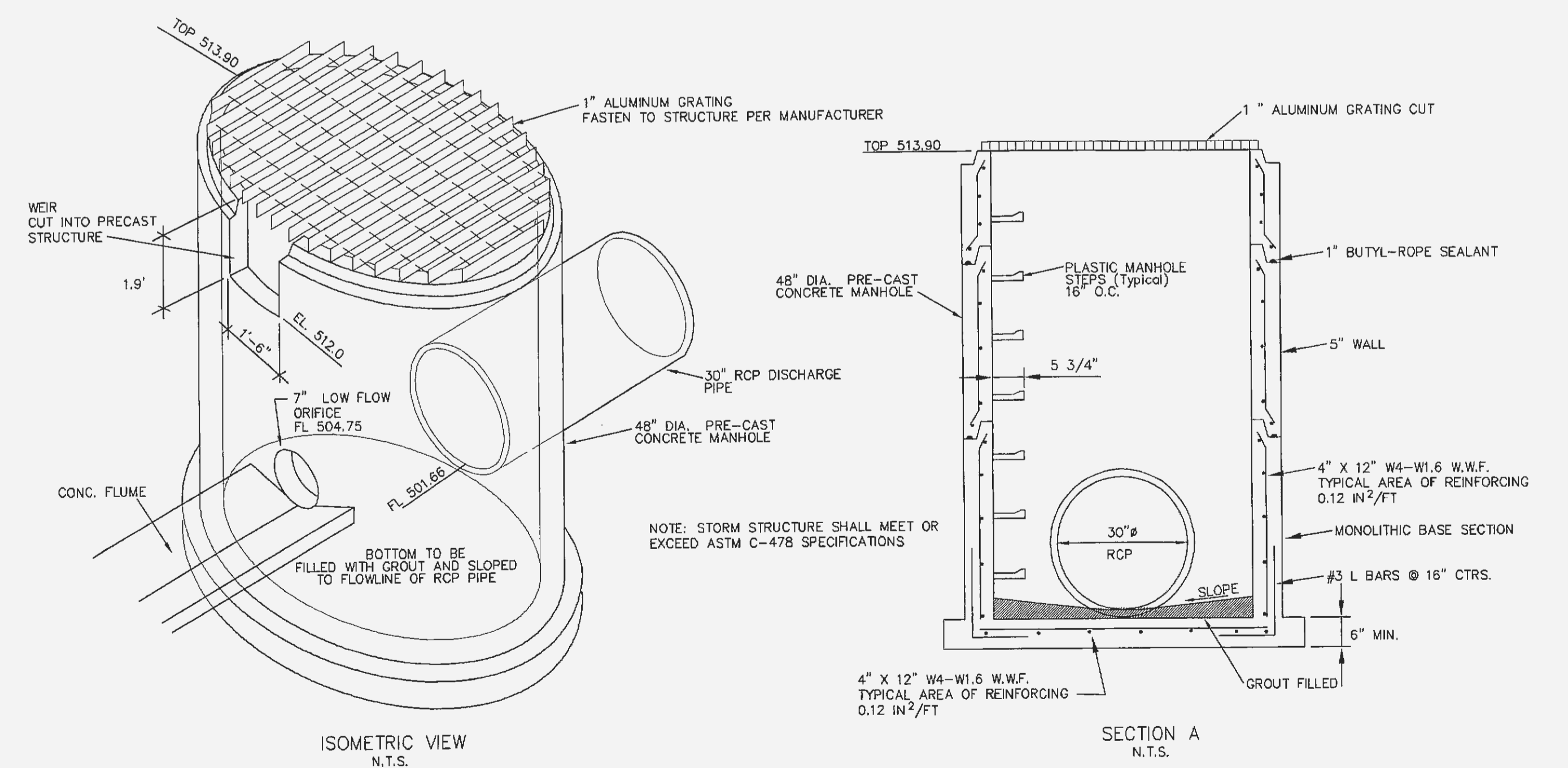
N.T.S.



DETENTION BASIN
CONCRETE FLUME DETAIL



DETENTION STRUCTURE DETAIL #1



DETENTION STRUCTURE DETAIL #2