

VEGETATIVE ESTABLISHMENT FOR URBAN DEVELOPMENT SITES

APPENDIX A

Seeding Rates:
 Permanent:
 Tall Fescue - 30 lbs./ac.
 Smooth Brome - 20 lbs./ac.
 Combined: Fescue @ 15 lbs./ac. and Brome @ 10 lbs./ac.

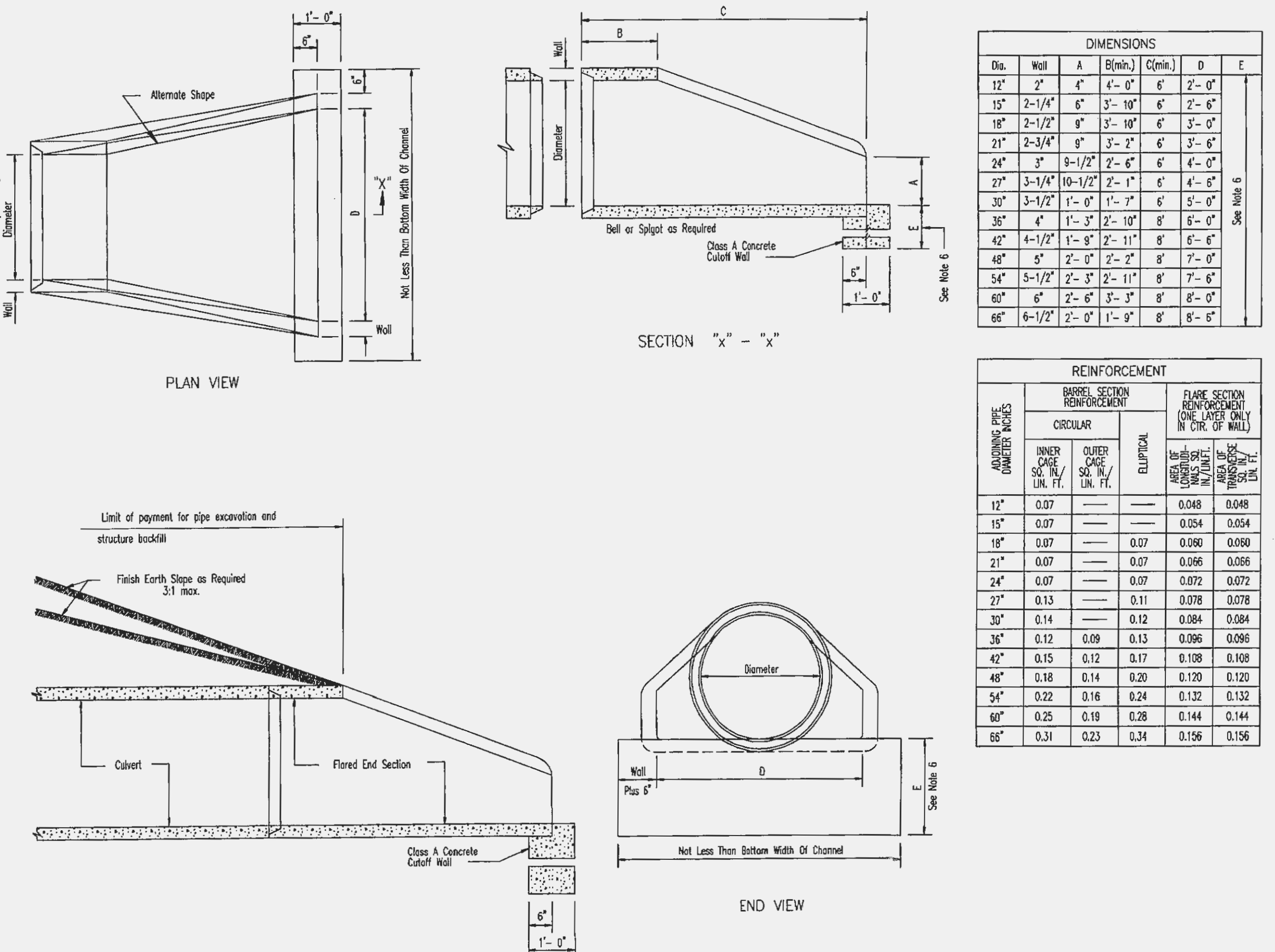
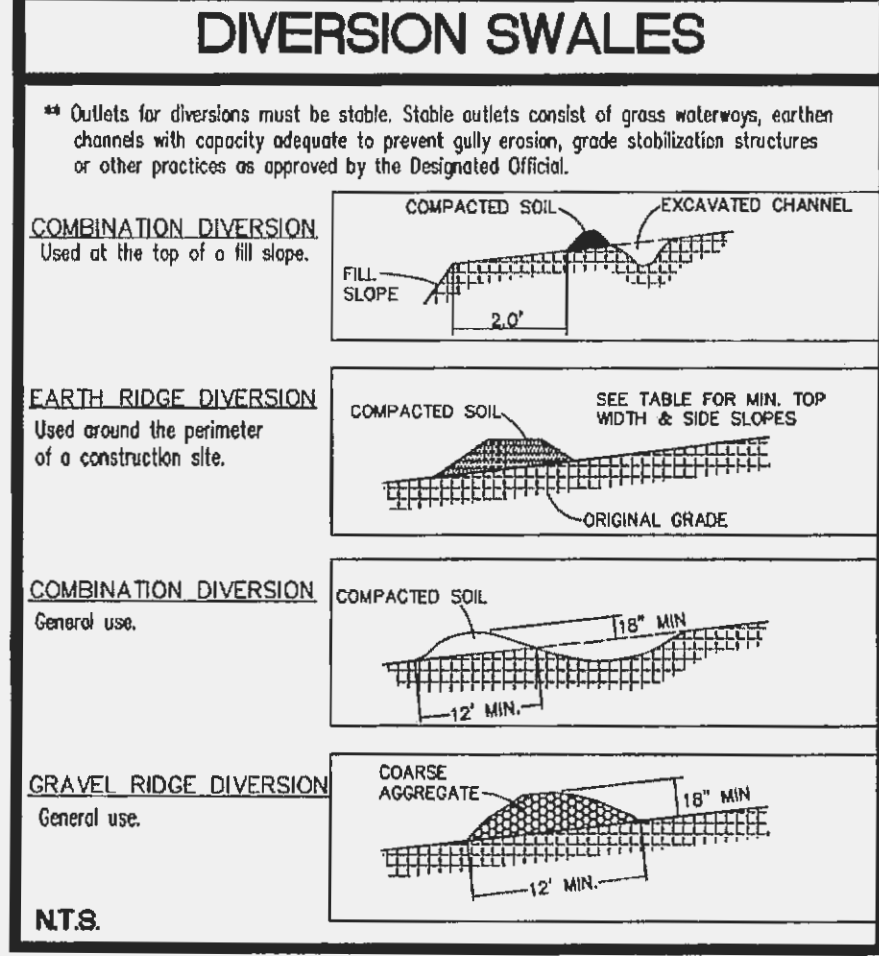
Temporary:
 Wheat or Rye - 150 lbs./ac (3.5 lbs. per 1000 sq. ft.)
 Oats - 120 lbs./ac (2.75 lbs. per 1000 sq. ft.)

Seeding Periods:
 Fescue or Brome March 1 to June 1
 August 1 to October 1
 Wheat or Rye March 15 to November 1
 Oats March 15 to September 15

Mulch Rates:
 100 lbs. Per 1,000 sq. ft. (4,356 lbs. per acre)

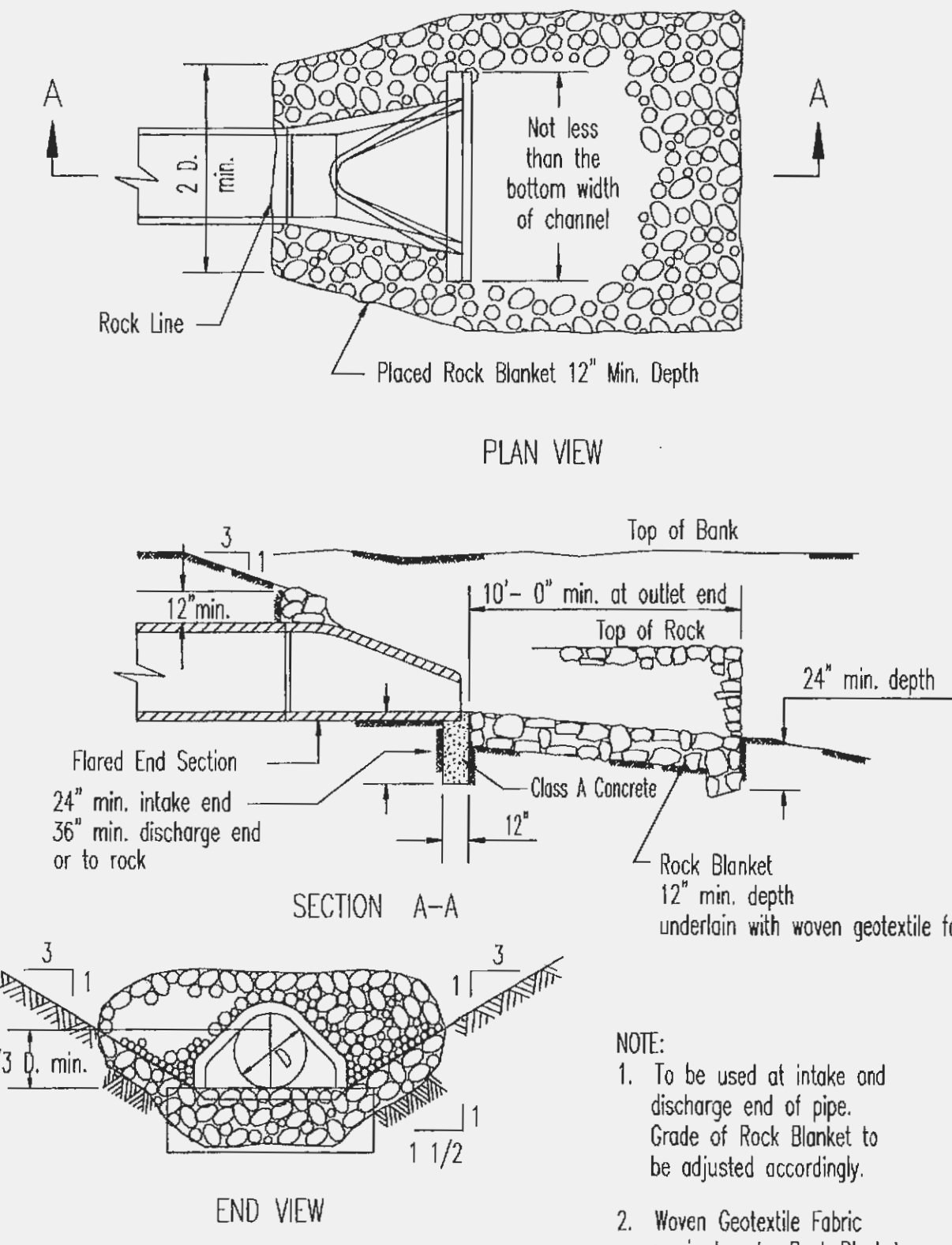
Fertilizer Rates:
 Nitrogen 30 lbs./ac.
 Phosphorus 30 lbs./ac.
 Potassium 30 lbs./ac.
 Lime 600 lbs./ac. ENM*

*ENM - Effective Neutralizing Material as per State evaluation of quarried rock.



GENERAL NOTES

- Do not scale drawing. Follow dimensions.
- Slight variations in both shape and dimensions from those shown may be accepted if approved by the Engineer.
- Not more than three lift holes may be drilled or cast in the End Section for handling and laying.
- Lift lugs or bars will be permitted in precast Cutoff Walls.
- Cutoff Wall may be cast-in-place or precast.
- Cutoff Wall to be constructed a minimum of 2' at intake end and 3' at outlet end or to rock.
- For construction details refer to the Sewer Construction Details for Channels, Culverts and Large Sewer Connections, Std. Des. C204.41.
- The details shown are adapted from the Missouri Department of Transportation, Standard Drawings.



SAINT CHARLES COUNTY
 HIGHWAY DEPARTMENT
 ST. CHARLES, MISSOURI

SEWER CONSTRUCTION DETAILS
FLARED END SECTION (PRECAST CONCRETE)

DATE: June, 2002 DRAWING C604.40

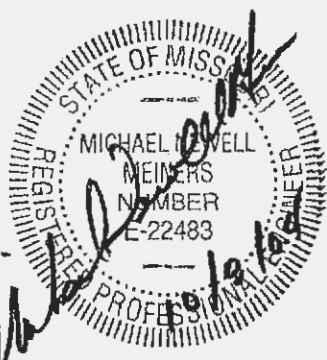
SAINT CHARLES COUNTY
 HIGHWAY DEPARTMENT
 ST. CHARLES, MISSOURI
 SEWER CONSTRUCTION DETAILS
FLARED END SECTION (INLET/OUTLET PROTECTION)

DATE: September, 2002 DRAWING C604.42

LAUREL SPRINGS
 STORM/GRADING DETAILS
 IMPROVEMENT PLAN

ST. CHARLES ENGINEERING & SURVEYING, INC.
 801 S. FIFTH STREET, SUITE 202
 ST. CHARLES, MO 63301
 TEL: (636) 947-0607 FAX: (636) 947-2448

S E S



ORDER NO. 080849
 DATE 08/13/04
 D-7