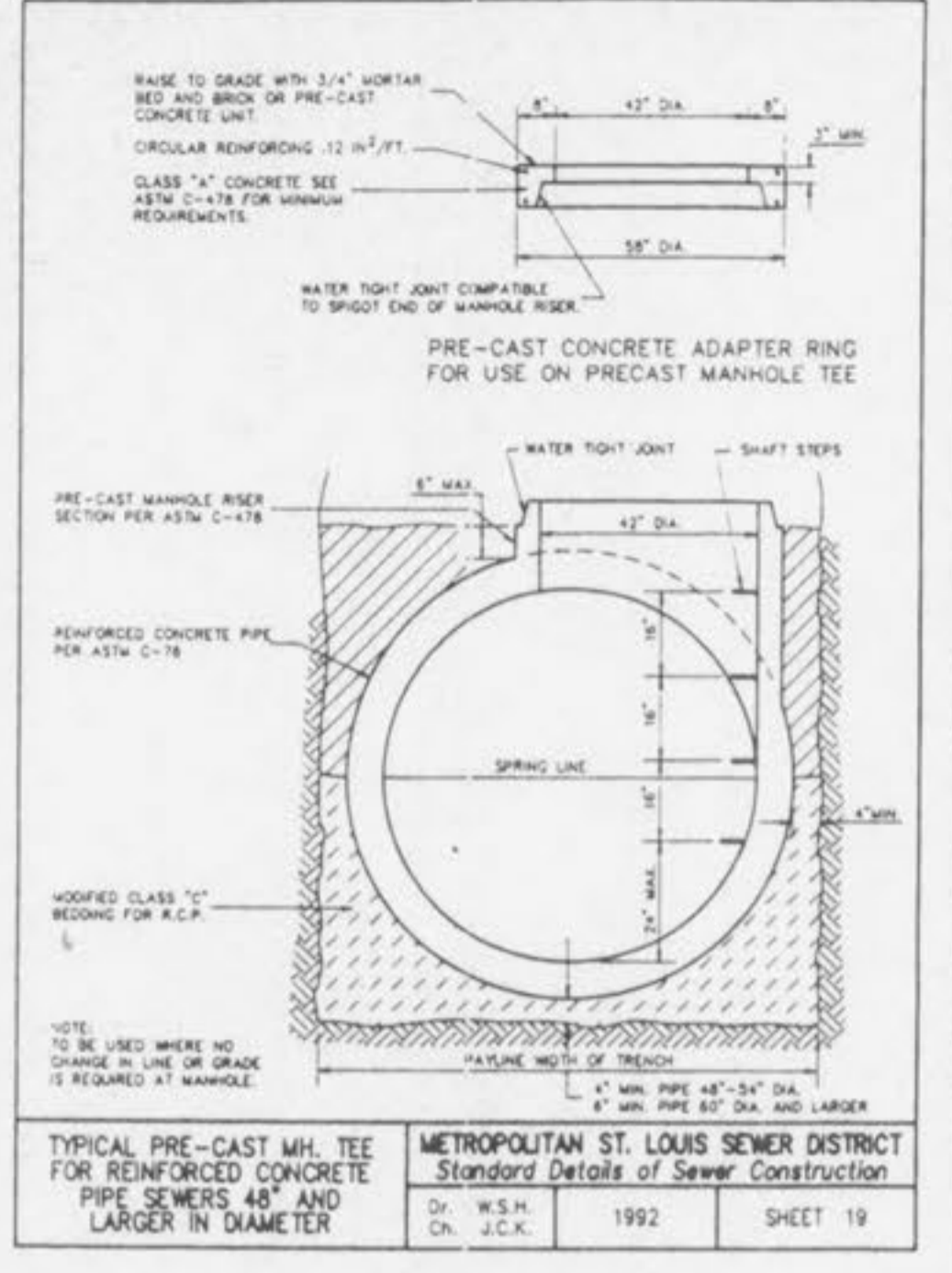
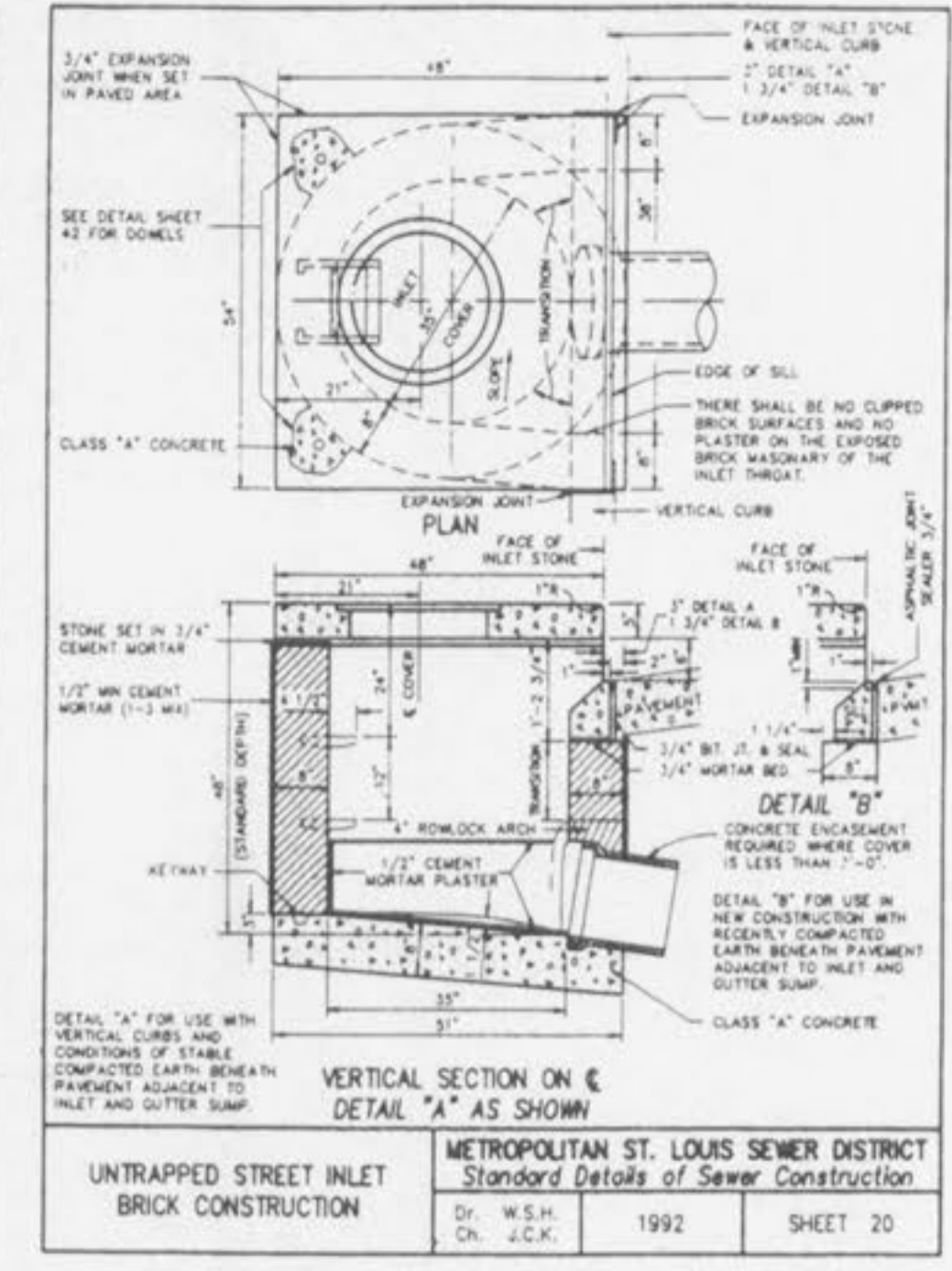


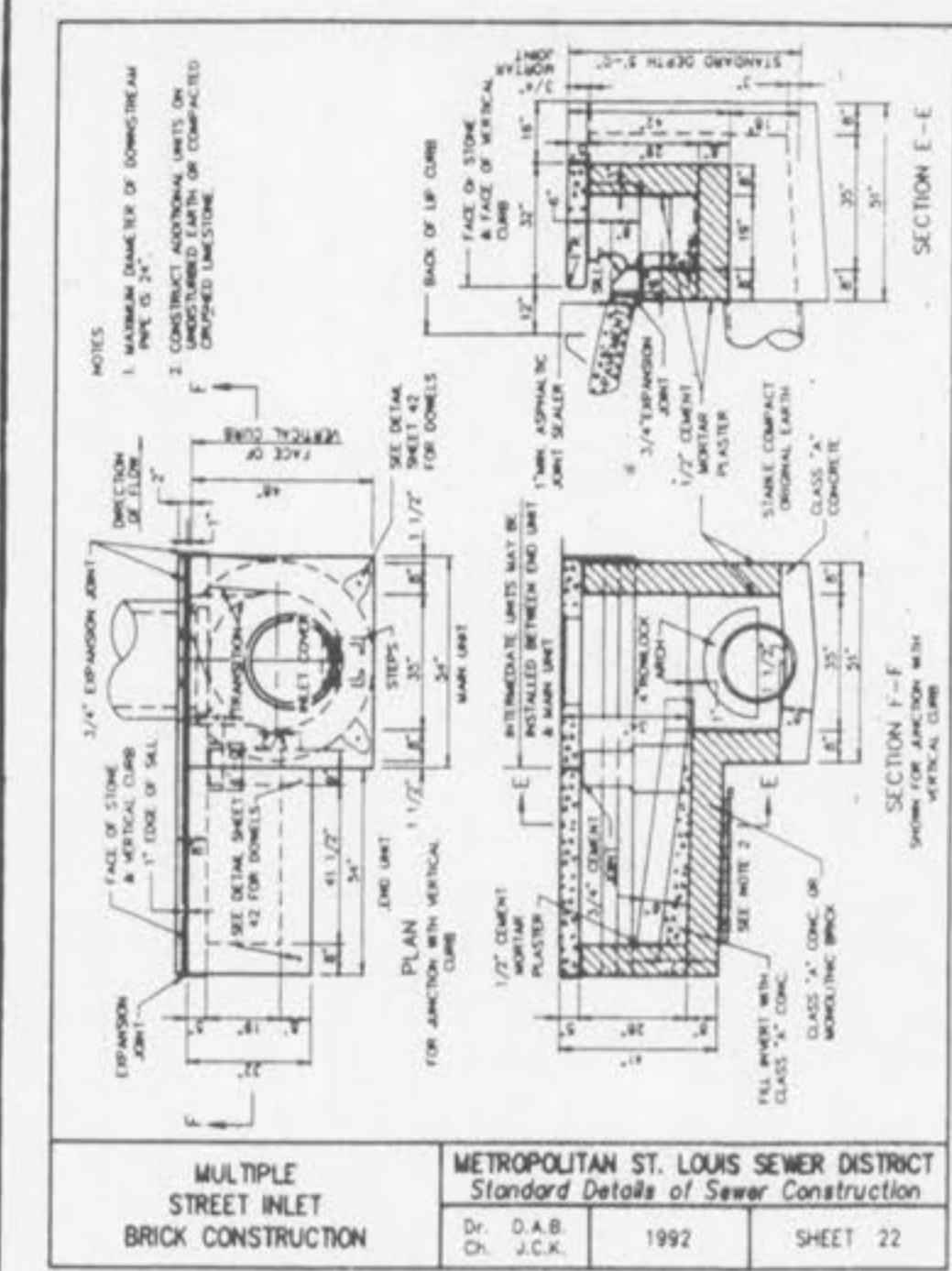
**CONSTRUCTION DETAILS**



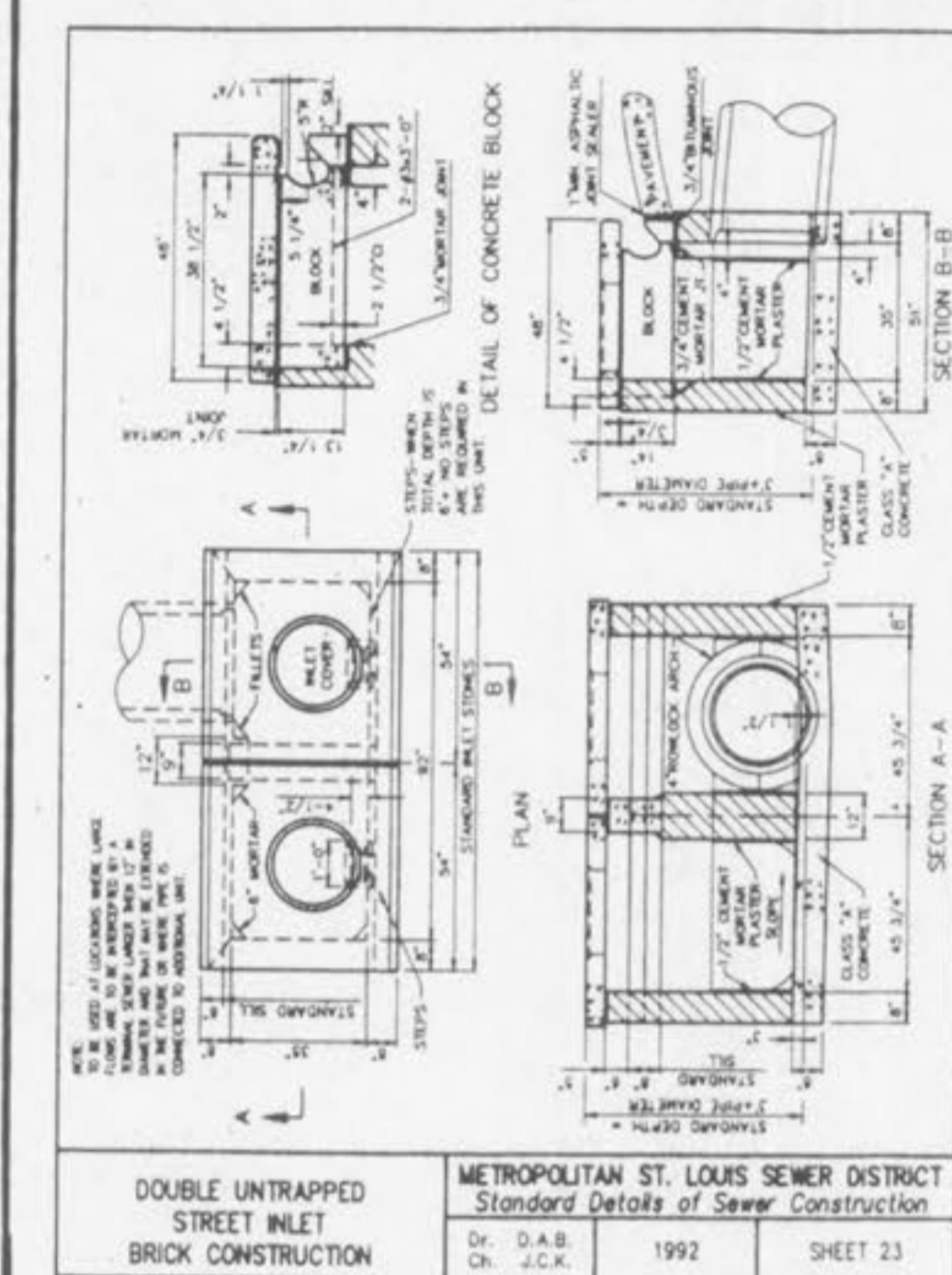
**TYPICAL PRE-CAST MH. TEE FOR PRECAST CONCRETE PIPE SEWERS 48\"/>**



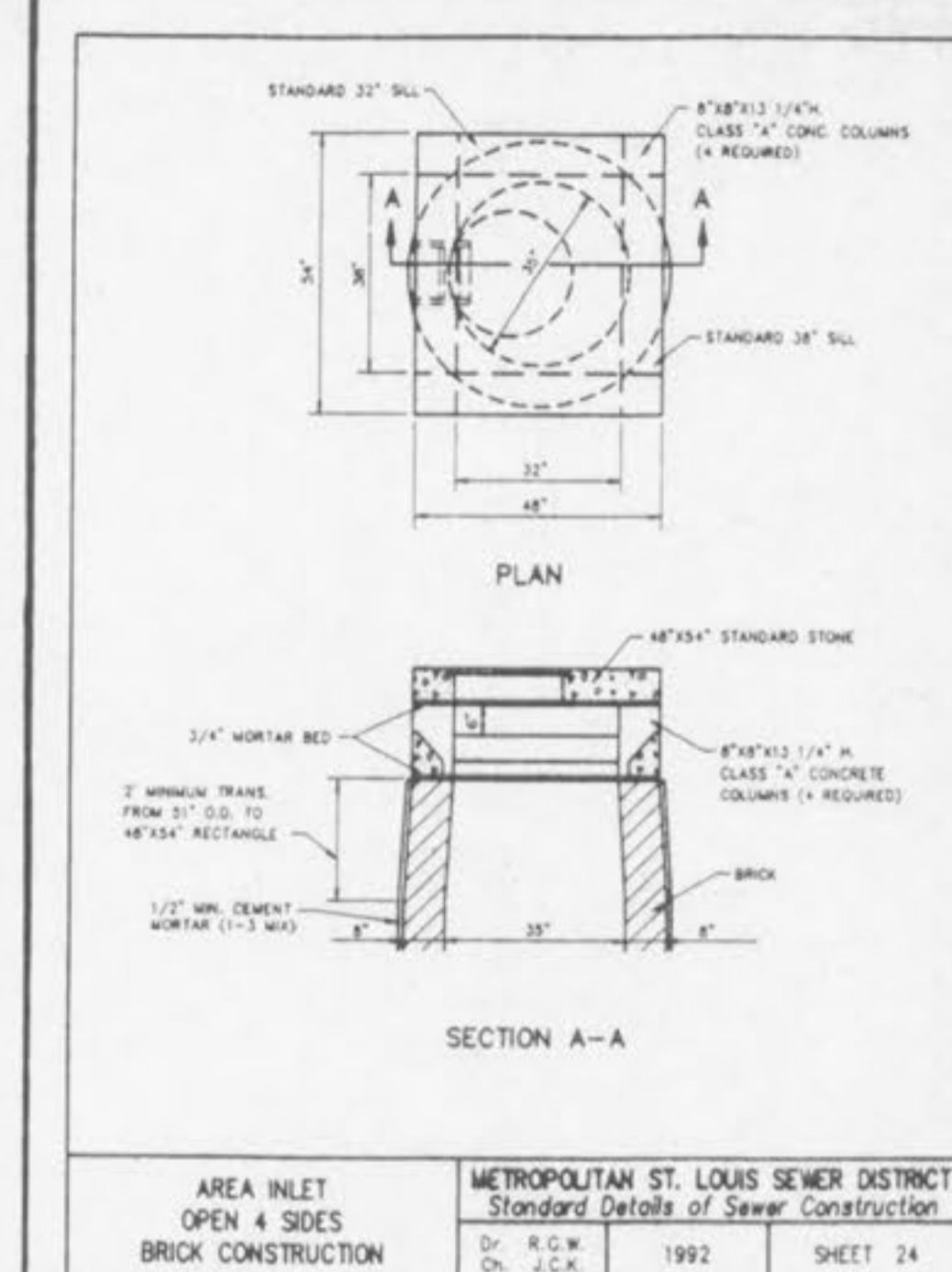
**UNTRAPPED STREET INLET BRICK CONSTRUCTION METROPOLITAN ST. LOUIS SEWER DISTRICT Standard Details of Sewer Construction**  
 Dr. W.S.H. 1992 SHEET 20  
 Ch. J.C.K.



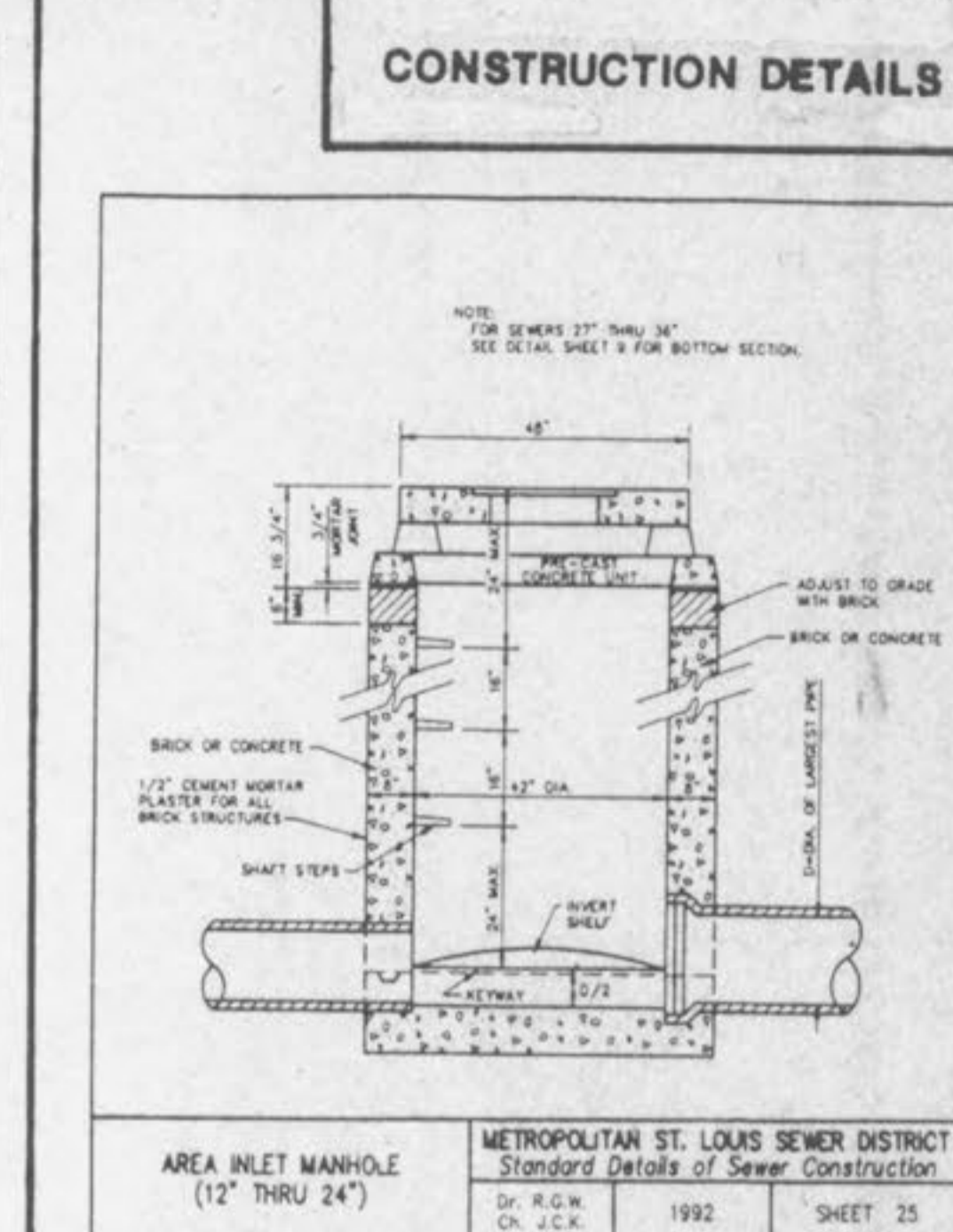
**MULTIPLE STREET INLET BRICK CONSTRUCTION METROPOLITAN ST. LOUIS SEWER DISTRICT Standard Details of Sewer Construction**  
 Dr. D.A.B. 1992 SHEET 22  
 Ch. J.C.K.



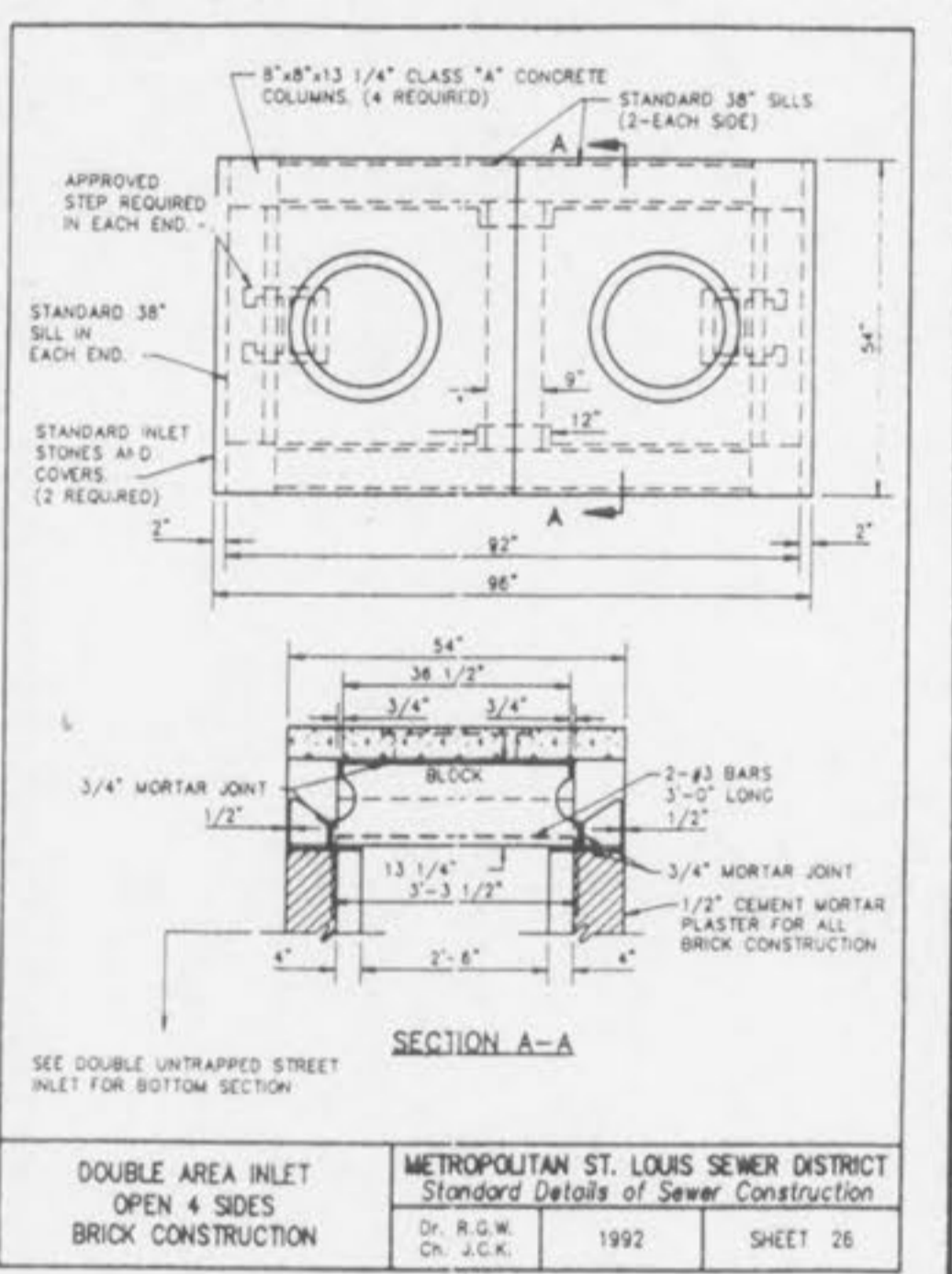
**DOUBLE UNTRAPPED STREET INLET BRICK CONSTRUCTION METROPOLITAN ST. LOUIS SEWER DISTRICT Standard Details of Sewer Construction**  
 Dr. D.A.B. 1992 SHEET 23  
 Ch. J.C.K.



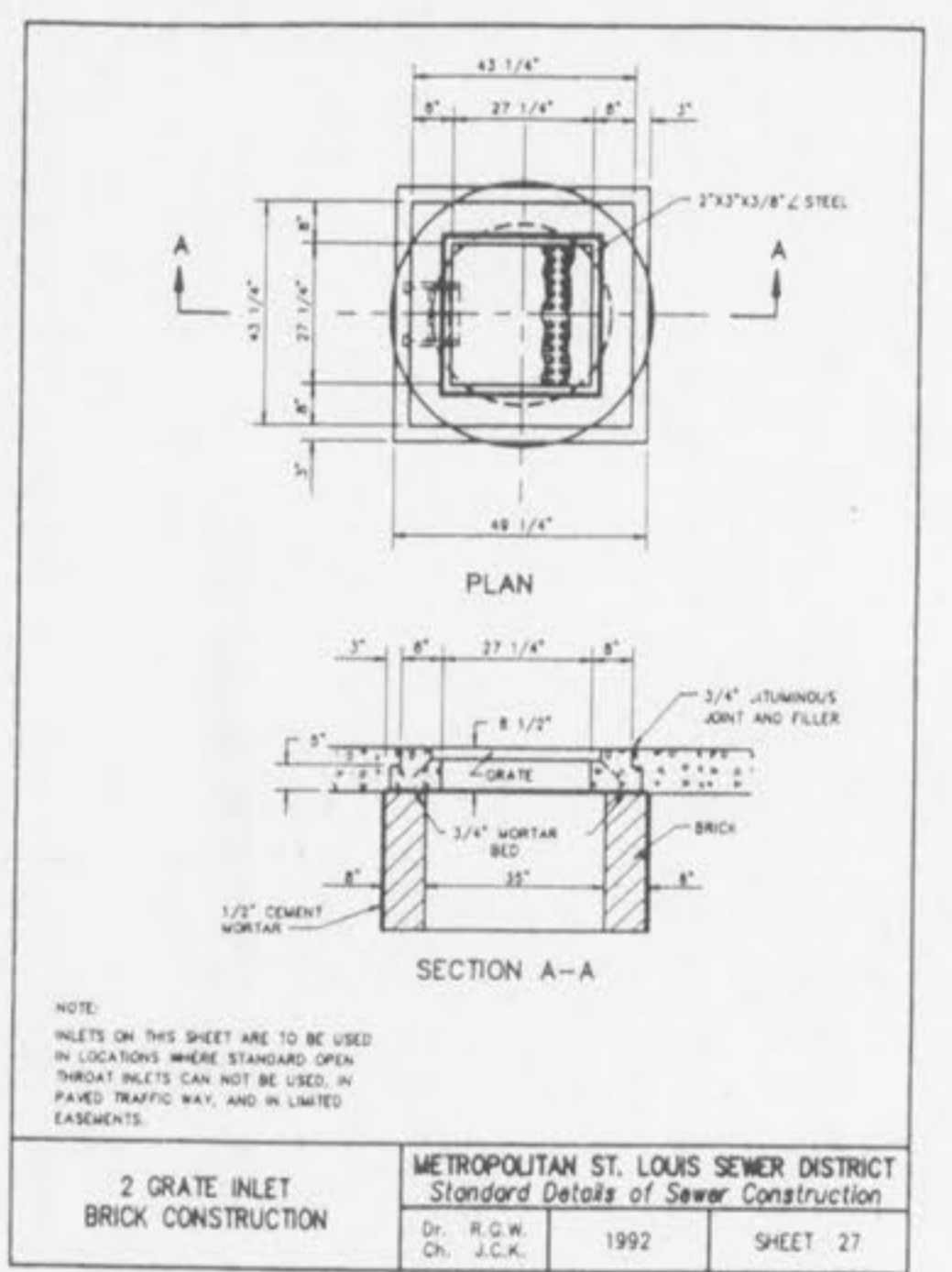
**AREA INLET OPEN 4 SIDES BRICK CONSTRUCTION METROPOLITAN ST. LOUIS SEWER DISTRICT Standard Details of Sewer Construction**  
 Dr. R.G.W. 1992 SHEET 24  
 Ch. J.C.K.



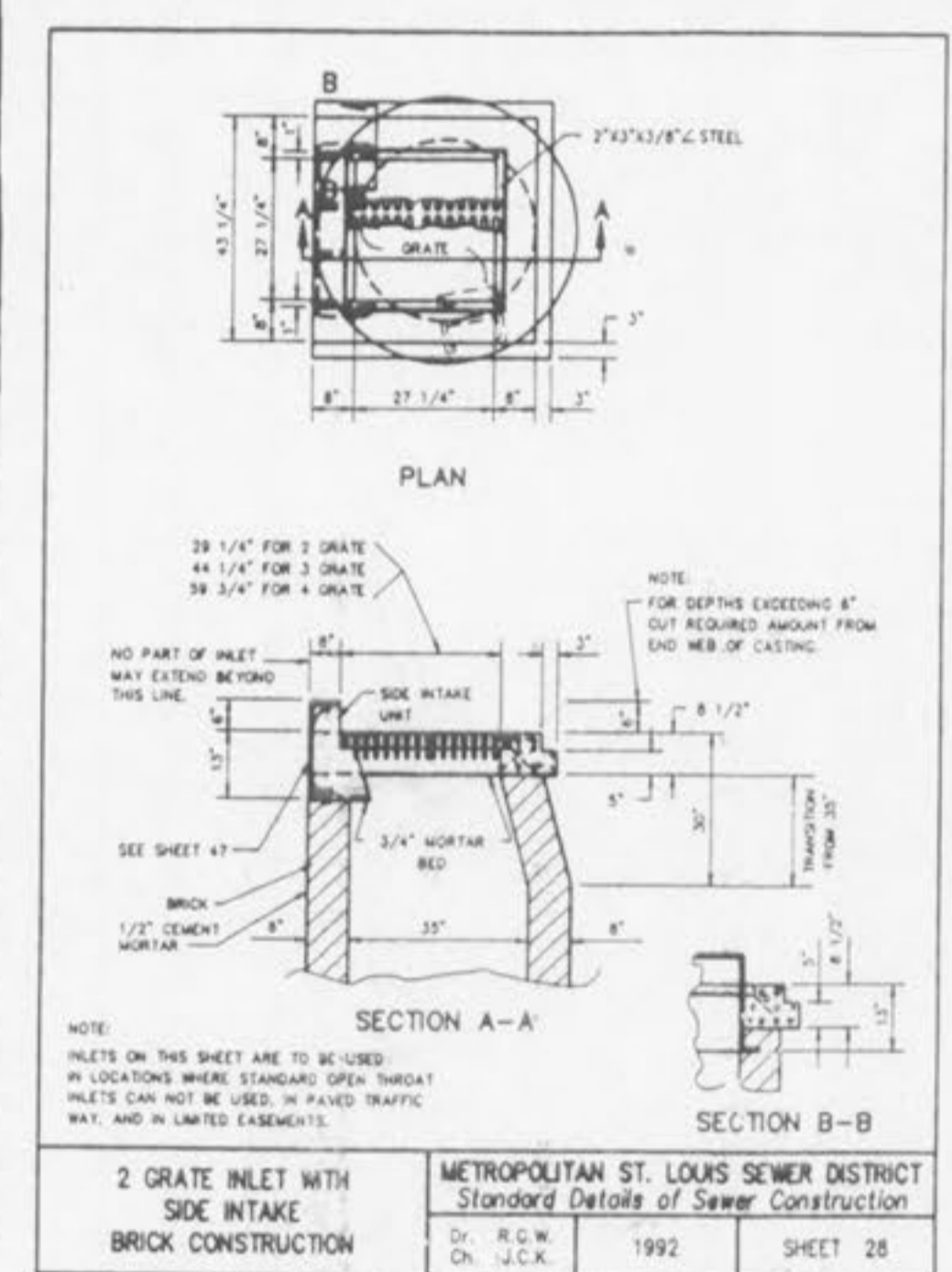
**AREA INLET MANHOLE (12\"/>**



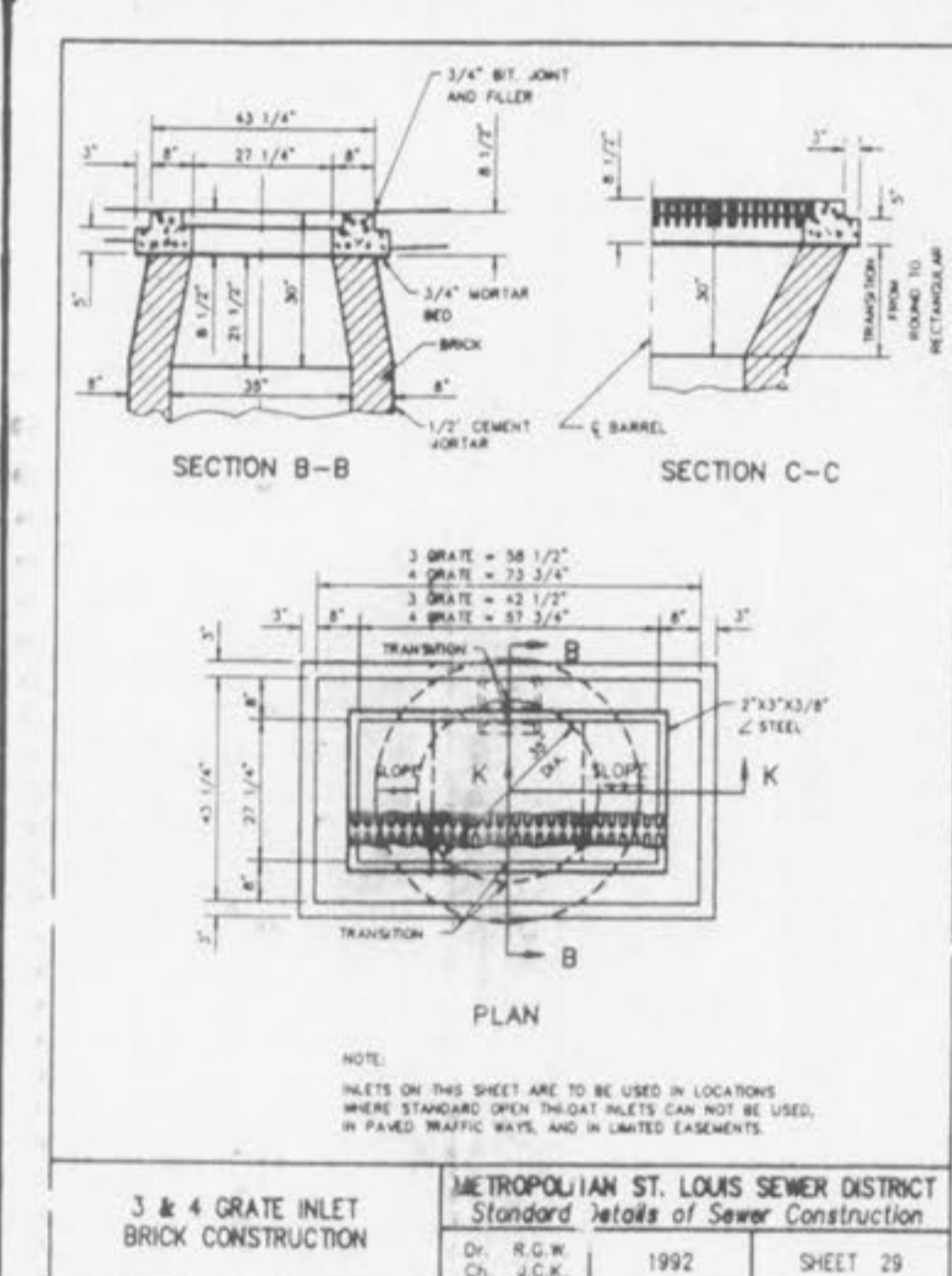
**DOUBLE AREA INLET OPEN 4 SIDES BRICK CONSTRUCTION METROPOLITAN ST. LOUIS SEWER DISTRICT Standard Details of Sewer Construction**  
 Dr. R.G.W. 1992 SHEET 26  
 Ch. J.C.K.



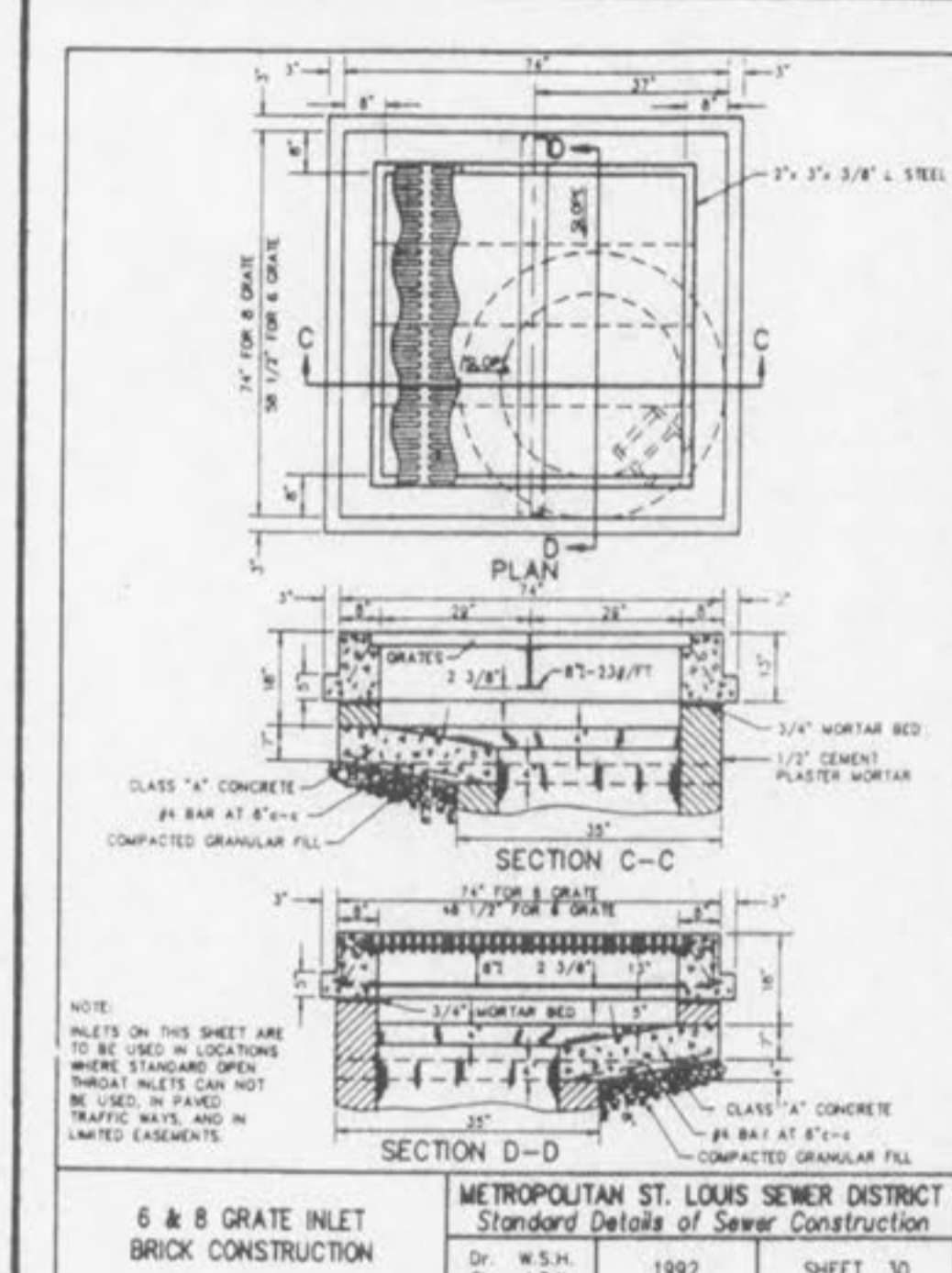
**2 GRATE INLET BRICK CONSTRUCTION METROPOLITAN ST. LOUIS SEWER DISTRICT Standard Details of Sewer Construction**  
 Dr. R.G.W. 1992 SHEET 27  
 Ch. J.C.K.



**2 GRATE INLET WITH SIDE INTAKE BRICK CONSTRUCTION METROPOLITAN ST. LOUIS SEWER DISTRICT Standard Details of Sewer Construction**  
 Dr. R.G.W. 1992 SHEET 28  
 Ch. J.C.K.



**3 & 4 GRATE INLET BRICK CONSTRUCTION METROPOLITAN ST. LOUIS SEWER DISTRICT Standard Details of Sewer Construction**  
 Dr. R.G.W. 1992 SHEET 29  
 Ch. J.C.K.



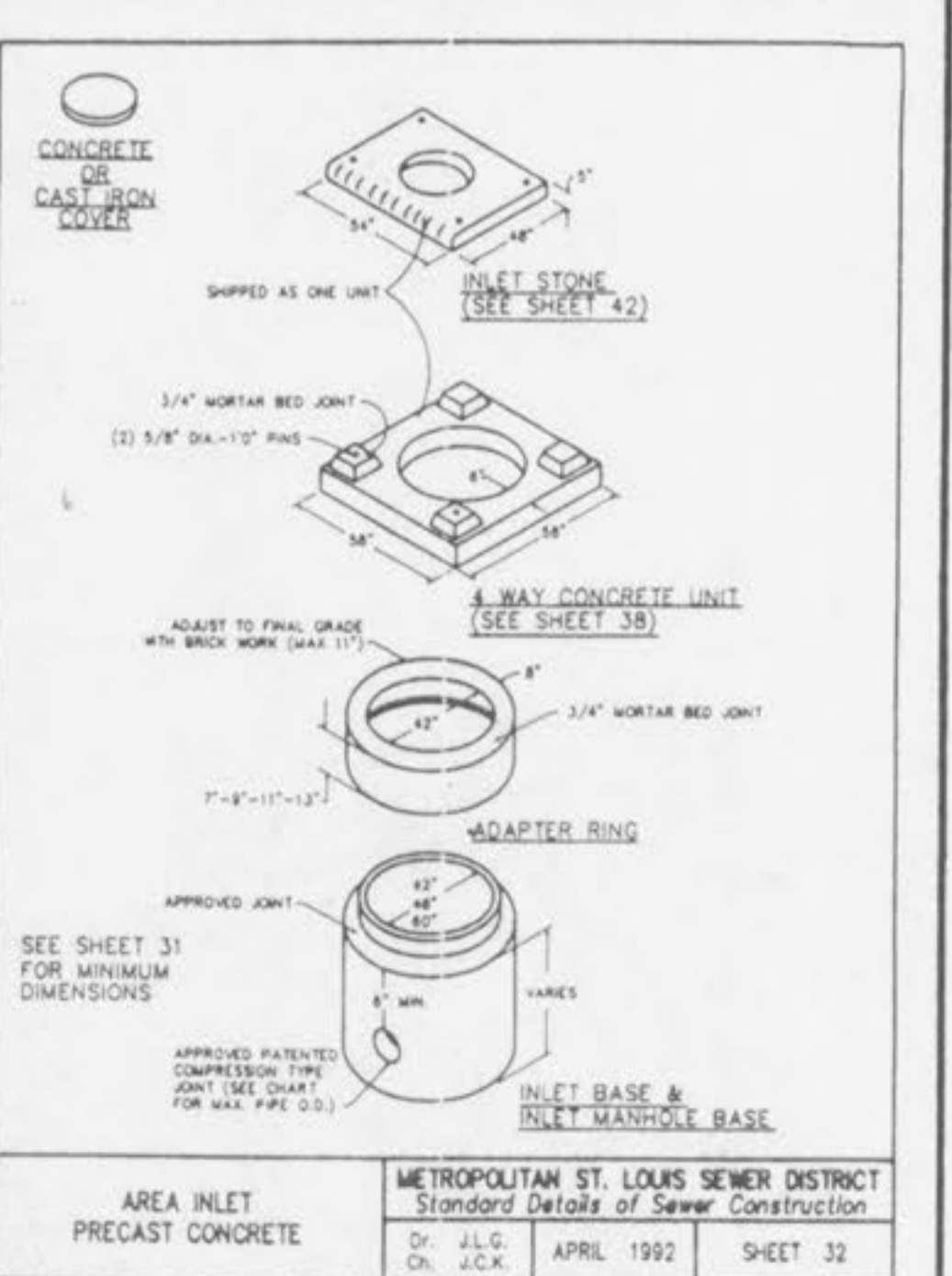
**6 & 8 GRATE INLET BRICK CONSTRUCTION METROPOLITAN ST. LOUIS SEWER DISTRICT Standard Details of Sewer Construction**  
 Dr. W.S.H. 1992 SHEET 30  
 Ch. J.C.K.

**PRECAST CONCRETE STORMWATER STRUCTURES**  
 MINIMUM DISTANCE FLOORLINE TO TOP OF STONE OR GRATE

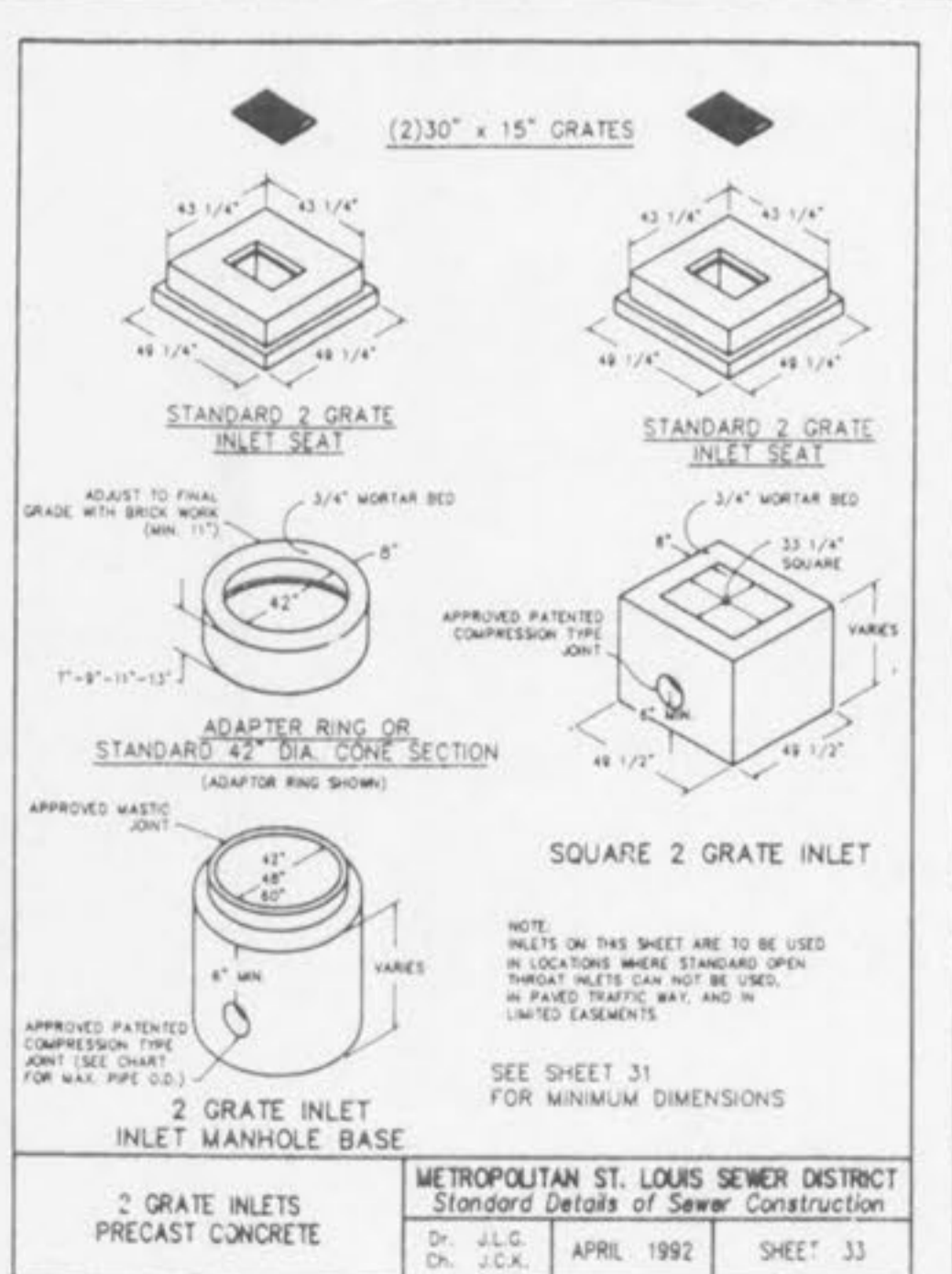
PIPE ID NOMINAL INCHES	AREA INLET CIRCULAR BASE DIA.	4 GRATE INLET SQUARE CIRCULAR BASE DIA.	SHALL DEPTH RECTANGULAR
12"	24" x 24" (MAX)	24" x 24" (MAX)	48"
15"	30" x 30" (MAX)	30" x 30" (MAX)	48"
18"	36" x 36" (MAX)	36" x 36" (MAX)	48"
21"	42" x 42" (MAX)	42" x 42" (MAX)	48"
24"	48" x 48" (MAX)	48" x 48" (MAX)	48"
27"	54" x 54" (MAX)	54" x 54" (MAX)	48"
30"	60" x 60" (MAX)	60" x 60" (MAX)	48"
33"	66" x 66" (MAX)	66" x 66" (MAX)	48"

NOTE: 48" DIA. BASE REQUIRES 3" HIGH TRANSITION SECTION TO 42" DIA. SIMILAR TO "ADAPTER RING" SHEET 32.  
 2 80" DIA. BASE REQUIRES 3" HIGH CONCENTRIC REDUCER TRANSITION TO 42" DIA. SIMILAR TO "ADAPTER RING" SHEET 32.

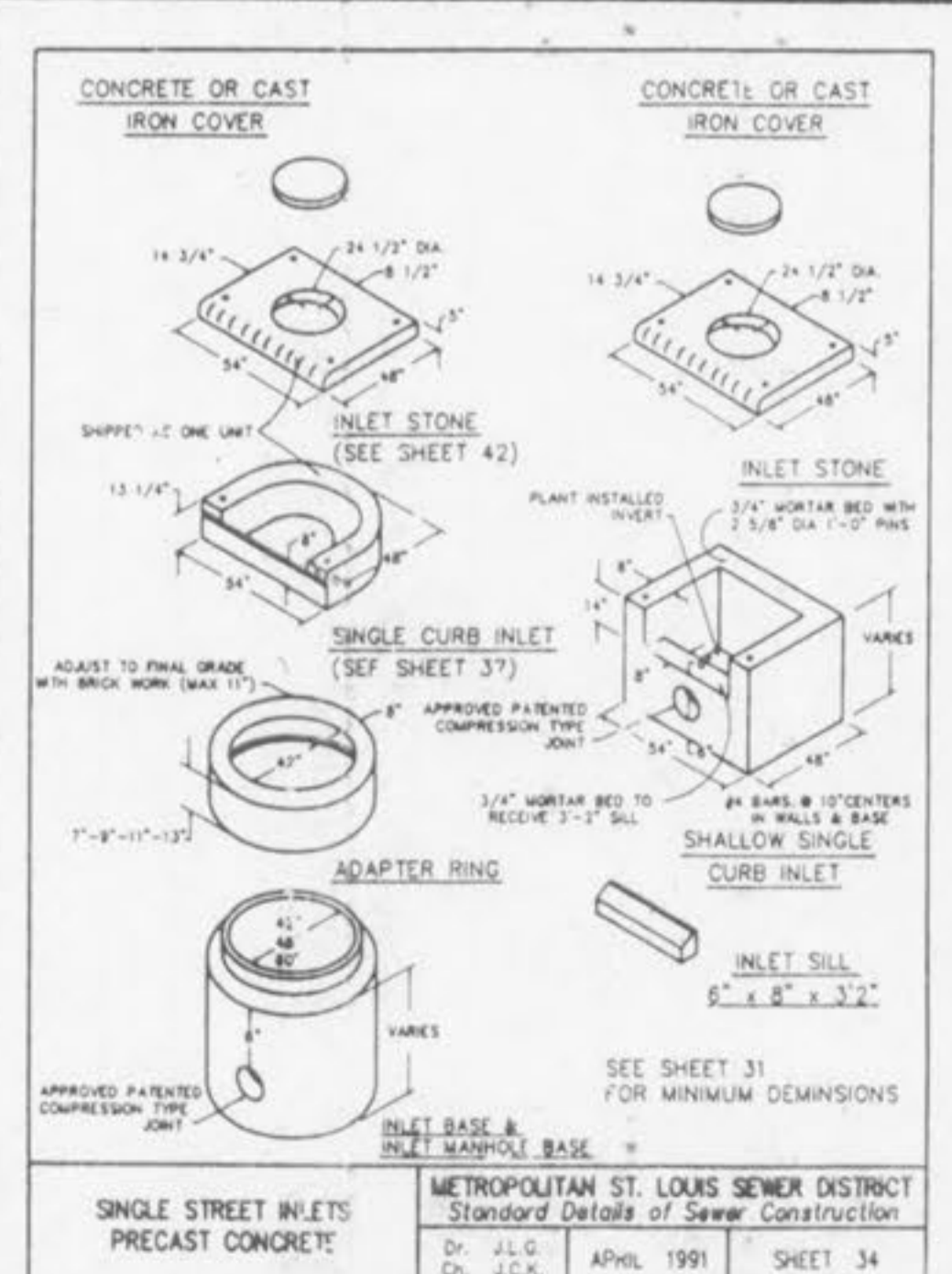
**PRECAST CONCRETE STORMWATER STRUCTURES METROPOLITAN ST. LOUIS SEWER DISTRICT Standard Details of Sewer Construction**  
 Dr. J.L.G. SEPT. 1990 SHEET 31  
 Ch. J.C.K.



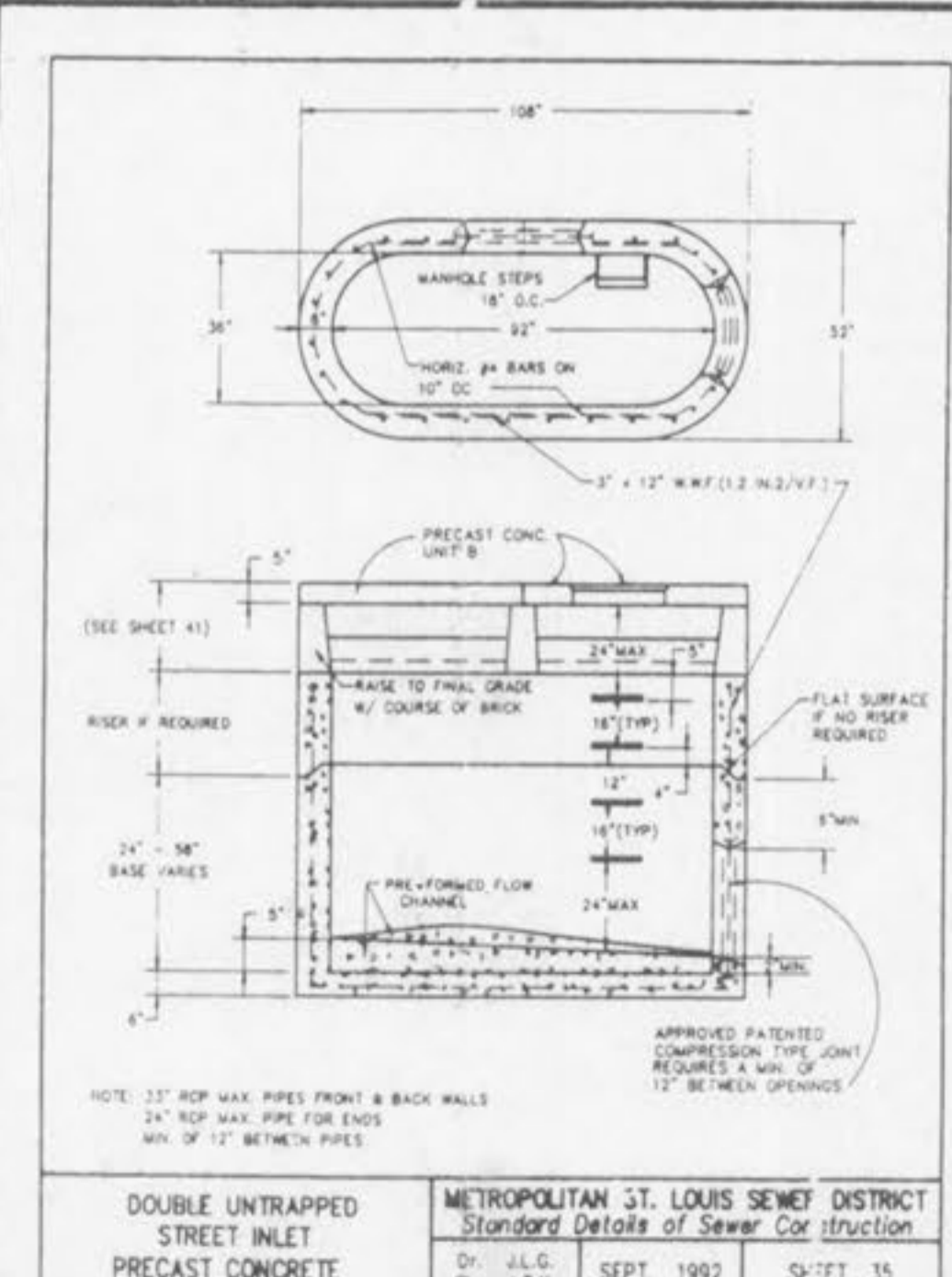
**AREA INLET PRECAST CONCRETE METROPOLITAN ST. LOUIS SEWER DISTRICT Standard Details of Sewer Construction**  
 Dr. J.L.G. APRIL 1992 SHEET 32  
 Ch. J.C.K.



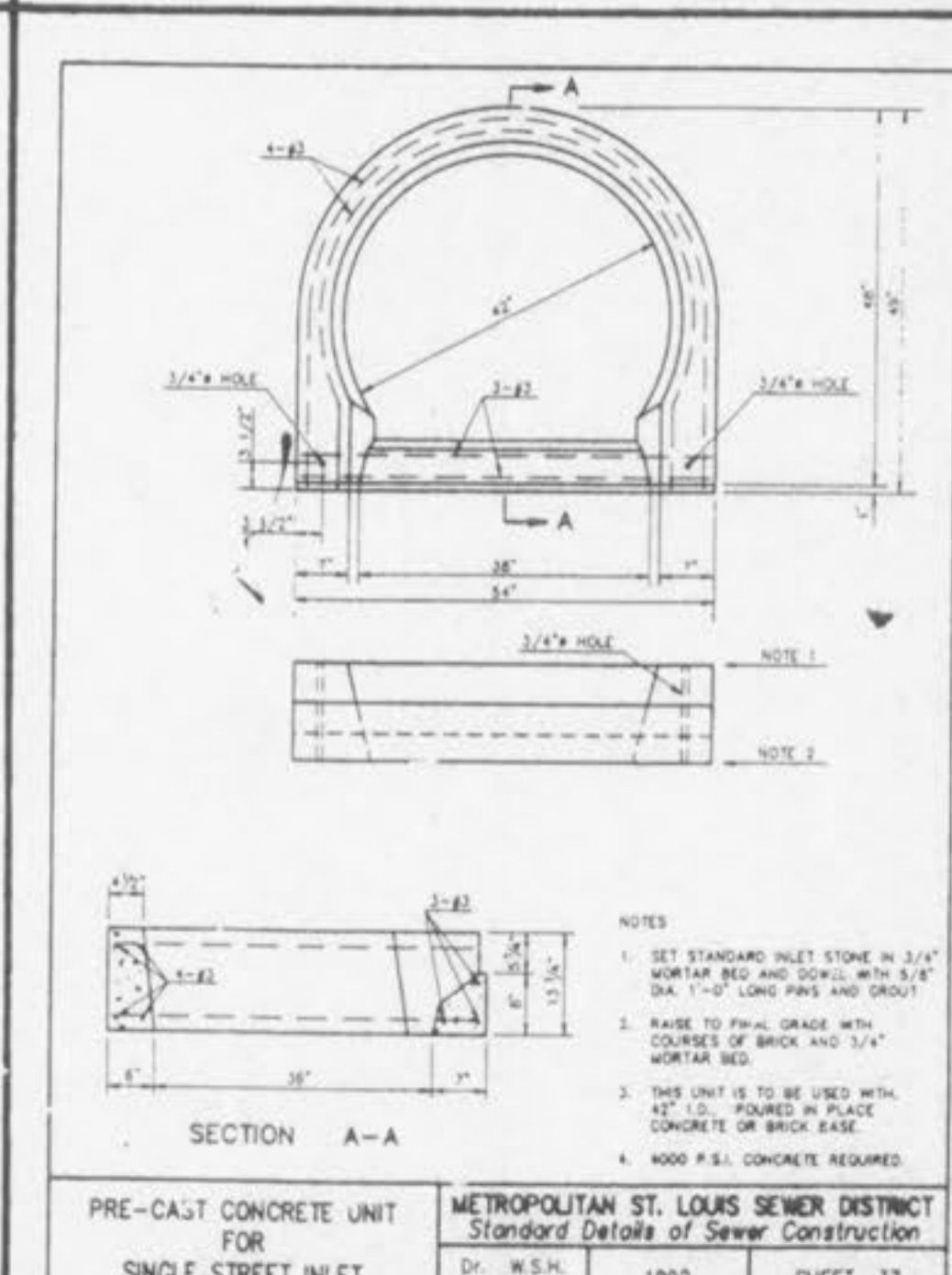
**2 GRATE INLETS PRECAST CONCRETE METROPOLITAN ST. LOUIS SEWER DISTRICT Standard Details of Sewer Construction**  
 Dr. J.L.G. APRIL 1992 SHEET 33  
 Ch. J.C.K.



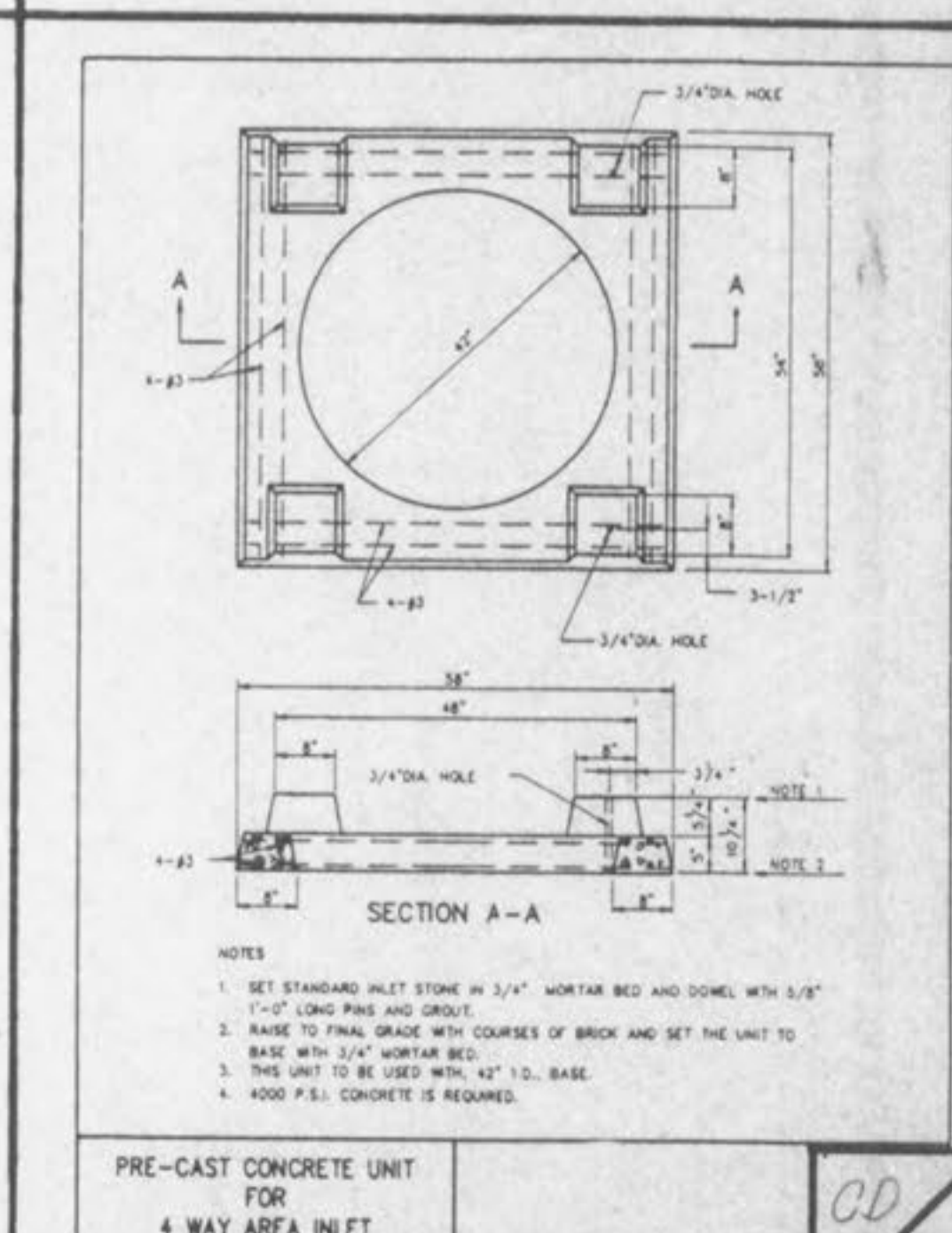
**SINGLE STREET INLETS PRECAST CONCRETE METROPOLITAN ST. LOUIS SEWER DISTRICT Standard Details of Sewer Construction**  
 Dr. J.L.G. APRIL 1991 SHEET 34  
 Ch. J.C.K.



**DOUBLE UNTRAPPED STREET INLET PRECAST CONCRETE METROPOLITAN ST. LOUIS SEWER DISTRICT Standard Details of Sewer Construction**  
 Dr. J.L.G. SEPT 1992 SHEET 35  
 Ch. J.C.K.



**PRE-CAST CONCRETE UNIT FOR SINGLE STREET INLET METROPOLITAN ST. LOUIS SEWER DISTRICT Standard Details of Sewer Construction**  
 Dr. W.S.H. 1992 SHEET 37  
 Ch. J.C.K.



**PRE-CAST CONCRETE UNIT FOR 4 WAY AREA INLET METROPOLITAN ST. LOUIS SEWER DISTRICT Standard Details of Sewer Construction**  
 Dr. W.S.H. 1992 SHEET 38  
 Ch. J.C.K.