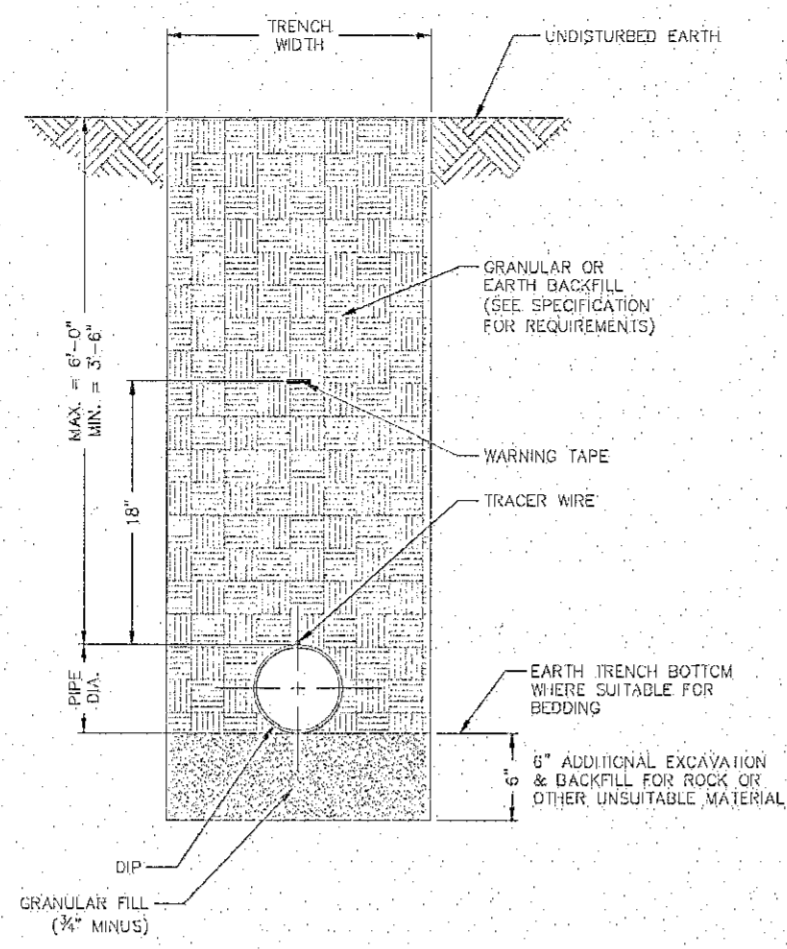


NOTES

- SEE SPECIFICATIONS FOR ADDITIONAL DETAILS FOR BEDDING AND BACKFILL.

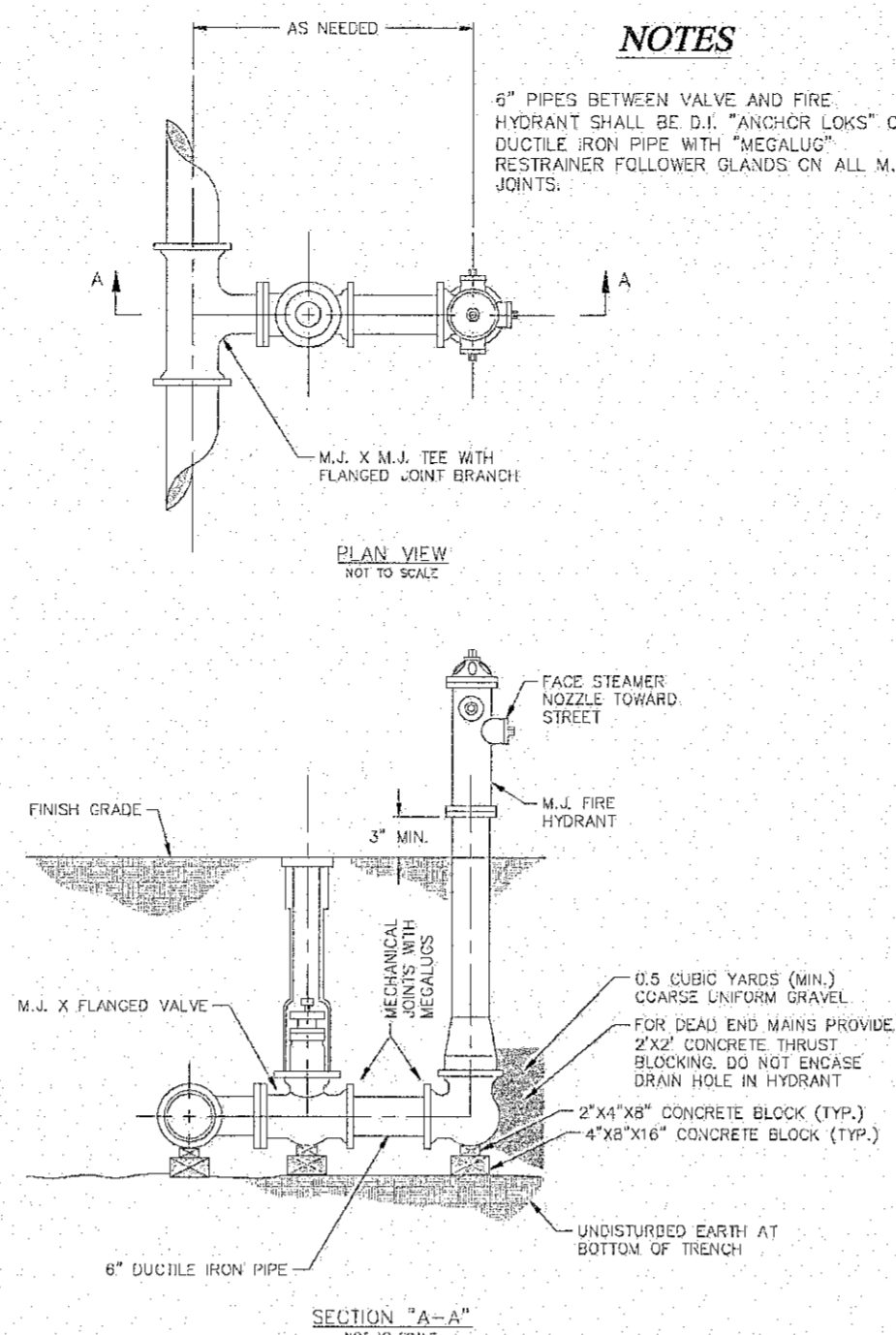
TYPICAL TRENCH SECTION FOR PVC PIPE
DETAIL "A"
PAGE 1 OF 2



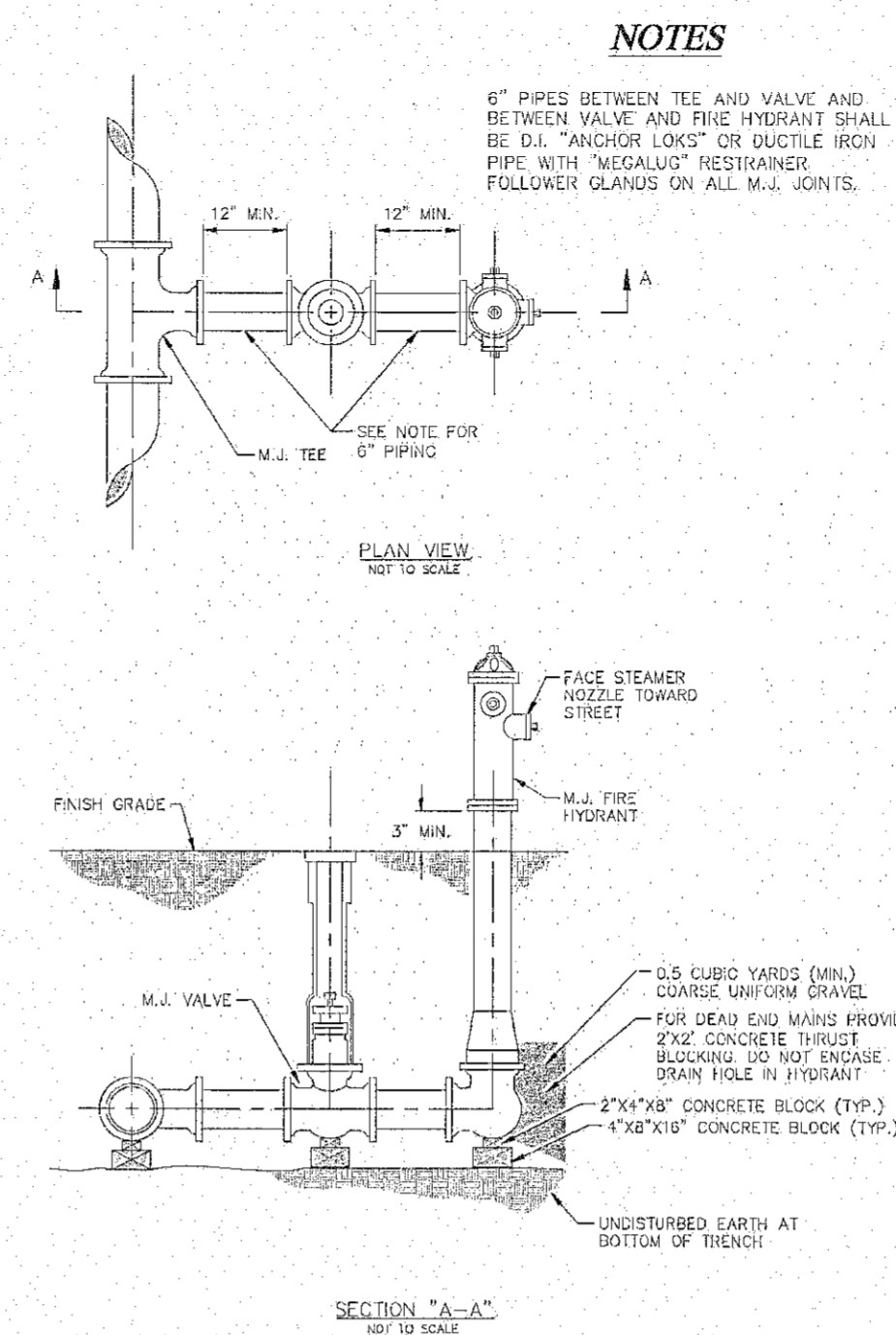
NOTES

- POLYWRAP REQUIRED FOR DUCTILE IRON PIPE.
- SEE SPECIFICATIONS FOR ADDITIONAL DETAILS FOR BEDDING AND BACKFILL.

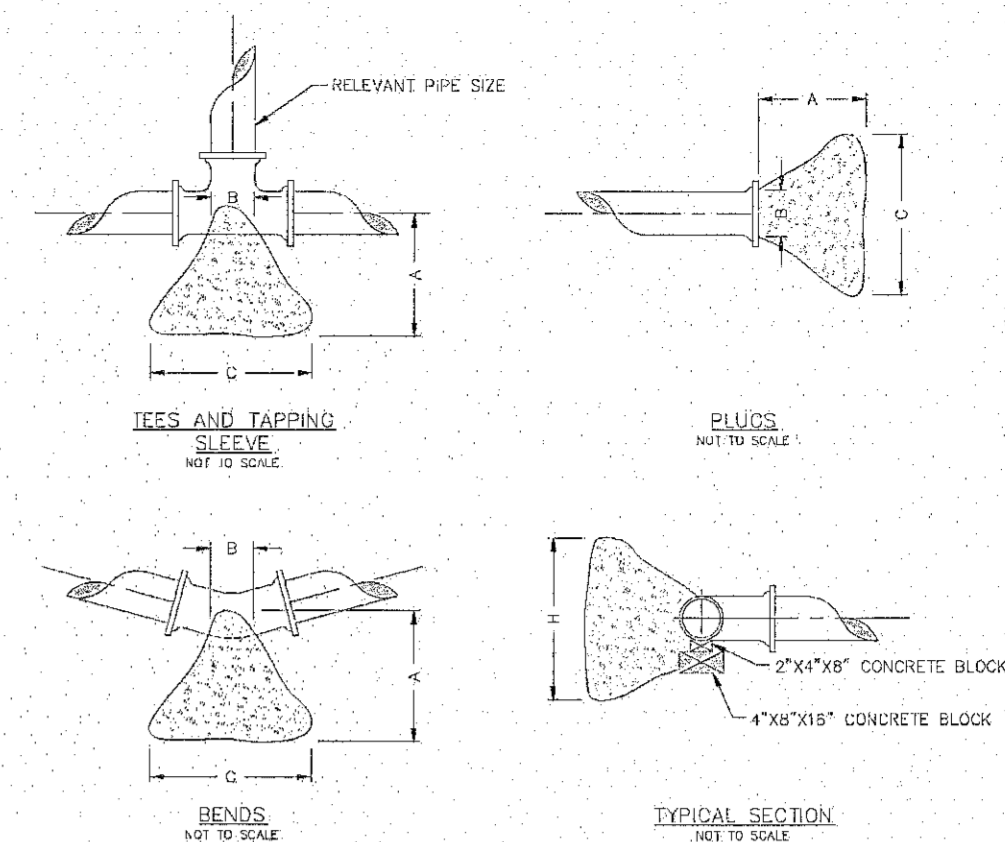
TYPICAL TRENCH SECTION FOR DUCTILE IRON PIPE
DETAIL "A"
PAGE 2 OF 2



FIRE HYDRANT DETAIL
DETAIL "B"
PAGE 1 OF 3



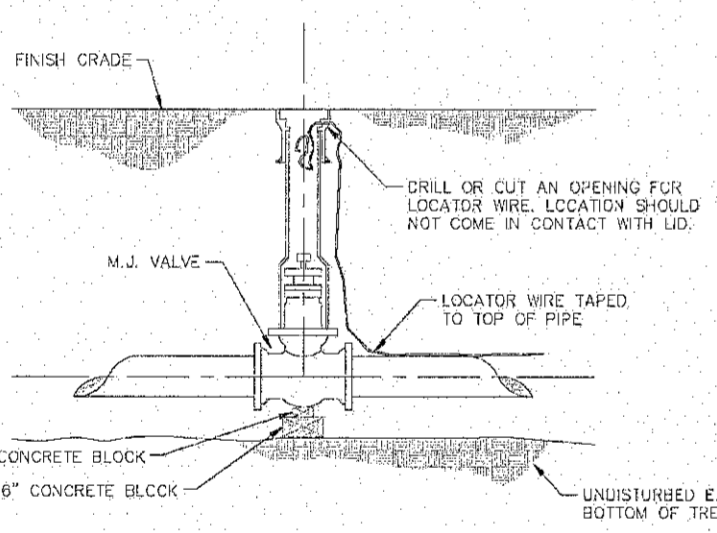
FIRE HYDRANT DETAIL
DETAIL "B"
PAGE 2 OF 3



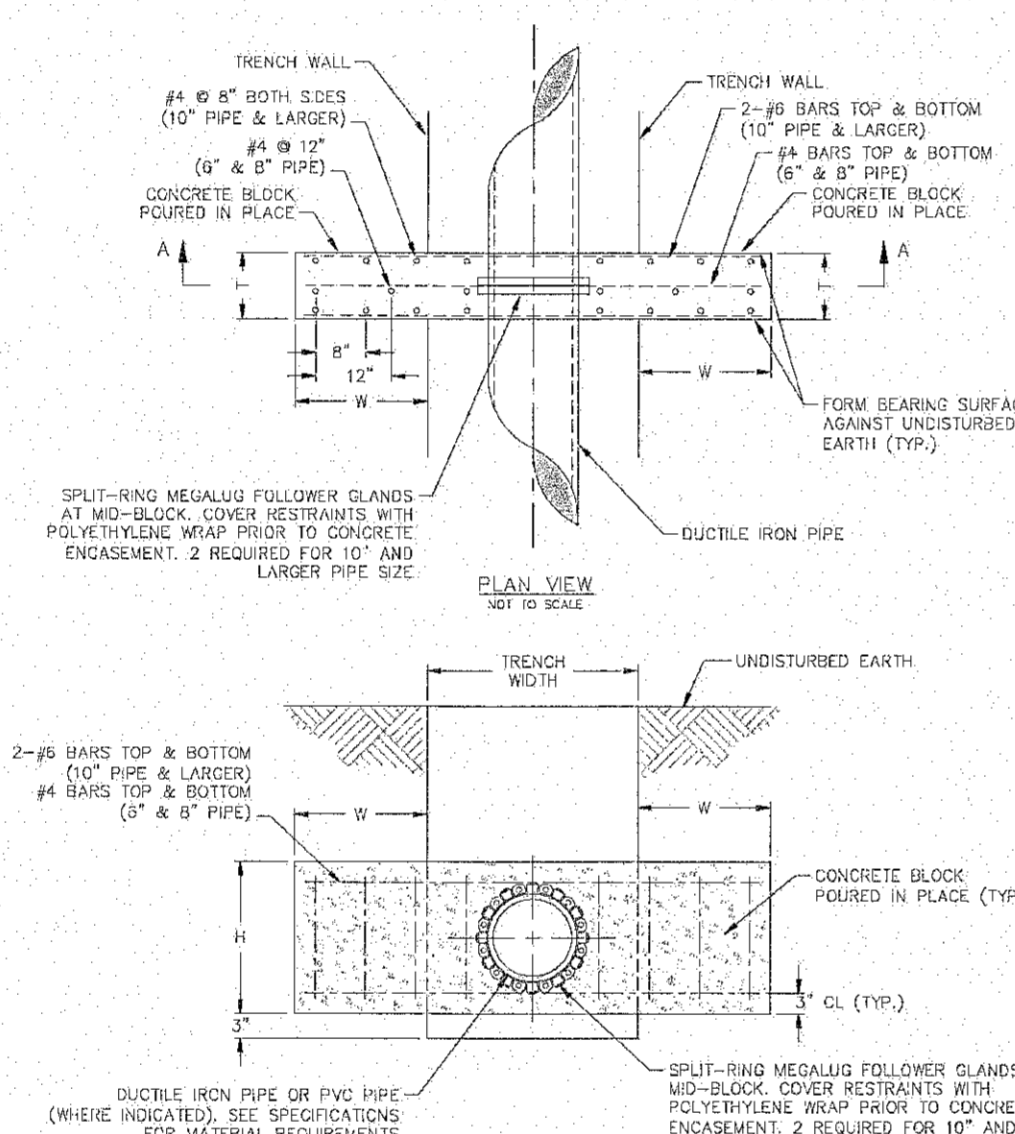
THRUST BLOCK DIMENSIONS - INCHES

PIPE DIA.	ALL FTGS.			TEE PLUG TAPPING		90 DEGREE BEND		45 DEGREE BEND		22-1/2 BEND		11-1/4 BEND	
	A	B	C	H	C	H	C	H	C	H	C	H	
4	14	4	24	12	28	15	18	12	12	12	12	12	
6	16	6	36	18	36	24	30	18	24	12	12	12	
8	20	8	36	30	42	36	36	24	24	18	18	12	
10	20	10	48	36	66	36	36	36	28	24	18	18	
12	24	12	68	36	82	42	52	30	40	24	28	18	

NOTE
FOR FITTINGS LARGER THAN 12", SPECIAL RESTRAINT DESIGNS ARE REQUIRED.
HORIZONTAL THRUST BLOCKING
DETAIL "C"



GATE VALVE DETAIL
DETAIL "D"



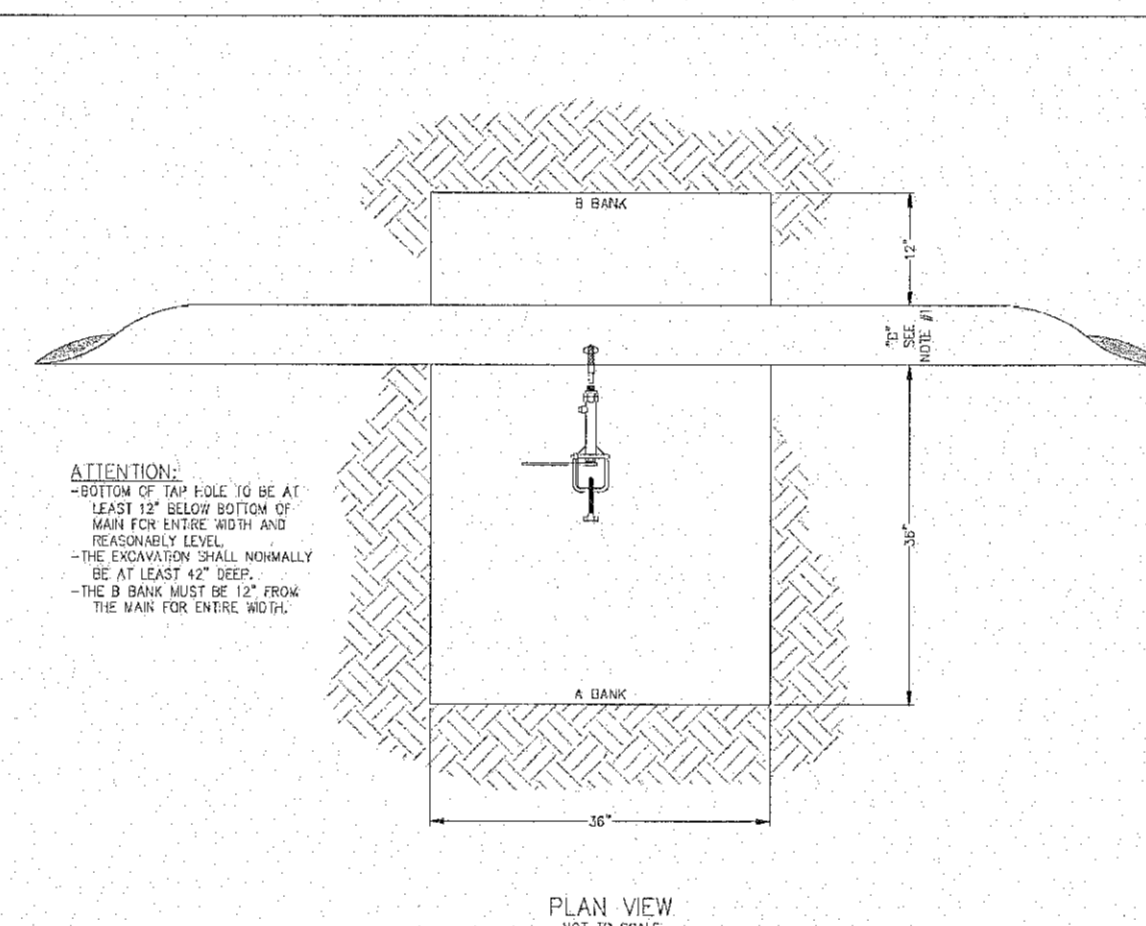
NOTES

- CONSTRUCT CROSS BLOCKS AT A MINIMUM OF 15" FROM CONNECTION POINT AND 5" FROM THE BELL END OF PIPE.
- CROSS BLOCKS SHALL BE PRE-POURED PRIOR TO SHUTDOWN AND CONNECTIONS.

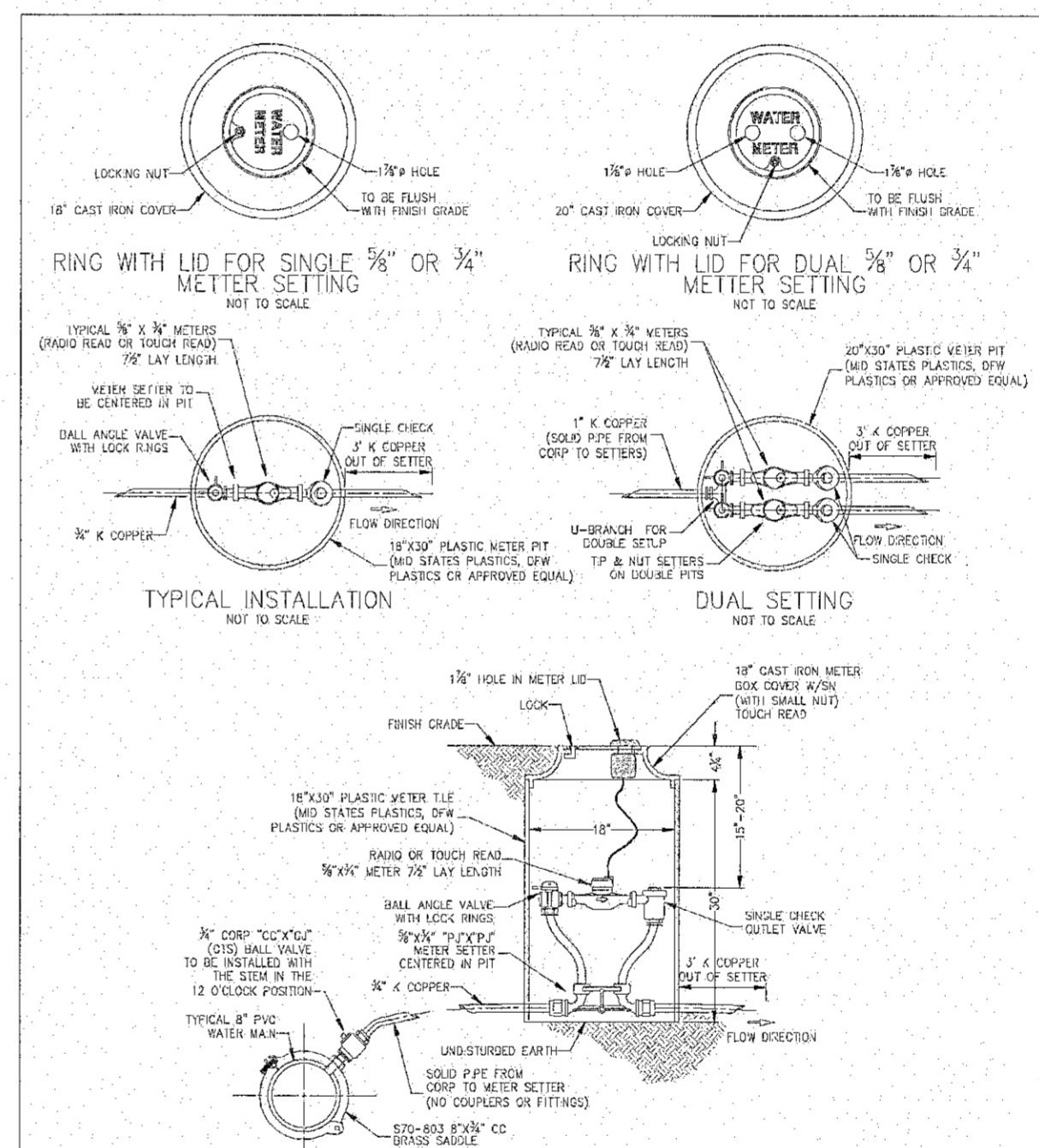
CROSS BLOCK DIMENSIONS

PIPE DIA. (IN)	WIDTH (IN)	HEIGHT (IN)	THICKNESS (IN)
4	12	12	12
6	24	24	12
8	24	24	12
10	30	30	18
12	36	36	18

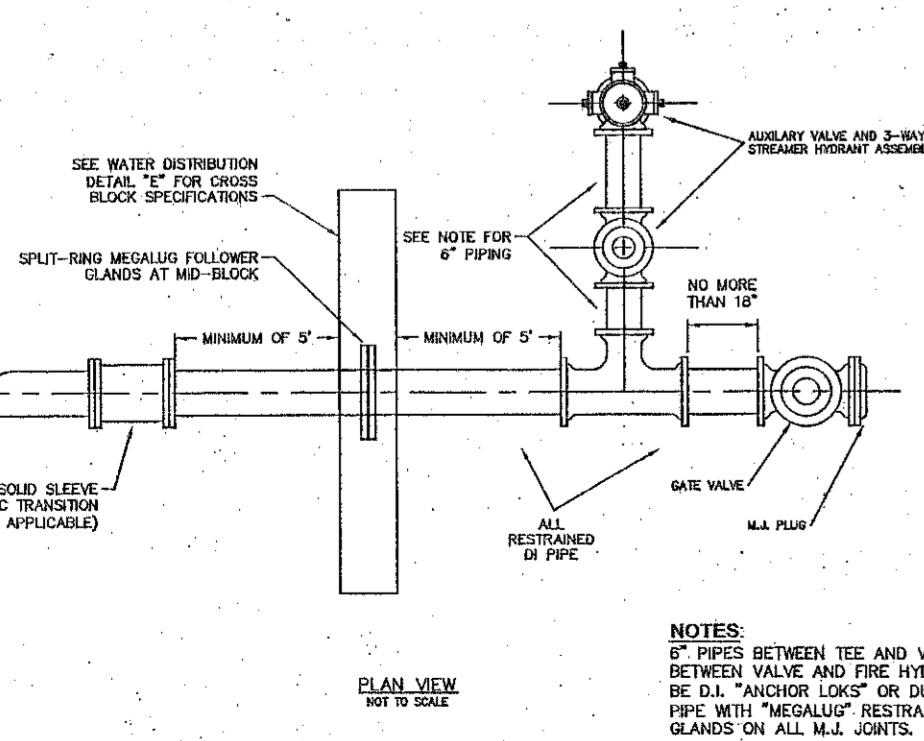
CROSS BLOCK
DETAIL "E"



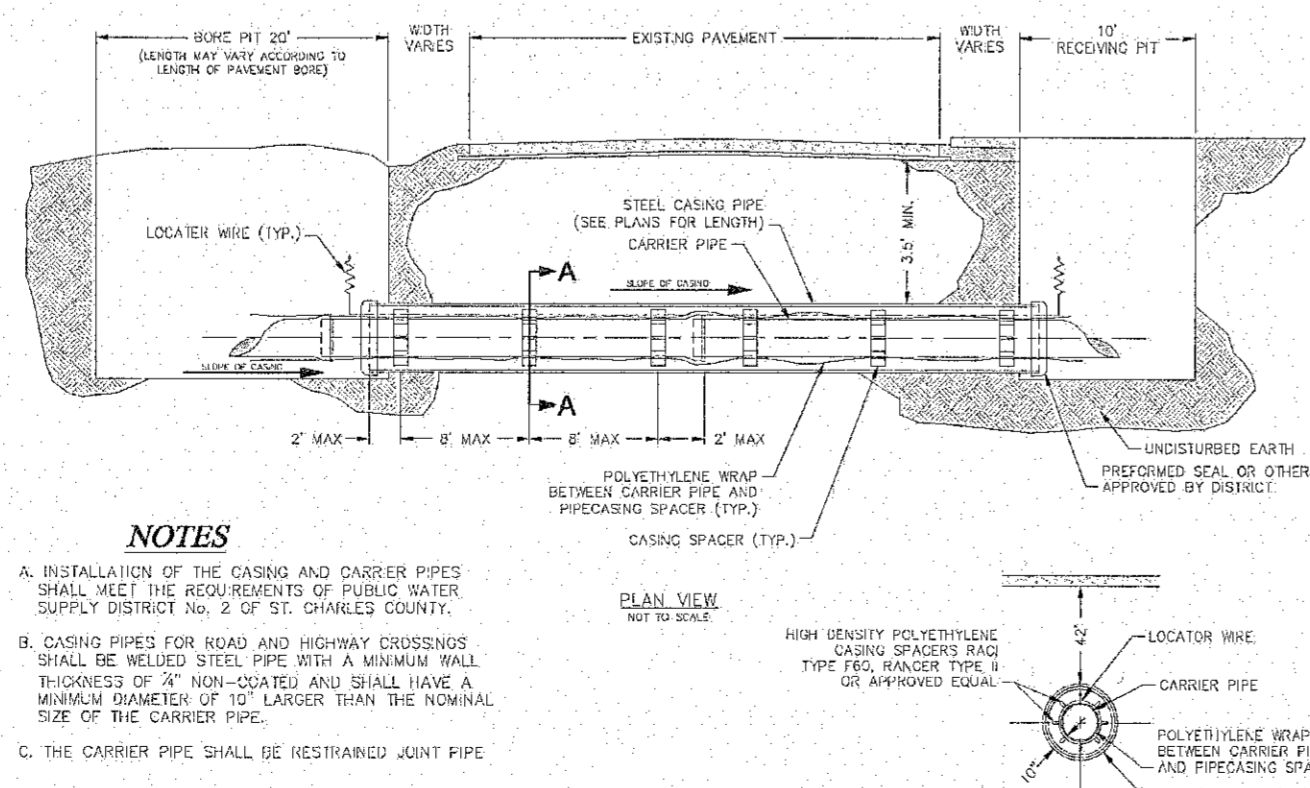
TYPICAL 3/4" SERVICE CONNECTIONS TAP HOLE DIMENSIONS
DETAIL "A"



TYPICAL 3/4" RESIDENTIAL WATER SERVICE
DETAIL "B"



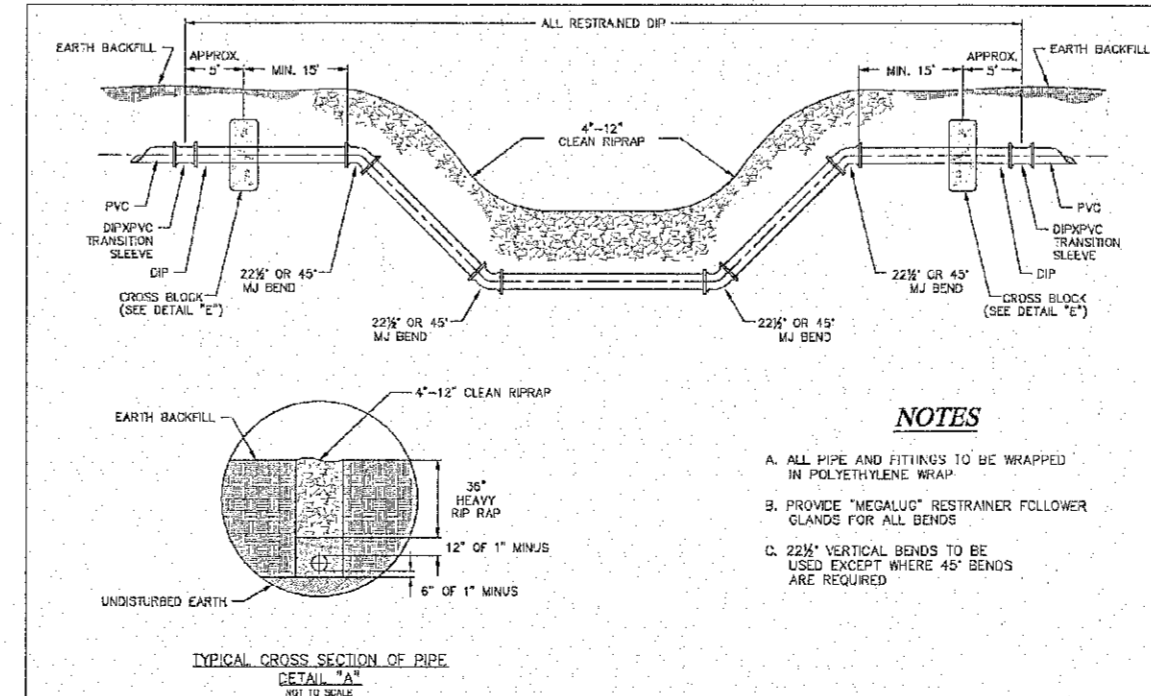
WATER MAIN TERMINATION DETAIL



NOTES

- INSTALLATION OF THE CARRIER AND CASING PIPES SHALL MEET THE REQUIREMENTS OF PUBLIC WATER SUPPLY DISTRICT NO. 2 OF ST. CHARLES COUNTY.
- CASING PIPES FOR ROAD AND HIGHWAY CROSSINGS SHALL BE WELDED STEEL PIPE WITH A MINIMUM WALL THICKNESS OF 1/2" NON-STANDARD AND SHALL HAVE A MINIMUM DIAMETER OF 12" LARGER THAN THE NORMAL SIZE OF THE CARRIER PIPE.
- THE CARRIER PIPE SHALL BE RESTRAINED JOINT PIPE.

TYPICAL WATER BORE AND ENCASUREMENT
DETAIL "H"



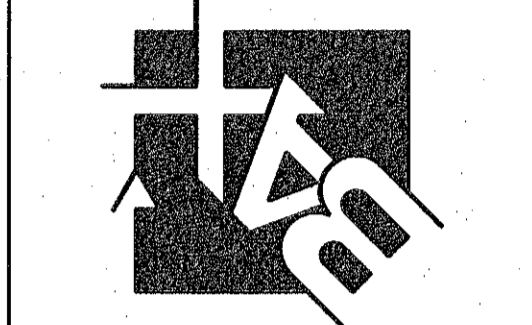
NOTES

- ALL PIPE AND FITTINGS TO BE WRAPPED IN POLYETHYLENE WRAP.
- PROVIDE "MEDICAL" RESTRAINER FOLLOWER GLANDS FOR ALL BENDS.
- DOWN VERTICAL BENDS TO BE USED EXCEPT WHERE AS BENDS ARE REQUIRED.

TYPICAL CREEK OR DITCH CROSSING
DETAIL "I"

PROJECT TITLE:
LEGENDS POINTE
(formerly THE VILLAGES
AT RHODES FARM)

ENGINEERING PLANNING SURVEYING
221 Point West Blvd.
St. Charles, MO 63301
636-928-5652
FAX 636-928-1718



DISCLAIMER OF RESPONSIBILITY
I hereby specify that the documents intended to be authorized by my seal are limited to this sheet, and I hereby disclaim any responsibility for all other Drawings, Specifications, Estimates, Reports or other documents or instruments relating to or intended to be used for any part or parts of the architectural or engineering project or survey.

REVISIONS

DATE	DESCRIPTION
10/03/17	P.W.S.D.#2 COMMENTS
10/24/17	CLIENT COMMENTS
10/31/17	DUCKETT COMMENTS
11/01/17	CLIENT COMMENTS
11/05/17	CITY COMMENTS
11/29/17	MODOT COMMENTS
12/13/17	MODOT COMMENTS
12/21/17	CLIENT COMMENTS

Developer / Owner:
KAPB, L.L.C.
410 CRESTVIEW DRIVE
OFALLON, MO 63366
636-272-4200

P+Z No.
#27-15.05, 05/11/17
City No.
#CITY
Page No.
38 of 41

ENGINEERS SEAL DOES NOT APPLY TO DETAILS ON THIS SHEET.

WATER DETAILS

Box Project #12-154708 Issue Date: 08/02/2017