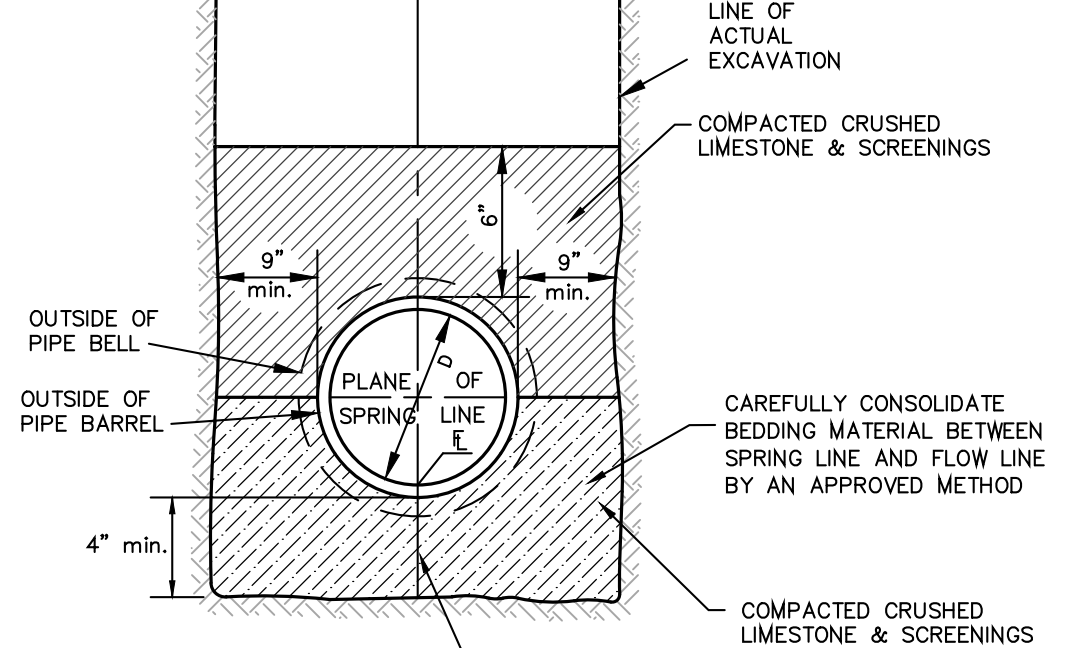
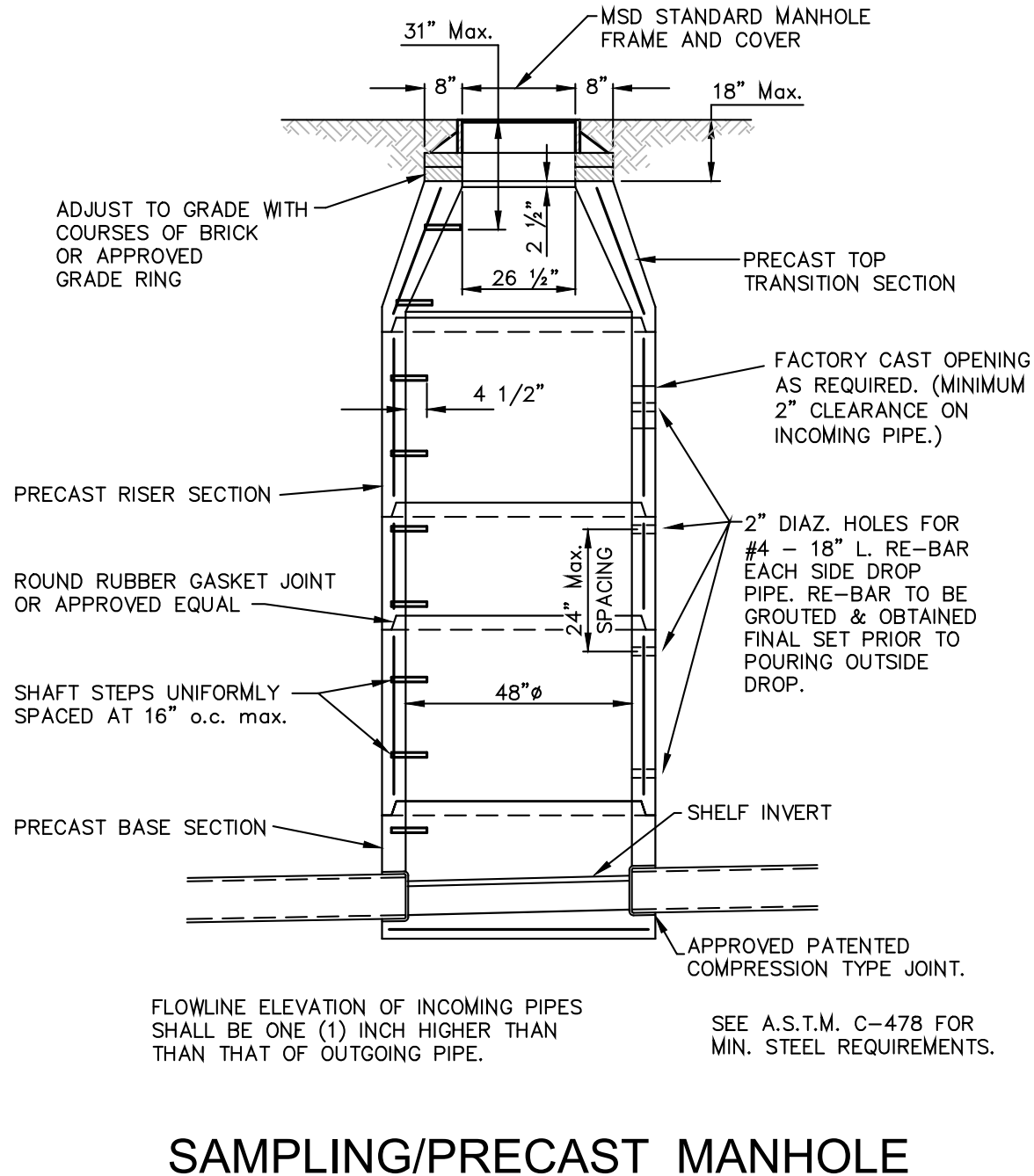
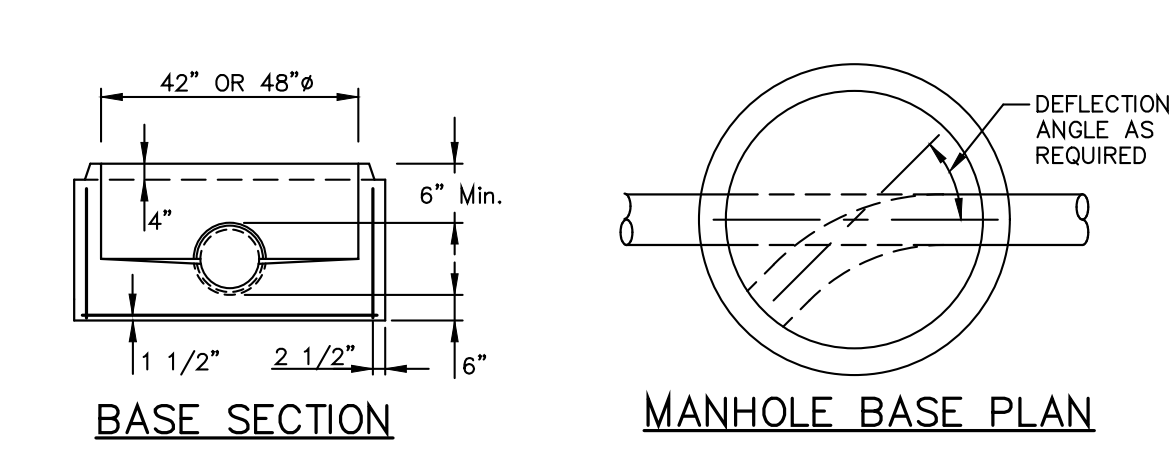


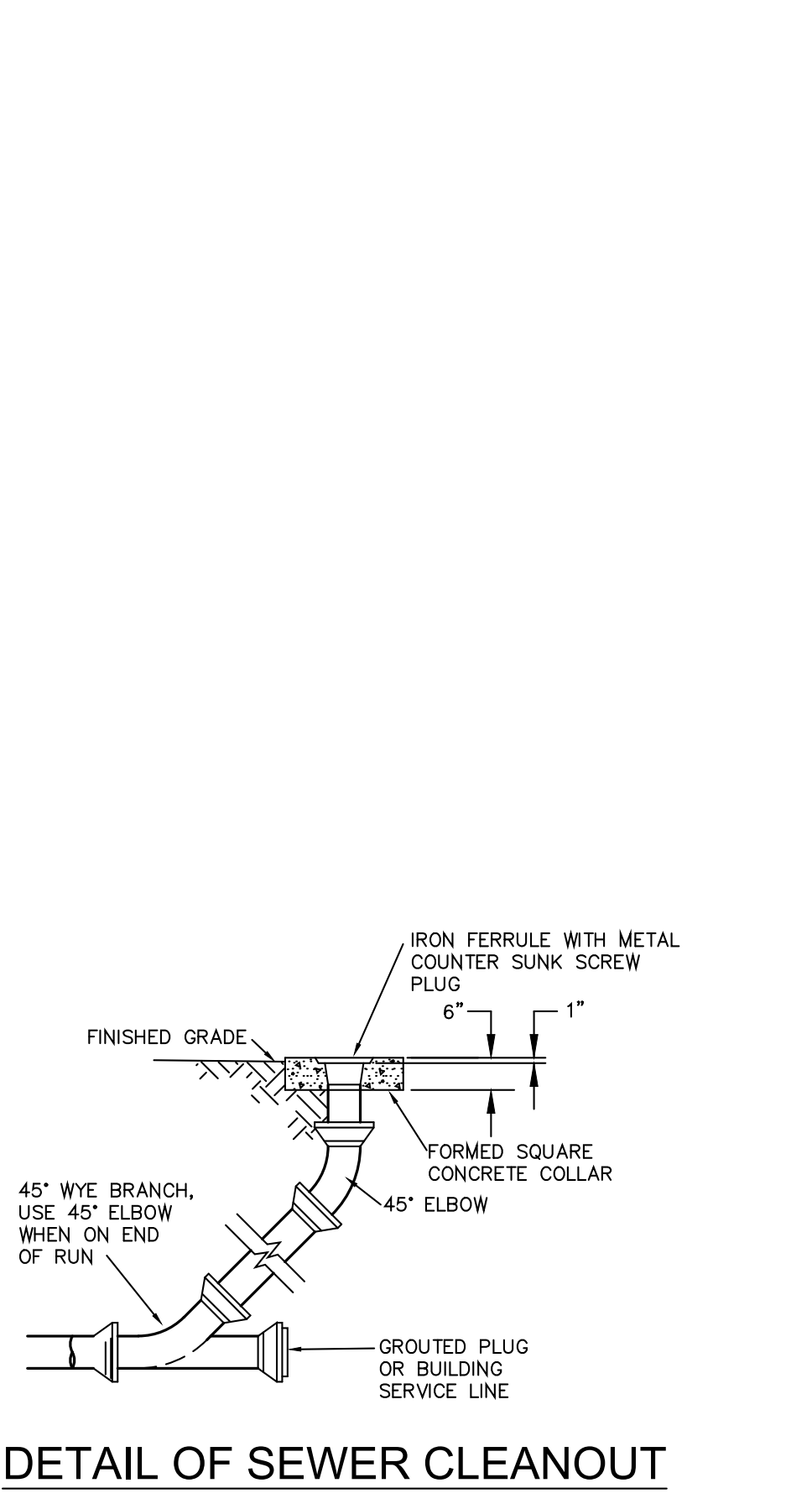
PIPE BEDDING CLASS "C"
(FOR ALL PIPE EXCEPT REINFORCED CONCRETE PIPE)



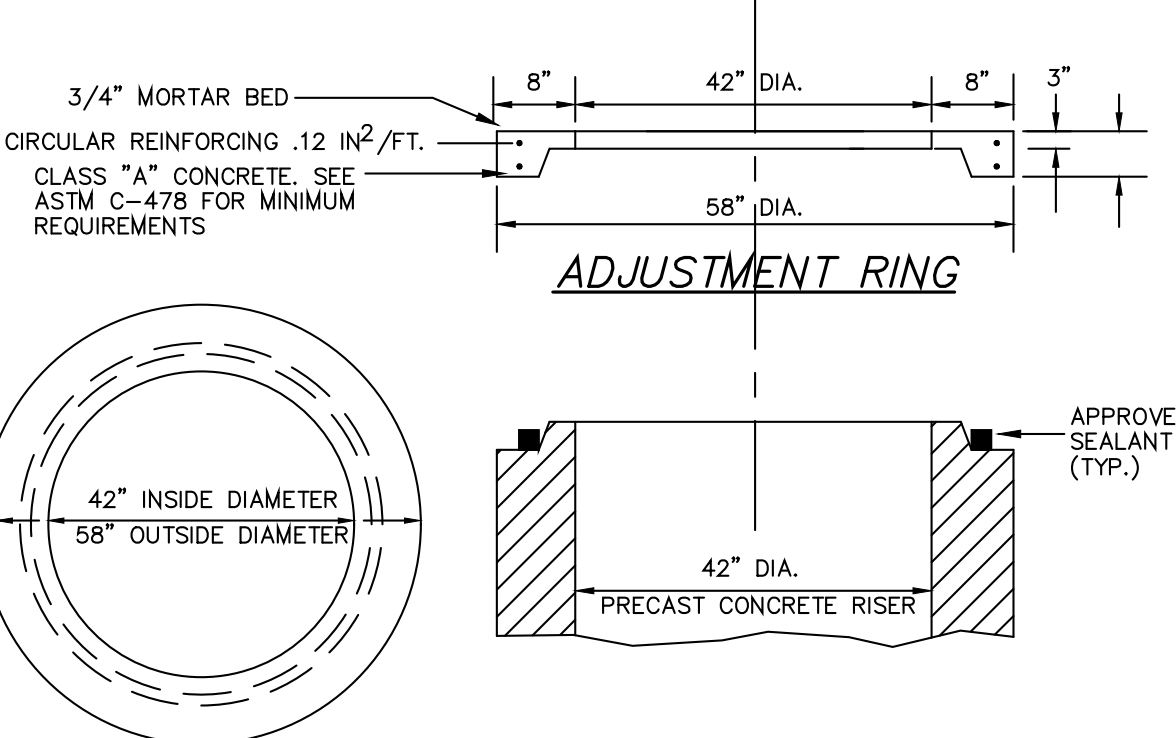
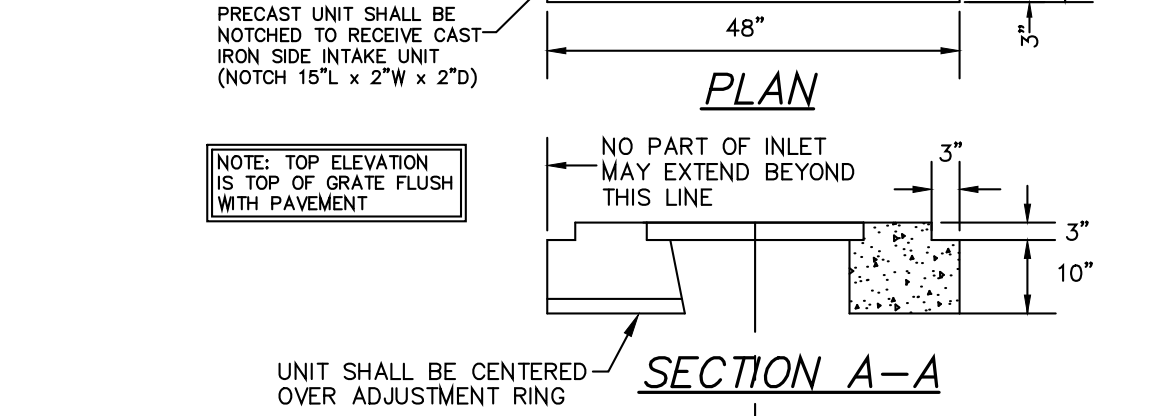
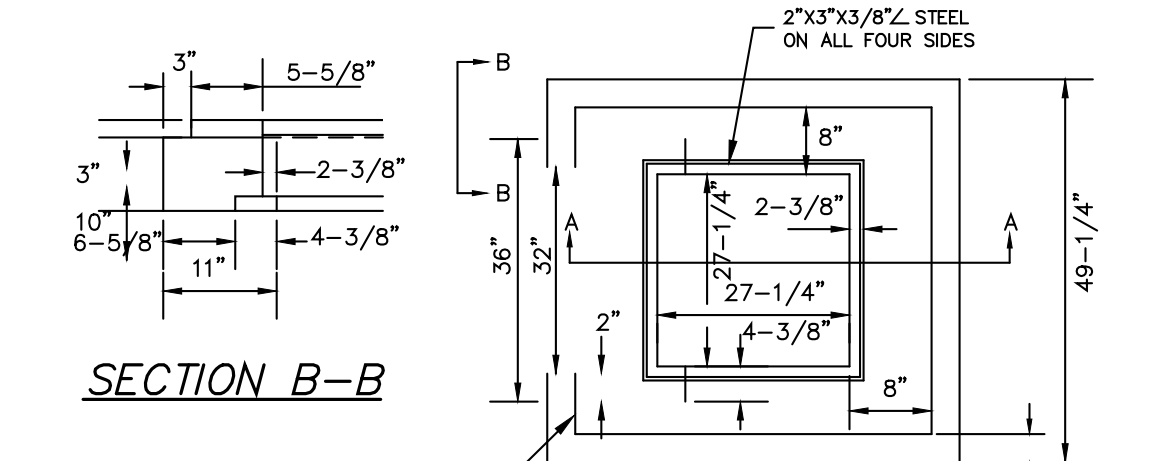
PIPE BEDDING CLASS "C"
(MODIFIED FOR REINFORCED CONCRETE PIPE)
PIPE BEDDING DETAILS
(PRIVATE STORM SEWER)



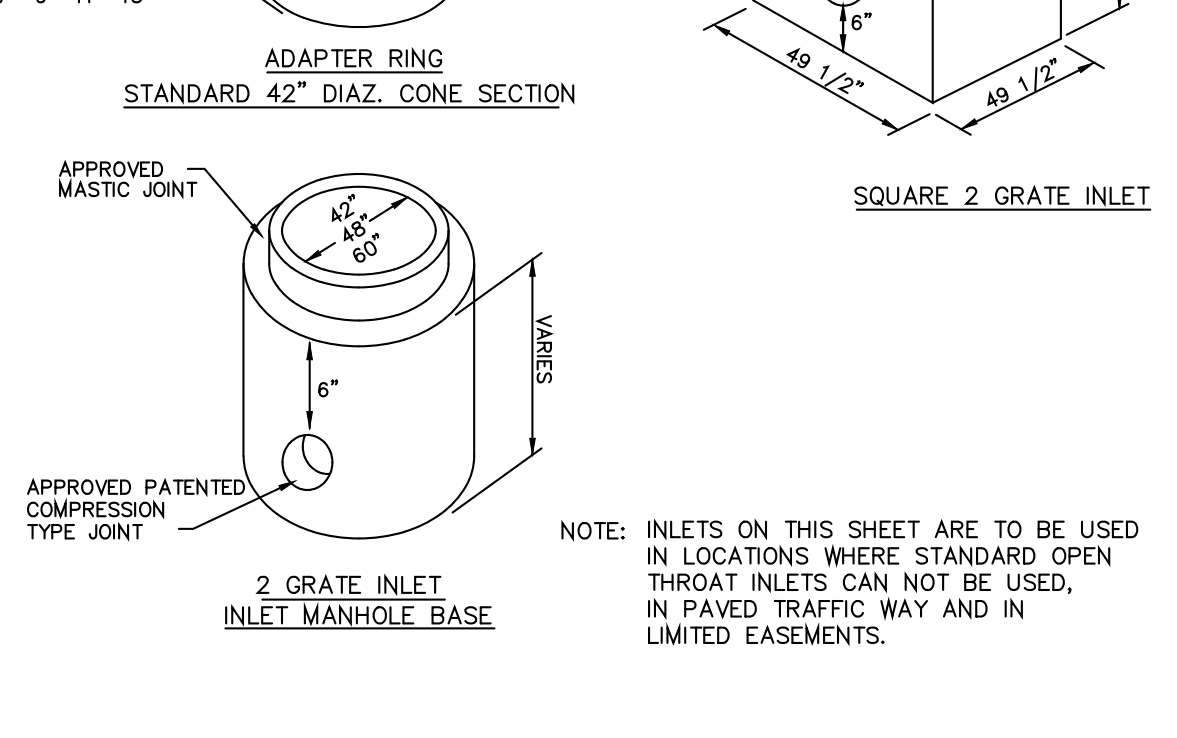
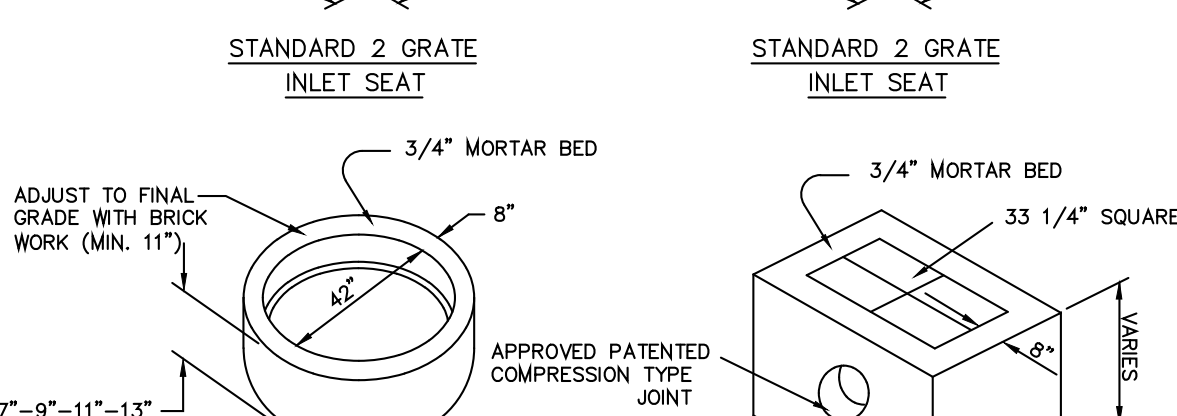
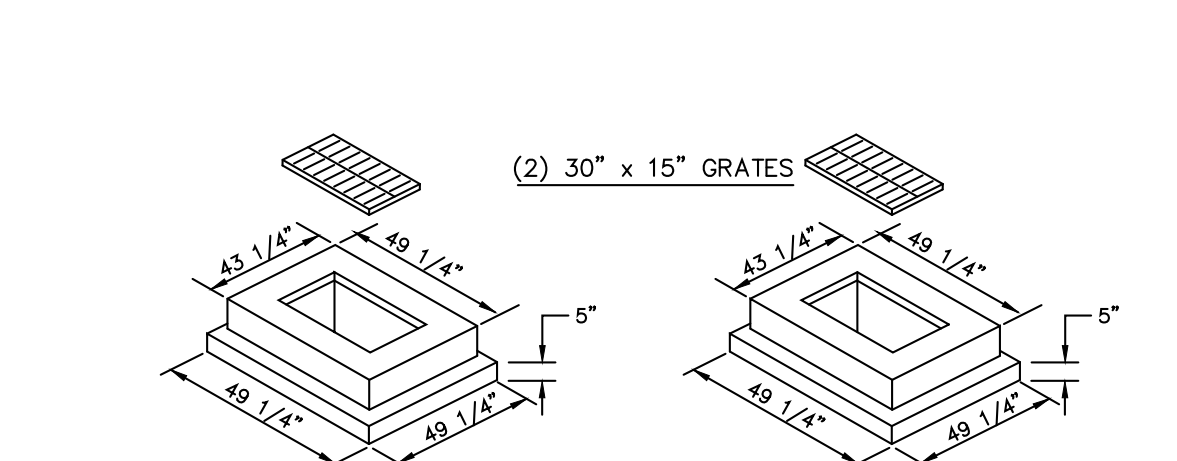
SAMPLING/PRECAST MANHOLE



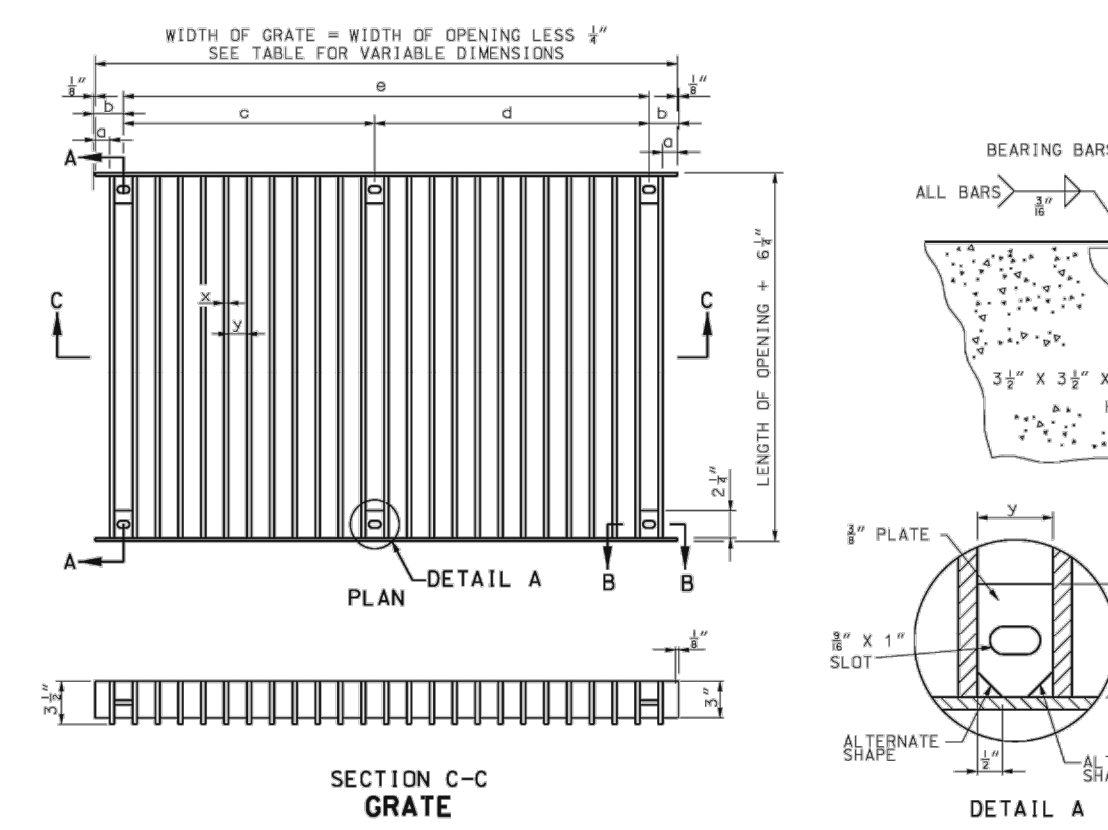
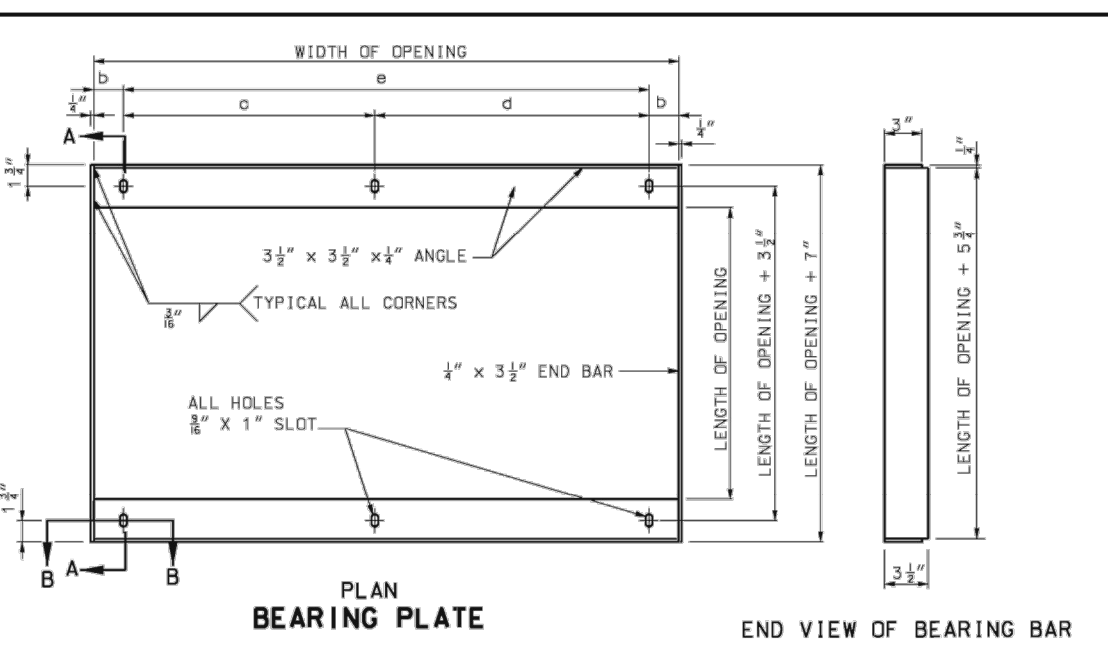
DETAIL OF SEWER CLEANOUT



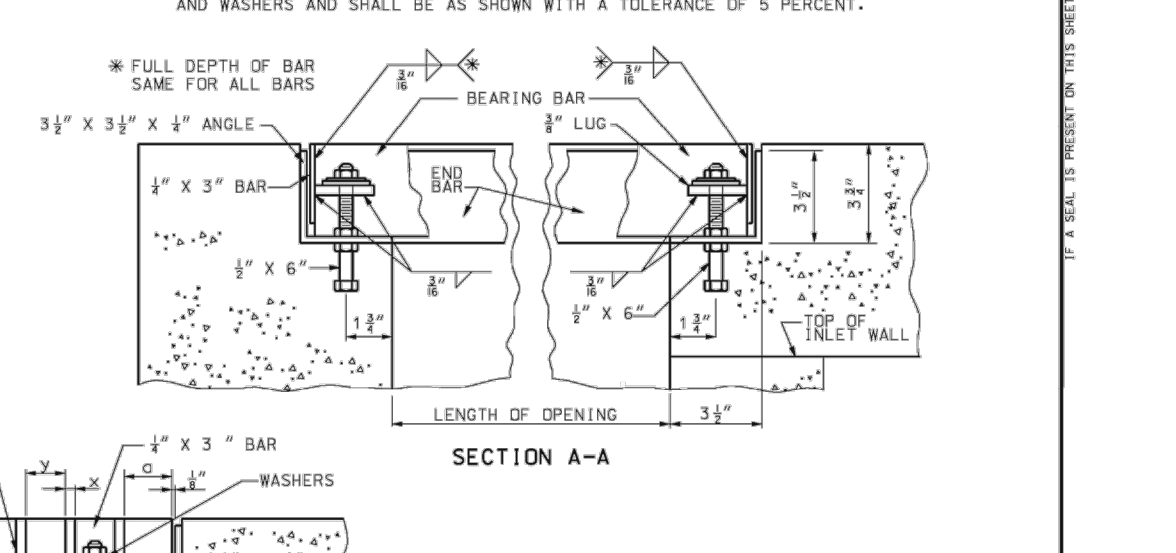
GRATE SEAT FOR 2-GRATE INLET WITH SIDE INTAKE



2 GRATE INLET

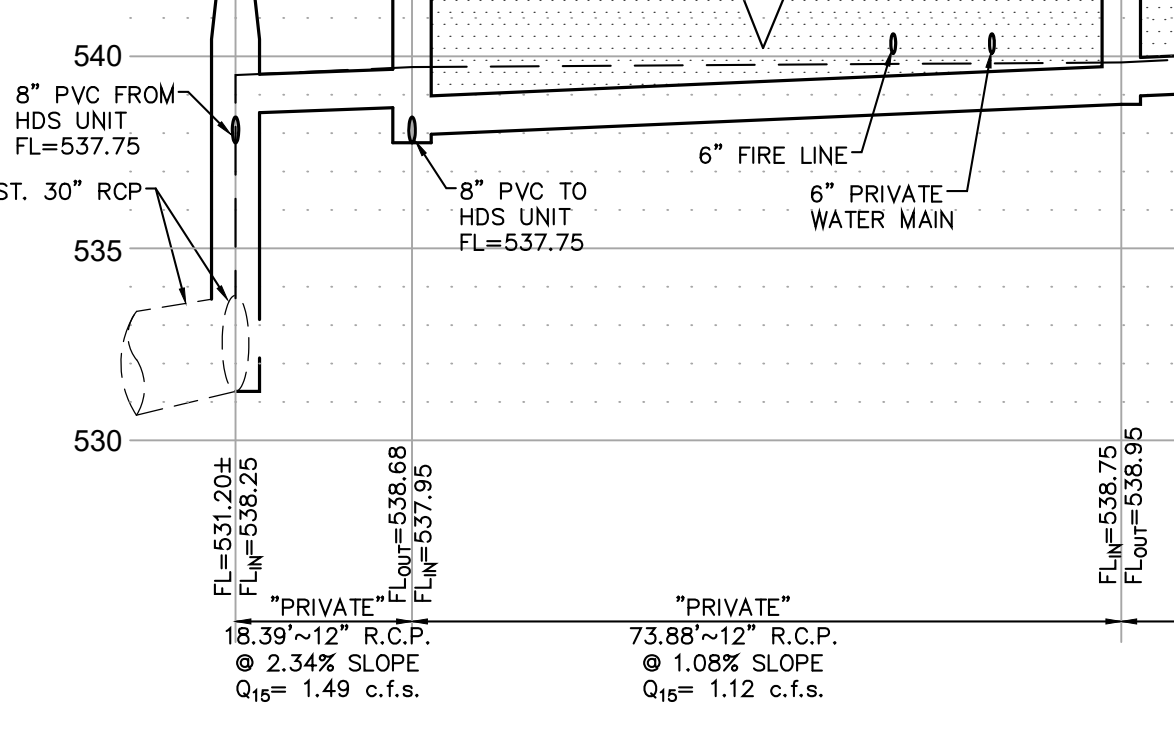
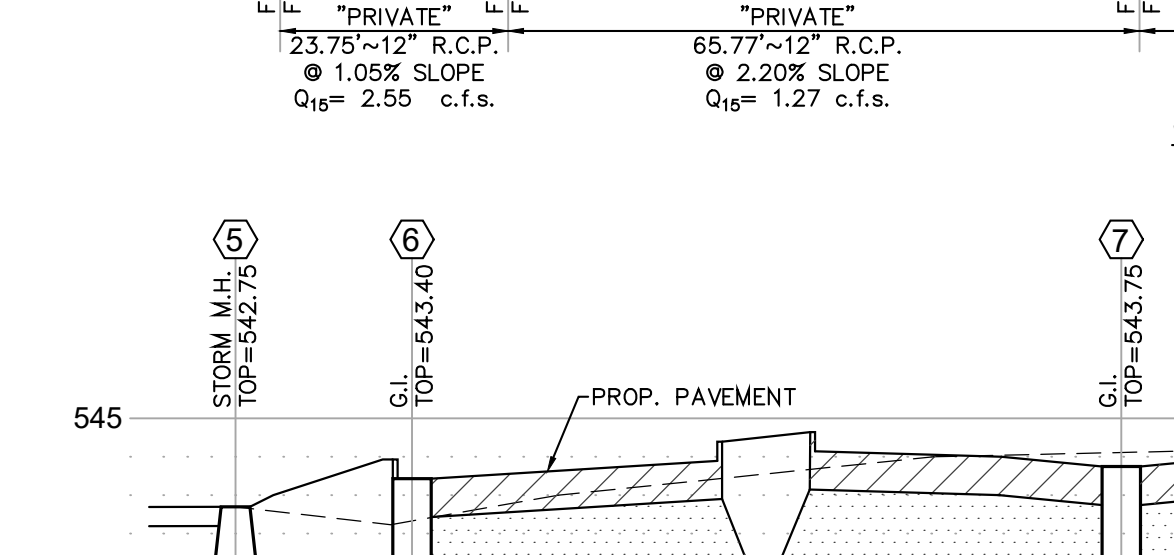
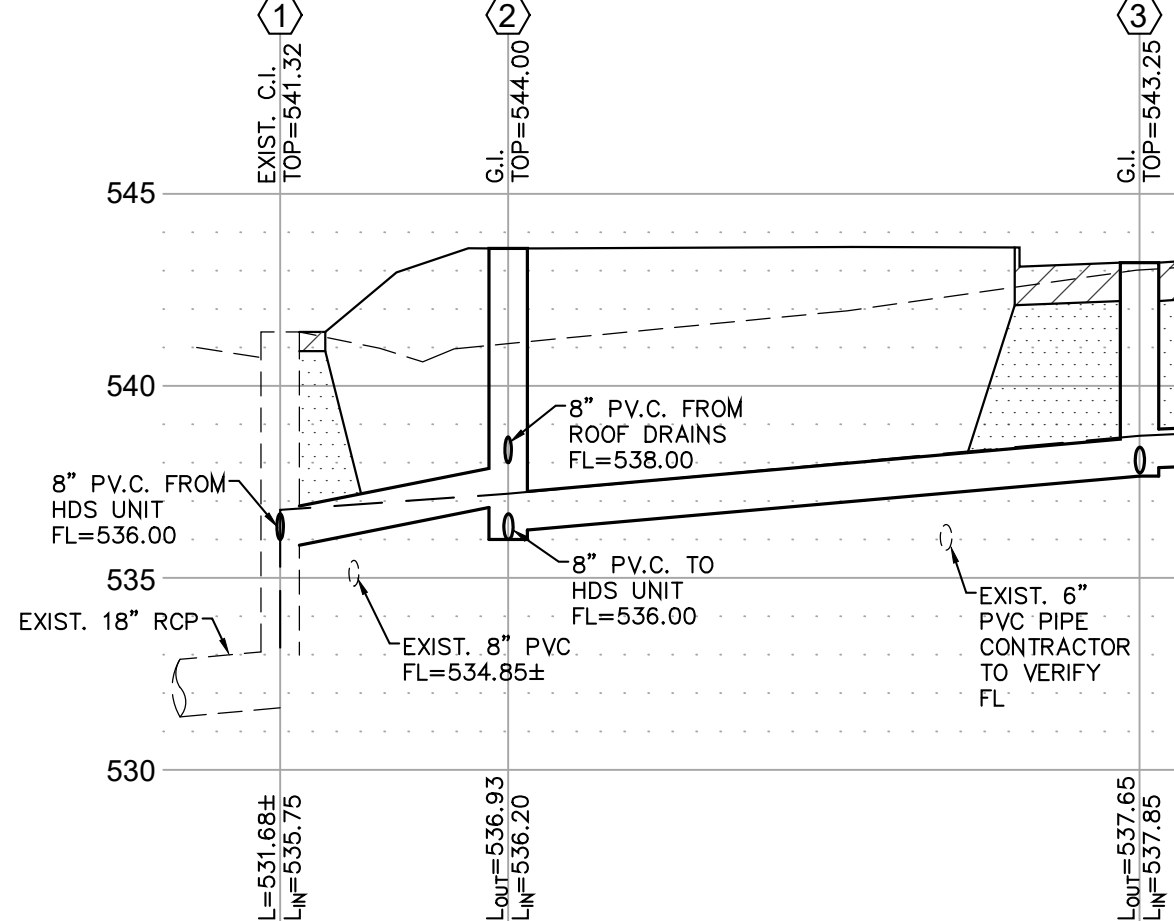


WEIGHT AND DIMENSIONS DATA											
OPENING		WEIGHT		BEARING BARS		DIMENSIONS		DIMENSIONS		REMARKS	
WIDTH	LENGTH	(LBS.)	x	y	LENGTH	NUMBER	a	b	c	d	e
3'-0"	2'-0"	190	3"	3"	2'-5 3/4"	11	8"	2"			2'-6 1/2"
3'-0"	3'-0"	330	3"	3"	3'-5 3/4"	10	14"	3 1/2"			2'-5"
3'-0"	2'-0"	300	3"	3"	2'-5 3/4"	18	1 1/2"	3"	2'-3"	2'-3"	USE WITH TYPE 5-1 INLETS AND TYPE 5 HEADWALLS
3'-0"	3'-0"	550	3"	3"	3'-5 3/4"	17	3"	2 1/2"	2'-1 1/2"	2'-5"	
3'-1"	2'-1"	200	3"	3"	2'-6 1/4"	11	1 1/2"	3 3/8"			2'-6 1/4"
3'-1"	3'-1"	340	3"	3"	3'-6 1/4"	10	1 1/2"	4"			2'-5"
3'-1"	2'-1"	310	3"	3"	2'-6 1/4"	18	1 1/2"	3 3/8"	2'-3"	2'-3"	USE WITH TYPE 5-1 INLETS ONLY
3'-1"	3'-1"	560	3"	3"	3'-6 1/4"	17	3"	2 1/2"	2'-1 1/2"	2'-5"	

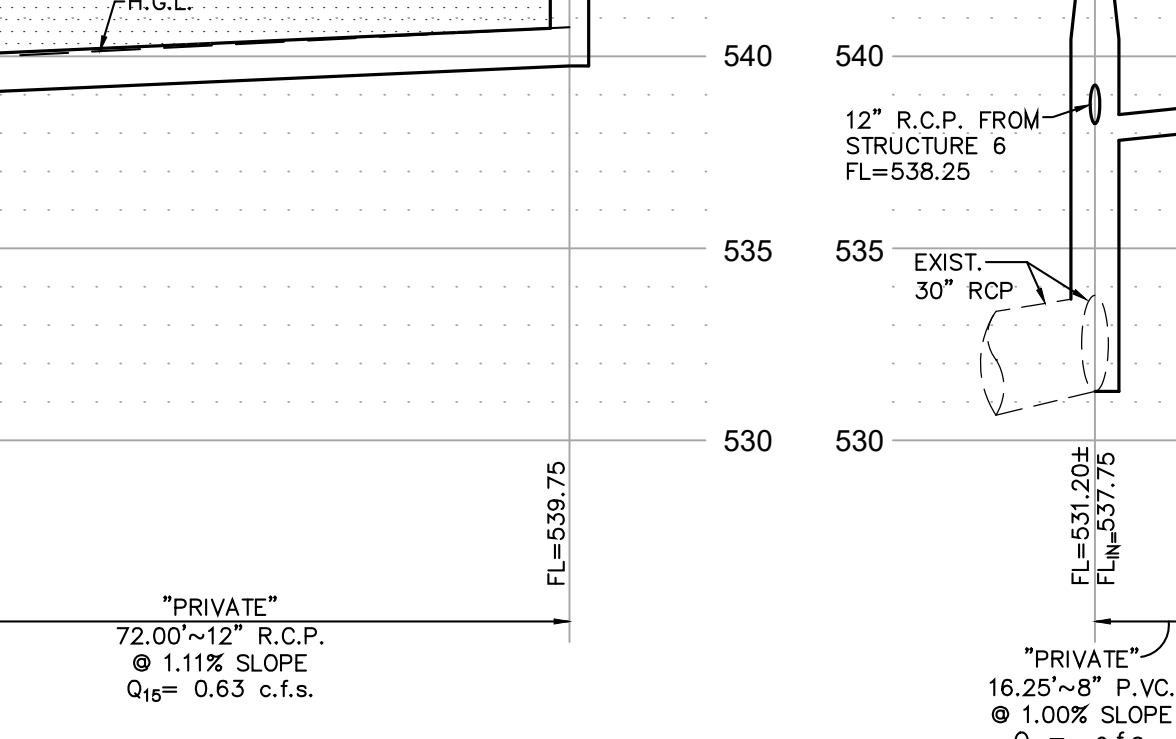
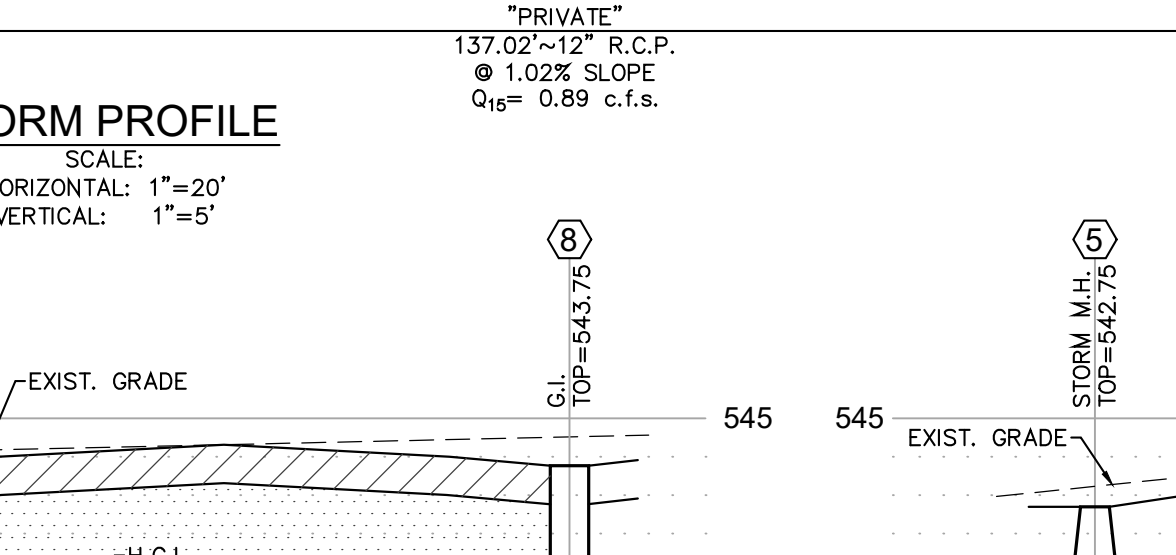
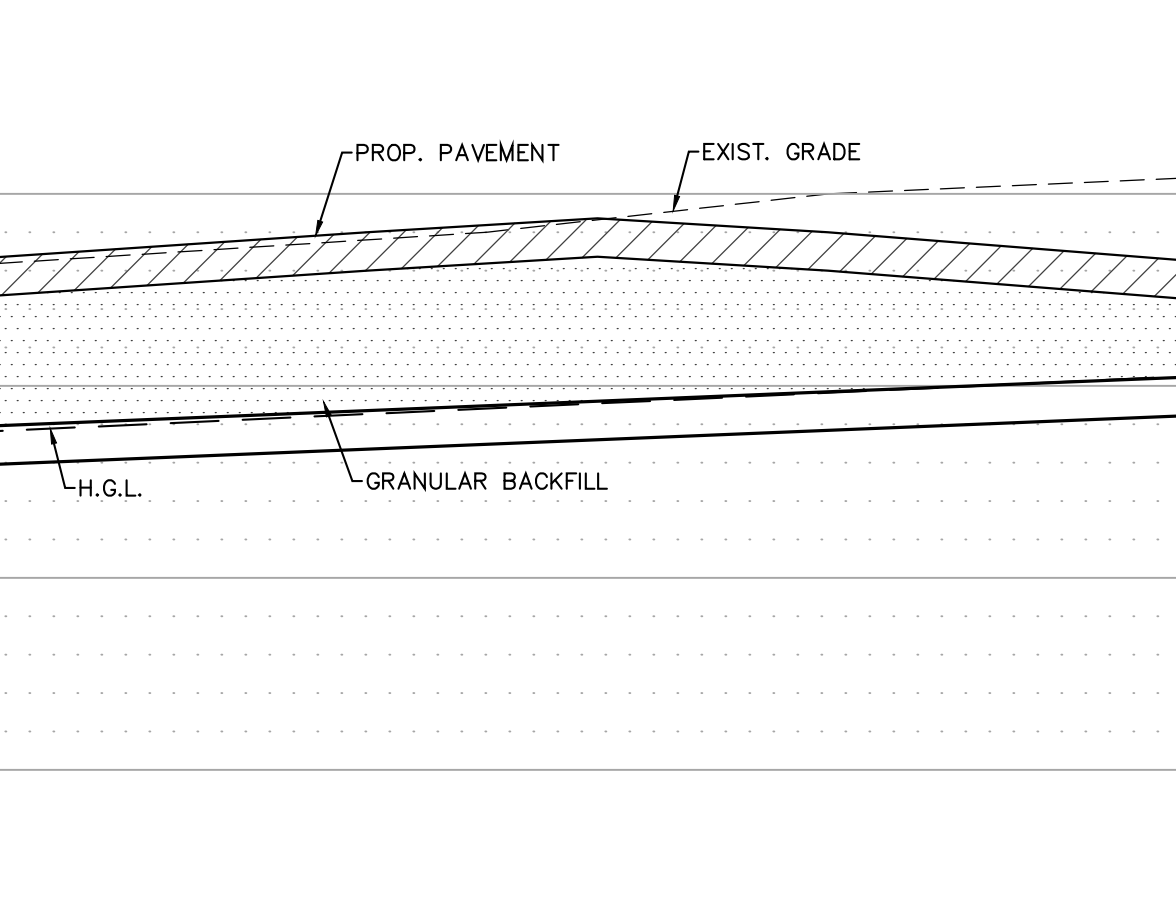


GENERAL NOTES:
WHEN BOLTS ARE CUT IN THE FIELD, THREADS MUST BE CLEANED TO PROMOT THE FINAL NUT TO RUN FREELY ON THE BOLT.
THE WELDING REQUIREMENTS SHOWN ON THIS DRAWING ARE FOR PAINTED GRATES AND BEARING PLATES. IF GALVANIZED, ALL TIGHTLY CONTACTING SURFACES SHALL BE COMPLETELY REASLED ON ALL SIDES BY WELDING PRIOR TO GALVANIZING.
(4) OTHER ALTERNATE SHAPES ARE ALLOWED, UPON APPROVAL, PROVIDED 4 LINEAR INCHES WELD IS MAINTAINED SYMMETRICALLY AROUND THE PLATE AND THE NOMINAL DIMENSIONS OF THE PLATE AND SLOT ARE MAINTAINED.

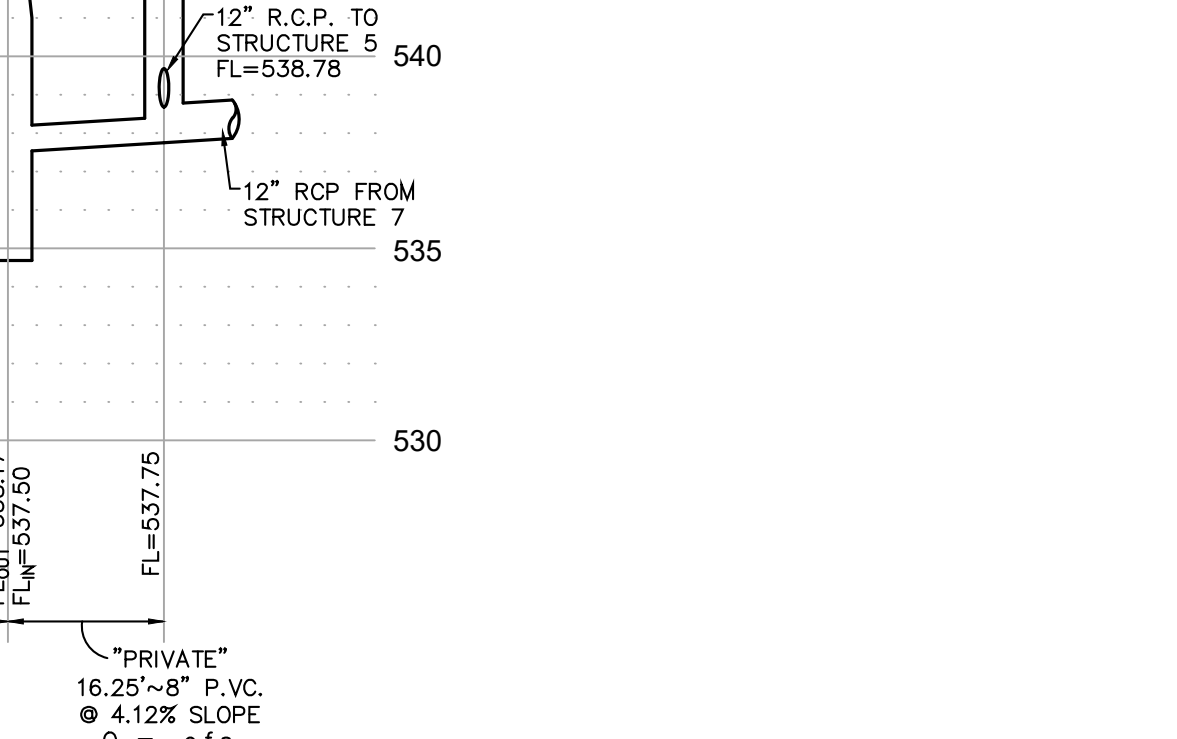
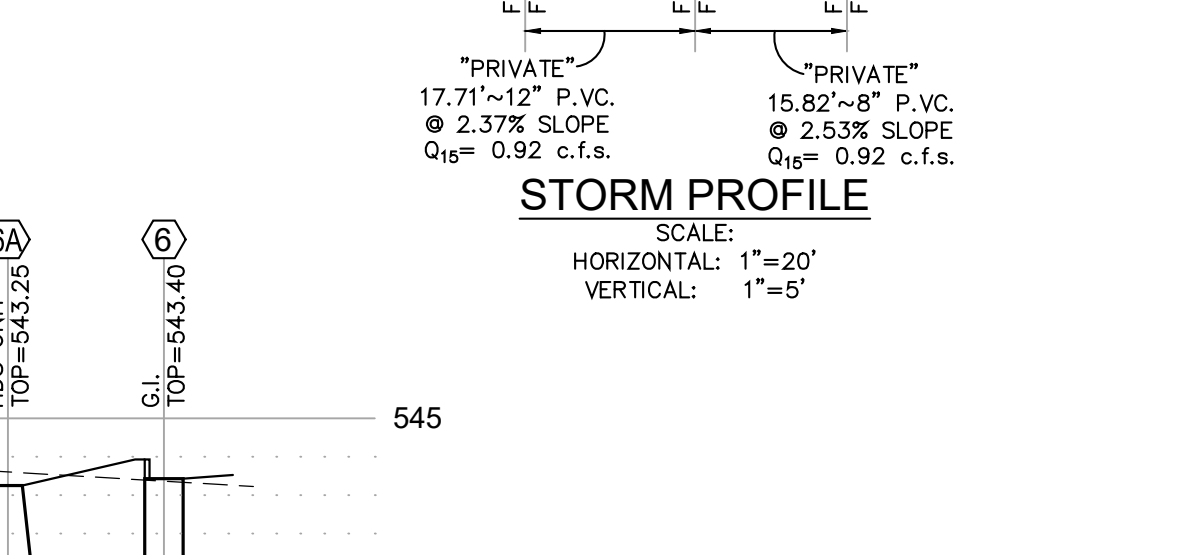
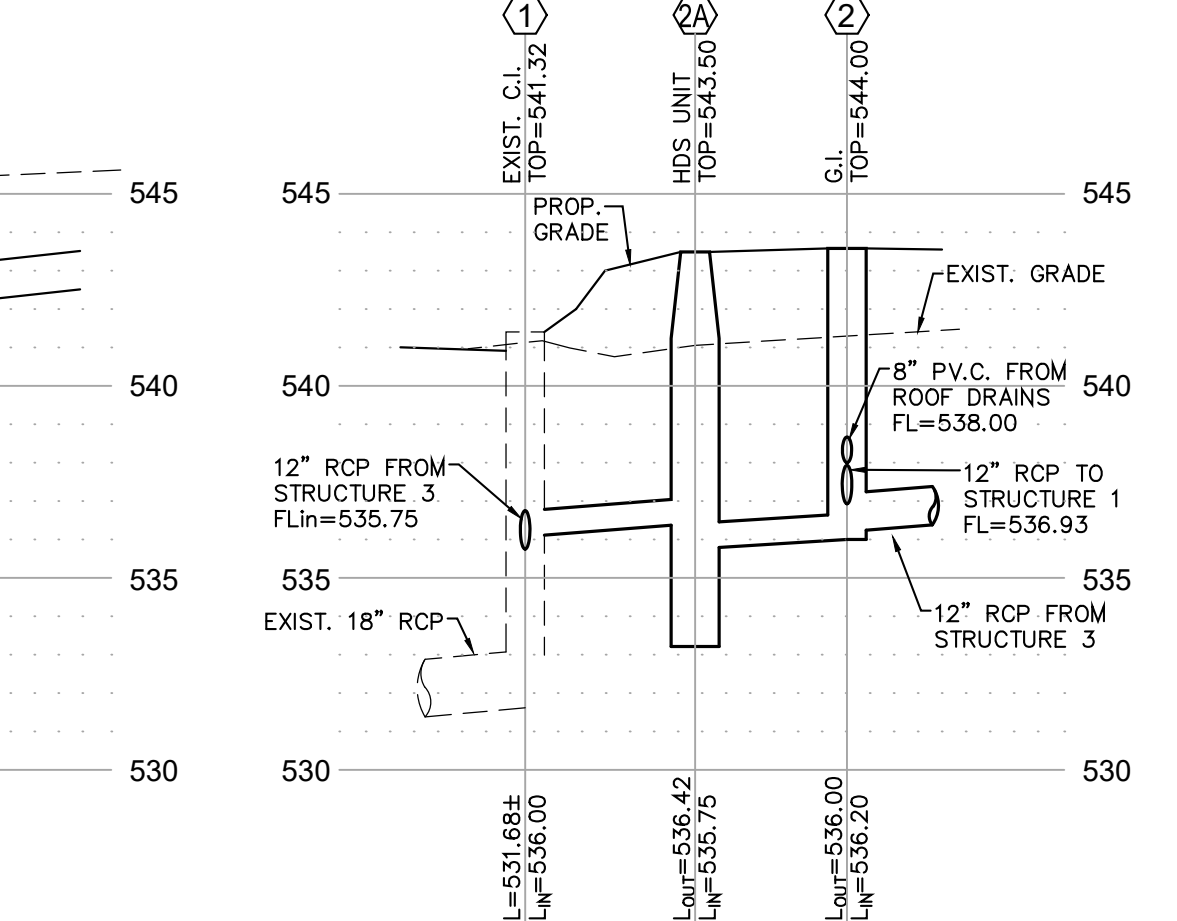
MISSOURI HIGHWAYS AND TRANSPORTATION COMMISSION
JEFFERSON CITY, MISSOURI
1-888-644-4000 (1-888-276-6631)
DATE EFFECTIVE: 12/29/2008
614.10T
SHEET NO. 1 OF 1



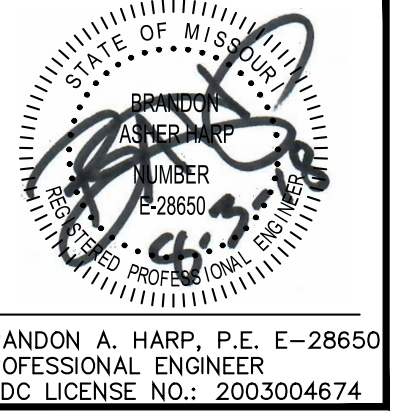
STORM PROFILE
SCALE:
HORIZONTAL: 1"=20'
VERTICAL: 1"=5'



STORM PROFILE
SCALE:
HORIZONTAL: 1"=20'
VERTICAL: 1"=5'



STORM PROFILE
SCALE:
HORIZONTAL: 1"=20'
VERTICAL: 1"=5'



BRANDON A. HARP, P.E. E-28650
CEDC LICENSE NO.: 2003004674
10820 Sunset Office Drive
Suite 200
Saint Louis, Missouri 63127
314.729.1400
314.729.1404
www.cedc.net

CEDC
CIVIL ENGINEERING
DESIGN CONSULTANTS

Site Improvement Plans for
LITTLE SUNSHINE PLAYHOUSE & PRESCHOOL
4220 Highway K
O'Fallon, Missouri 63368

Proj. # 1776	
No. Description	Date
To Utilities	05/22/18
Bid Set	05/30/18
To City	06/21/18
To City	07/17/18
To City	08/03/18

SEWER PROFILES AND DETAILS

C07