

Section 2721

Engineered Surface Drainage Products

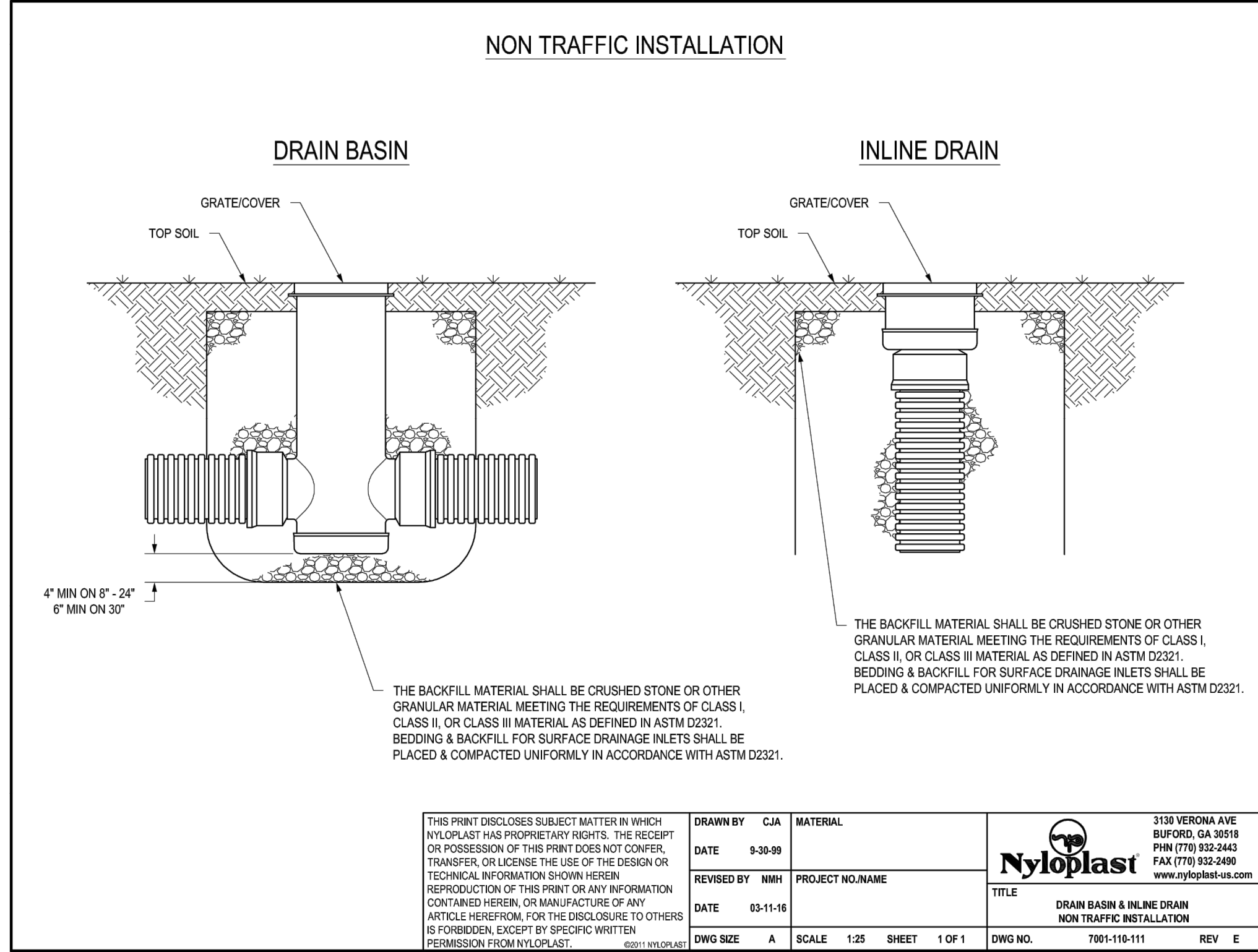
GENERAL
PVC surface drainage inlets shall include the drain basin type as indicated on the contract drawing and referenced within the contract specifications. The ductile iron grates for each of these fittings are to be considered an integral part of the surface drainage inlet and shall be furnished by the same manufacturer. The surface drainage inlets shall be as manufactured by Nyloplast a division of Advanced Drainage Systems, Inc., or prior approved equal.

MATERIALS
The drain basins required for this contract shall be manufactured from PVC pipe stock, utilizing a thermoforming process to reform the pipe stock to the specified configuration. The drainage pipe connection stubs shall be manufactured from PVC pipe stock and formed to provide a watertight connection with the specified pipe system. This joint tightness shall conform to ASTM D3212 for joints for drain and sewer plastic pipe using flexible elastomeric seals. The flexible elastomeric seals shall conform to ASTM F477. The pipe bell spigot shall be joined to the main body of the drain basin or catch basin. The raw material used to manufacture the pipe stock that is used to manufacture the main body and pipe stubs of the surface drainage inlets shall conform to ASTM D1784 cell class 12454.

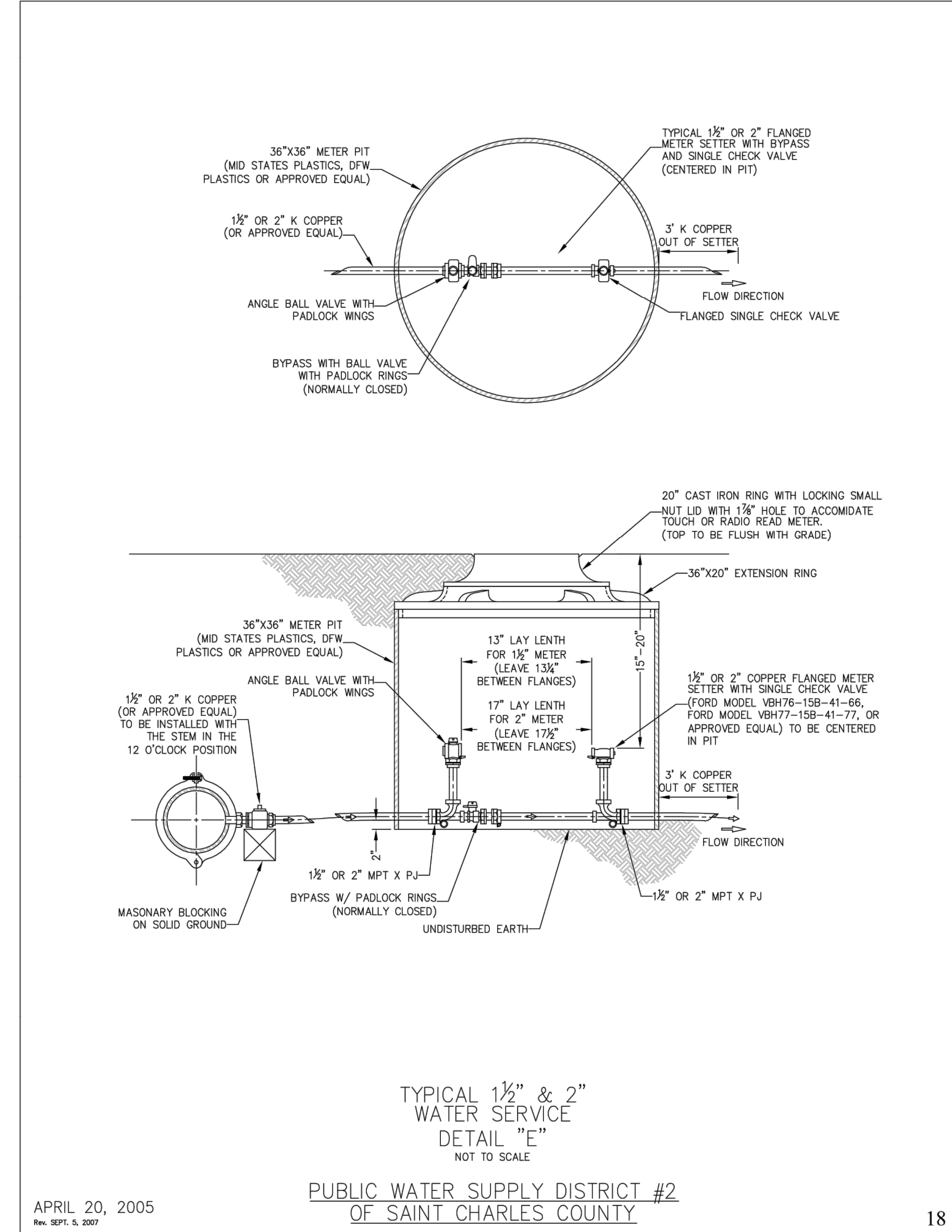
The grates and frames furnished for all surface drainage inlets shall be ductile iron for sizes 8", 10", 12", 15", 18", 24" and 30" and shall be made specifically for each basin so as to provide a round bottom flange that closely matches the diameter of the surface drainage inlet. Grates for drain basins shall be capable of supporting various wheel loads as specified by Nyloplast. 12" and 15" square grates will be hinged to the frame using pins. Ductile iron used in the manufacture of the castings shall conform to ASTM A536 grade 70-50-05. Grates and covers shall be provided painted black.

INSTALLATION
The specified PVC surface drainage inlet shall be installed using conventional flexible pipe backfill materials and procedures. The backfill material shall be crushed stone or other granular material meeting the requirements of class 1, class 2, or class 3 material as defined in ASTM D2321. Bedding and backfill for surface drainage inlets shall be well placed and compacted uniformly in accordance with ASTM D2321. The drain basin body will be cut at the time of the final grade. No brick, stone or concrete block will be required to set the grate to the final grade height. For load rated installations, a concrete slab shall be poured under and around the grate and frame. The concrete slab must be designed taking into consideration local soil conditions, traffic loading, and other applicable design factors. For other installation considerations such as migration of fines, ground water, and soft foundations refer to ASTM D2321 guidelines.

THIS PRINT DISCLOSES SUBJECT MATTER IN WHICH NYLOPLAST HAS PROPRIETARY RIGHTS. THE RECEIPT OR POSSESSION OF THIS PRINT DOES NOT CONFER, TRANSFER, OR LICENSE THE USE OF THE DESIGN OR TECHNICAL INFORMATION SHOWN HEREIN. REPRODUCTION OF THIS PRINT OR ANY INFORMATION CONTAINED HEREIN, OR MANUFACTURE OF ANY ARTICLE HEREFROM, FOR THE DISCLOSURE TO OTHERS IS FORBIDDEN, EXCEPT BY SPECIFIC WRITTEN PERMISSION FROM NYLOPLAST. E0011410010457	DRAWN BY	CJA	MATERIAL	3130 VERONA AVE BUFORD, GA 30518 PHN (770) 932-2443 FAX (770) 932-2499 www.nyloplast-us.com			
	DATE	3-10-06	PROJECT NO. NAME				
	REVISED BY	NNH	TITLE	8 IN - 30 IN DRAIN BASIN SPECIFICATIONS			
	DATE	03-11-16	DWG NO.	7001-110-011			
DWG SIZE	A	SCALE	1:1	SHEET	1 OF 1	REV	H



THIS PRINT DISCLOSES SUBJECT MATTER IN WHICH NYLOPLAST HAS PROPRIETARY RIGHTS. THE RECEIPT OR POSSESSION OF THIS PRINT DOES NOT CONFER, TRANSFER, OR LICENSE THE USE OF THE DESIGN OR TECHNICAL INFORMATION SHOWN HEREIN. REPRODUCTION OF THIS PRINT OR ANY INFORMATION CONTAINED HEREIN, OR MANUFACTURE OF ANY ARTICLE HEREFROM, FOR THE DISCLOSURE TO OTHERS IS FORBIDDEN, EXCEPT BY SPECIFIC WRITTEN PERMISSION FROM NYLOPLAST. E0011410010457	DRAWN BY	CJA	MATERIAL	3130 VERONA AVE BUFORD, GA 30518 PHN (770) 932-2443 FAX (770) 932-2499 www.nyloplast-us.com			
	DATE	9-30-09	PROJECT NO. NAME				
	REVISED BY	NNH	TITLE	DRAIN BASIN & INLINE DRAIN NON TRAFFIC INSTALLATION			
	DATE	03-11-16	DWG NO.	7001-110-111			
DWG SIZE	A	SCALE	1:25	SHEET	1 OF 1	REV	E



STATE OF MISSOURI
REGISTERED PROFESSIONAL ENGINEER
BRANDON A. HARP, P.E. E-28650
CEDC LICENSE NO.: 2003004674

10820 Sunset Office Drive
Suite 200
Saint Louis, Missouri 63127
314-729-1400
Fax: 314-729-1404
www.cedc.net

CEDC
CIVIL ENGINEERING
DESIGN CONSULTANTS

Site Improvement Plans for
LITTLE SUNSHINE PLAYHOUSE & PRESCHOOL
4220 Highway K
O'Fallon, Missouri 63368

Proj. #	1776	
No.	Description	Date
To	Utilities	05/22/18
To	Bid Set	05/30/18
To	City	06/21/18
To	City	07/17/18
To	City	08/03/18

SITE DETAILS

C08

