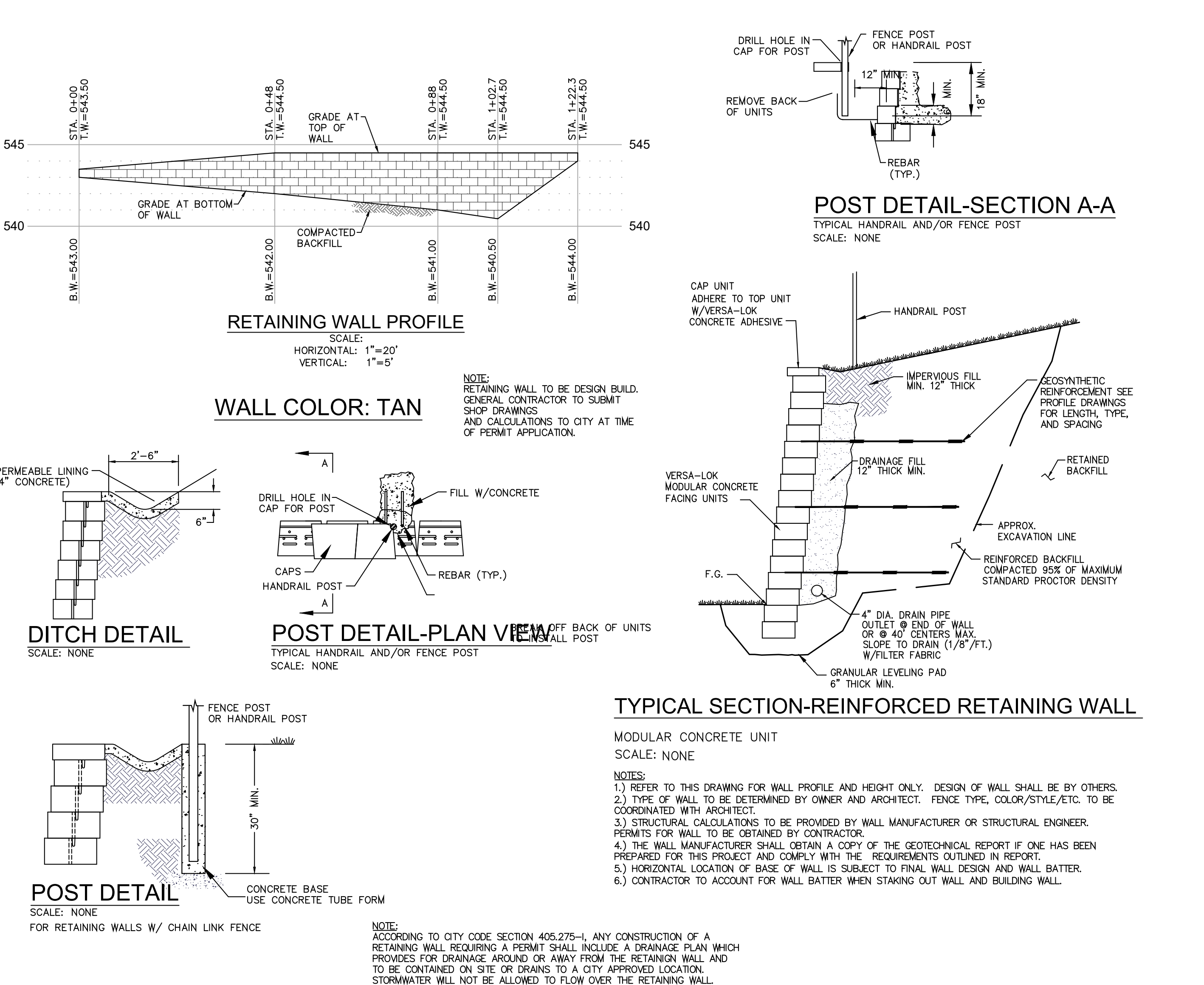
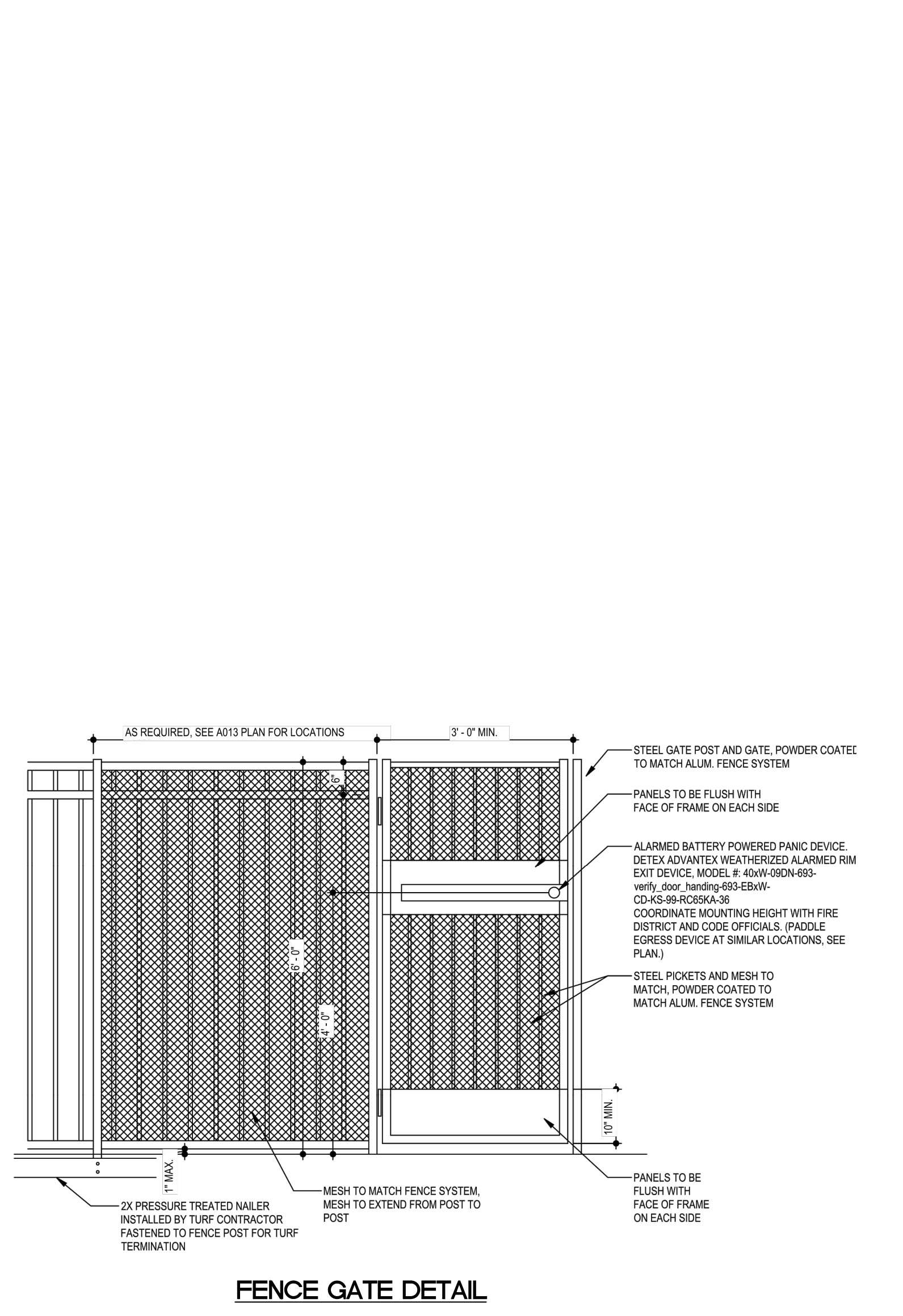
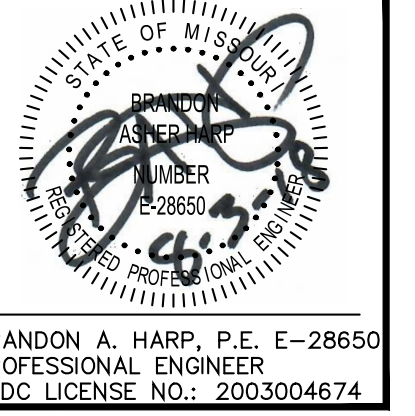
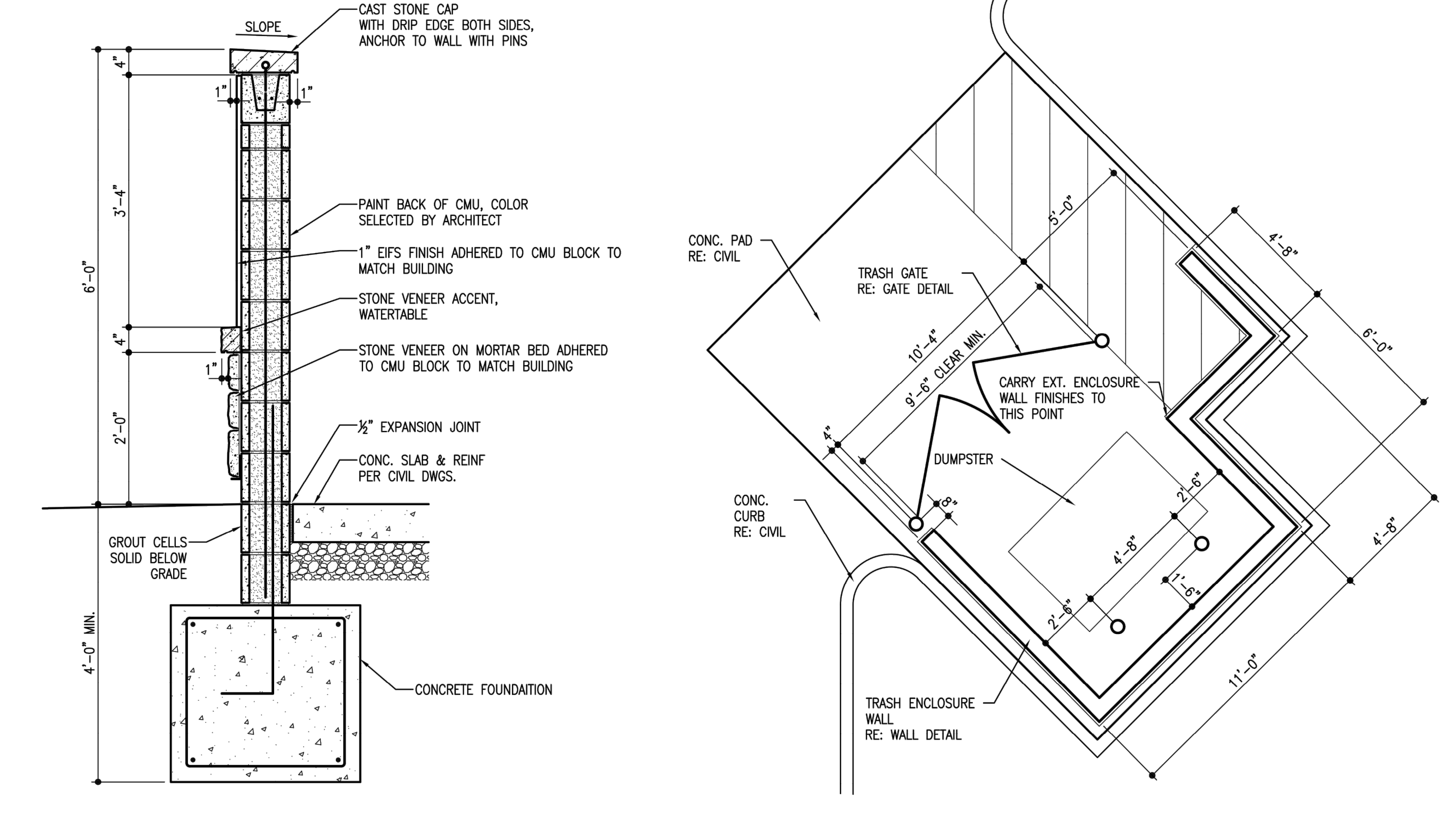
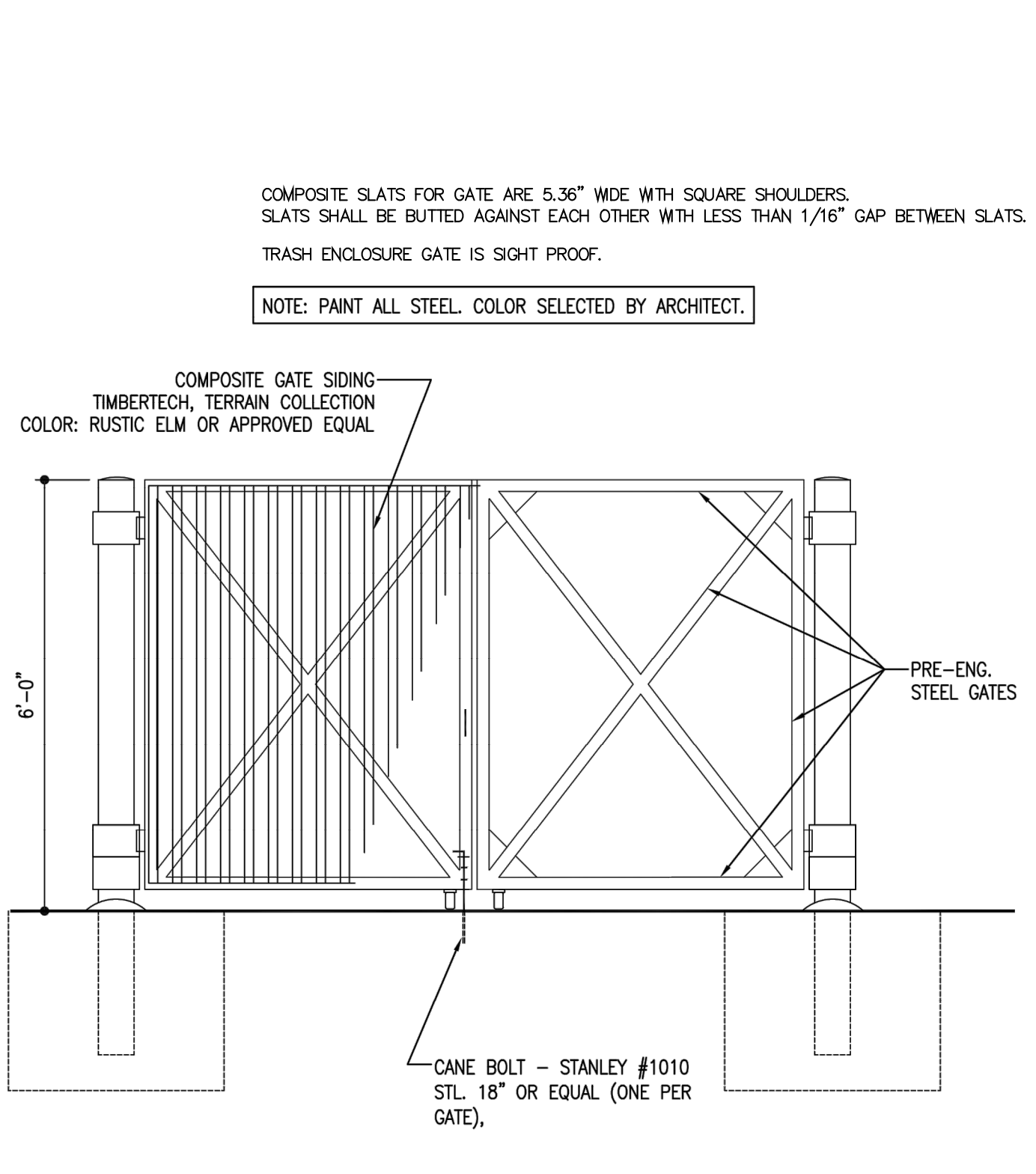
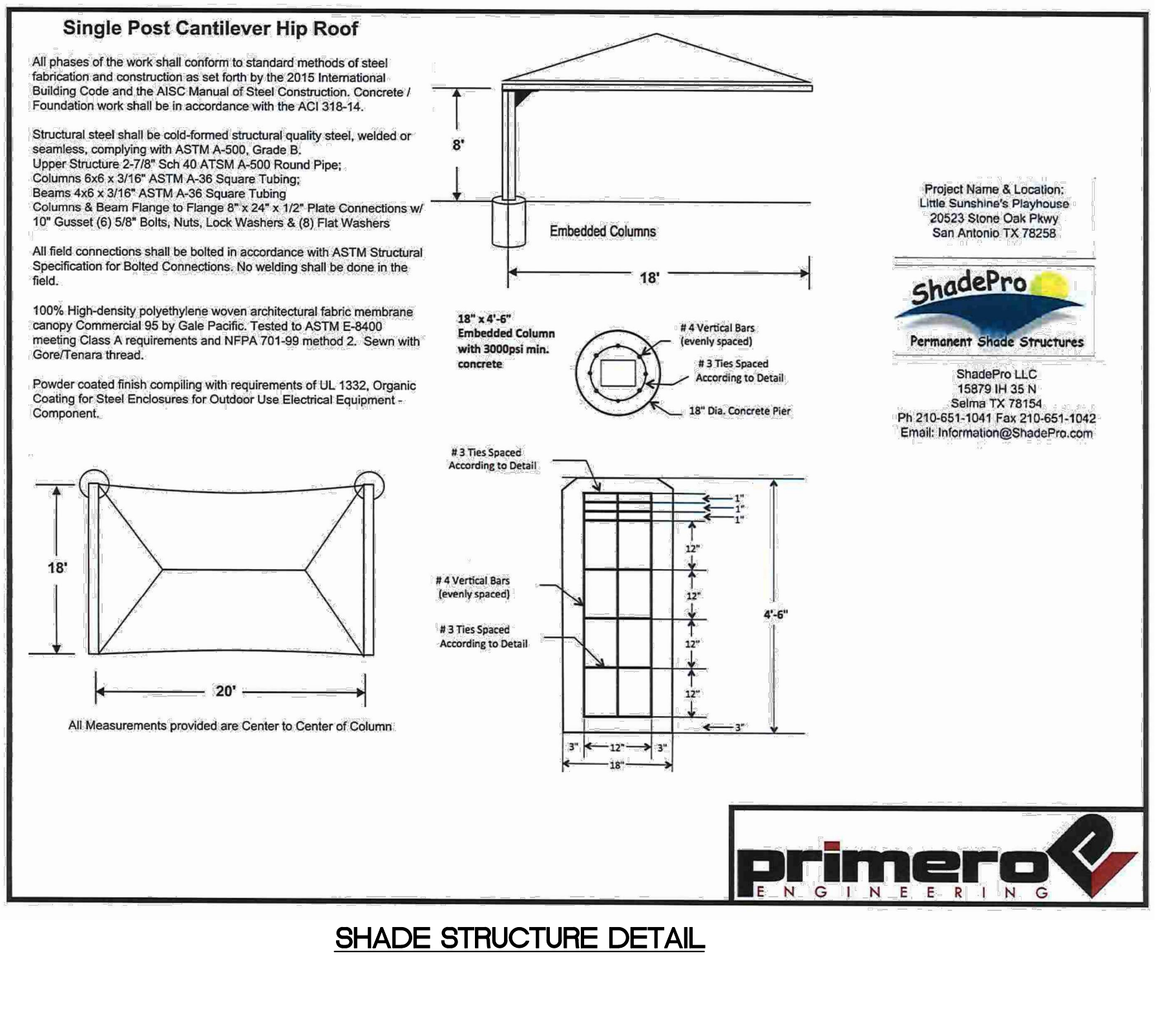


PLEASE SEE ARCHITECTURAL DRAWING A013 FOR FENCE & GATE DETAILS FOR CONSTRUCTION



PLEASE SEE ARCHITECTURAL DRAWING A012 FOR TRASH ENCLOSURE DETAILS FOR CONSTRUCTION



10820 Sunset Office Drive
Suite 200
Saint Louis, Missouri 63127
314-729-1400
314-729-1404
www.cedc.net

CEDC
CIVIL ENGINEERING
DESIGN CONSULTANTS

Site Improvement Plans for
LITTLE SUNSHINE PLAYHOUSE & PRESCHOOL
4220 Highway K
O'Fallon, Missouri 63368

Proj. # 1776

No.	Description	Date
To Utilities	05/22/18	
Bid Set	05/30/18	
To City	06/21/18	
To City	07/17/18	
To City	08/03/18	

SITE DETAILS

C10