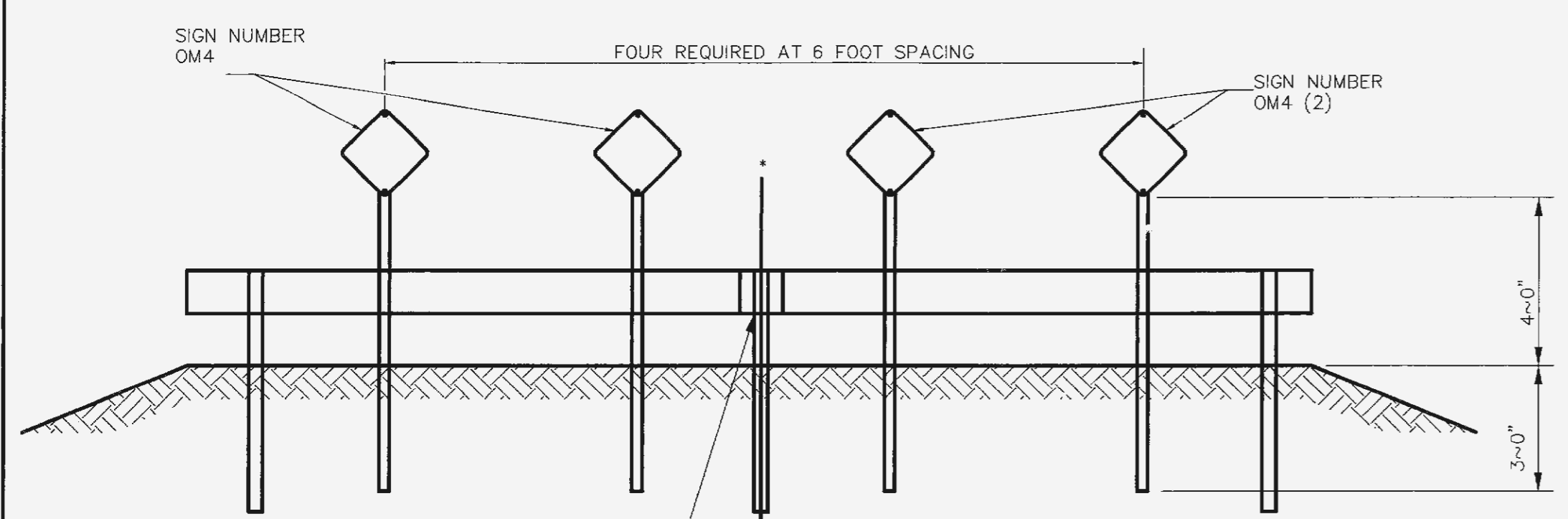
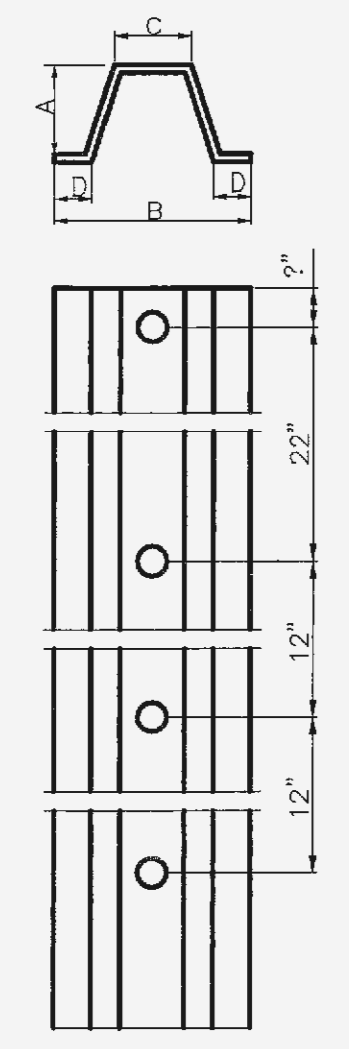


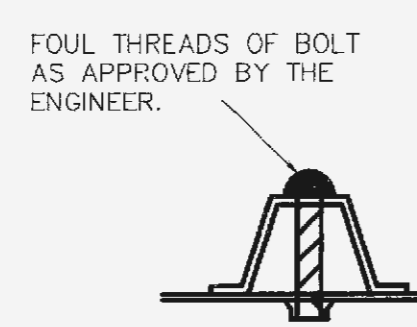
REVISIONS:
09-19-06 Per City Comments
10-02-06 Per MODOOT
10-02-06 Per Duckett Creek
10-12-06 Per Client
10-17-06 Per Duckett Creek
11-08-06 Per Cottleville Fire



TYPE D GUARD RAIL IF SPECIFIED
MOUNTING DETAILS
(END OF ROAD OR STREET)
TYPE 4 OBJECT MARKER
SIGN OM4
(2) RED MDDOT TYPE 7 REFLECTIVE SHEETING ON
0.080 SHEET ALUMINUM.



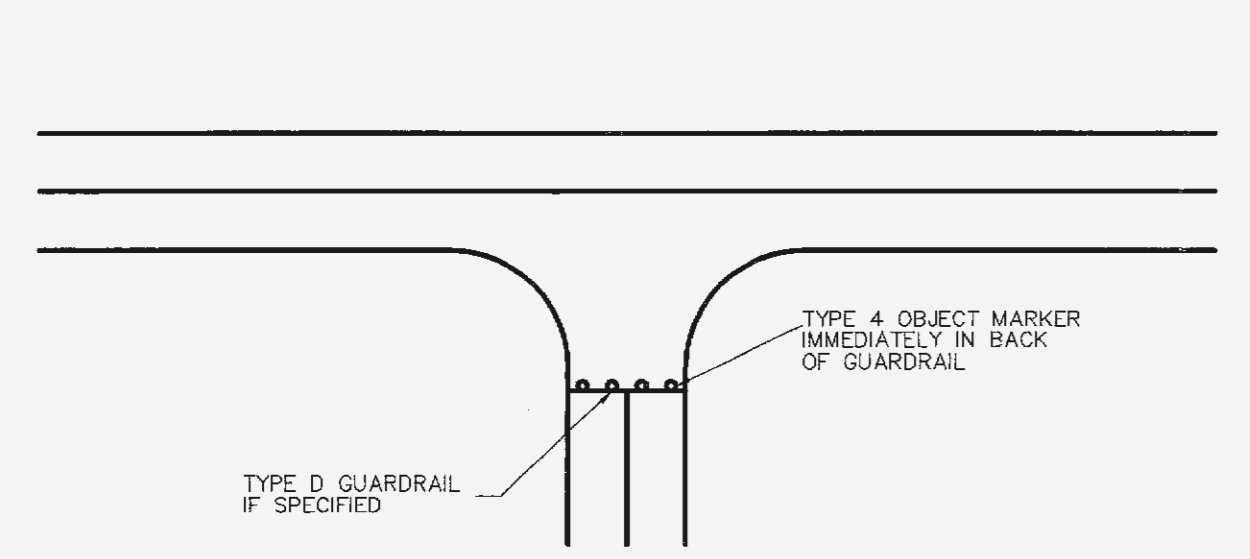
HOLE PUNCHING SHOWN IS THE MINIMUM NUMBER AND SPACING ALLOWED. THE MAXIMUM HOLE PUNCHING ALLOWED IS 3/8" INCH DIAMETER HOLES, ONE INCH CENTER TO CENTER, BEGINNING ONE INCH FROM THE END AND CONTINUING THE ENTIRE LENGTH OF THE POST.



| STEEL OBJECT MARKER POST | | DIMENSIONS - INCHES | | | |
|--------------------------|--------------|---------------------|-------|-------|---|
| LIMITS | LBS./FT. (S) | A | B | C | D |
| MIN. | 1.80 | 1 1/2 | 2 1/2 | ? | ? |
| MAX. | 2.25 | 1 1/2 | 3 1/2 | 1 1/2 | ? |

(3) WEIGHT BEFORE GALVANIZING OR PUNCHING LIMITS SHOWN ARE ABSOLUTE. NO FURTHER WEIGHT, DIMENSIONAL OR COMMERCIAL TOLERANCE WILL BE ACCEPTABLE.

OBJECT MARKER POST AND FASTENER DETAILS



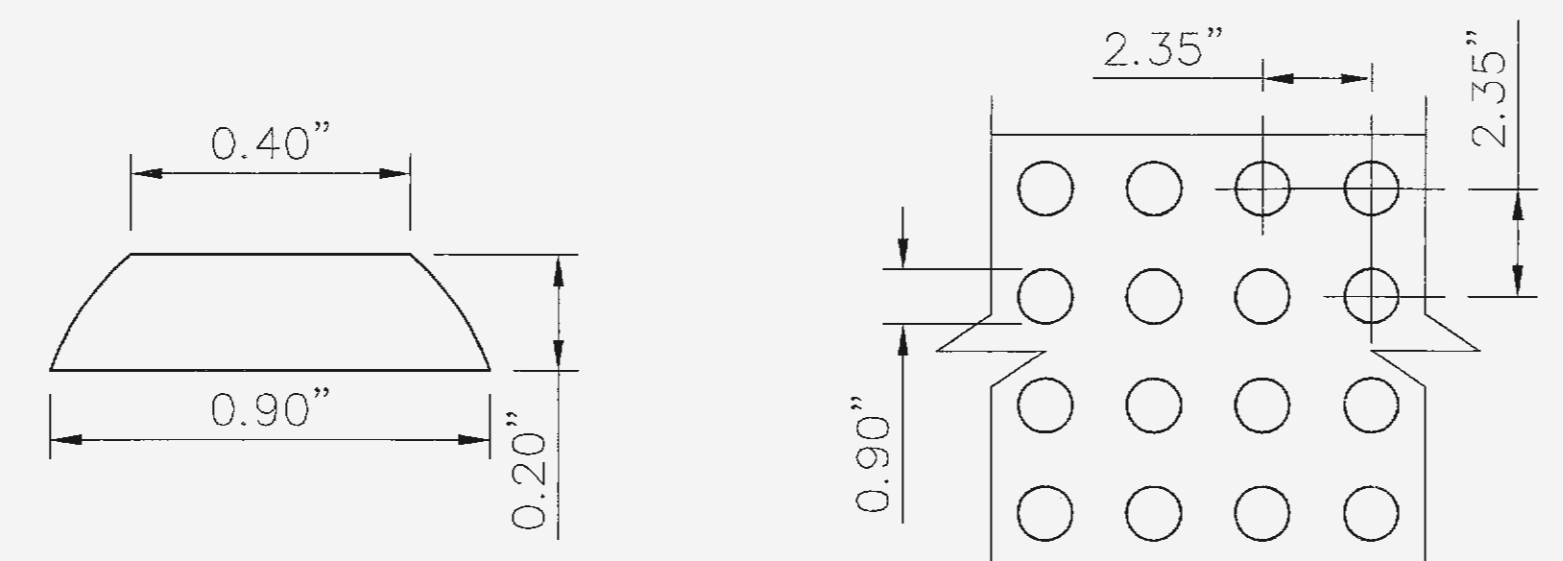
TYPICAL ROAD CLOSED

GENERAL NOTES:

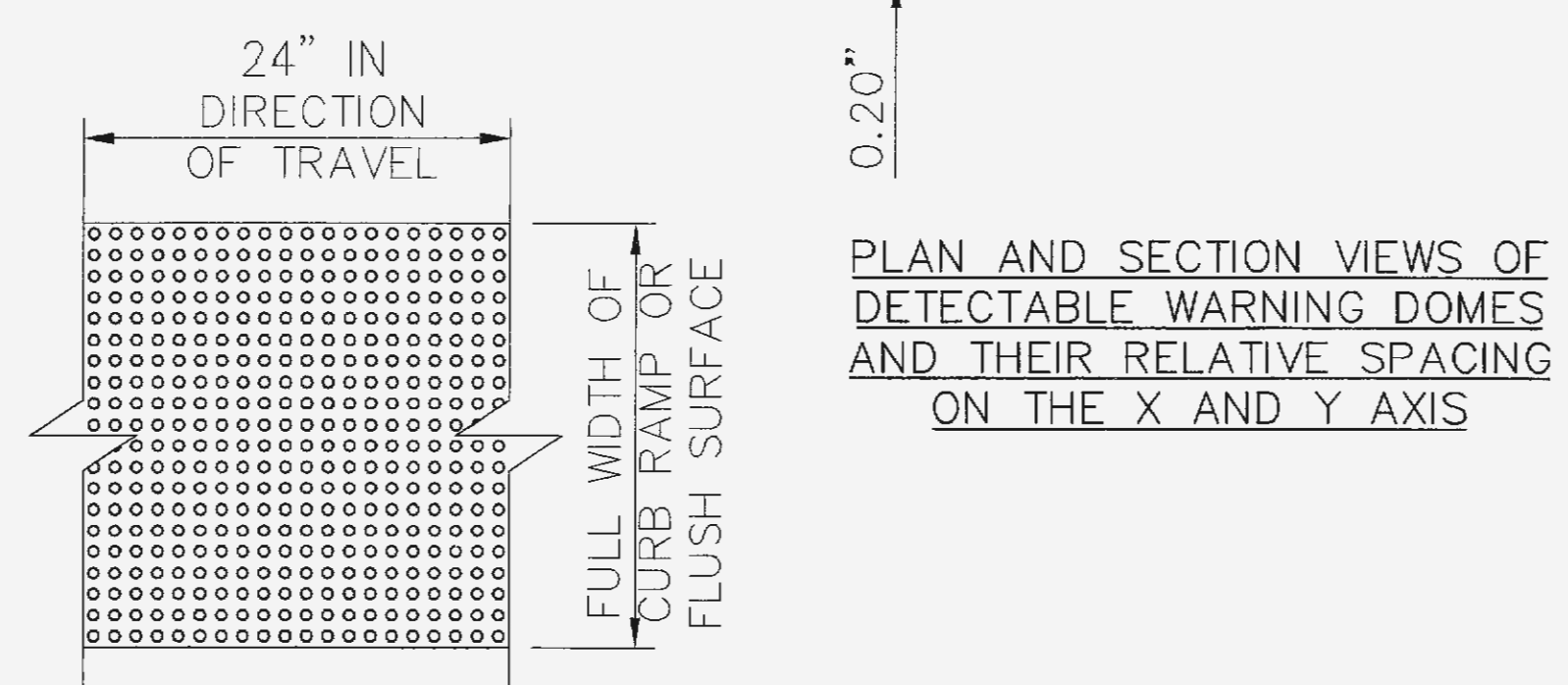
THE CONTRACT UNIT PRICE FOR EACH MILE MARKER AND TYPE 4 OBJECT MARKER SHALL INCLUDE SIGN PANEL, REFLECTIVE SHEETING, AND POST, REGARDLESS OF LENGTH.

SIGN MOUNTING DETAILS
DELINEATORS, MILE MARKERS
AND OBJECT MARKERS

06-01-2006 903.03BC



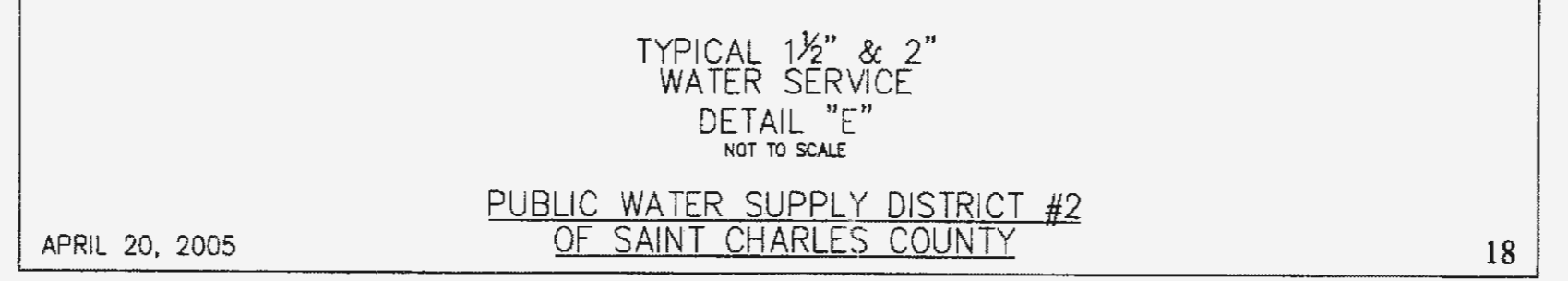
SECTION VIEW OF DOME



PLAN AND SECTION VIEWS OF
DETECTABLE WARNING DOMES
AND THEIR RELATIVE SPACING
ON THE X AND Y AXIS

PLAN VIEW OF A DETECTABLE WARNING SURFACE
SHOWING DOMES ALIGNED IN ROWS, NOT SKEWED
DIAGONALLY.

TYPICAL DETAIL OF DETECTABLE WARNING SURFACE
NOT TO SCALE

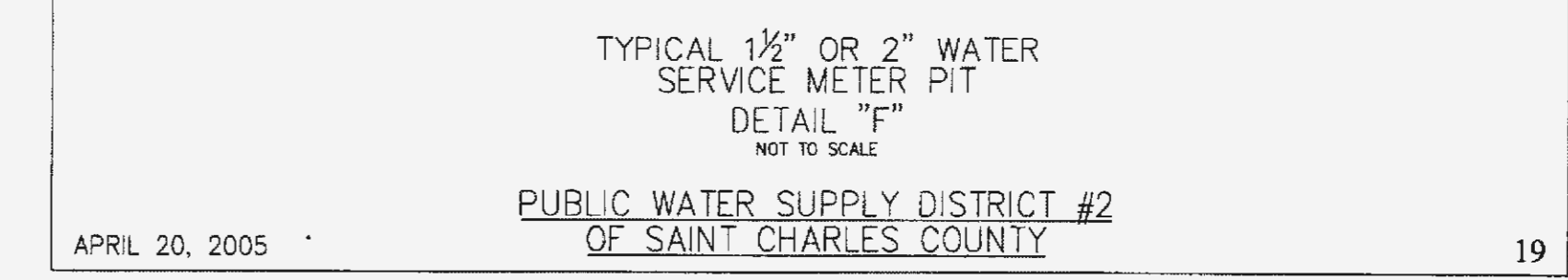


TYPICAL 1 1/2" & 2"
WATER SERVICE
DETAIL "E"
NOT TO SCALE

PUBLIC WATER SUPPLY DISTRICT #2
OF SAINT CHARLES COUNTY

APRIL 20, 2005

18

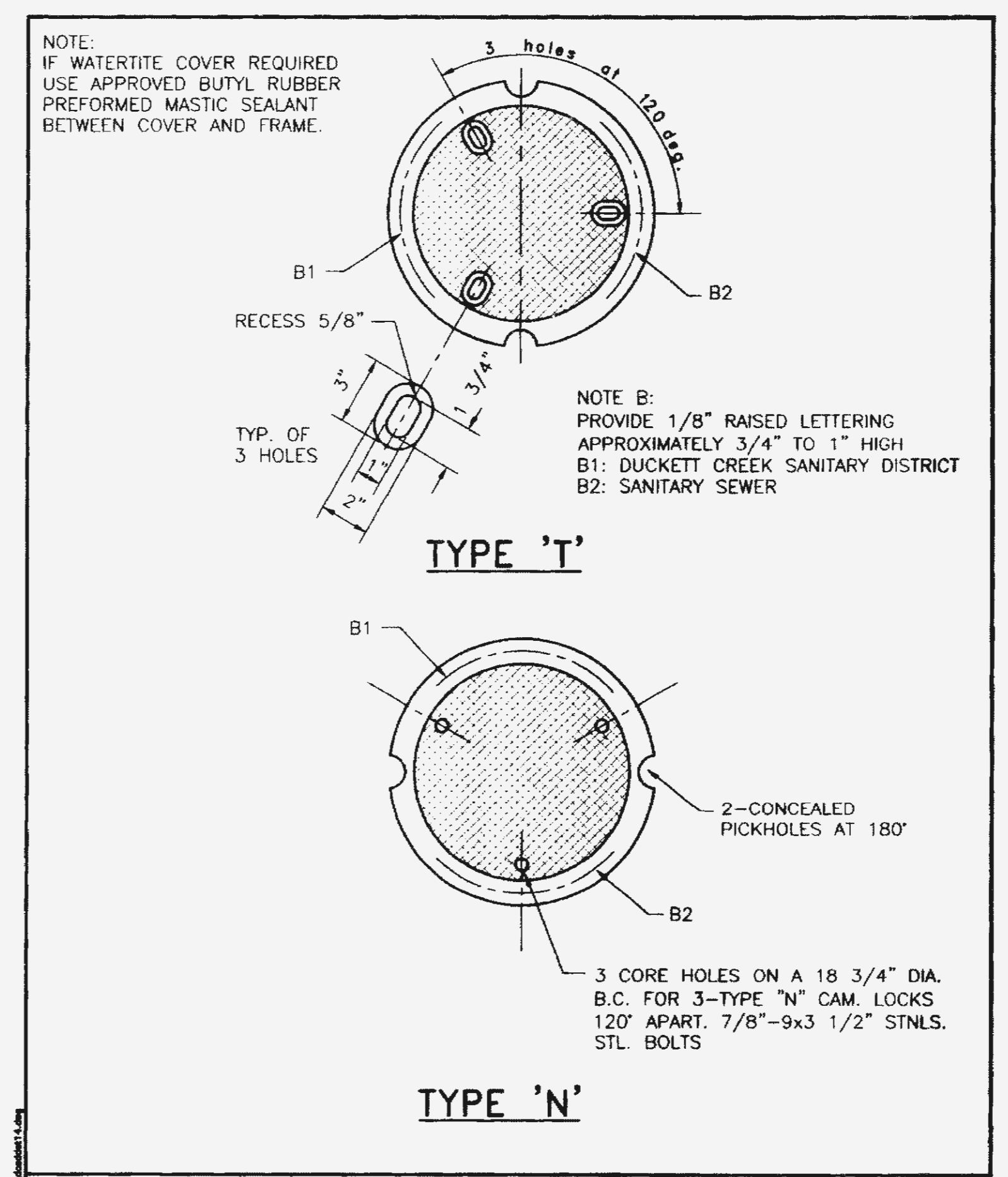


TYPICAL 1 1/2" OR 2"
WATER SERVICE METER PIT
DETAIL "F"
NOT TO SCALE

PUBLIC WATER SUPPLY DISTRICT #2
OF SAINT CHARLES COUNTY

APRIL 20, 2005

19



DUCKETT CREEK SANITARY DISTRICT
CAST IRON MANHOLE
COVERS
(LOCK TYPE)

Own By: BSM App By: KLA Detail No. 14
Ctd By: MDOB Date: 12-27-00

E:\DWG\A13500FLUS\13706-1 Lou Fusz\Constr action\13706Con.dwg, DETAILS(10), 11/27/2006 11:49:00 AM, Sta 35 RW