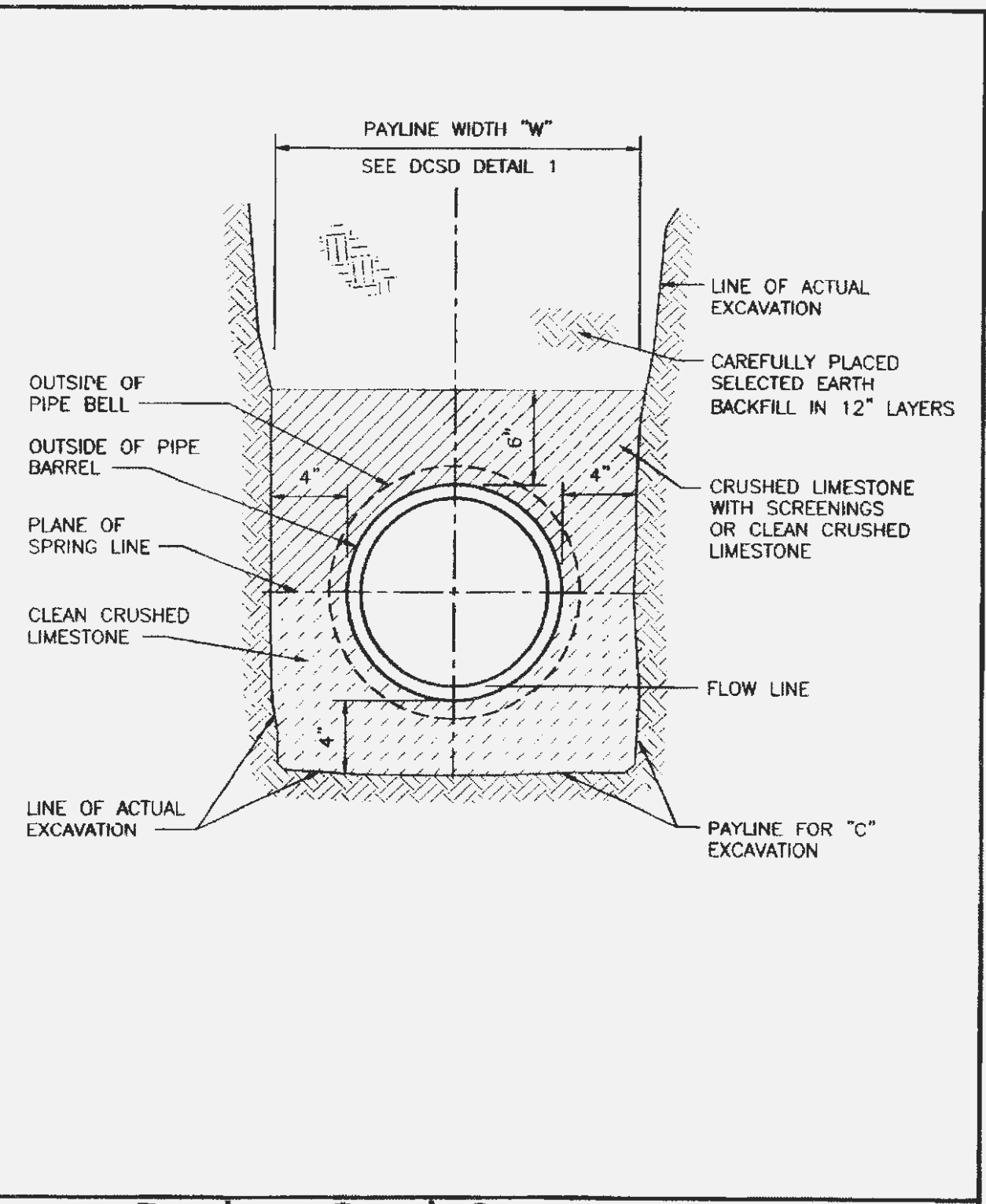


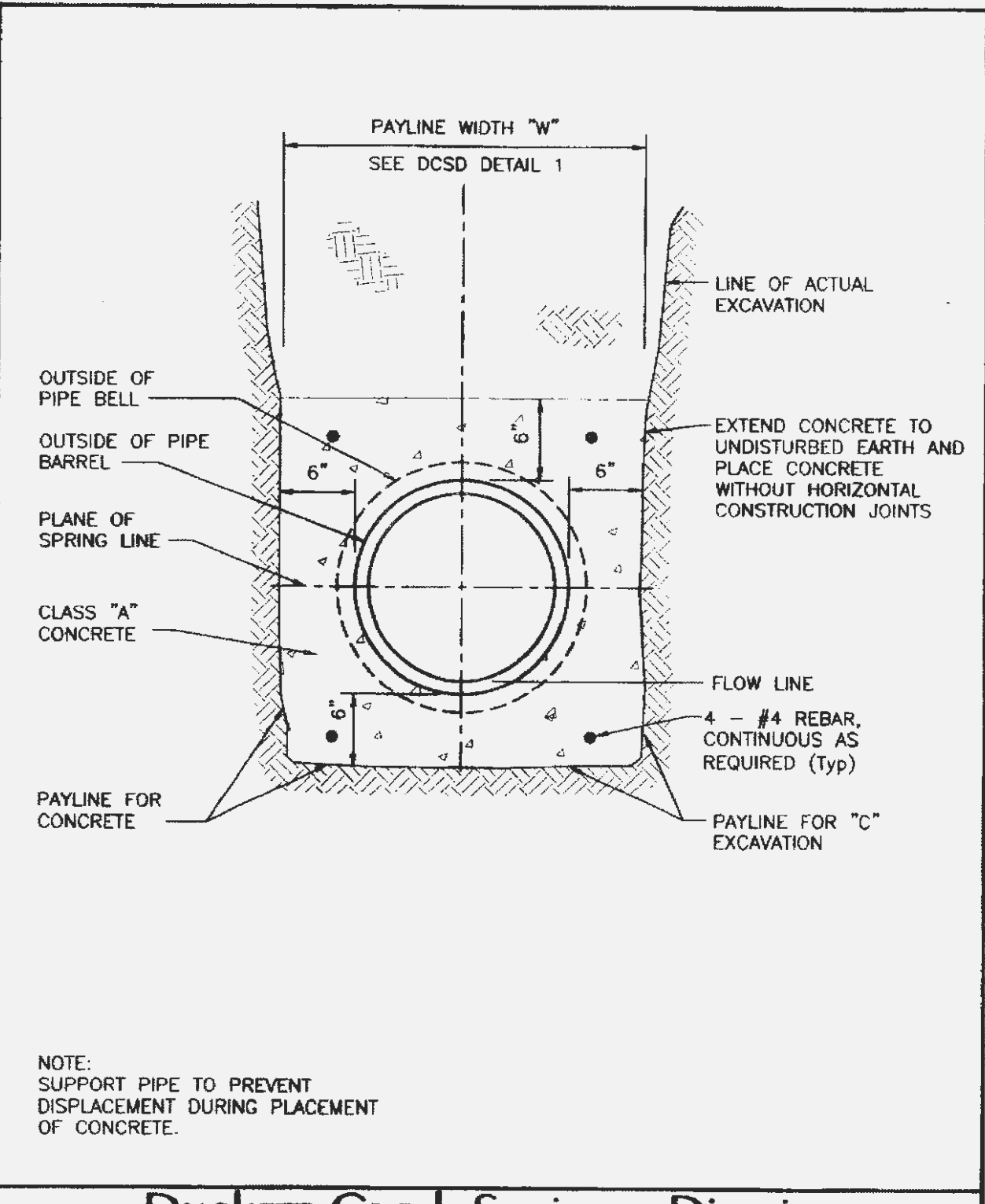
REVISIONS:  
 09-19-06 Per City Comments  
 10-02-06 Per MDOOT  
 10-02-06 Per Duckett Creek  
 10-12-06 Per Client  
 10-17-06 Per Duckett Creek  
 11-08-06 Per Cottleville Fire

ROUND PIPE				HORIZONTAL ELLIPTICAL PIPE			
INSIDE DIAMETER OF PIPE (INCHES)	"W" PAYLINE WIDTH OF TRENCH (INCHES)	"W" PAYLINE WIDTH OF TRENCH (FEET)	PAY-VOLUMES CU. FT. PER FT. CONCRETE ENCASUREMENT	INSIDE DIAMETER OF PIPE (INCHES)	"W" PAYLINE WIDTH OF TRENCH (INCHES)	"W" PAYLINE WIDTH OF TRENCH (FEET)	PAY-VOLUMES CU. FT. PER FT. CONCRETE ENCASUREMENT
4	30	2.50	3.28				
6	30	2.50	3.59				
8	30	2.50	3.87				
10	30	2.50	4.09				
12	30	2.50	4.25				
15	36	3.00	5.55				
18	36	3.00	5.77	14 x 23	41	3.42	5.94
21	39	3.25	6.61				
24	42	3.50	7.39	19 x 30	49	4.08	7.68
27	45	3.75	8.18	22 x 34	53	4.42	8.61
30	49	4.08	9.30	24 x 38	58	4.83	9.70
33	53	4.42	10.53	27 x 42	62	5.17	10.71
36	56	4.67	11.43	29 x 45	66	5.50	11.72
39	DISCONTINUED			32 x 49	71	5.92	13.14
42	63	5.25	13.38	34 x 53	75	6.25	14.05
48	70	5.83	15.67	38 x 60	83	6.92	16.18
54	77	6.42	18.15	43 x 68	92	7.67	18.81
60	84	7.00	20.73	48 x 76	101	8.42	21.59
66	91	7.58	23.45	53 x 83	109	9.08	24.35
72	98	8.17	26.37	58 x 91	118	9.83	27.45
78	105	8.75	29.39	63 x 98	126	10.50	30.50
84	112	9.33	32.57	68 x 106	135	11.25	33.91
90	119	9.92	35.90	72 x 113	143	11.92	36.99
96	126	10.50	39.37	77 x 121	152	12.67	40.69
102	133	11.08	42.99	82 x 128	160	13.33	44.45
108	140	11.67	46.75	87 x 136	168	14.00	47.79
114	147	12.25	50.66	92 x 143	176	14.67	51.70
120	154	12.83	54.72	97 x 151	185	15.42	56.01
126	161	13.42	58.92				
132	168	14.00	63.27	106 x 166	202	16.83	64.48
144	182	15.17	72.40	116 x 180	218	18.17	73.59

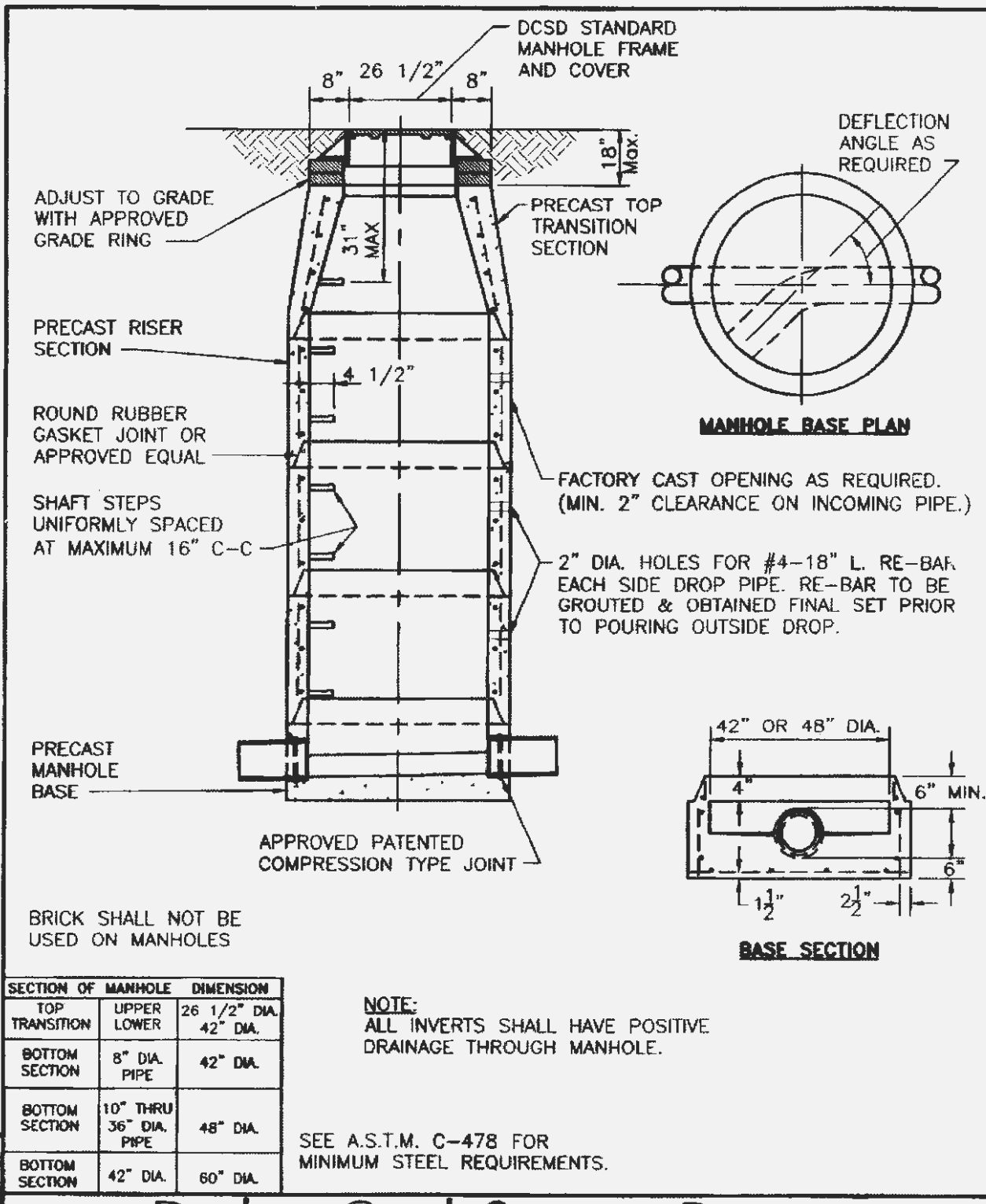
**Duckett Creek Sanitary District**  
 PAYLINE WIDTHS OF TRENCH AND PAY-QUANTITIES OF CONCRETE  
 Dwn By: BSM App By: KLA Detail No. 1  
 Cld By: MDOB Date: 12-21-99



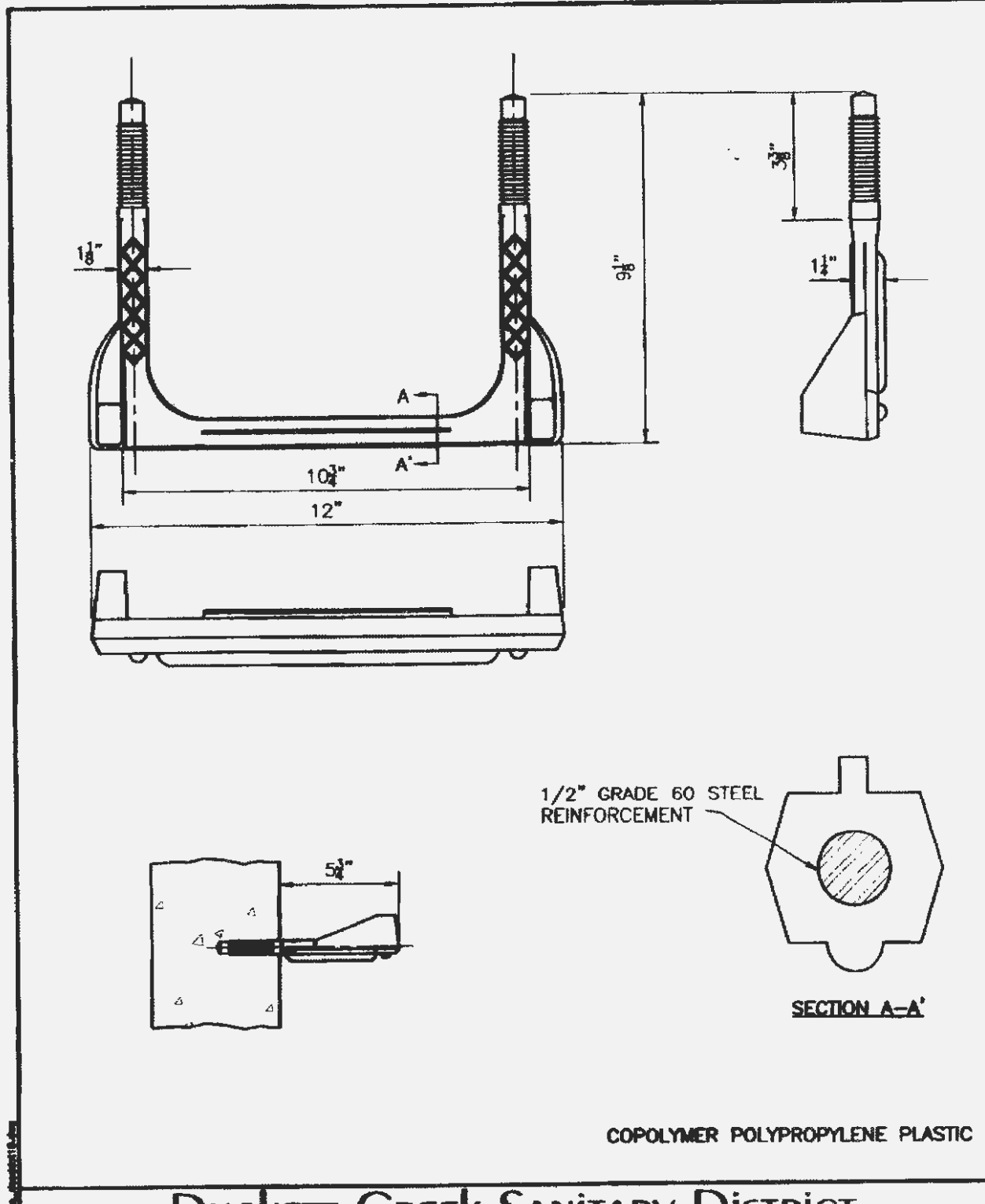
**Duckett Creek Sanitary District**  
 PIPE BEDDING CLASS "C" (FOR ALL PIPE EXCEPT REINFORCED CONCRETE PIPE)  
 Dwn By: BSM App By: KLA Detail No. 3  
 Cld By: MDOB Date: 12-21-99



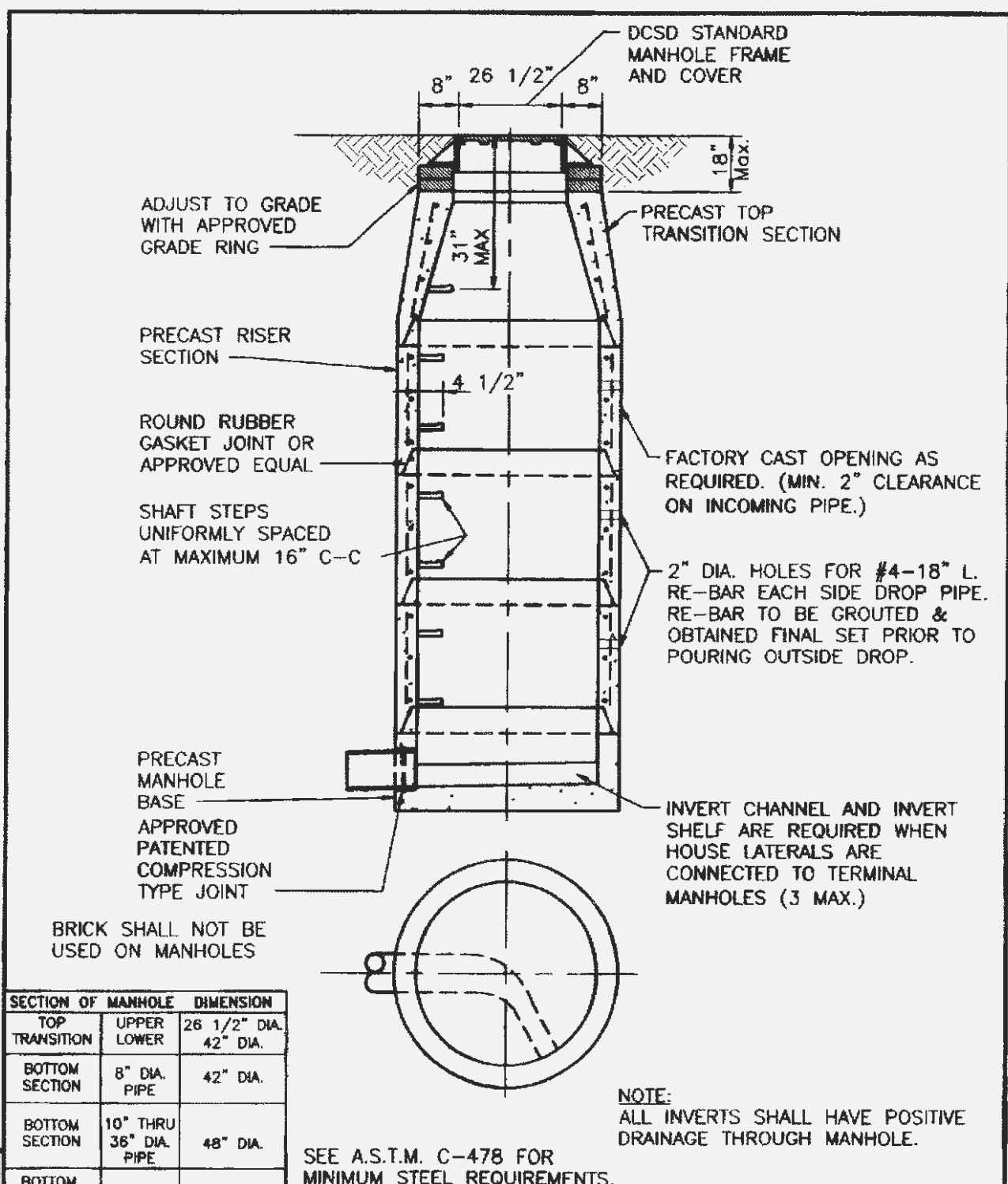
**Duckett Creek Sanitary District**  
 TYPICAL CONCRETE ENCASUREMENT  
 Dwn By: BSM App By: KLA Detail No. 4  
 Cld By: MDOB Date: 12-21-99



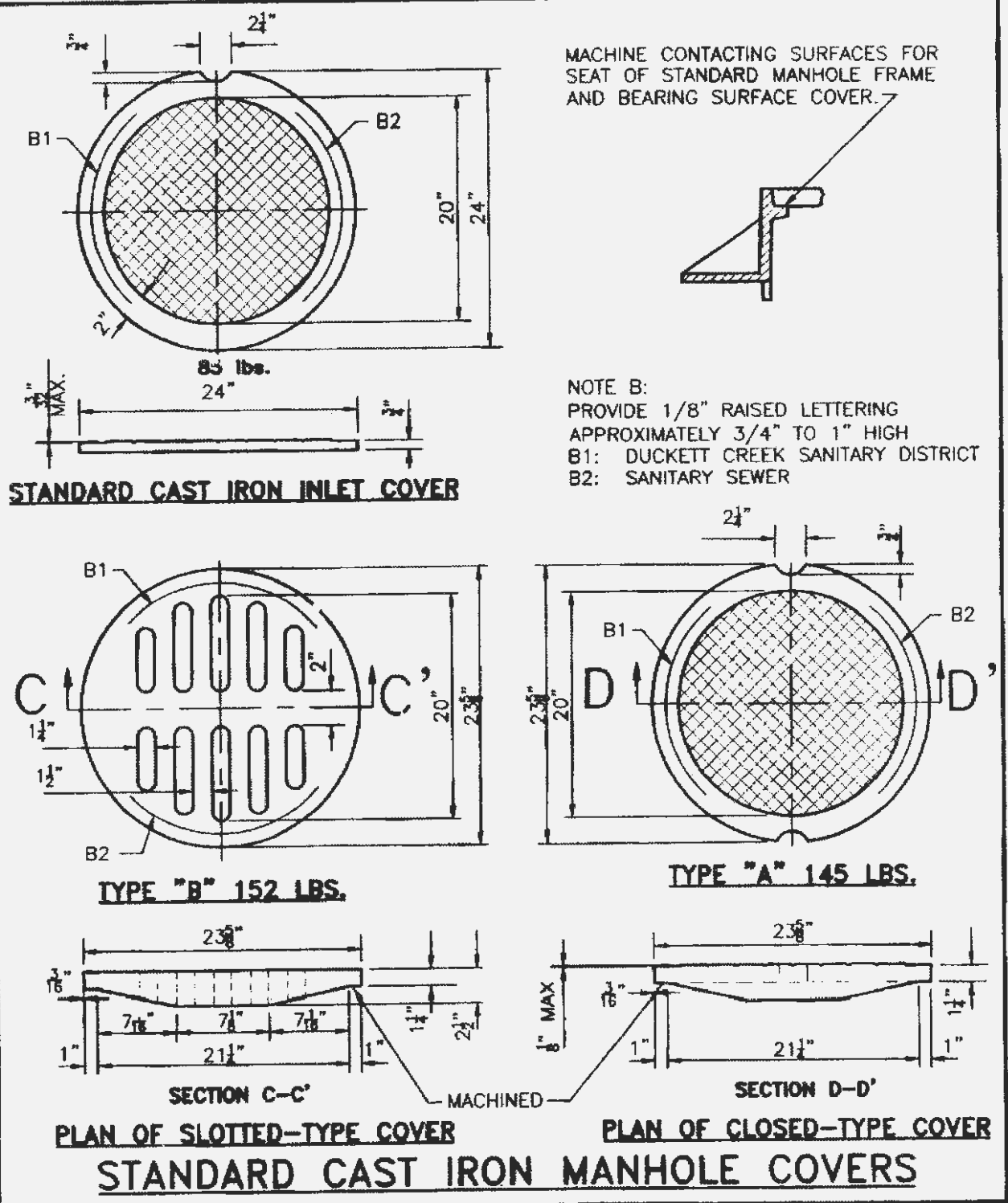
**Duckett Creek Sanitary District**  
 PRE-CAST CONCRETE MANHOLE FOR SEWERS 8" THROUGH 18"  
 Dwn By: BSM App By: KLA Detail No. 7  
 Cld By: MDOB Date: 12-30-99



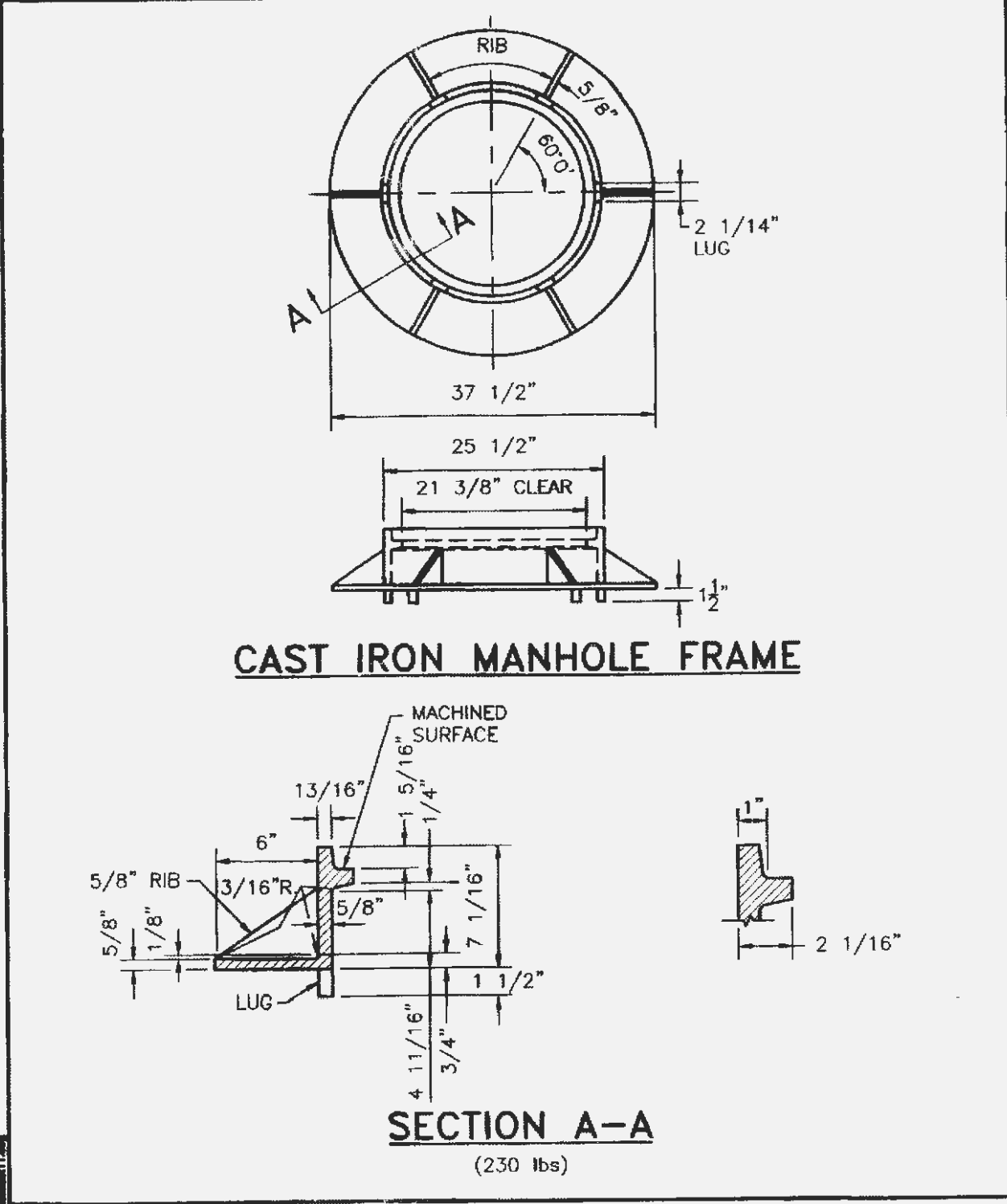
**Duckett Creek Sanitary District**  
 MANHOLE STEP PRECAST MANHOLE  
 Dwn By: BSM App By: KLA Detail No. 18  
 Cld By: MDOB Date: 1-3-01



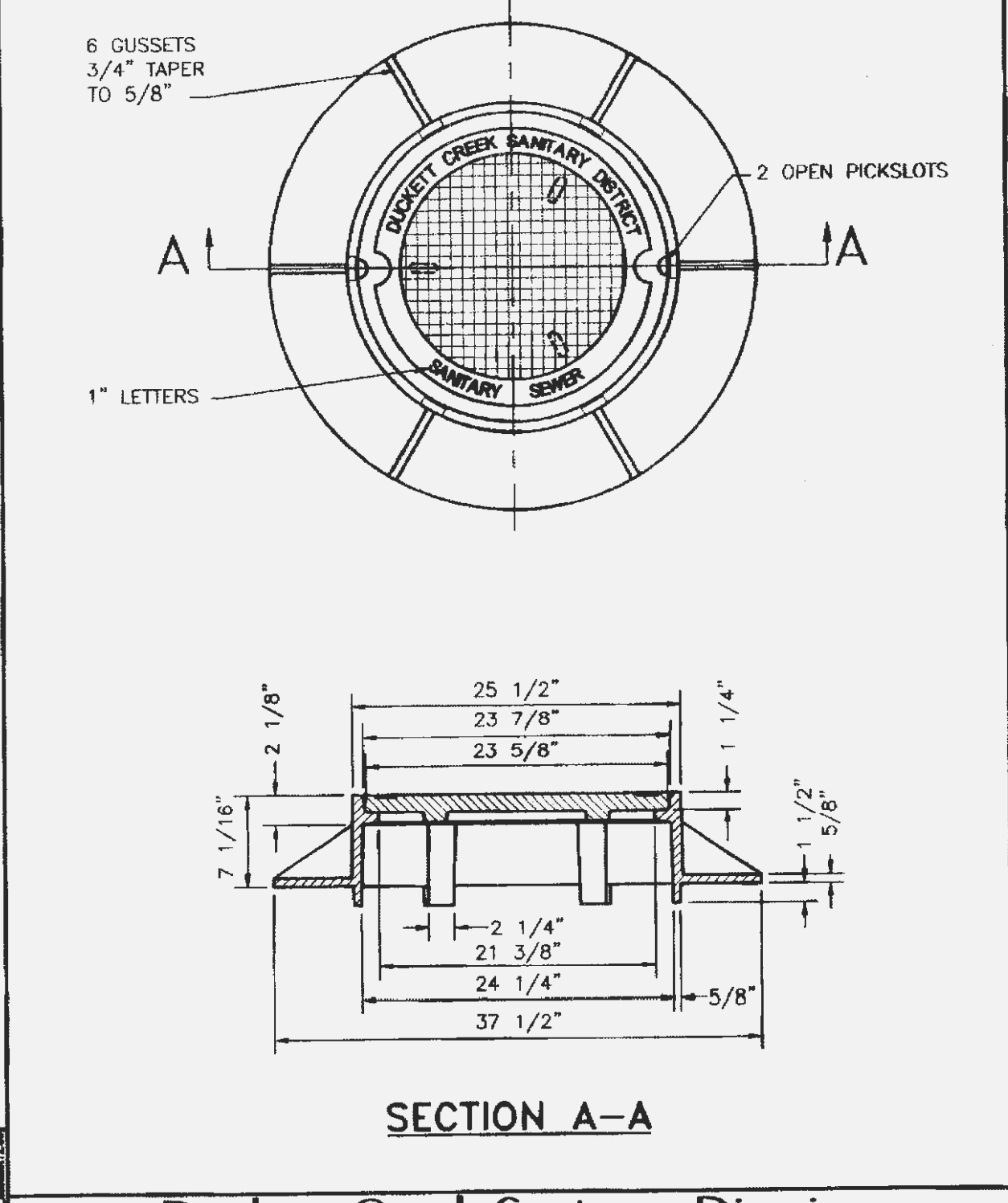
**Duckett Creek Sanitary District**  
 TERMINAL MANHOLE FOR SEWERS 8" THROUGH 18"  
 Dwn By: BSM App By: KLA Detail No. 8  
 Cld By: MDOB Date: 01-03-00



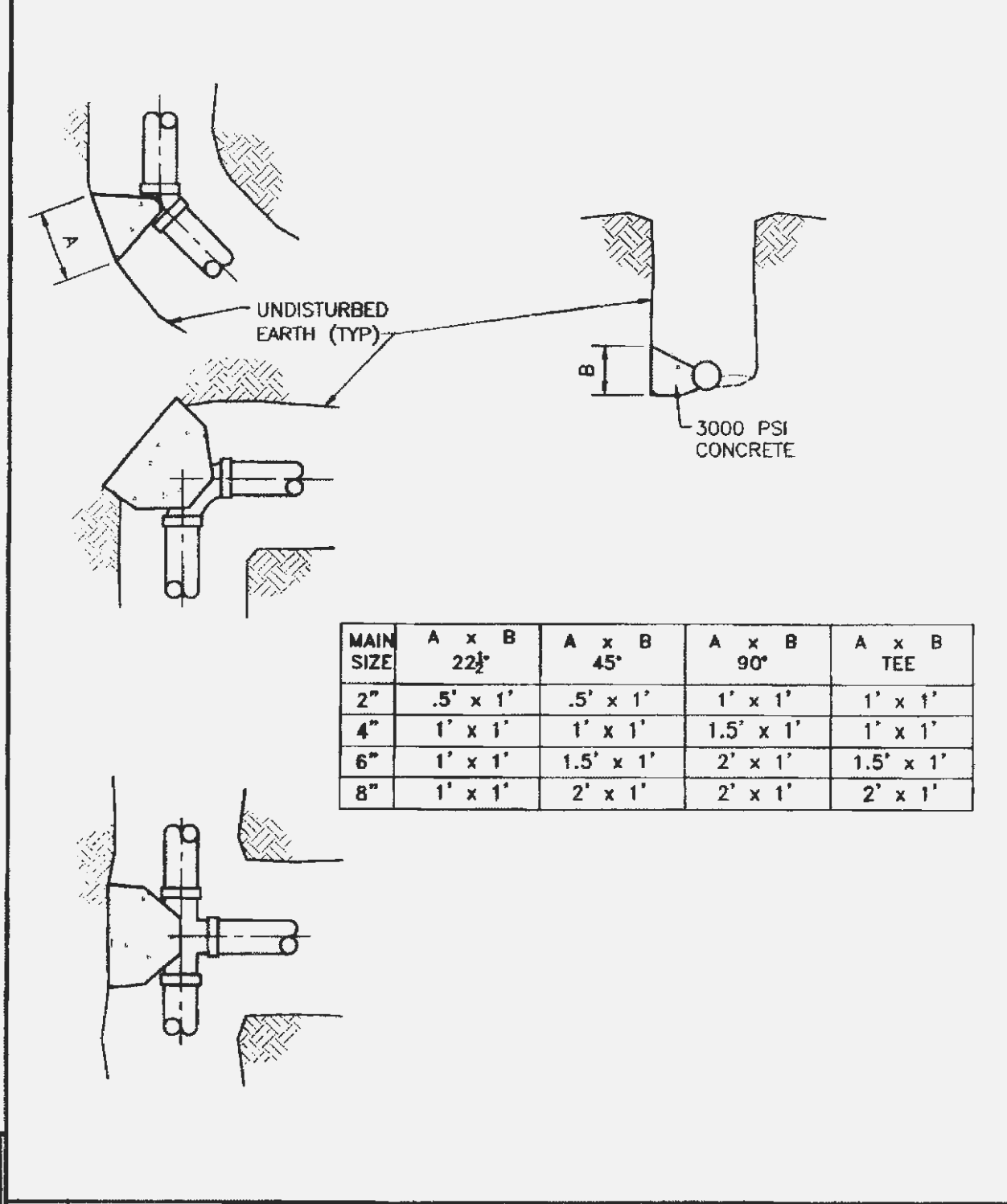
**Duckett Creek Sanitary District**  
 CAST IRON COVERS MANHOLES AND INLETS  
 Dwn By: BSM App By: KLA Detail No. 13  
 Cld By: MDOB Date: 12-22-00



**Duckett Creek Sanitary District**  
 CAST IRON MANHOLE FRAME  
 Dwn By: BSM App By: KLA Detail No. 11  
 Cld By: MDOB Date: 01-14-00



**Duckett Creek Sanitary District**  
 MANHOLE FRAME AND COVER  
 Dwn By: BSM App By: KLA Detail No. 12  
 Cld By: MDOB Date: 01-14-00



**Duckett Creek Sanitary District**  
 THRUST BLOCK DETAIL AND SIZE SCHEDULE  
 Dwn By: BSM App By: KLA Detail No. 29  
 Cld By: MDOB Date: 1-9-01

E:\DWG\A135001\US\13706-Lou Fusz\Constr uc\loc\13706-13706.dwg, DUCKETT DETAILS(12), 11/27/2006 11:40:28 AM, Sta 35 KW