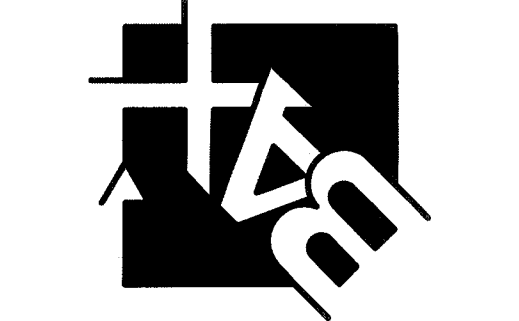
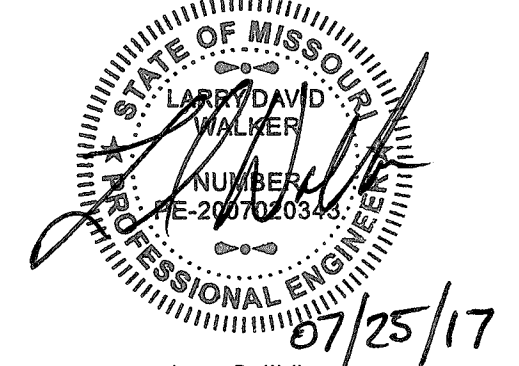


**ENGINEERING
 PLANNING
 SURVEYING**
 221 Point West Blvd.
 St. Charles, MO 63301
 636-928-5562
 FAX 636-928-1718



DISCLAIMER OF RESPONSIBILITY
 I hereby specify that the documents intended to be
 authenticated by my seal are limited to this sheet,
 and I hereby disclaim any responsibility for all other
 drawings, specifications, estimates, reports or other
 documents or instruments relating to or intended to
 be used for any part or parts of the architectural or
 engineering project or survey.



Larry D. Walker
 Civil Engineer
 Engineers License No. 2007020343
 Box Engineering Company, Inc.
 Missouri State Certificate of Authority
 Engineering #000655
 Missouri State Certificate of Authority
 Surveying #000144

REVISIONS

06-23-17	CITY COMMENTS
06-28-17	MODOT COMMENTS
07-20-17	CITY COMMENTS

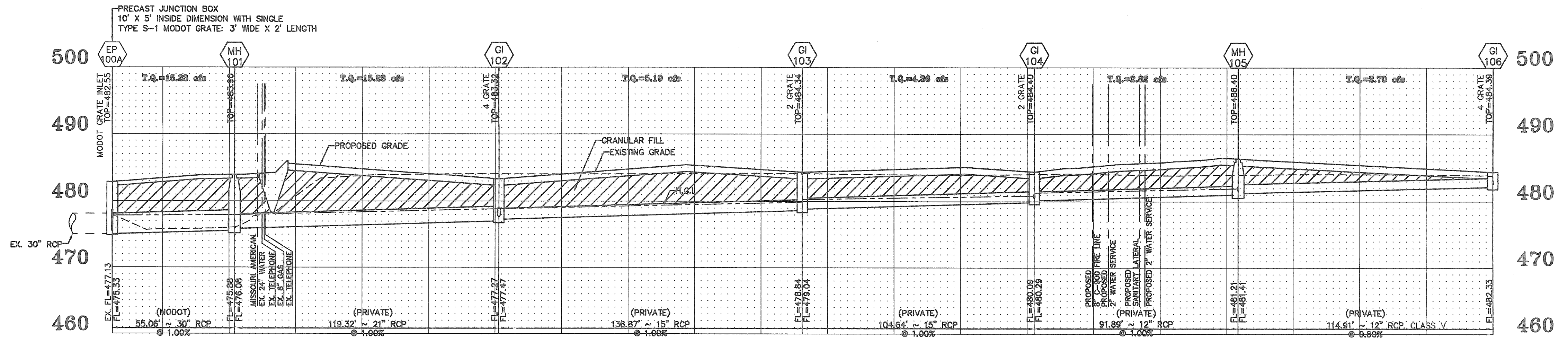
Developer / Owner:
 Lou Fusz Chrysler
 3480 Highway K
 O'Fallon, Missouri 63368
 636-442-8100

SEWER PROFILES

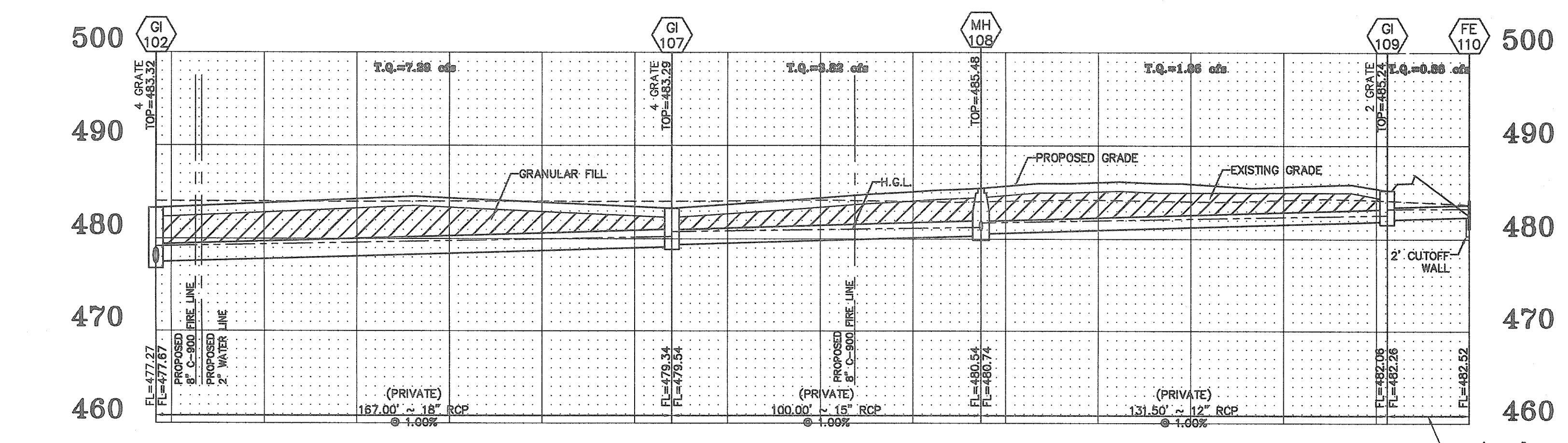
P+Z No. #00-16.05.01
 Approved 02-02-17

City No. #

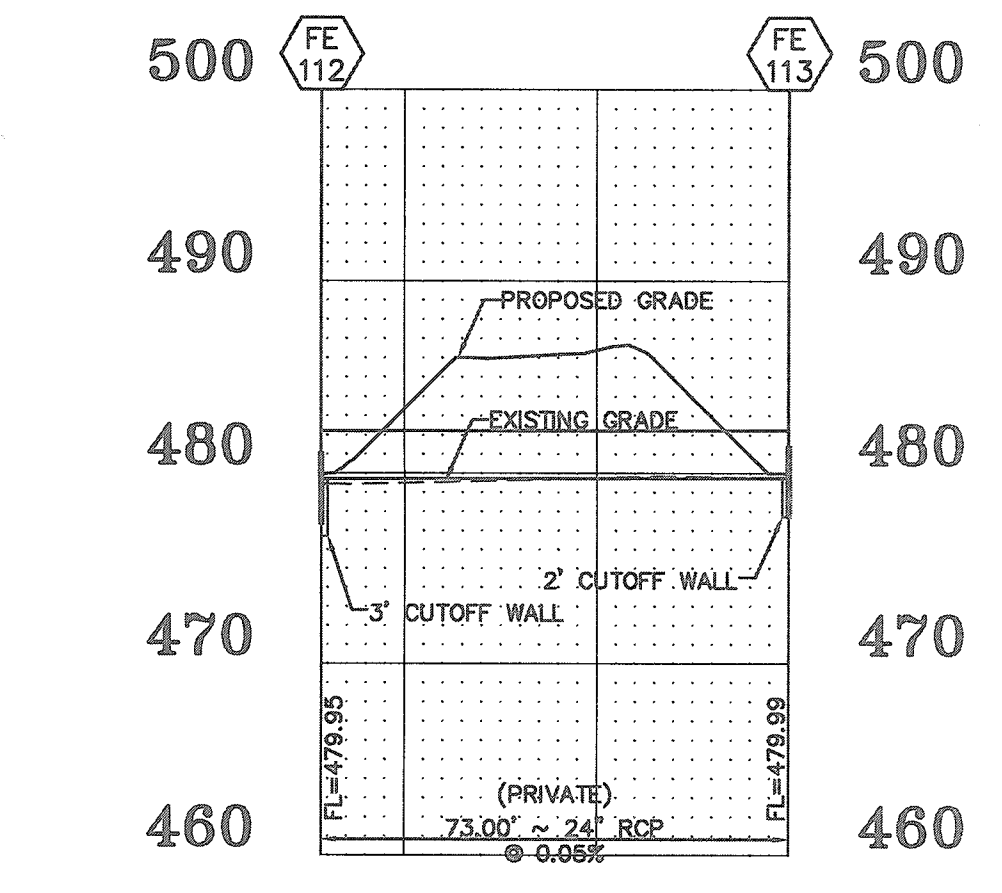
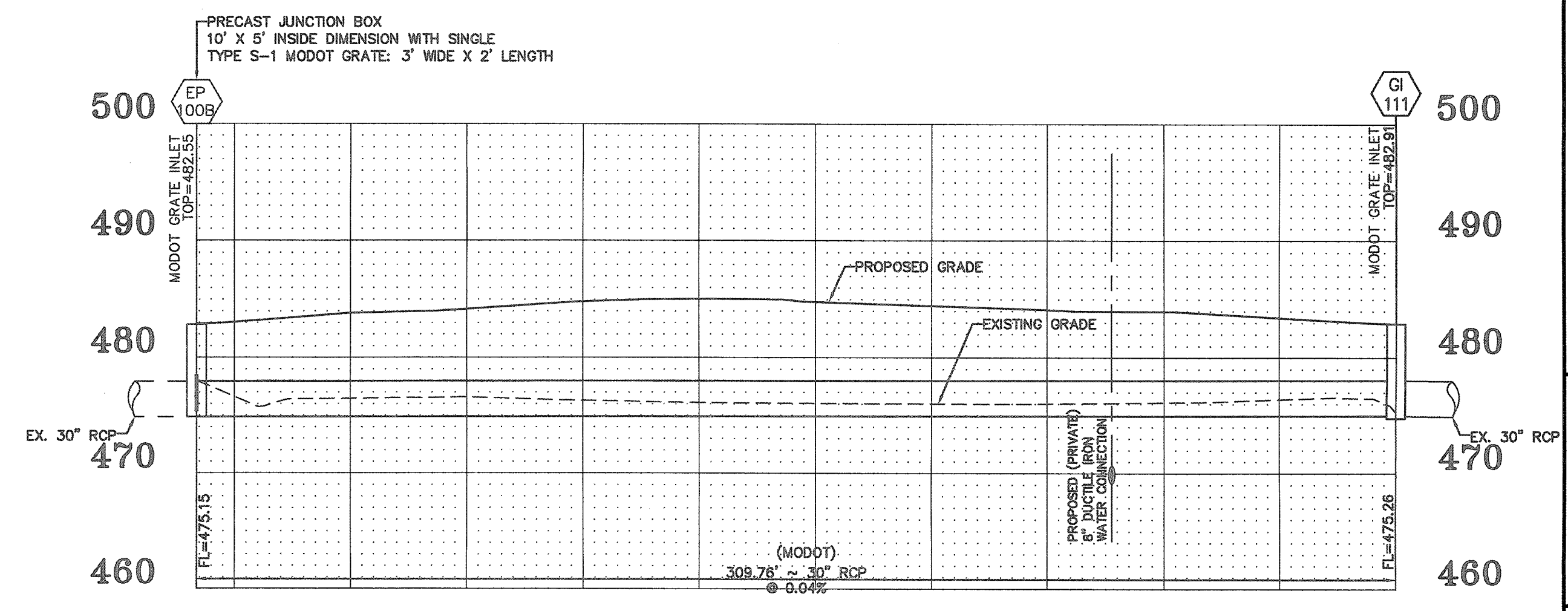
Page No. 7 of 13



STORM SEWER PROFILE
 HORIZONTAL SCALE: 1" = 30'
 VERTICAL SCALE: 1" = 10'



STORM SEWER PROFILE
 HORIZONTAL SCALE: 1" = 30'
 VERTICAL SCALE: 1" = 10'



STORM SEWER PROFILE
 HORIZONTAL SCALE: 1" = 30'
 VERTICAL SCALE: 1" = 10'

BAX PROJECT NAME : LOU FUSZ JEEP
 BAX PROJECT NO. : 08-137060
 DESIGN DATE : 05-02-2017
 FILENAME : 13706

UPP STR	LOW STR	L	DIA	UPPER FL LN	LOWER FL LN	PS	UPPER ST EL	DEPTH HY GR	UPPER HY EL	LOWER HY EL	HYDR GRADE	FR HEAD	VEL	VEL HEAD	JUNC LOSS	TURN LOSS	Q	TQ	PIPE CAP	LINE NUMBER	REMARKS
FE110	GI109	27	12	482.53	482.26	1.00	483.52	0.22	483.30	483.26	.00060	0.02	1.12	0.02	0.02	0.00	0.88	0.88	3.56	1	
GI109	MH108	132	12	482.06	480.74	1.00	485.24	2.66	482.58*	481.74	.00270	0.36	2.37	0.09	0.09	0.01	0.98	1.86	3.57	2	
MH108	GI107	100	15	480.54	479.54	1.00	485.48	4.22	481.26	480.79	.00350	0.35	3.11	0.15	0.12	0.02	0.00	3.82	6.46	3	1.96 CFS ROOF
GI107	GI102	167	18	479.34	477.67	1.00	483.29	3.04	480.26*	479.17	.00480	0.80	4.13	0.26	0.22	0.08	3.47	7.29	10.50	4	
GI106	MH105	115	12	482.33	481.41	0.80	484.39	1.14	483.25	482.41	.00570	0.66	3.44	0.18	0.18	0.00	2.62	2.70	3.19	5	0.08 CFS ROOF
MH105	GI104	92	12	481.21	480.29	1.00	486.40	4.44	481.96	481.29	.00630	0.58	3.59	0.20	0.09	0.06	0.00	2.82	3.56	6	0.12 CFS ROOF
GI104	GI103	105	15	480.09	479.04	1.00	484.40	3.53	480.87	480.29	.00460	0.46	3.55	0.20	0.10	0.05	1.19	4.36	6.47	7	0.35 CFS ROOF
GI103	GI102	137	15	478.84	477.47	1.00	484.34	4.45	479.89	478.86	.00650	0.88	4.23	0.28	0.15	0.04	0.83	5.19	6.46	8	
GI102	MH101	119	24	477.27	476.08	1.00	483.32	4.46	478.86	478.08	.00450	0.54	4.85	0.36	0.24	0.23	2.75	15.23	22.59	9	
MH101	EP100A	55	30	475.88	475.33	1.00	483.90	5.95	477.95	477.83	.00140	0.08	3.10	0.15	0.04	0.25	0.00	15.23	41.00	10	TIP=477.83

* INDICATES CRITICAL DEPTH

* FLOWLINES MATCH EXISTING DITCH GRADE
 * PIPE SIZE MATCHED EXISTING DOWNSTREAM PIPE

UNDERGROUND UTILITIES HAVE BEEN PLOTTED FROM AVAILABLE INFORMATION AND THEREFORE THEIR LOCATIONS SHALL BE CONSIDERED APPROXIMATE ONLY. THE VERIFICATION OF THE LOCATION OF ALL UNDERGROUND UTILITIES, EITHER SHOWN OR NOT SHOWN ON THESE PLANS SHALL BE THE RESPONSIBILITY OF THE CONTRACTOR, AND SHALL BE LOCATED PRIOR TO ANY GRADING OR CONSTRUCTION OF THE IMPROVEMENTS.