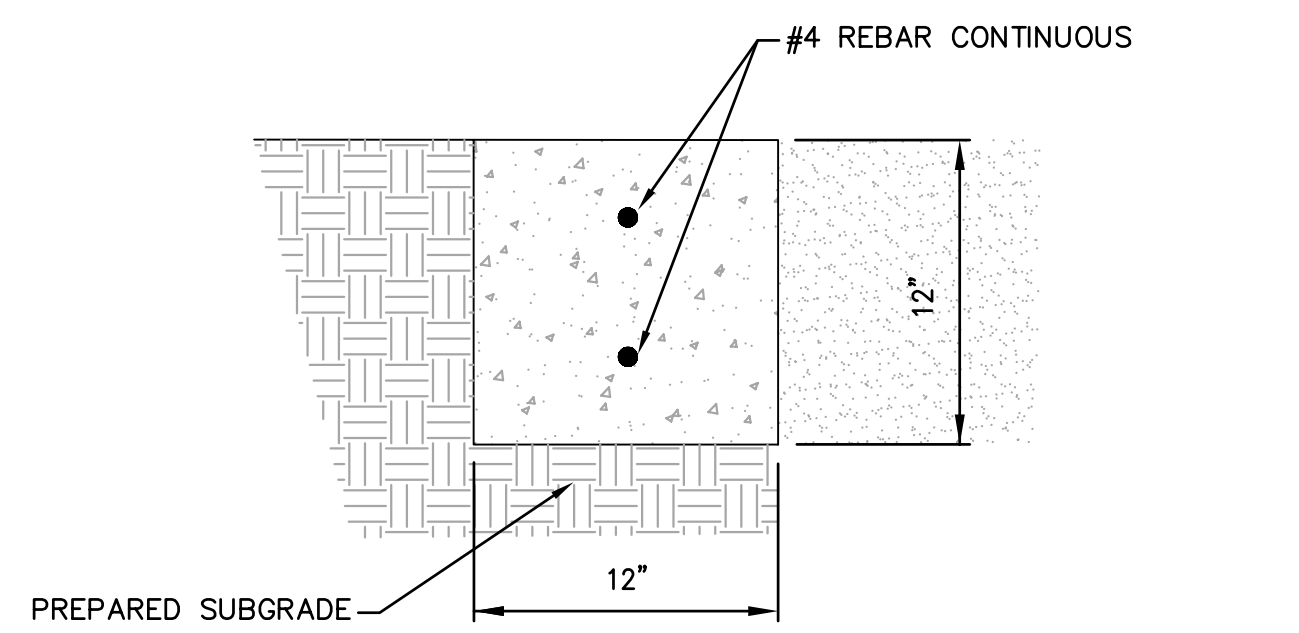
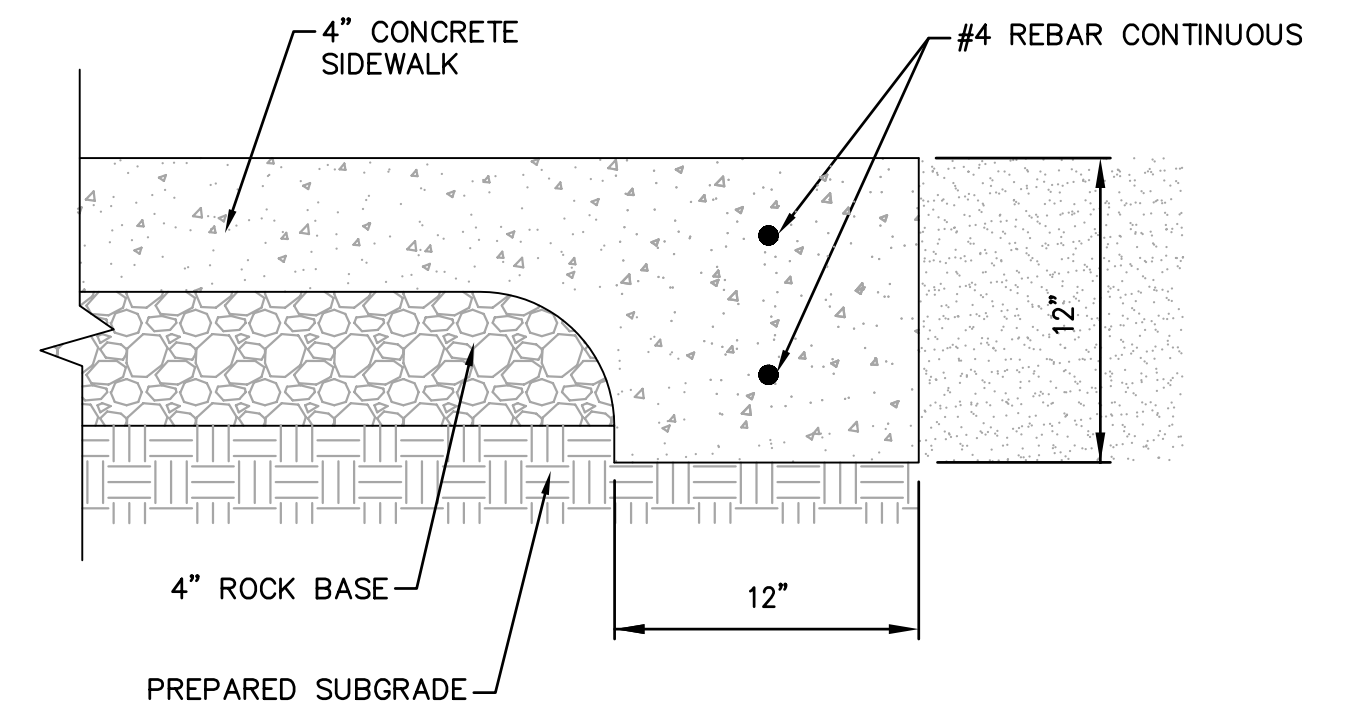


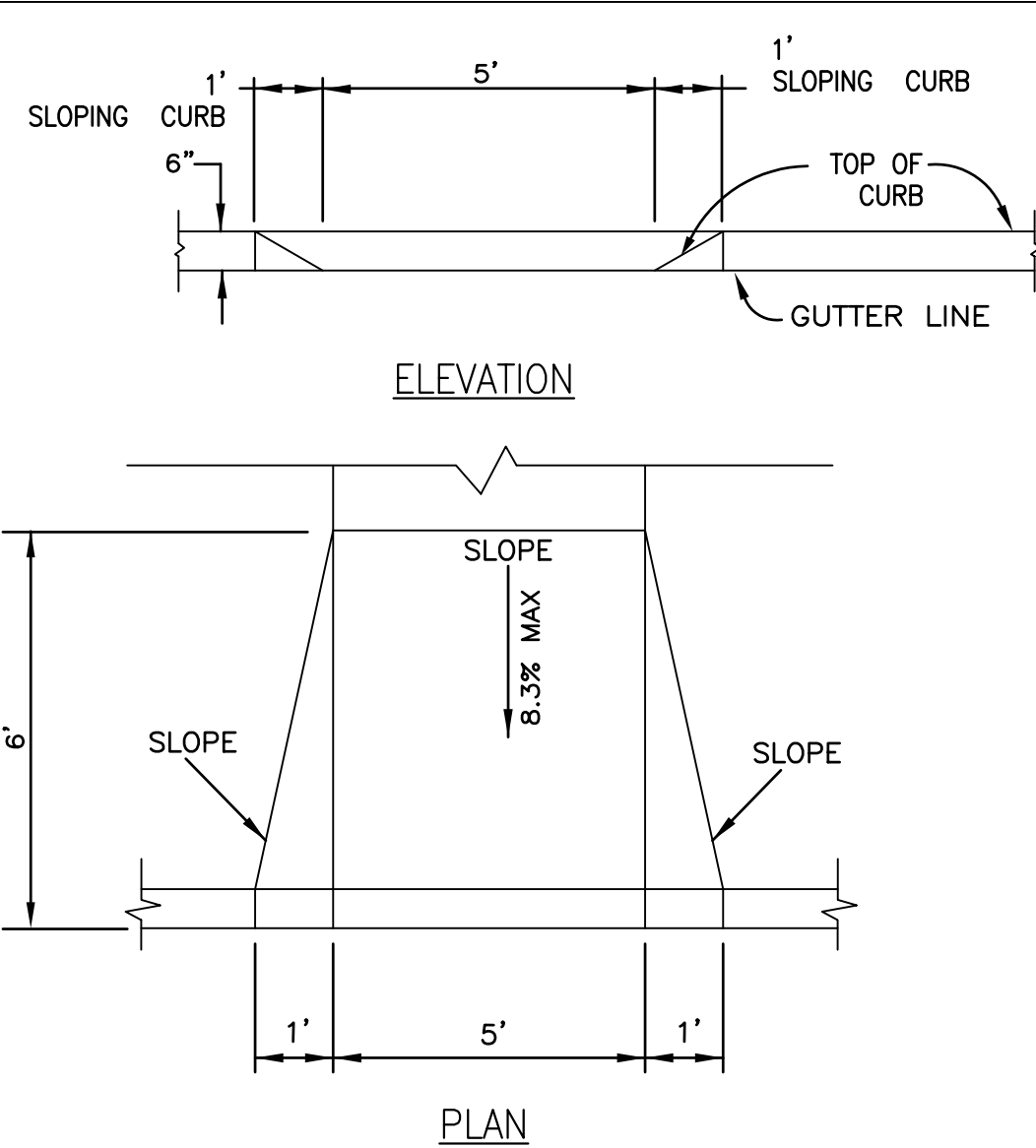
11 MESH FENCE DETAIL
SCALE: N.T.S. REF. DWG. C4.0



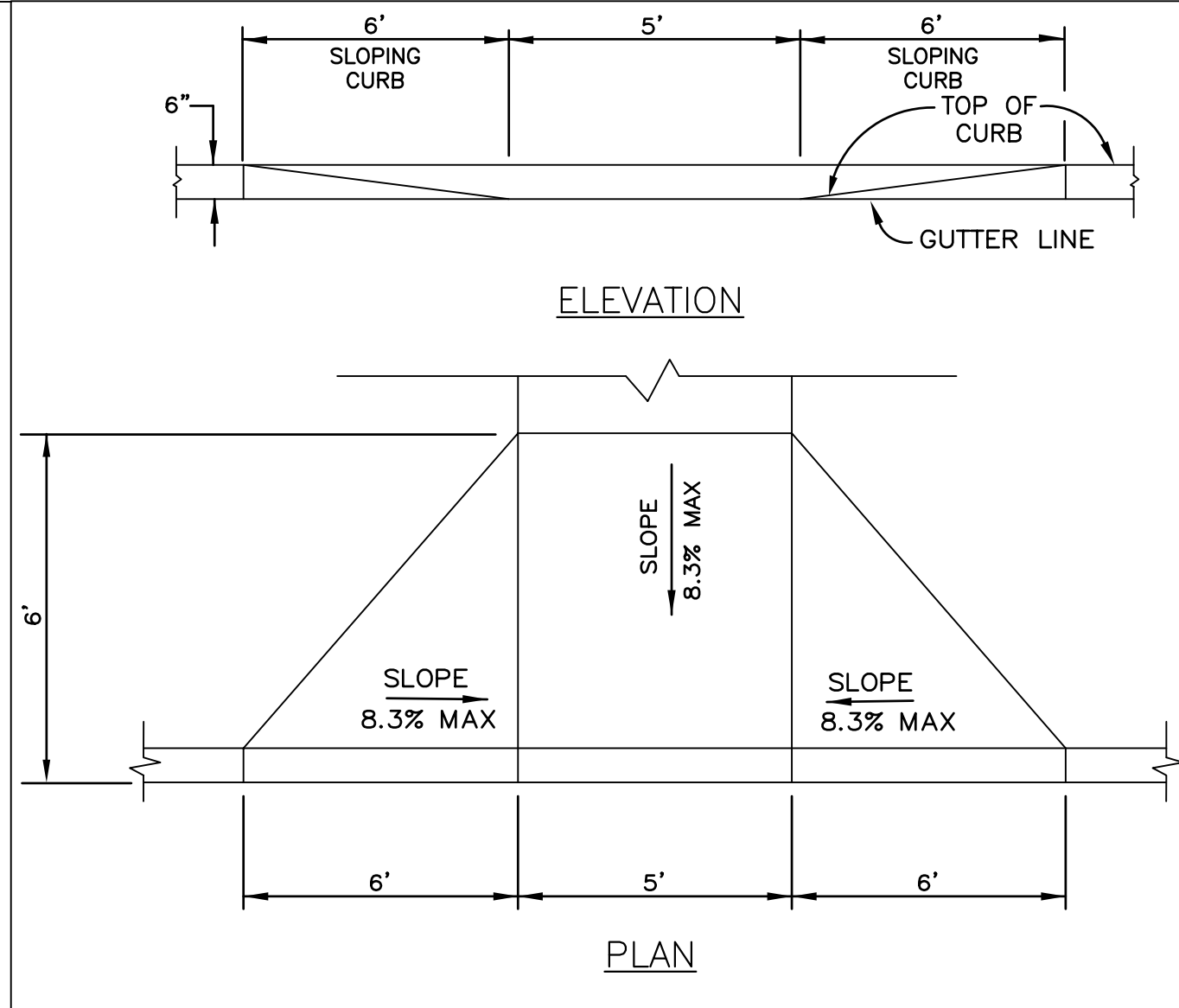
6 12\"/>



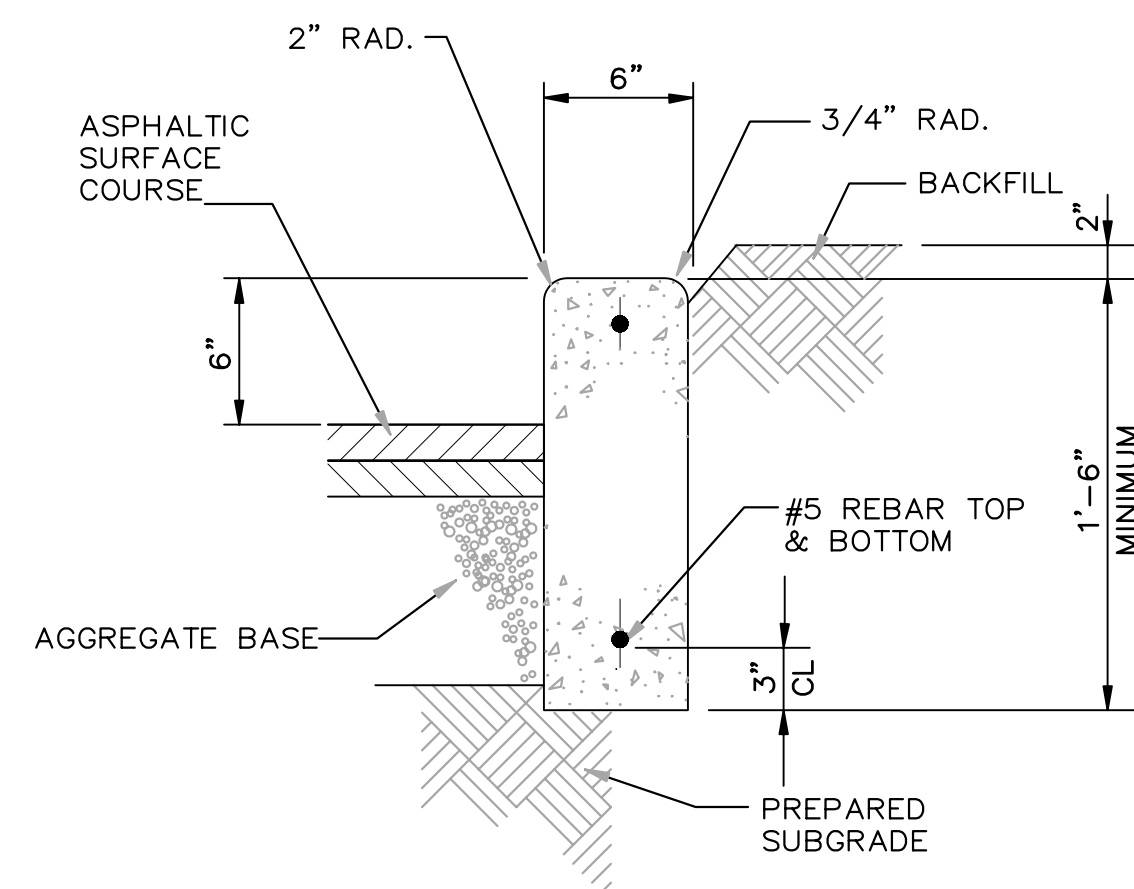
3 SIDEWALK WITH THICKENED EDGE DETAIL
SCALE: N.T.S. REF. DWG. C4.0



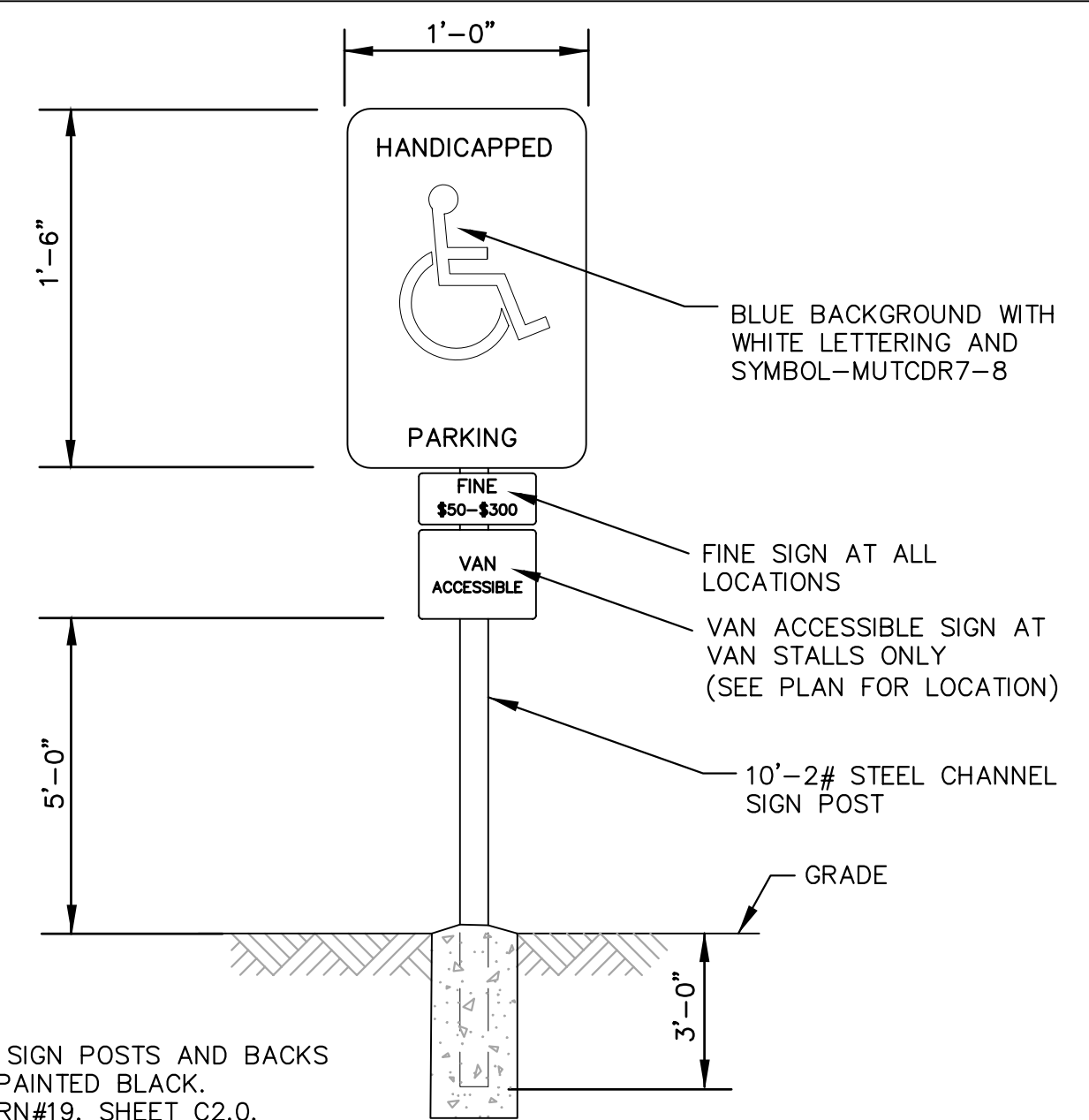
9 ACCESSIBLE RAMP DETAIL (TYPE 1)
SCALE: N.T.S. REF. DWG. C4.0



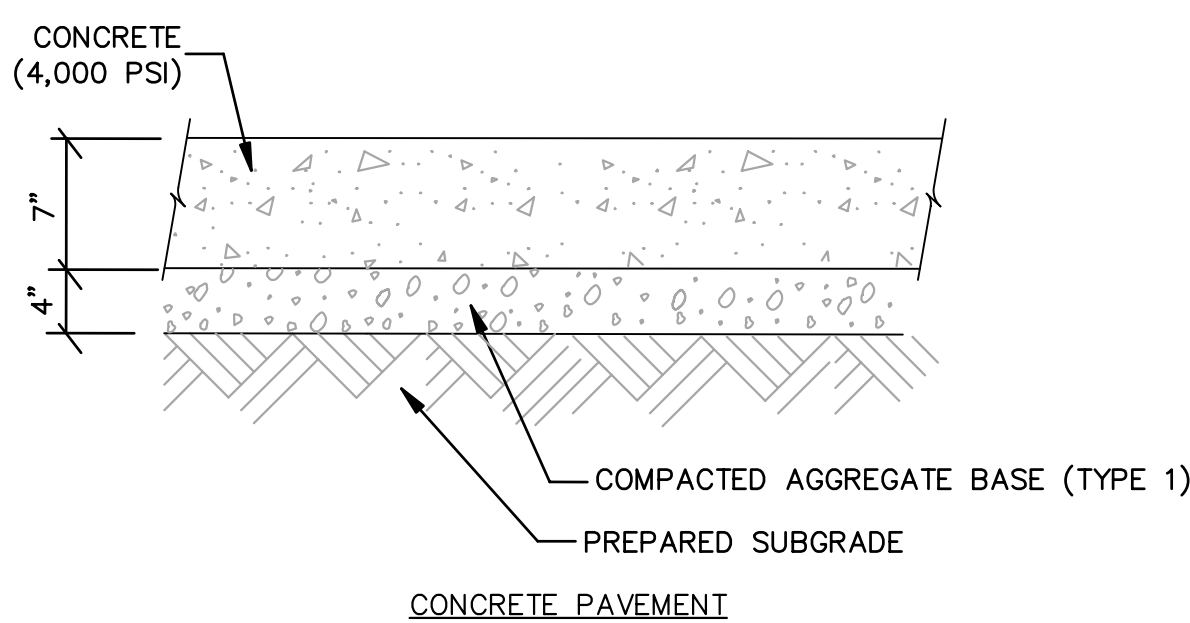
8 ACCESSIBLE RAMP DETAIL (TYPE 2)
SCALE: N.T.S. REF. DWG. C4.0



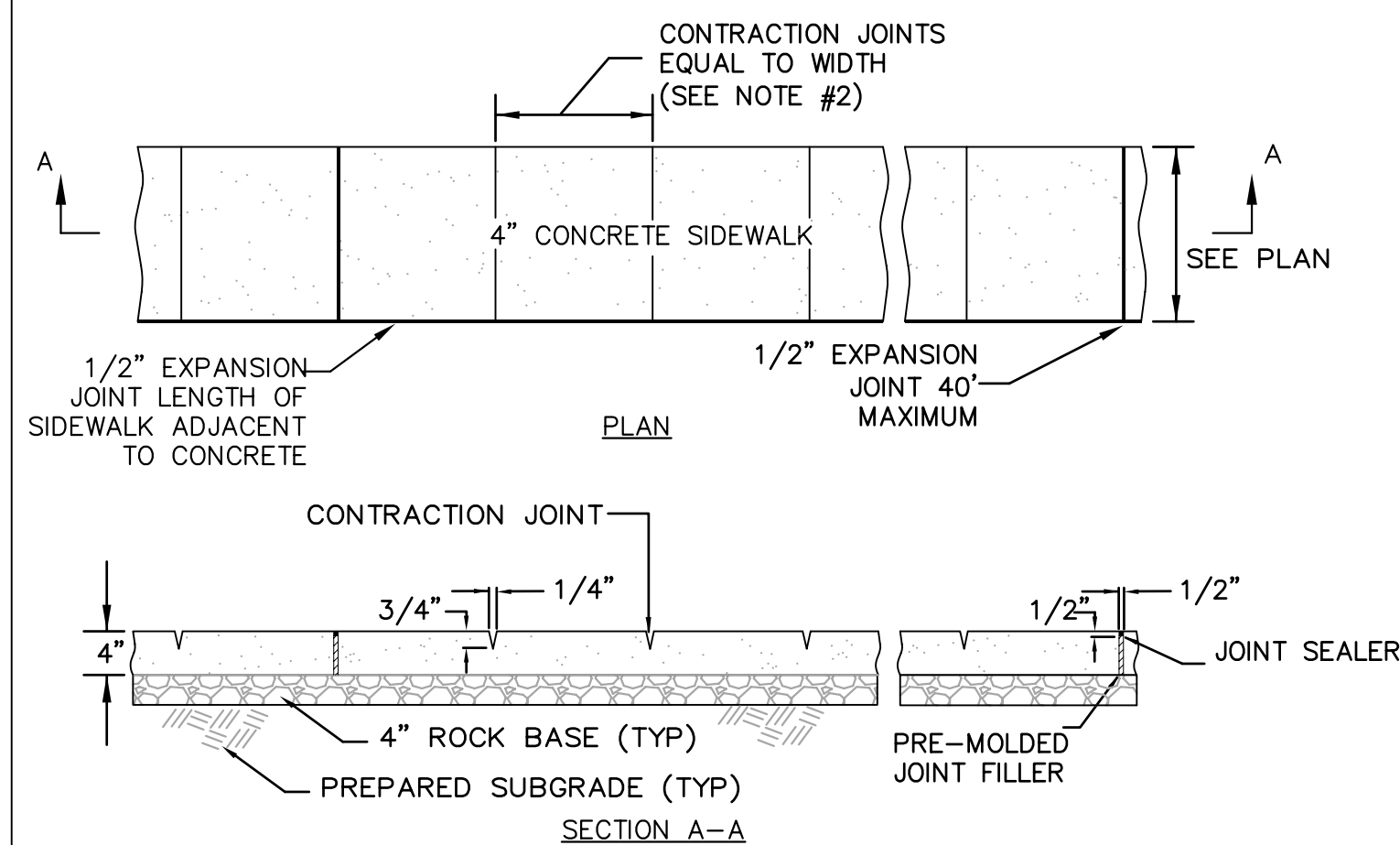
5 VERTICAL CONCRETE CURB DETAIL
SCALE: N.T.S. REF. DWG. C4.0



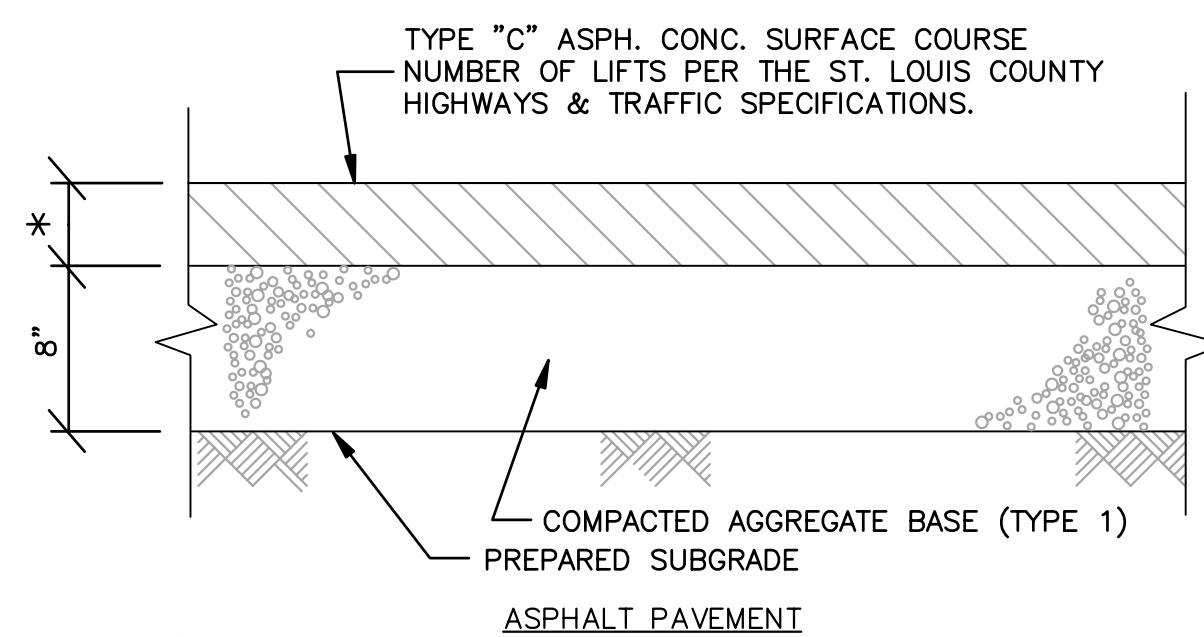
2 ACCESSIBLE PARKING SIGN DETAIL
SCALE: N.T.S. REF. DWG. C4.0



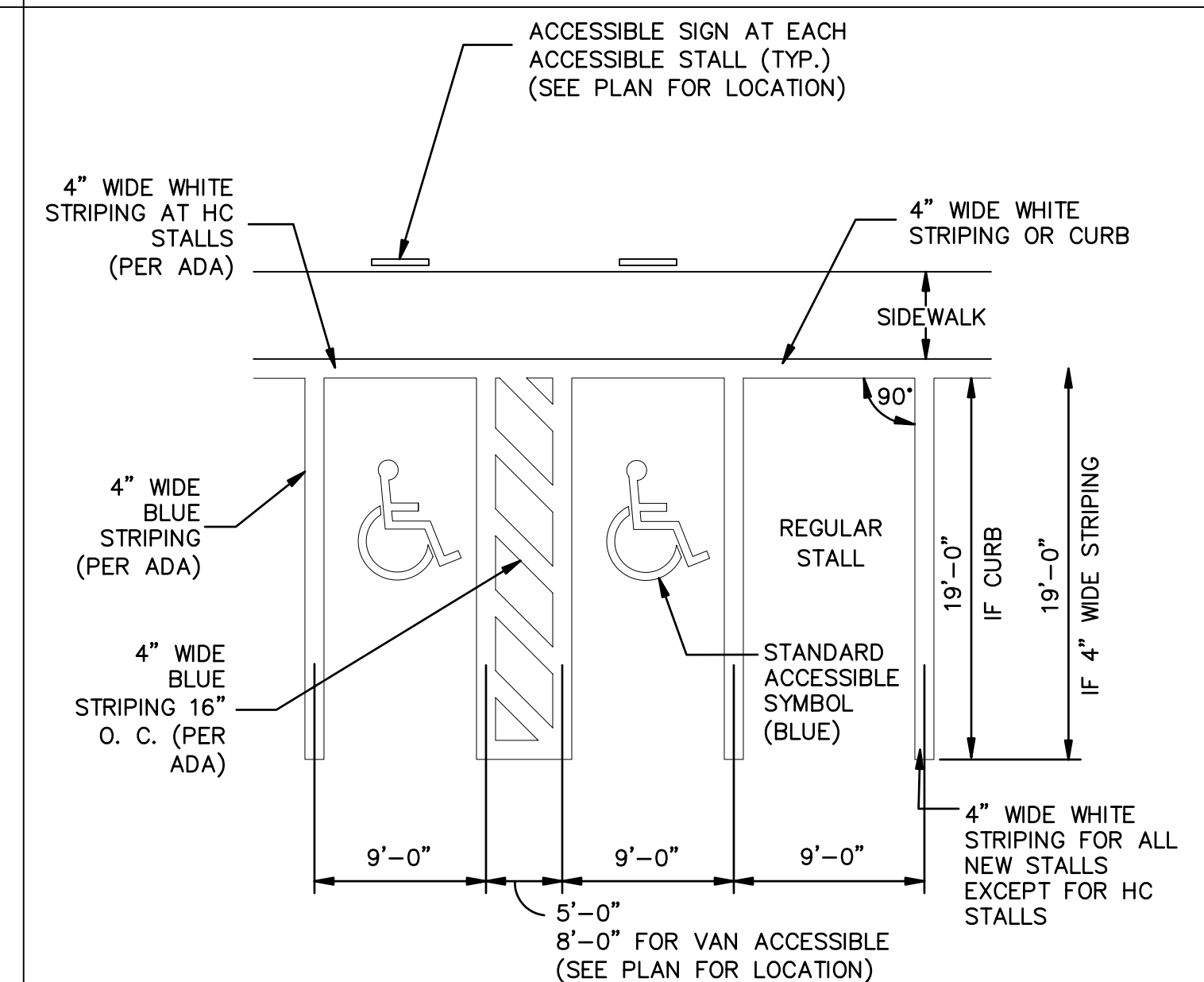
10 HEAVY DUTY CONCRETE PAVEMENT DETAIL
SCALE: N.T.S. REF. DWG. C4.0



7 CONCRETE SIDEWALK DETAIL
SCALE: N.T.S. REF. DWG. C4.0



4 ASPHALT PAVEMENT DETAIL
SCALE: N.T.S. REF. DWG. C4.0

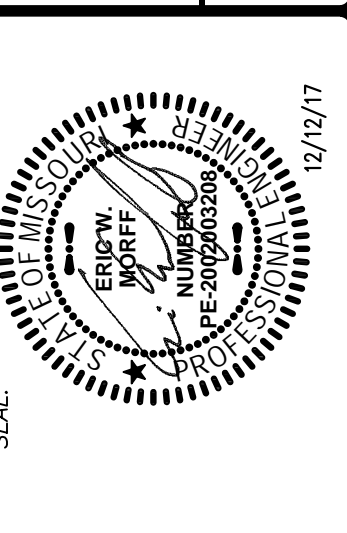


1 ACCESSIBLE PARKING DETAIL
SCALE: N.T.S. REF. DWG. C4.0

USER: Eric Morff TAB: Pavement_3
 DATE: December 12, 2017 - 1:44:46 PM
 DRAWING: S:\JOB\16-0042-A\16-0042-000A\C-Plan\Pavement_Details_16-0042-000A.dwg

NO.	REVISION DESCRIPTION	DATE
1	CITY COMMENTS	11/16/17
2	CITY COMMENTS	12/06/17
3	CITY COMMENTS	12/12/17

DEVELOPER/OWNER:
40 DD SPORTS, LLC
1 ASPEN CIRCLE DRIVE
MINNEAPOLIS, MO 63390
636-369-0621



MISSOURI RUSH SOCCER COMPLEX
CLUBHOUSE ADDITION
 901 CALEDONIA DRIVE
 OFALLON, MO 63366

ST. LOUIS
 115 1/2 2nd Street
 Suite 200
 St. Louis, MO 63103
 314.984.9887 tel
 www.colestl.com

COLE
 CIVIL ENGINEERING / SURVEYING / PLANNING / LANDSCAPE ARCHITECTURE

DESIGN/CALC BY	BSJ
DRAWN BY	BSJ
CHECKED BY	EWM
DRAWING SCALE	AS SHOWN
DATE	09/07/17
Job Number	16-0042-A
Sheet Number	C10.0