

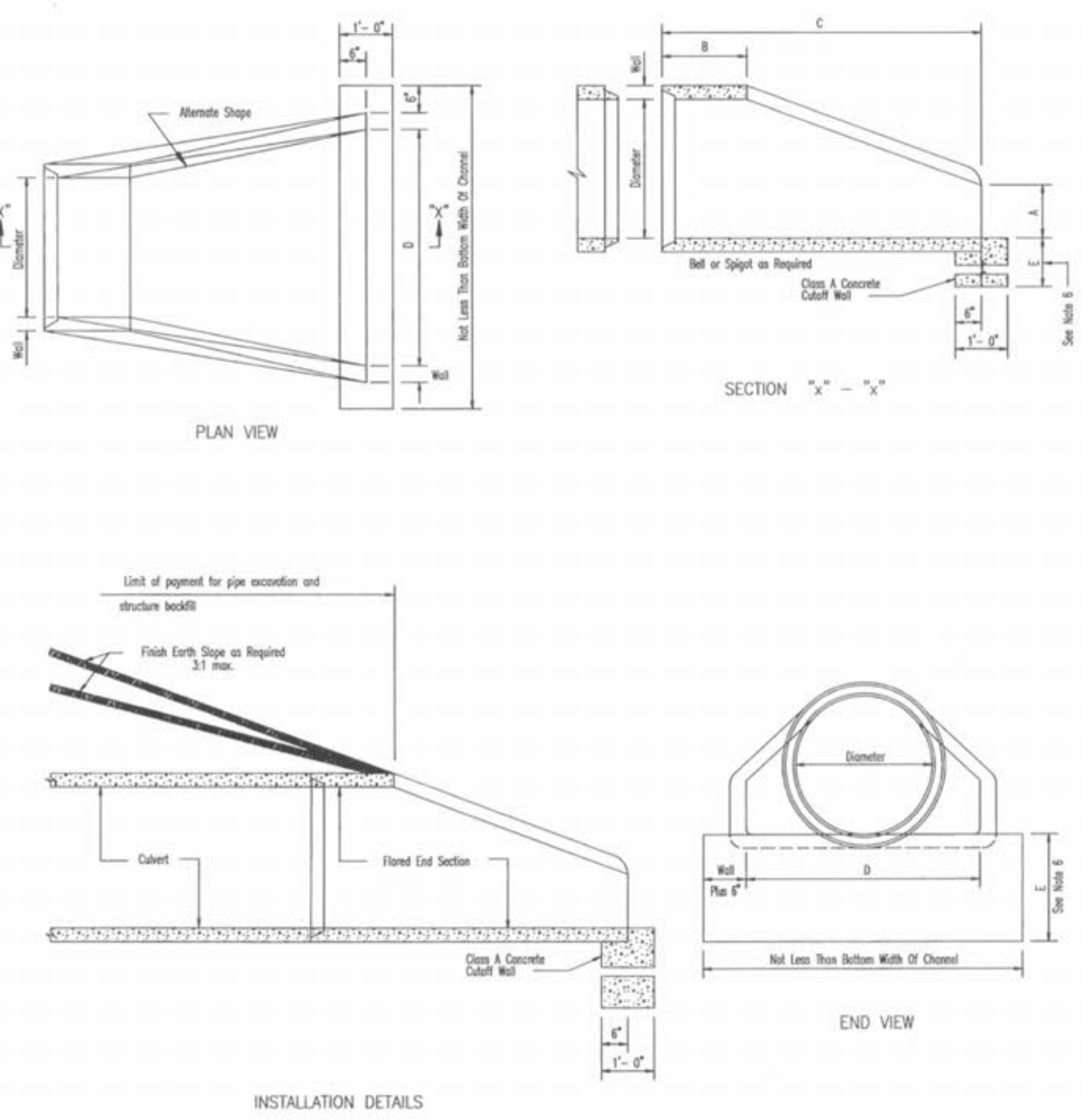
1. Do not scale drawing. Follow dimensions.
2. The details shown are adopted from Revised Standard Construction Details for Sewers and Drainage Facilities dated 1992.
3. The standard specification sections noted refer to the Standard Construction Specifications for Sewers and Drainage Facilities of the Metropolitan St. Louis Sewer District dated 1992.
4. Inlets may be located 2.5 feet from the back of rolled curb. Add 0.5 feet to all curb dimensions for all inlets that are 2.5 feet offset.
5. For capped inlets, the sump shall extend 2.0 feet from the projection of the back of the curb.

SAINT CHARLES COUNTY
HIGHWAY DEPARTMENT
ST. CHARLES, MISSOURI

SEWER CONSTRUCTION DETAILS

STREET INLET SUMPS

DATE: June, 2002 DRAWING C604.36



DIMENSIONS

Dia.	Wall A	B(min.)	C(min.)	D	E
12"	2"	4"	4'-0"	6"	2'-0"
15"	2-1/4"	5"	5'-0"	6"	2'-6"
18"	2-1/2"	5"	5'-0"	6"	3'-0"
21"	2-3/4"	5"	5'-0"	6"	3'-6"
24"	3"	5-1/2"	5'-0"	6"	4'-0"
27"	3-1/4"	6"-1/2"	5'-0"	6"	4'-6"
30"	3-1/2"	7"	5'-0"	6"	5'-0"
36"	4"	7'-3"	5'-0"	6"	6'-0"
42"	4-1/2"	8'-0"	5'-0"	6"	6'-6"
48"	5"	8'-6"	5'-0"	6"	7'-0"
54"	5-1/2"	9'-0"	5'-0"	6"	7'-6"
60"	6"	9'-6"	5'-0"	6"	8'-0"
66"	6-1/2"	10'-0"	5'-0"	6"	8'-6"

REINFORCEMENT

ADJOINING PIPE DIAMETER INCHES	BARREL SECTION REINFORCEMENT		FLARED SECTION REINFORCEMENT (ONE LAYER ONLY IN CTR. OF WALL)	
	CIRCULAR	ELLIPICAL	CIRCULAR	ELLIPICAL
	INNER CASE SQ. IN. LIN. FT.	OUTER CASE SQ. IN. LIN. FT.	INNER CASE SQ. IN. LIN. FT.	OUTER CASE SQ. IN. LIN. FT.
12"	0.07	—	0.048	0.048
15"	0.07	—	0.054	0.054
18"	0.07	—	0.060	0.060
21"	0.07	—	0.066	0.066
24"	0.07	—	0.072	0.072
27"	0.13	—	0.078	0.078
30"	0.14	—	0.084	0.084
36"	0.12	0.09	0.096	0.096
42"	0.15	0.12	0.108	0.108
48"	0.18	0.14	0.120	0.120
54"	0.22	0.16	0.132	0.132
60"	0.25	0.19	0.144	0.144
66"	0.31	0.23	0.156	0.156

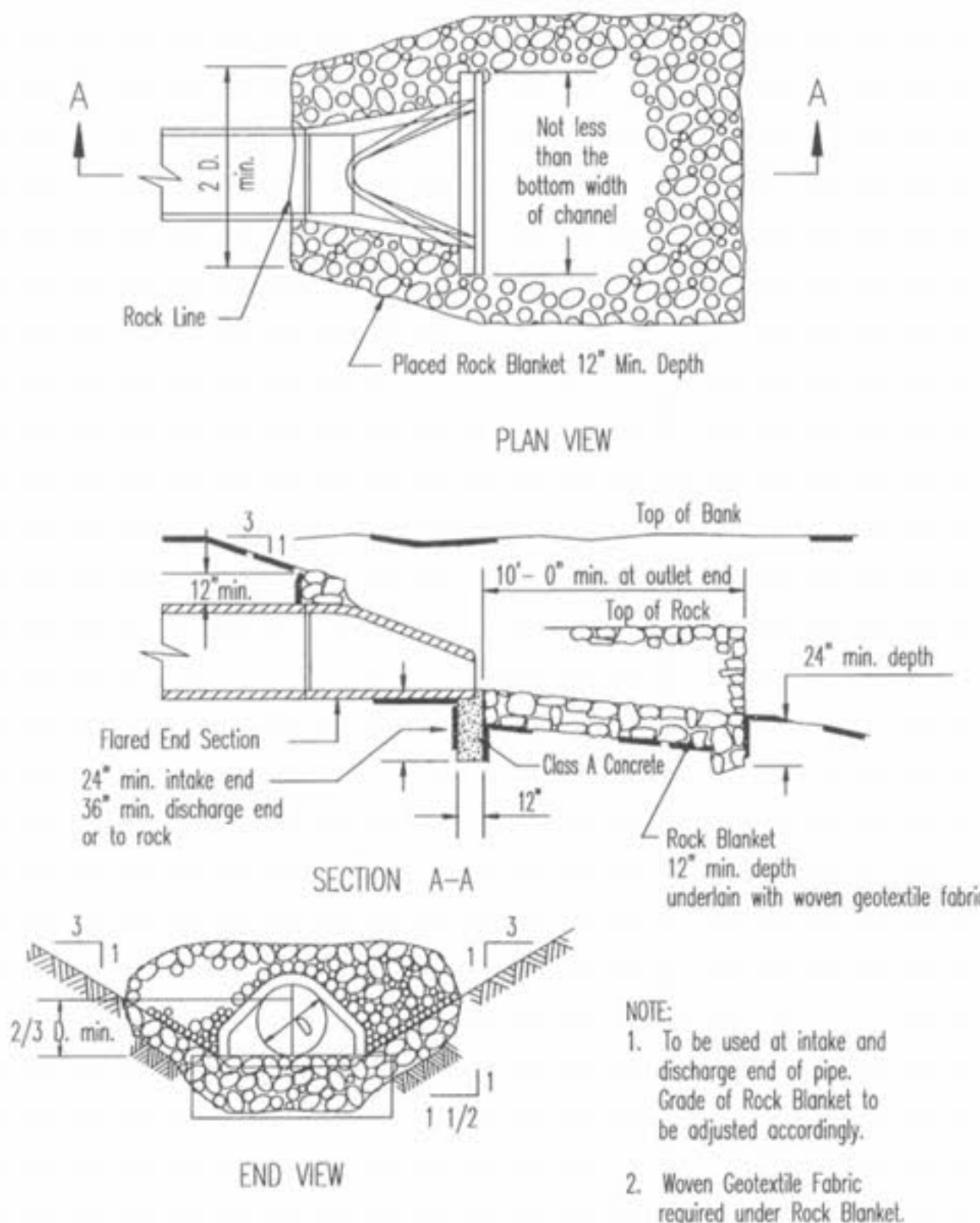
- GENERAL NOTES
1. Do not scale drawing. Follow dimensions.
 2. Slight variations in both shape and dimensions from those shown may be accepted if approved by the Engineer.
 3. Not more than three IR holes may be drilled or cut in the End Section for handling and laying.
 4. IR logs or bars will be permitted in precast Cutoff Walls.
 5. Cutoff Wall may be cast-in-place or precast.
 6. Cutoff Wall to be constructed a minimum of 2' at intake end and 3' at outlet end or to rock.
 7. For construction details refer to the Sewer Construction Details for Channels, Cutoffs and Large Sewer Connections, Std. Dep. C604.41.
 8. The details shown are adopted from the Missouri Department of Transportation, Standard Drawings.

SAINT CHARLES COUNTY
HIGHWAY DEPARTMENT
ST. CHARLES, MISSOURI

SEWER CONSTRUCTION DETAILS

FLARED END SECTION
(PRECAST CONCRETE)

DATE: June, 2002 DRAWING C604.40



- NOTE:
1. To be used at intake and discharge end of pipe. Grade of Rock Blanket to be adjusted accordingly.
 2. Woven Geotextile Fabric required under Rock Blanket.

SAINT CHARLES COUNTY
HIGHWAY DEPARTMENT
ST. CHARLES, MISSOURI

SEWER CONSTRUCTION DETAILS

FLARED END SECTION
(INLET/OUTLET PROTECTION)

DATE: September, 2002 DRAWING C604.42

ORDER NO. 03-0498
DATE 12/1/03
D-3

MAGNOLIA
STORM 1 DETAILS

ST. CHARLES ENGINEERING & SURVEYING, INC.
801 S. FIFTH STREET, SUITE 202
ST. CHARLES, MO 63301
TEL: (636) 947-0607 FAX: (636) 947-2448

