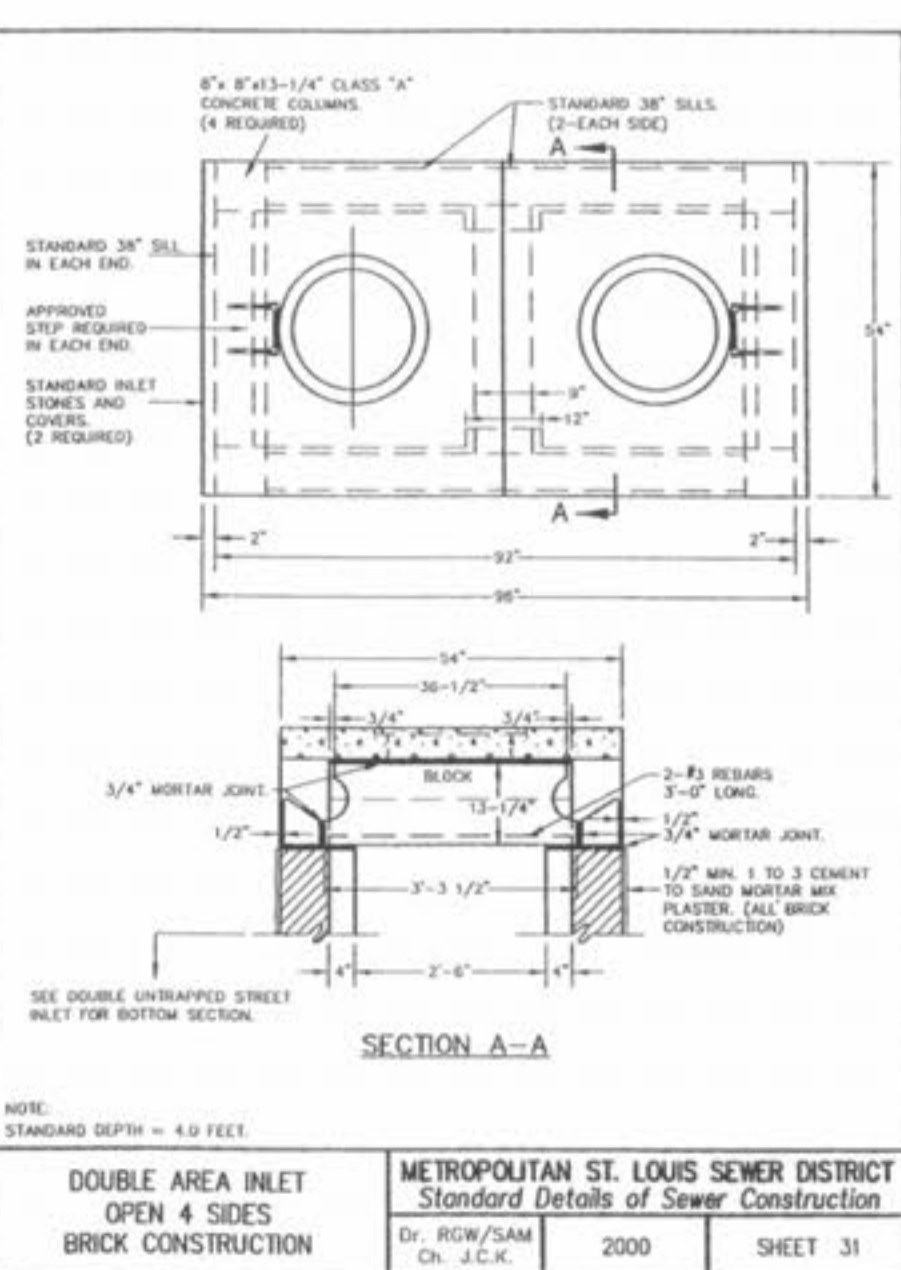


AREA INLET MANHOLE (12" THRU 24")

Metropolitan St. Louis Sewer District Standard Details of Sewer Construction

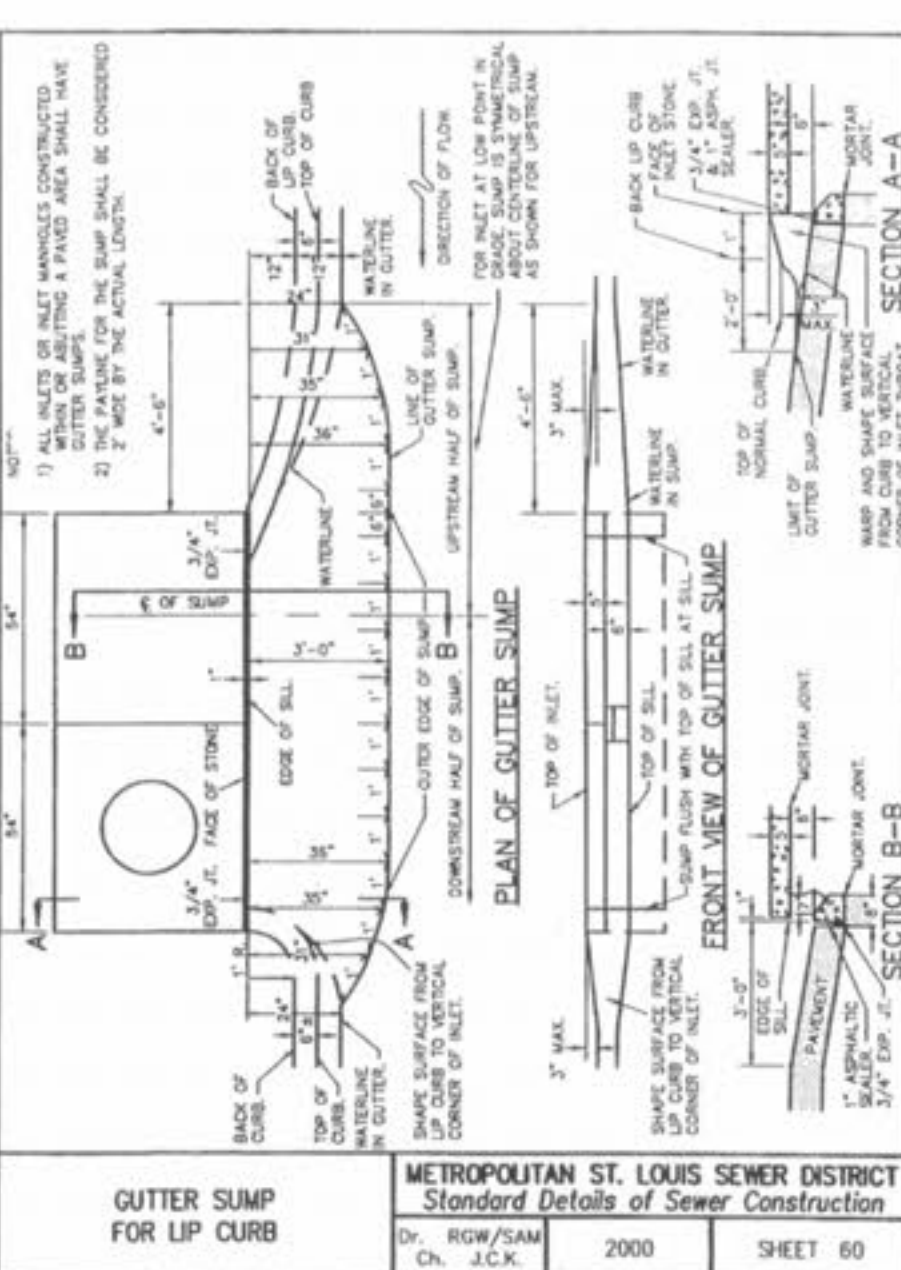
Dr. RW/SAM Ch. J.C.K. 2000 SHEET 30



DOUBLE AREA INLET OPEN 4 SIDES BRICK CONSTRUCTION

Metropolitan St. Louis Sewer District Standard Details of Sewer Construction

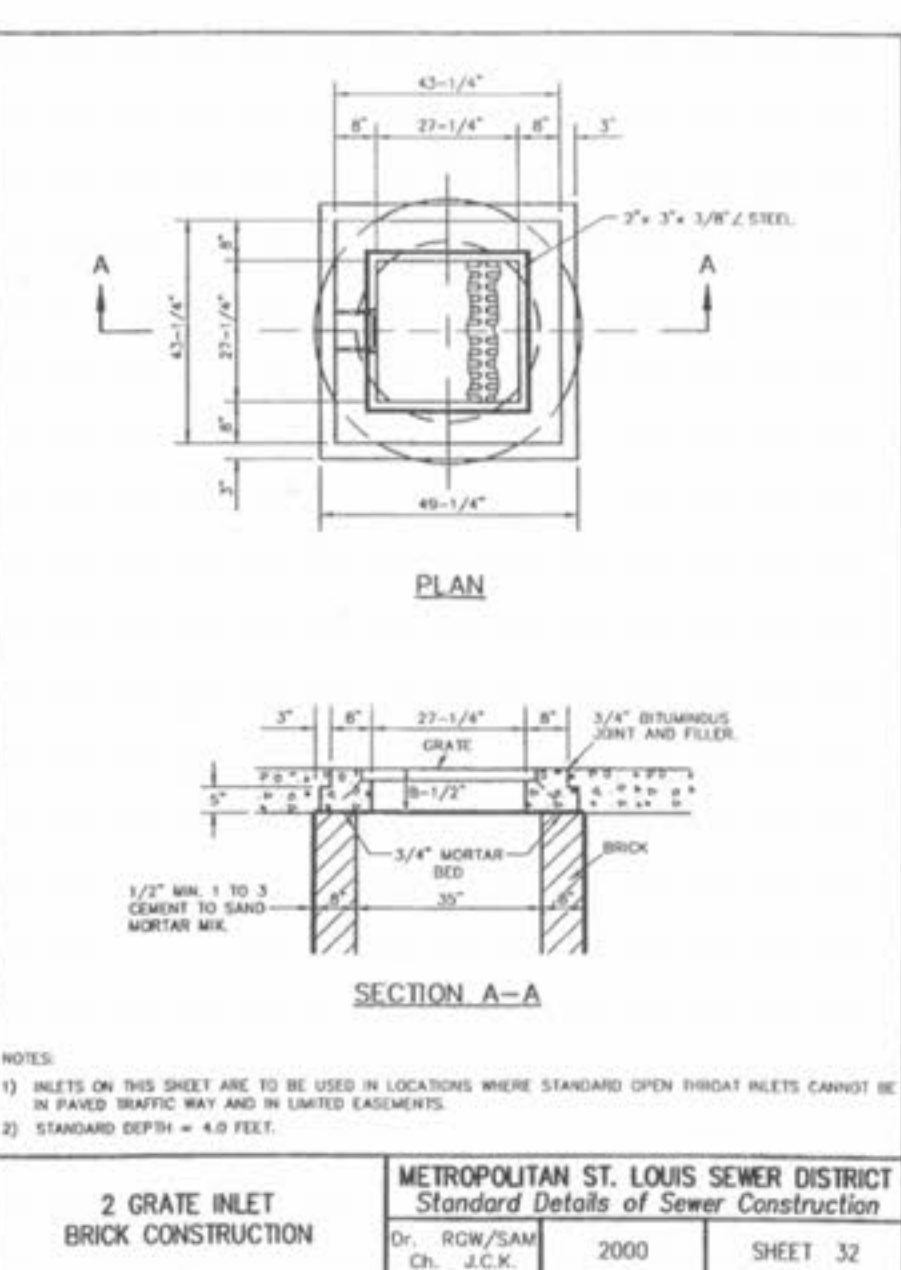
Dr. RW/SAM Ch. J.C.K. 2000 SHEET 31



GUTTER SUMP FOR LIP CURB

Metropolitan St. Louis Sewer District Standard Details of Sewer Construction

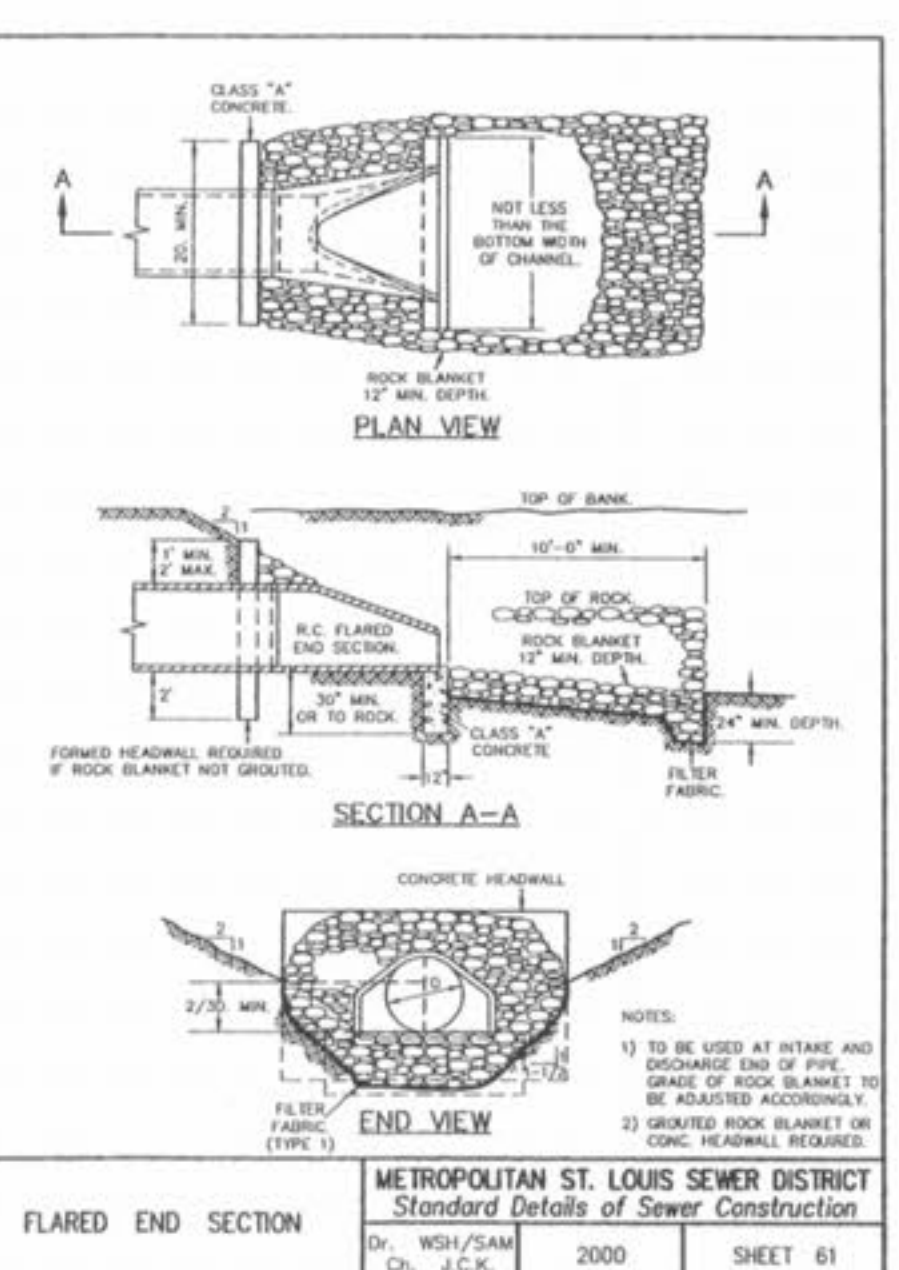
Dr. RW/SAM Ch. J.C.K. 2000 SHEET 60



2 GRATE INLET BRICK CONSTRUCTION

Metropolitan St. Louis Sewer District Standard Details of Sewer Construction

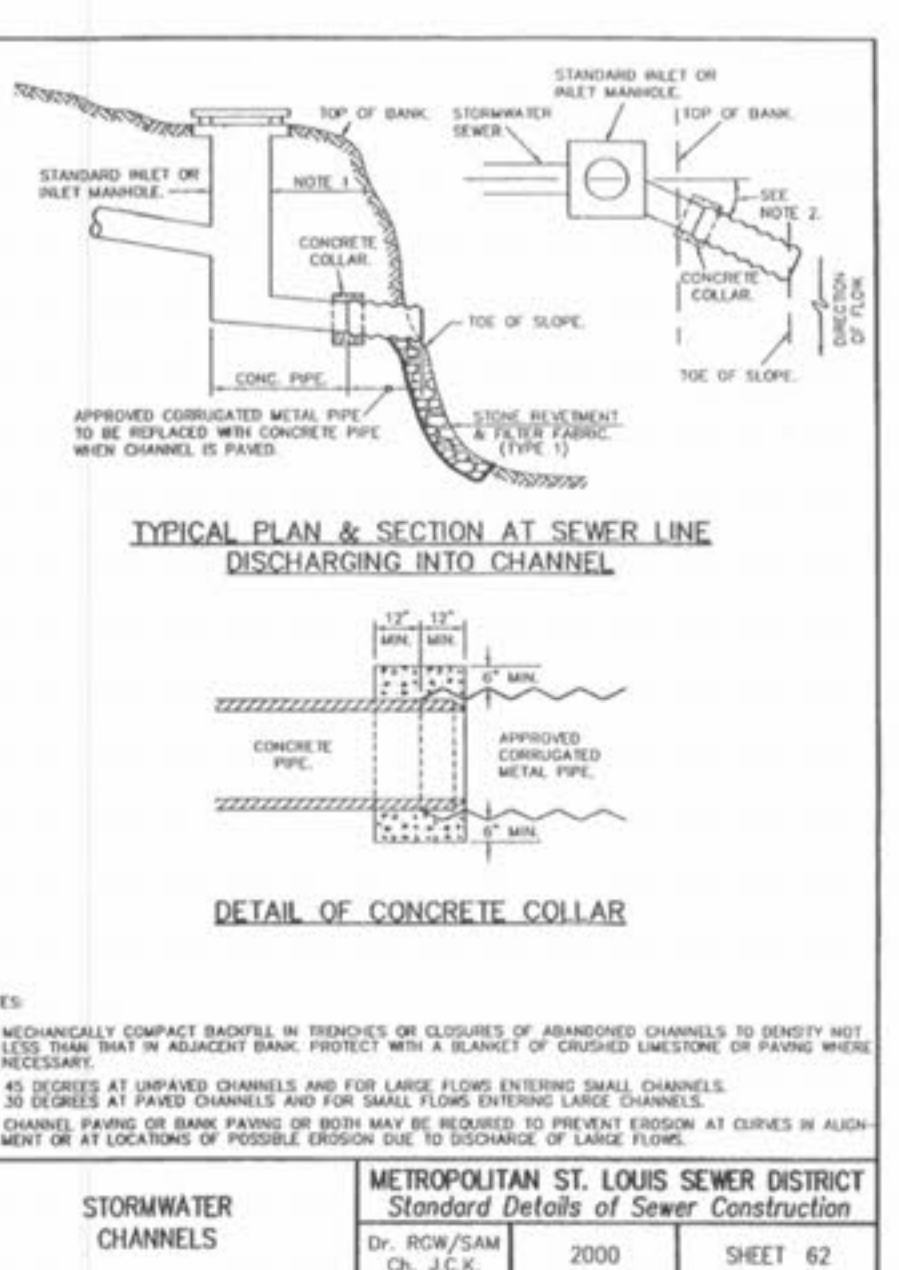
Dr. RW/SAM Ch. J.C.K. 2000 SHEET 32



FLARED END SECTION

Metropolitan St. Louis Sewer District Standard Details of Sewer Construction

Dr. WSH/SAM Ch. J.C.K. 2000 SHEET 61



TYPICAL PLAN & SECTION AT SEWER LINE DISCHARGING INTO CHANNEL

Metropolitan St. Louis Sewer District Standard Details of Sewer Construction

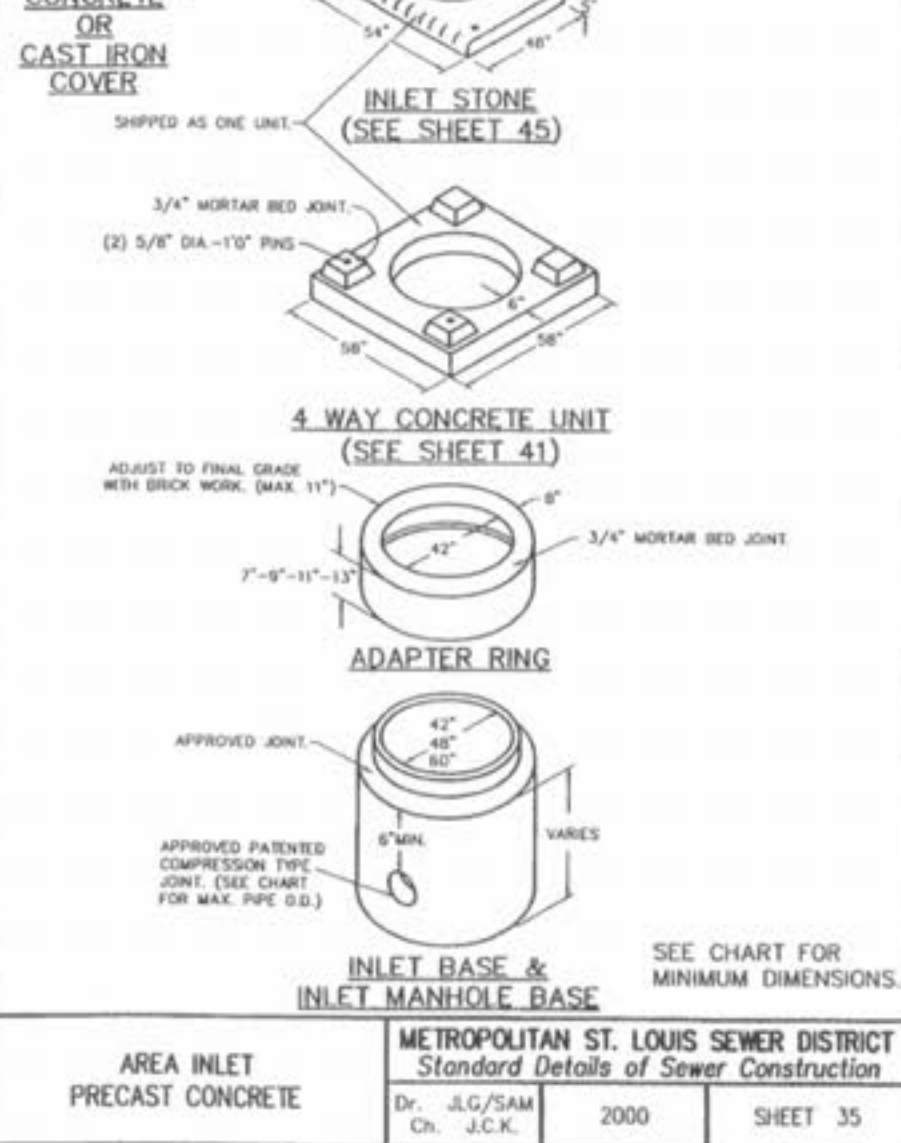
Dr. RW/SAM Ch. J.C.K. 2000 SHEET 62

PRECAST CONCRETE STORMWATER STRUCTURES

MINIMUM DISTANCE FLOWLINE TO TOP OF STONE OR GRATE

PIPE I.D. NOMINAL INCHES	AREA INLET CIRCULAR BASE DIA. 42" - 60"	(2) GRATE INLET CIRCULAR BASE DIA. SQUARE 42" - 60" (MAX)	SINGLE STREET INLET CIRCULAR BASE DIA. RECTANGLE 42" - 60" (MAX)
12"	45"	38"	31"
15"	48"	41"	34"
18"	52"	44"	37"
21"	55"	47"	40"
24"	58"	50"	43"
27"	61"	53"	46"
30"	64"	56"	49"
33"	67"	59"	52"

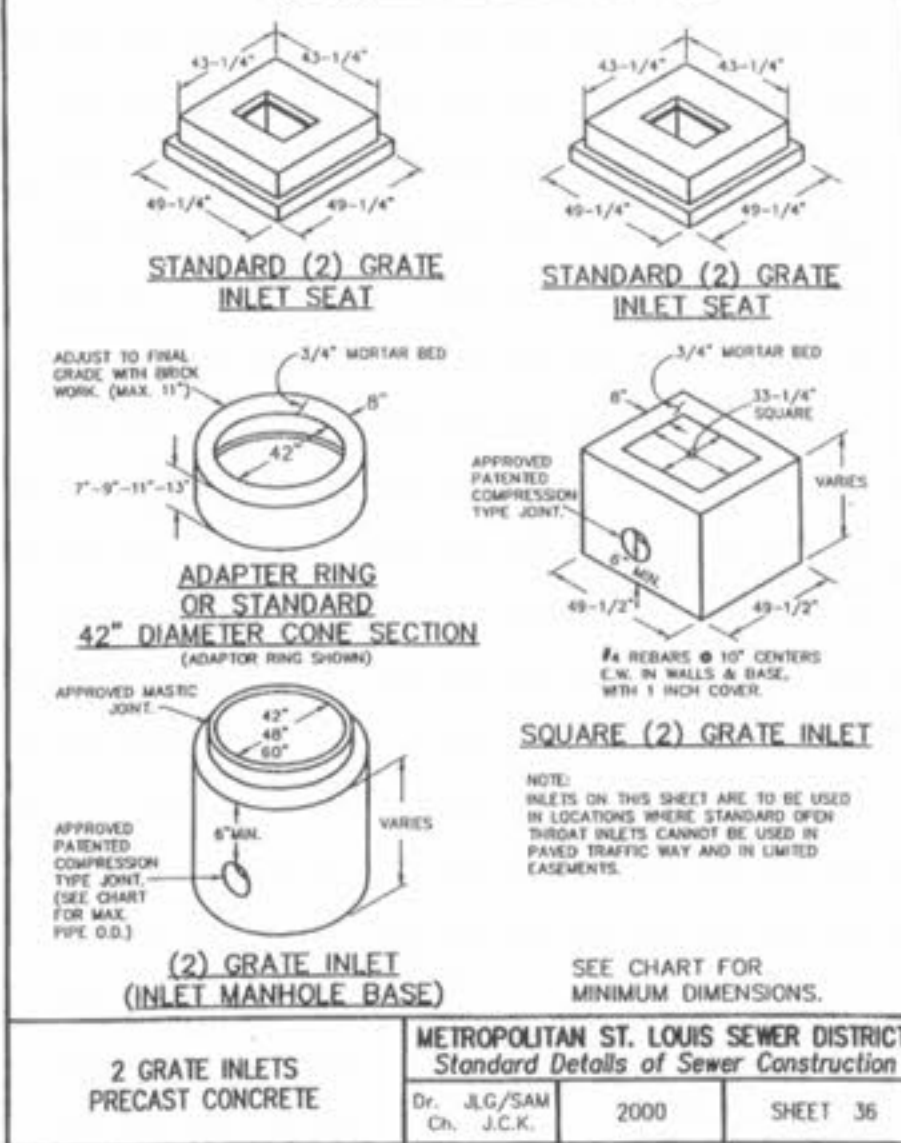
SEE SHEET 35 FOR DETAILS (SEE SHEET 36 FOR DETAILS) (SEE SHEET 37 FOR DETAILS)



AREA INLET PRECAST CONCRETE

Metropolitan St. Louis Sewer District Standard Details of Sewer Construction

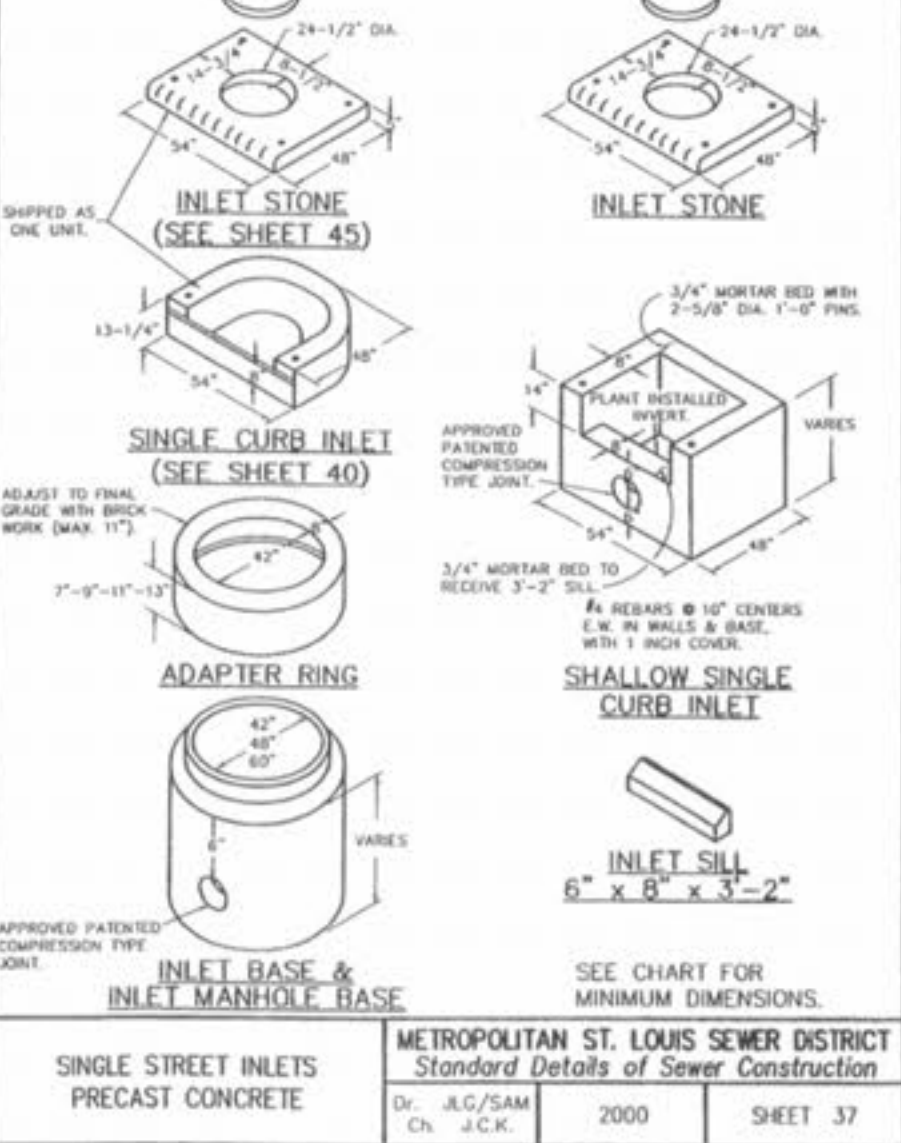
Dr. J.G./SAM Ch. J.C.K. 2000 SHEET 35



2 GRATE INLETS PRECAST CONCRETE

Metropolitan St. Louis Sewer District Standard Details of Sewer Construction

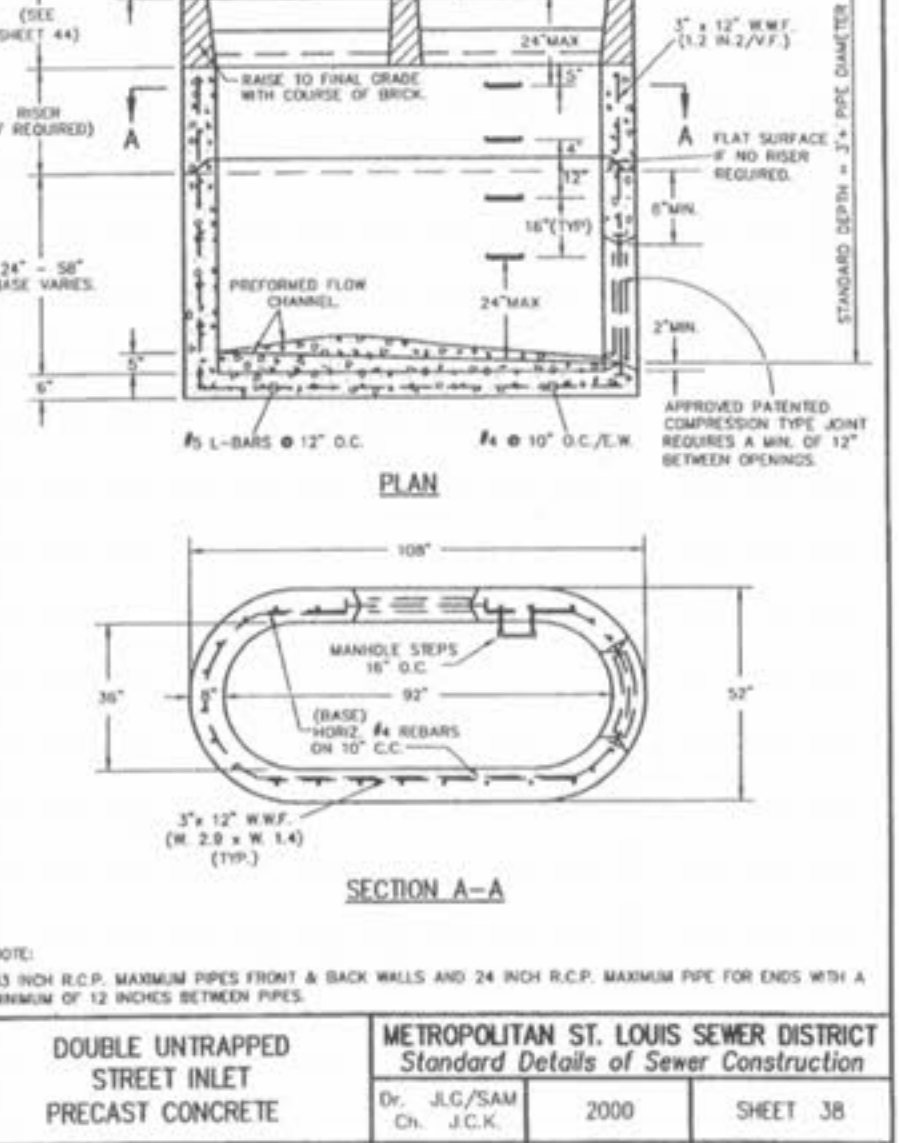
Dr. J.G./SAM Ch. J.C.K. 2000 SHEET 36



SINGLE STREET INLETS PRECAST CONCRETE

Metropolitan St. Louis Sewer District Standard Details of Sewer Construction

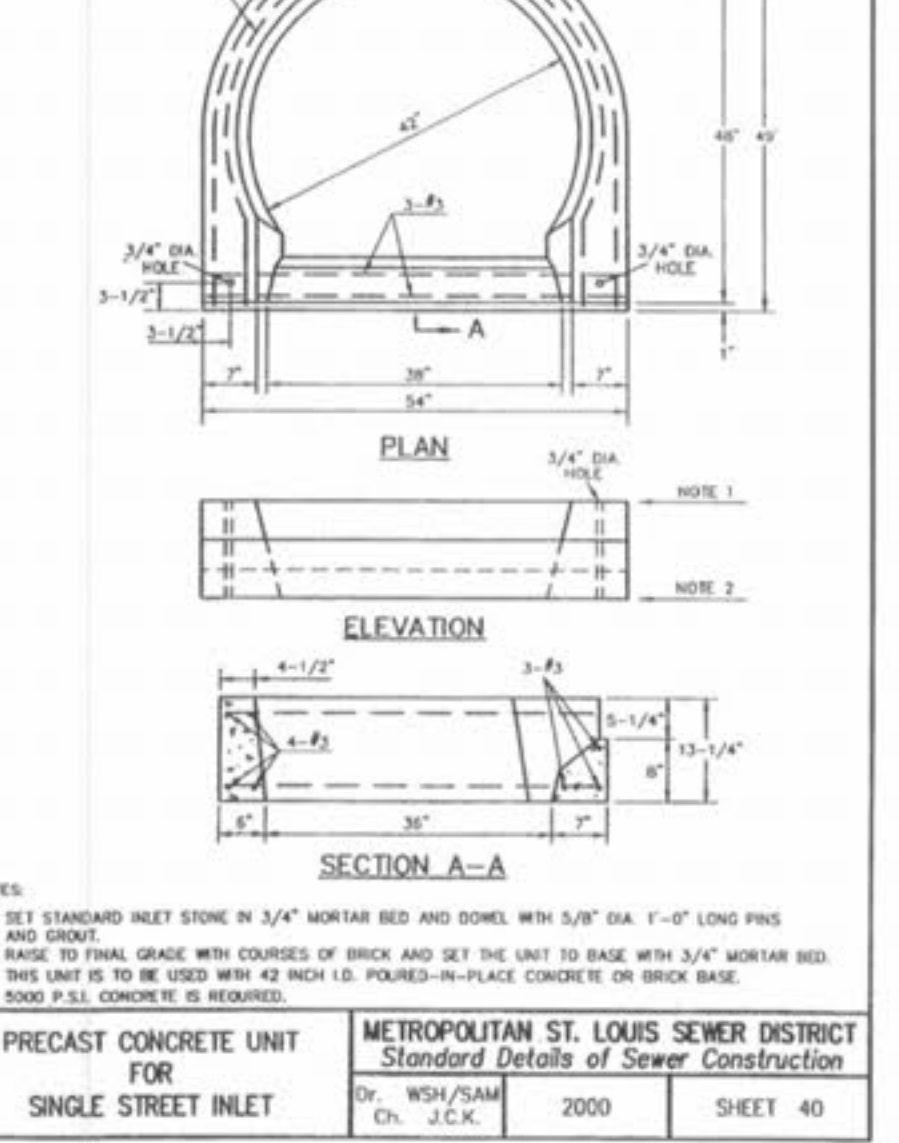
Dr. J.G./SAM Ch. J.C.K. 2000 SHEET 37



DOUBLE UNTRAPPED STREET INLET PRECAST CONCRETE

Metropolitan St. Louis Sewer District Standard Details of Sewer Construction

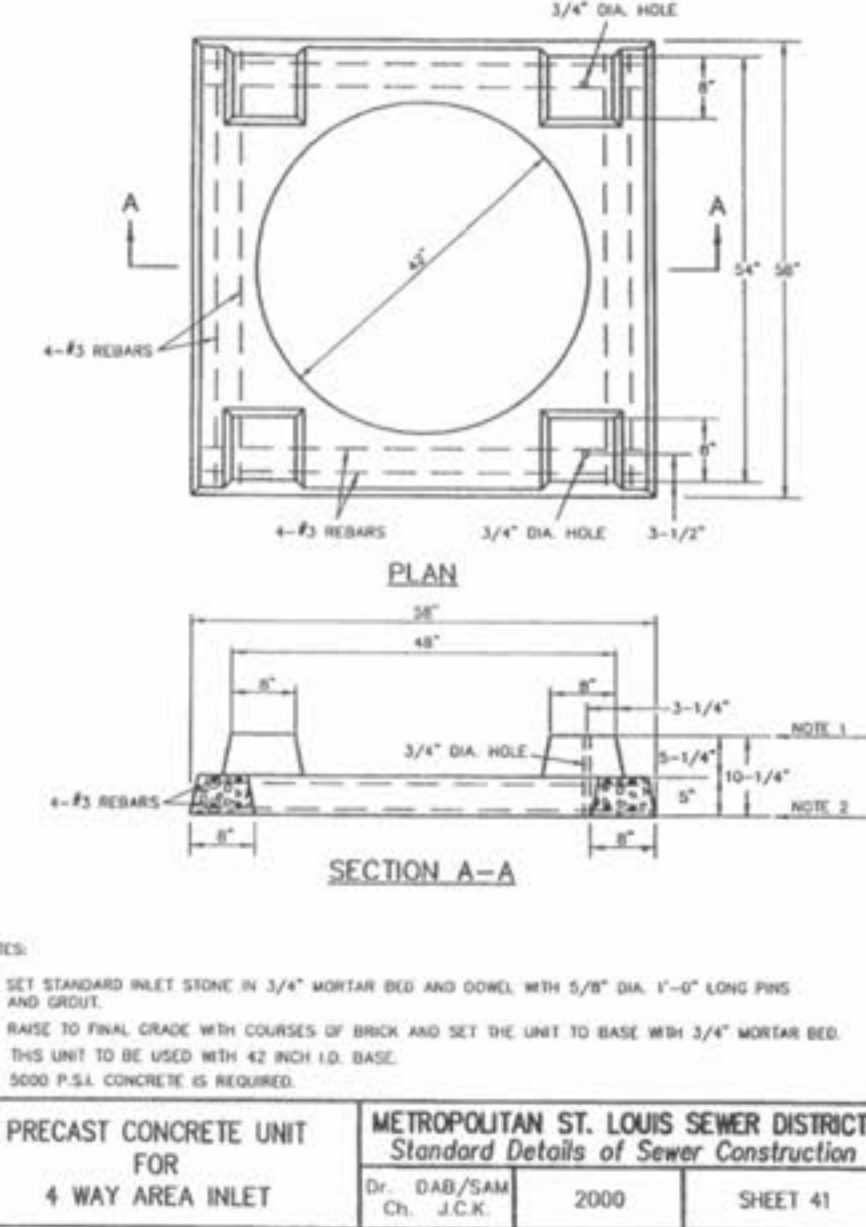
Dr. J.G./SAM Ch. J.C.K. 2000 SHEET 38



PRECAST CONCRETE UNIT FOR SINGLE STREET INLET

Metropolitan St. Louis Sewer District Standard Details of Sewer Construction

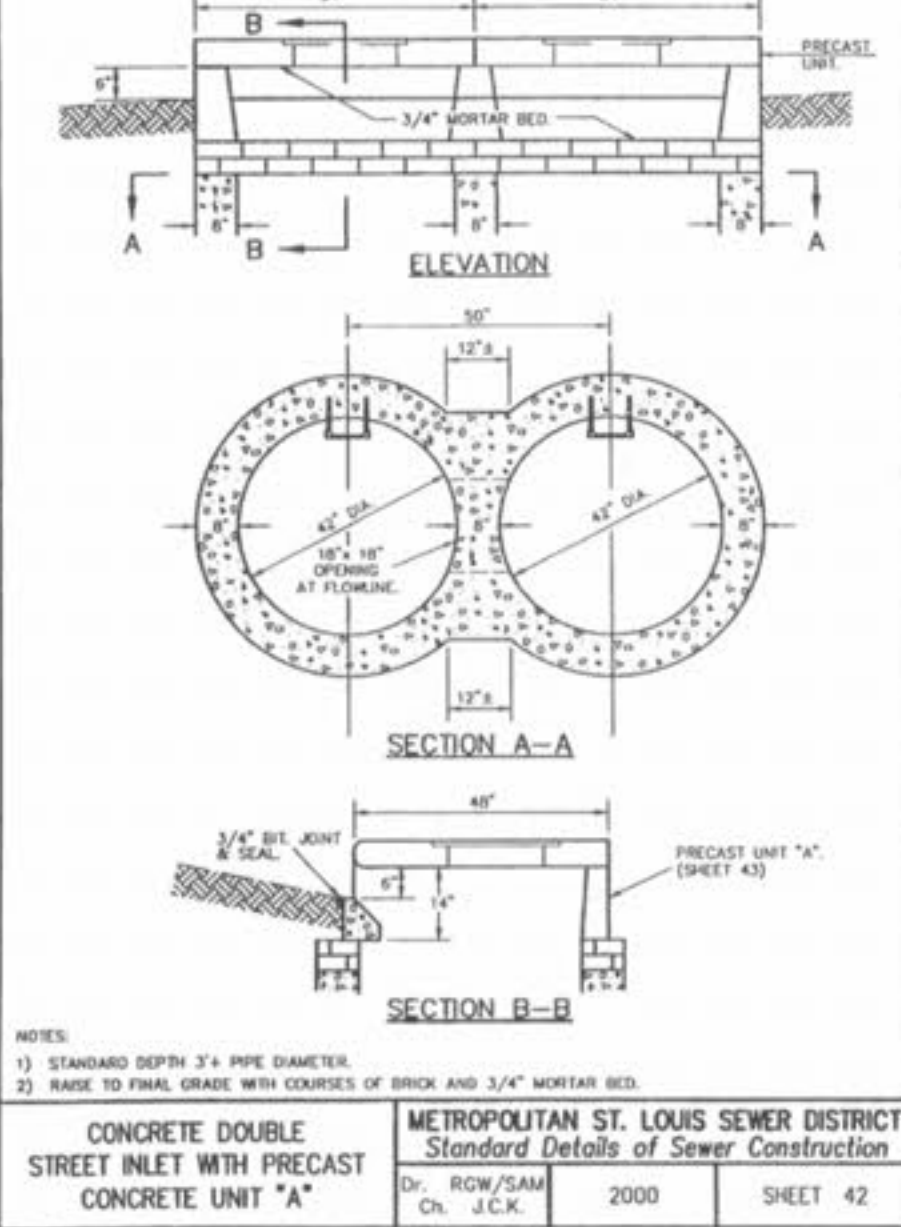
Dr. WSH/SAM Ch. J.C.K. 2000 SHEET 40



PRECAST CONCRETE UNIT FOR 4 WAY AREA INLET

Metropolitan St. Louis Sewer District Standard Details of Sewer Construction

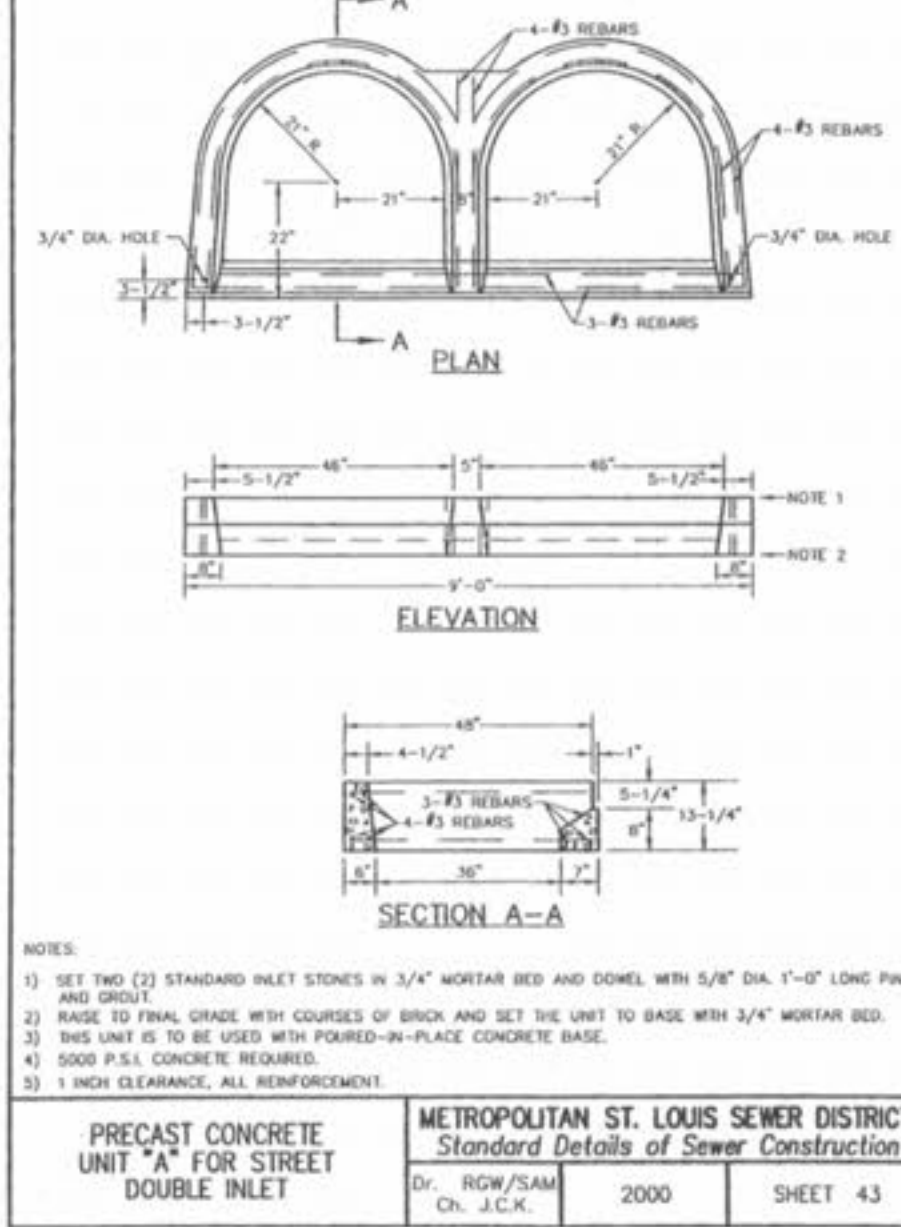
Dr. DAB/SAM Ch. J.C.K. 2000 SHEET 41



CONCRETE DOUBLE STREET INLET WITH PRECAST CONCRETE UNIT 'A'

Metropolitan St. Louis Sewer District Standard Details of Sewer Construction

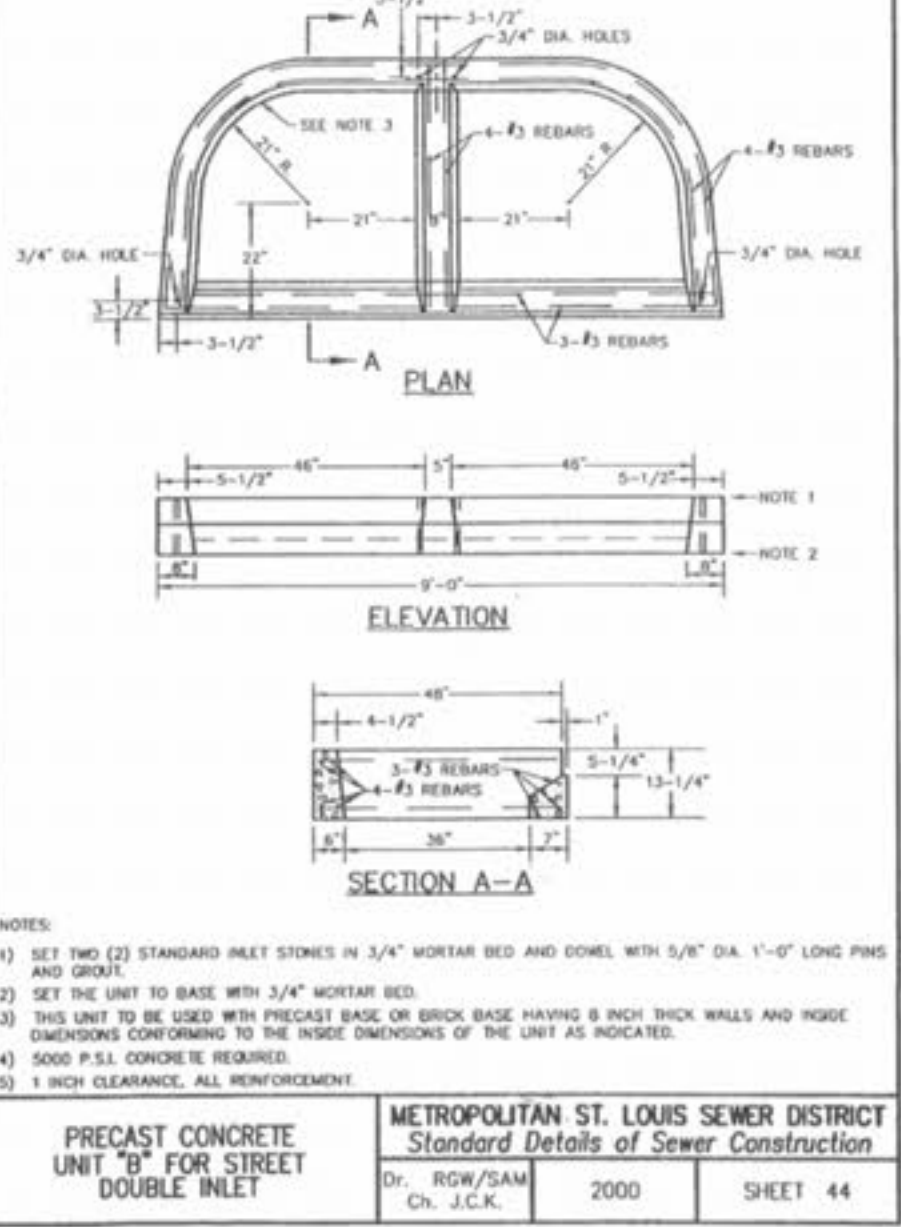
Dr. RW/SAM Ch. J.C.K. 2000 SHEET 42



PRECAST CONCRETE UNIT 'A' FOR STREET DOUBLE INLET

Metropolitan St. Louis Sewer District Standard Details of Sewer Construction

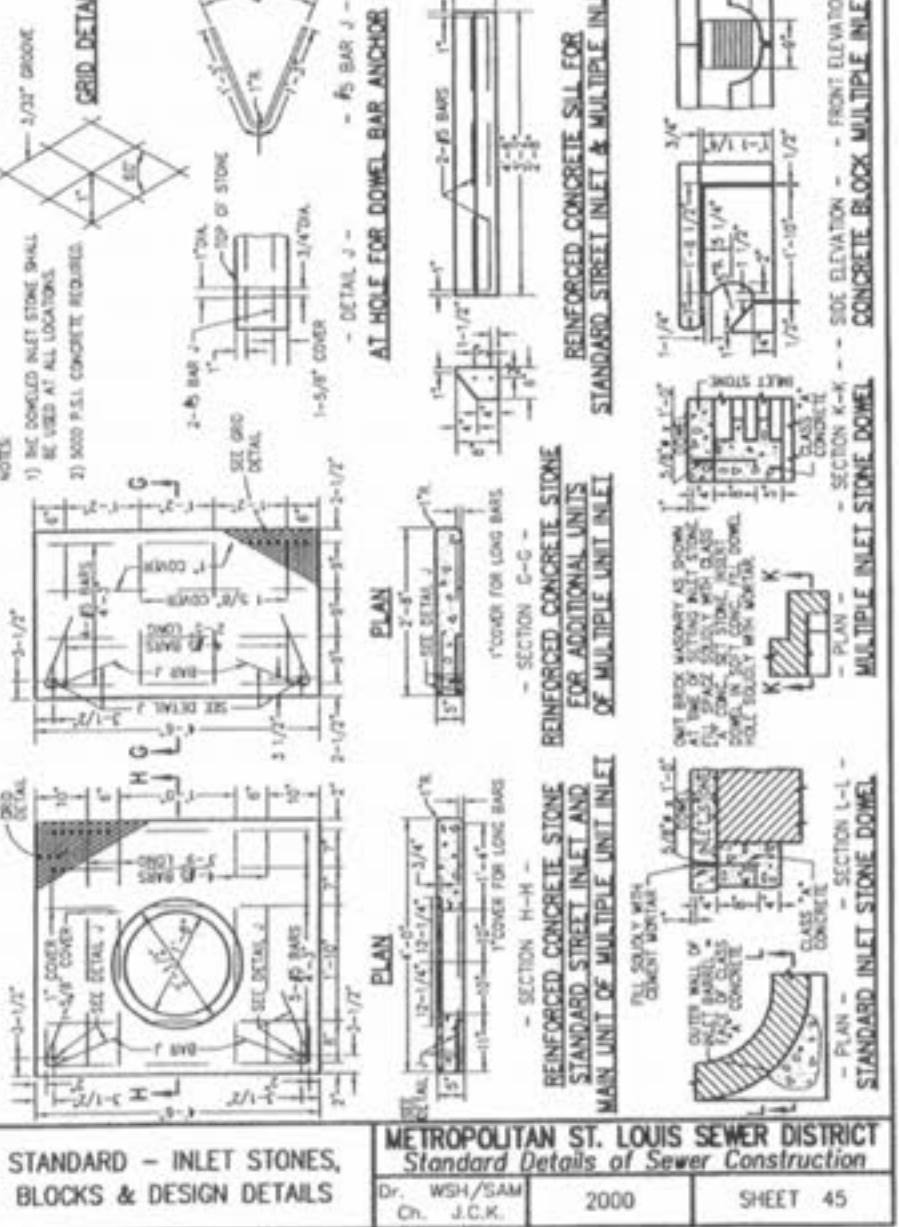
Dr. RW/SAM Ch. J.C.K. 2000 SHEET 43



PRECAST CONCRETE UNIT 'B' FOR STREET DOUBLE INLET

Metropolitan St. Louis Sewer District Standard Details of Sewer Construction

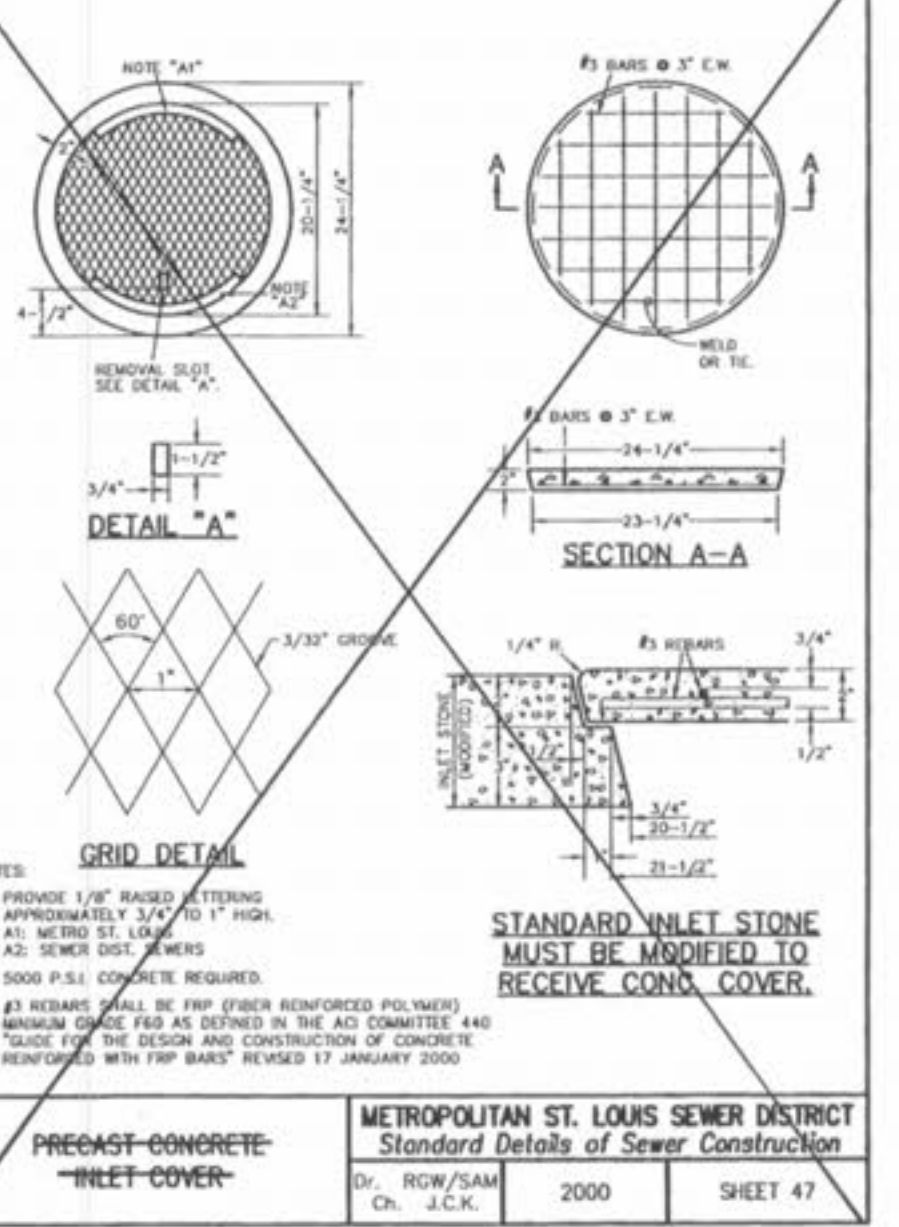
Dr. RW/SAM Ch. J.C.K. 2000 SHEET 44



STANDARD - INLET STONES, BLOCKS & DESIGN DETAILS

Metropolitan St. Louis Sewer District Standard Details of Sewer Construction

Dr. WSH/SAM Ch. J.C.K. 2000 SHEET 45



PRECAST CONCRETE INLET COVER

Metropolitan St. Louis Sewer District Standard Details of Sewer Construction

Dr. RW/SAM Ch. J.C.K. 2000 SHEET 47

MAGNOLIA STORM 2 DETAILS

ST. CHARLES ENGINEERING & SURVEYING, INC.  
801 S. FIFTH STREET, SUITE 202  
ST. CHARLES, MO. 63301  
TEL: (636) 947-0607 FAX: (636) 947-2448



ORDER NO. 08-0498  
DATE 12/1/03  
D-4